



SERVICE MANUAL

AM150

TYPE: YS1007

WEB ACCESS: <http://www.yorkville.com>

WORLD HEADQUARTERS CANADA

Yorkville Sound
550 Granite Court
Pickering, Ontario
L1W-3Y8 CANADA

Voice: (905) 837-8481
Fax: (905) 837-8746

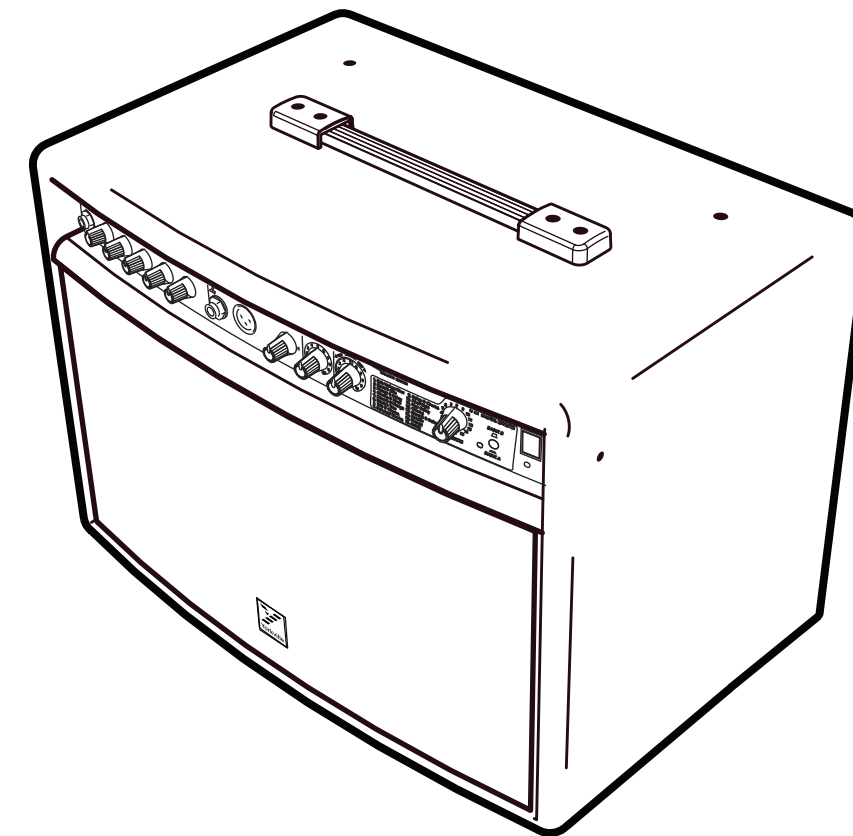
U.S.A.

Yorkville Sound Inc.
4625 Witmer Industrial Estate
Niagara Falls, New York
14305 USA

Voice: (716) 297-2920
Fax: (716) 297-3689



Quality and Innovation Since 1963
Printed in Canada



IMPORTANT SAFETY INSTRUCTIONS



INSTRUCTIONS PERTAINING TO A RISK OF FIRE, ELECTRIC SHOCK, OR INJURY TO PERSONS.

INSTRUCTIONS RELATIVES AU RISQUE DE FEU, CHOC ÉLECTRIQUE, OU BLESSURES AUX PERSONNES.

CAUTION:

TO REDUCE THE RISK OF ELECTRIC SHOCK, DO NOT REMOVE COVER (OR BACK). NO USER SERVICEABLE PARTS INSIDE.

REFER SERVICING TO QUALIFIED SERVICE PERSONNEL.

AVIS:

AFIN DE REDUIRE LES RISQUE DE CHOC ELECTRIQUE, N'ENLEVEZ PAS LE COUVERT (OU LE PANNEAU ARRIERE). NE CONTIENT AUCUNE PIECE REPARABLE PAR L'UTILISATEUR.

CONSULTEZ UN TECHNICIEN QUALIFIE POUR L'ENTRETIEN.

Read Instructions:

The *Owner's Manual* should be read and understood before operation of your unit. Please, save these instructions for future reference.

Packaging:

Keep the box and packaging materials, in case the unit needs to be returned for service.

Warning:

When using electric products, basic precautions should always be followed, including the following:

Power Sources:

Your unit should be connected to a power source only of the voltage specified in the owners manual or as marked on the unit. This unit has a polarized plug. Do not use with an extension cord or receptacle unless the plug can be fully inserted. Precautions should be taken so that the grounding scheme on the unit is not defeated.

Hazards:

Do not place this product on an unstable cart, stand, tripod, bracket or table. The product may fall, causing serious personal injury and serious damage to the product. Use only with cart, stand, tripod, bracket, or table recommended by the manufacturer or sold with the product. Follow the manufacturer's instructions when installing the product and use mounting accessories recommended by the manufacturer.

The apparatus should not be exposed to dripping or splashing water; no objects filled with liquids should be placed on the apparatus.

Terminals marked with the "lightning bolt" are hazardous live; the external wiring connected to these terminals require installation by an instructed person or the use of ready made leads or cords.

No naked flame sources, such as lighted candles, should be placed on the apparatus.

Power Cord:

The AC supply cord should be routed so that it is unlikely that it will be damaged. If the AC supply cord is damaged **DO NOT OPERATE THE UNIT.**

Service:

The unit should be serviced only by qualified service personnel.

Veillez lire le manuel:

Il contient des informations qui devraient étre comprises avant l'opération de votre appareil. Conservez S.V.P. ces instructions pour consultations ultérieures

Emballage:

Conservez la boîte au cas ou l'appareil devait étre retourner pour réparation.

Attention:

Lors de l'utilisation de produits électrique, assurez-vous d'adhérer à des précautions de bases incluant celle qui suivent:

Alimentation:

L'appareil ne doit étre branché qu'à une source d'alimentation correspondant au voltage spécifié dans le manuel ou tel qu'indiqué sur l'appareil. Cet appareil est équipé d'une prise d'alimentation polarisée. Ne pas utiliser cet appareil avec un cordon de raccordement à moins qu'il soit possible d'insérer complètement les trois lames. Des précautions doivent étre prises afin d'éviter que le système de mise à la terre de l'appareil ne soit désengagé.

Risque:

Ne pas placer cet appareil sur un chariot, un support, un trépied ou une table instables. L'appareil pourrait tomber et blesser quelqu'un ou subir des dommages importants. Utiliser seulement un chariot, un support, un trépied ou une table recommandés par le fabricant ou vendus avec le produit. Suivre les instructions du fabricant pour installer l'appareil et utiliser les accessoires recommandés par le fabricant.

Il convient de ne pas placer sur l'appareil de sources de flammes nues, telles que des bougies allumées.

L'appareil ne doit pas étre exposé à des égouttements d'eau ou des éclaboussures et qu'aucun objet rempli de liquide tel que des vases ne doit étre placé sur l'appareil.

Les dispositifs marqués d'une symbole "d'éclair" sont des parties dangereuses au toucher et que les câblages extérieurs connectés à ces dispositifs de connection extérieure doivent étre effectués par un opérateur formé ou en utilisant des cordons déjà préparés.

Cordon d'alimentation:

Évitez d'endommager le cordon d'alimentation. **N'UTILISEZ PAS L'APPAREIL** si le cordon d'alimentation est endommagé.

Service:

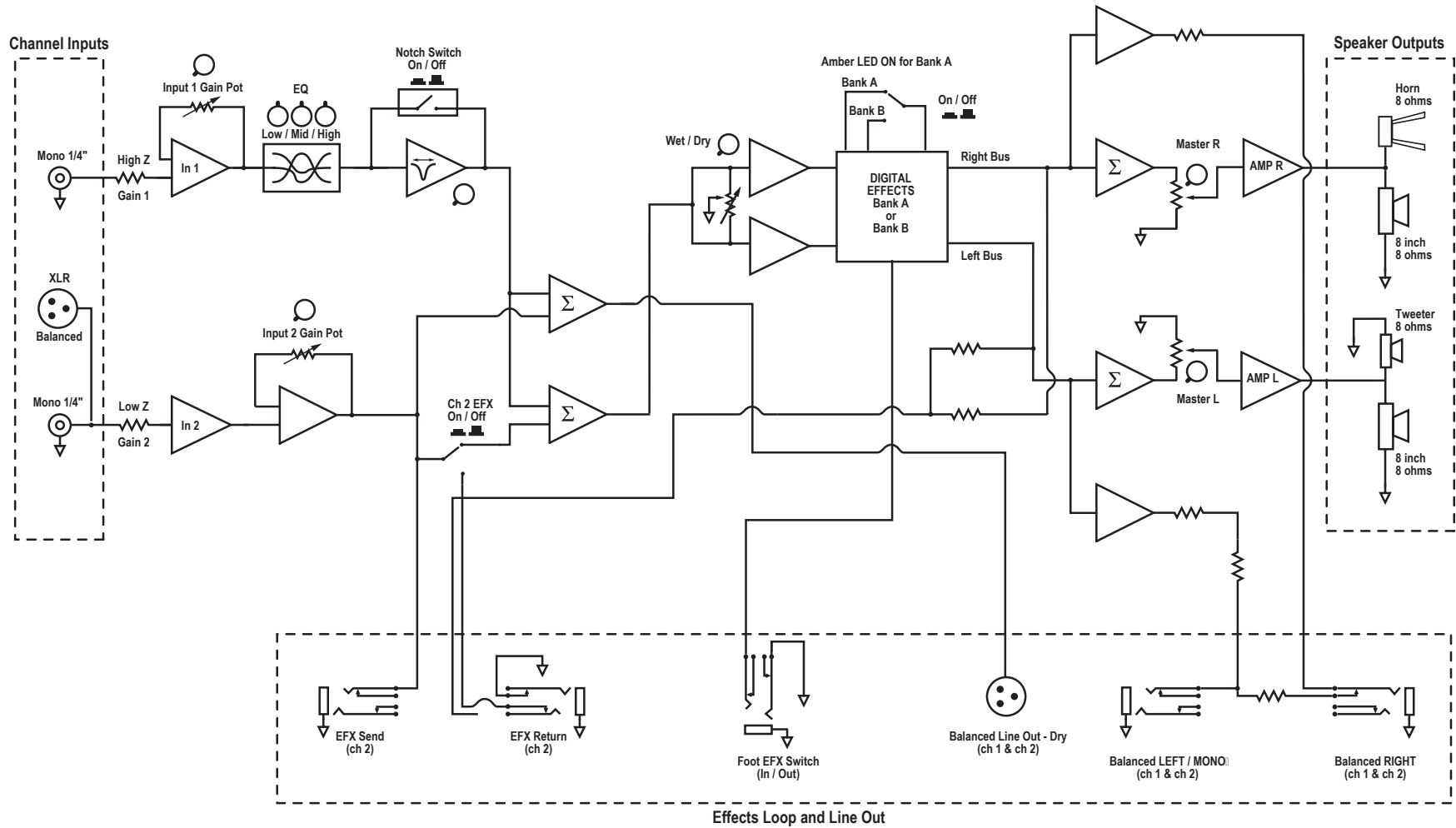
Consultez un technicien qualifié pour l'entretien de votre appareil.

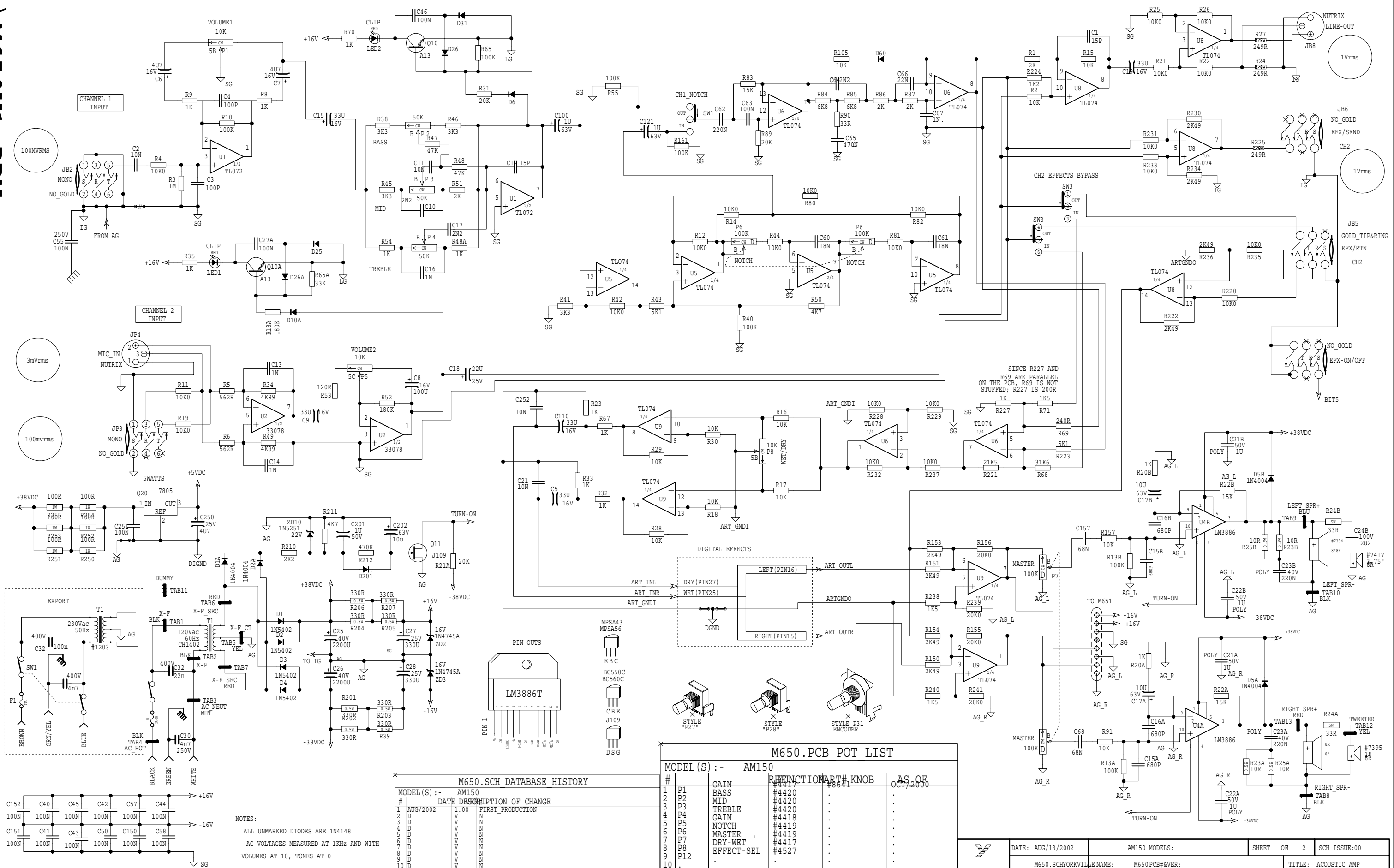
AM150 Parts List 5/12/2003

YS #	Description	Qty.	YS #	Description	Qty.	YS #	Description	Qty.
3507	28 PIN X .6" I.C DEEP SOCKET	1	3923	XLR MALE PCB MT HORZ MTHOLE-V SNAP	1	6127	1/4W 470K 5%MINI T&R RES	2
3550	44PIN PLCC SOCKET	1	3451	EYELET SMALL 0.089 OD PLATED	7	4844	1/4W 1M 5% T&R RES	1
3557	84PIN PLCC SOCKET	1	3414	INTERNATIONAL PC MOUNT FUSEHOLDER	2	3640	.3" 8C-26AWG RIB 1/4" S&R 0.1"	1
3571	28 PIN X .6" I.C. SOCKET	1	2425	2.0 AMP SLO-BLO .25X1.25 FUSE	1	3608	10" 9C-24AWG RIBBON HITMP 0.1"	1
6994	CRYSTAL CODEC 44PIN PLCC	1	8459	9.5" STRAP HANDLE, PLASTIC COVERS	1	8842	#4 X 5/16 PAN QUAD TYPE A JS500 BLK	4
8803	8-32 X 3/8 PAN QUAD TAPTITE JS500	2	8604	10-32 T NUT	5	8832	6-32 X 1/4 PAN PH TAPTITE JS500	1
6940	16MHZ CRYSTAL VERT 2-PIN .25"CASE	1	7395	1" ?R ??W POWERLINE COMP. DRIVER	1	8801	6-32 X 3/8 PAN PH TAPTITE JS500	7
6405	RED 3MM LED 1V7 5MA BRT	2	7396	HORN 6 1/8" X 7 11/16" MOULDED ABS	1	8829	6-32 X 3/8 FLAT PH TAPTITE BO#4 HEA	4
5994	YEL 3MM LED 1V9 20MA .12SPCR T&R	1	7417	8R 30W TWEETER PIEZO TLC 1	1	8806	6-32 X 1/2 PAN PH TAPTITE JS500	1
6408	GRN 3MM LED 1V9 5MA FROSTED	1	3745	DUAL XSISOR PBL SPRING PLATE ZN	2	8828	6-32 X 3/4 PAN PH TAPTITE JS500	3
6825	1N4148 75V 0A45 DIODE T&R	9	3804	SNAP ON 1.5" INSULATING BUSHING	1	8778	6-32 X 1.25 PN PH TAPTITE ZN	2
6438	1N4007 400V 1A0 DIODE T&R	4	3645	AC SOCKET RECEPTACLE WITH 0.250 TAB	1	8876	#6 X 1 1/2 PAN PH TYPE A JS500 BLK	4
6827	1N5402 200V 3A0 DIODE	4	3795	#8 GROUND LUG ZIERICK 505-169	2	8874	8-32 X 1" PAN PHIL TAPTITE JS500	2
6822	1N4745A 16V0 1W0 ZENER 5% T&R	2	3803	NYLON SECUR-A-TACH MINI PLASTIC TIE	1	8749	10-32 X 1/2 QDX PH TAPTITE JS500	1
6463	1N5251BRL 22V0 0W5 ZENER 5% T&R	1	3810	4" NYLON CABLE TIE	7	8753	#10 X 1/2 PAN PH TYPE A JS500 BLACK	16
6738	MC7805CT TO20 P 5V0 REG V1	1	8636	BUTTON KNOB FLAT BLACK	3	8756	#10 X 3/4 PAN PH TYPE A BLACK OXIDE	8
5103	MPSA06 TO92 NPN TRAN T&R TA	1	8641	AQUA KNOB FOR "NEW" ACOUSTIC SERIE	9	8781	#10 X 7/8 FLAT PHIL TYPE A JS500BLK	6
5105	MPSA13 TO92 NPN DARL T&R TA	3	3426	8' 3/16 SJT AC LINE CORD REMOV-B-CSA	1	8912	10-32 X 1 FLAT PHIL MS JS500 BLK	2
5122	J109 TO92 NCH JFET T&R TC	1		"Y" LOGO ACOUSTIC SERIES SML. DOMED	1	8752	10-32 X 2 1/2 PAN PHIL MS JS500	2
6840	MC33078P IC DUAL OP AMP	1	8910	YORKVILLE PRODUCT MANUAL	1	8770	1/4-20 X 1 5/16 TRUSS PH MS JS500	3
6882	TL072CP IC FET DUAL OP AMP	2	8900	YORKVILLE WARRANTY CARD 2-YR UNLTD.	1	8905	YORKVILLE PRODUCT SCHEMATIC	1
6889	TL074CN IC QUAD O/A.T.I ONLY	4	3672	6 CIR CABLE HOLDER .098	2	3833	8 X 3/8 (250 OD..171 ID)NY SPACER	7
6943	74HC374N IC OCTAL DTYPE LATCH	1	3674	9 CIR CABLE HOLDER .098	2	7394	8.0 INCH WOOFER	2
6986	27C512 PROM IC YORKVILLE 16X2 PRG	1	3676	8 CIR CABLE HOLDER .098	2	8820	#8 FLAT WASHER JS500	4
6992	1365-102 IC DIGITAL REVERB ASIC	1	8800	6-32 KEPS NUT ZINC	8	8473	#10 BLACK CUPWASHER SWF-10BK	3
6993	1250-101 IC SRAM 32KX8	1	8787	8-32 KEPS NUT ZINC	2	3425	DPDT PUSH SW PCMT BREAK B4 MAKE	3
6474	10R 3% 0W0 PTC THERMISTOR	1	8845	10-32 PEMNUT C-1032-2-Z1	2	3698	SPST ROKR SW QUIK 180" AC PWR BL/BL	1
5402	.15P 100V 10%CAP T&R BEAD NPO	2	8788	1/4-20 KEPS NUT ZINC	1	6757	LM3886 IC 85 WATT POWER AMP	2
5405	.27P 200V 5%CAP T&R RAD CER.2"NPO	2	8898	1/4-20 CAGE NUT C7998142027	3	8779	1/4-20X 2 1/2 CARRIAGE BOLT ZINC	1
5199	100P 100V 2%CAP T&R RAD CER.2"NPO	1	3830	TO218 PREGREASED MICA 56-78-2AP	3	8468	VELCRO STRAP 3/4"x22CM (VELSTRAP)	1
5410	100P 100V 10%CAP T&R BEAD NPO	1	3850	TO-220 PLASTIC TRANSISTOR INSULATOR	1		125VAC DOUBLE INSULATED 168VA TRD	1
5420	680P 50V 10%CAP T&R BEAD NPO	4	8581	CUSTOM PBL TRANSISTOR SPACER	2			
5206	.1N 400V 5%CAP T&R RAD .2"FLM	1	3818	EMI SUPPRESSION FERRITE BEAD T&R	2			
5422	.1N 50V 10%CAP T&R BEAD NPO	3	4597	22AWG STRAN TC WIR JMP	18			
5208	.2N2 400V 5%CAP T&R RAD .2"FLM	1	4599	22AWG SOLID SC WIR T&R JMP	77			
5274	.2N2 200V 5%CAP T&R RAD CER.2"NPO	6	4605	1/8W 10R 5% T&R RES	1			
5426	.2N2 50V 10%CAP T&R BEAD Y5R	2	4675	1/2W 10R 5% T&R RES	4			
6451	.4N7 250V 20%CAP BLK 'Y' 10MM AC	1	4816	1/4W 33R 5% T&R RES	1			
5204	.10N 100V 10%CAP T&R RAD .2"FLM	4	4704	5.0W 33R 5% BLK RES	2			
5300	.10N 50V 10%CAP T&R BEAD X7R	3	4735	1.0W 100R 5% T&R RES	6			
5207	.18N 100V 5%CAP T&R RAD .2"FLM	2	4897	1/4W 120R 5% T&R RES	1			
5210	.22N 100V 10%CAP T&R RAD .2"FLM	1	4909	1/4W 200R 5% T&R RES	1			
6435	.22N 275V 20%CAP BLK 'X2' 15MM AC	1	4977	1/4W 220R 5%MINI T&R RES	2			
5310	.68N 50V 10%CAP T&R BEAD X7R	2	4770	1/4W 249R 1% T&R RES	7			
5228	100N 100V 5%CAP T&R RAD .2"FLM	3	4655	1/2W 330R 5% T&R RES	8			
5314	100N 50V 10%CAP T&R BEAD X7R	17	4855	1/4W 330R 5% T&R RES	1			
5865	100N 250V 10%CAP BLK RAD POLY FLM	1	5010	1/4W 330RX9 5% 10PIN SIP RES	1			
5231	.220N 63V 10%CAP T&R RAD .2"FLM	3	4821	1/4W 470R 5% T&R RES	2			
5234	.470N 63V 10%CAP T&R RAD .2"FLM	1	4933	1/4W 470R 5% .2"U T&R RES	1			
5255	.1U 63V 20%CAP T&R RAD .2"EL	2	4799	1/4W 562R 1% T&R RES	2			
5256	.1U 63V 5%CAP T&R RAD .2"FLM	6	4823	1/4W 1K 5% T&R RES	9			
5932	.2U2 100V 10%CAP BLK RAD POLY FLM	1	4981	1/4W 1K 5%MINI T&R RES	4			
5259	.4U7 63V 20%CAP T&R RAD .2"EL	3	6110	1/4W 1K0 1%MINI MF T&R RES	2			
5281	.10U 16V 20%CAP T&R RAD .2"NP	4	4854	1/4W 1K2 5% T&R RES	1			
5945	.10U 63V 20%CAP T&R RAD .2"EL	3	4824	1/4W 1K5 5% T&R RES	4			
5260	.22U 50V 20%CAP T&R RAD .2"EL	1	4808	1/4W 2K 5% T&R RES	4			
5961	.33U 16V 20%CAP T&R RAD .2"NP	7	4847	1/4W 2K2 5% T&R RES	1			
5267	100U 25V 20%CAP T&R RAD .2"EL	1	4883	1/4W 2K49 1% T&R RES	10			
5879	100U 16V 20%CAP T&R 8X7MM .2"EL	2	6114	1/4W 2K49 1%MINI MF T&R RES	4			
5630	330U 25V 20%CAP BLK 10X13MM EL	2	4826	1/4W 3K3 5% T&R RES	4			
5887	2200U 50V 20%CAP BLK 18X27MM EL	2	4827	1/4W 4K7 5% T&R RES	2			
4527	ROT GRY 20MM 4BIT ENCODER P31	1	4639	1/4W 4K99 1% T&R RES	2			
4417	.10K 5B LIN 9MM HORIZONTAL P28	2	4893	1/4W 5K1 5% T&R RES	2			
4418	.10K 5C R/A 9MM HORIZONTAL P28	1	4978	1/4W 6K8 5%MINI T&R RES	3			
4420	.50K B LIN 9MM HORIZONTAL P28	3	4800	1/4W 10K0 1% T&R RES	19			
4419	100K B LIN 12MM HORIZONTAL STP27	2	4829	1/4W 10K 5% T&R RES	9			
711	30 X 50 X 1.5MIL PLASTIC BAG	1	4983	1/4W 10K 5%MINI T&R RES	1			
8547	PLASTIC FOOT BLACK, POLYETHYLENE	4	5011	1/4W 10KX9 2% 10PIN SIP RES	1			
8570	CORNER, 2 LEGS NOTCED LIP BLACK	8	6116	1/4W 10K0 1%MINI MF T&R RES	9			
3463	CLIP 110X020 18-22AWG DISCO/INSL	2	4830	1/4W 15K 5% T&R RES	3			
3478	CLIP 205/187X032 18-22AWG DISCO/INS	2	4885	1/4W 20K 5% T&R RES	2			
3489	CLIP 250X032 18-22AWG DISCO/INSL	11	6123	1/4W 20K0 1%MINI MF T&R RES	3			
3491	CLIP 205/187X020 18-22AWG DISCO/INS	8	4777	1/4W 21K5 1% T&R RES	1			
3601	RING TERMINAL 16AWG WIRE & #8 SCREW	1	4917	1/4W 31K6 1% T&R RES	1			
3682	250 MALE PCB TAB REEL	14	4840	1/4W 33K 5% T&R RES	1			
3498	1/4" JCK PCB MT HORZ	4	4834	1/4W 47K 5% T&R RES	2			
3523	1/4" JCK PCB MT HORZ GOLD T	2	4838	1/4W 100K 5% T&R RES	5			
3528	1/4" JCK PCB MT HORZ GOLD TR	1	4942	1/4W 100K 5% .2"U T&R RES	1			
3417	6-32 SCREW TERMINAL PC MNT STRAIGHT	3	6120	1/4W 100K 5%MINI T&R RES	2			
3660	XLR FEML PCB MT HORZ	1	4796	1/4W 180K 5%MINI T&R RES	2			

Block Diagram for AM150

DESIGNED AND MANUFACTURED BY YORKVILLE SOUND





100mVrms

3mVrms

100mVrms

1Vrms

1Vrms

SINCE R227 AND R69 ARE PARALLEL ON THE PCB, R69 IS NOT STUFFED; R227 IS 200R

M650.PCB POT LIST

MODEL(S) :-	AM150				
#	REF	FUNCTION	PART#	KNOB	AS OF
1	P1	GAIN	#4420		06/2000
2	P2	BASS	#4420		
3	P3	MID	#4420		
4	P4	TREBLE	#4420		
5	P5	GAIN	#4418		
6	P6	NOTCH	#4419		
7	P7	MASTER	#4419		
8	P8	DRY-WET	#4417		
9	P12	EFFECT-SEL	#4527		
10

M650.SCH DATABASE HISTORY

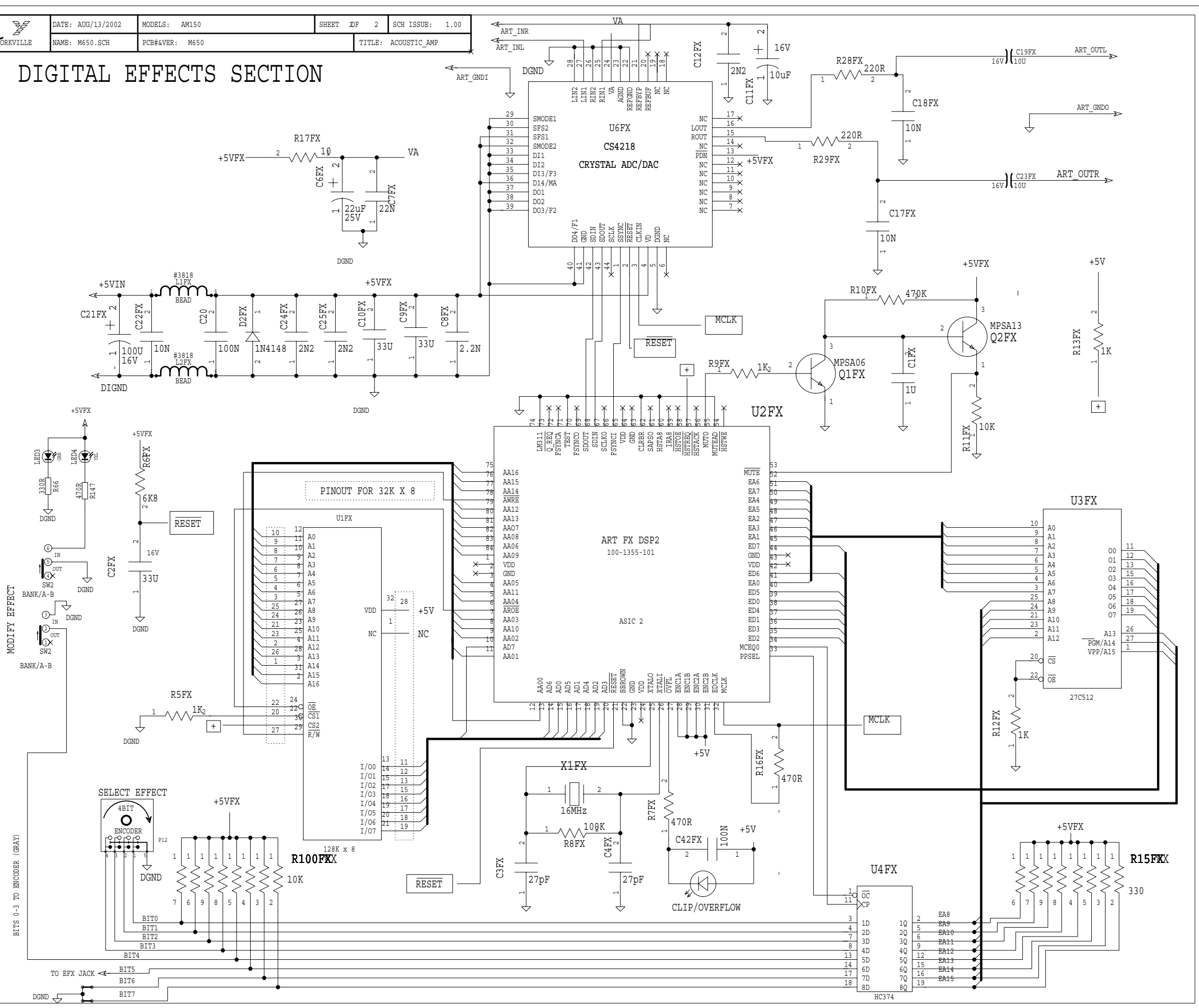
MODEL(S) :-	AM150	
#	DATE	DESCRIPTION OF CHANGE
1	AUG/2002	1.00 FIRST PRODUCTION
2	D	N
3	D	N
4	D	N
5	D	N
6	D	N
7	D	N
8	D	N
9	D	N
10	D	N

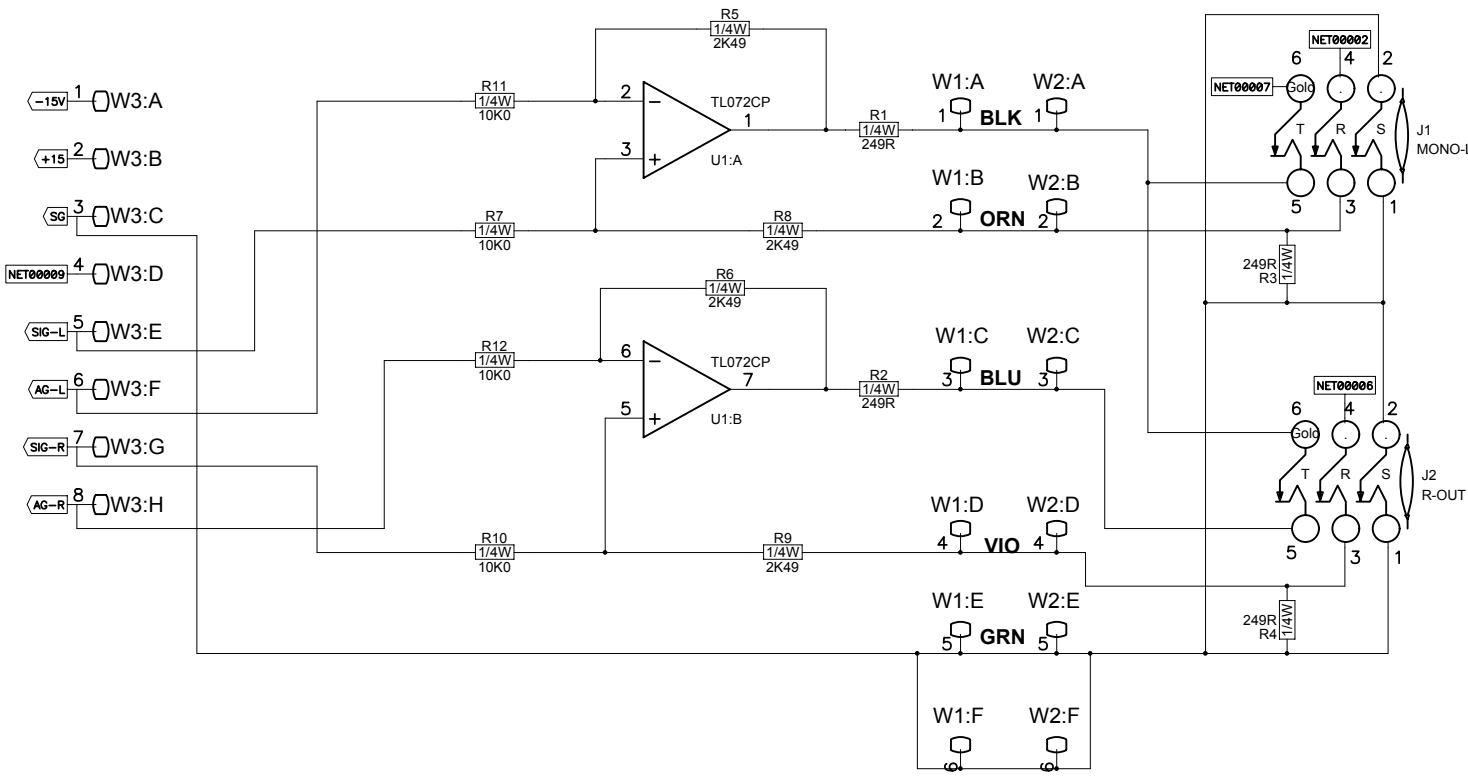
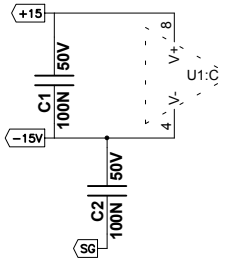
NOTES:
ALL UNMARKED DIODES ARE 1N4148
AC VOLTAGES MEASURED AT 1KHz AND WITH VOLUMES AT 10, TONES AT 0

U:\M650\FXV1.PRN

DATE: AUG/13/2002	MODELS: AM150	SHEET 2 OF 2	SCH ISSUE: 1.00
YORKVILLE	NAME: M650.SCH	PCB#&VER: M650	TITLE: ACOUSTIC_AMP

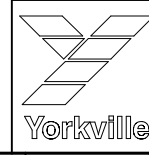
DIGITAL EFFECTS SECTION





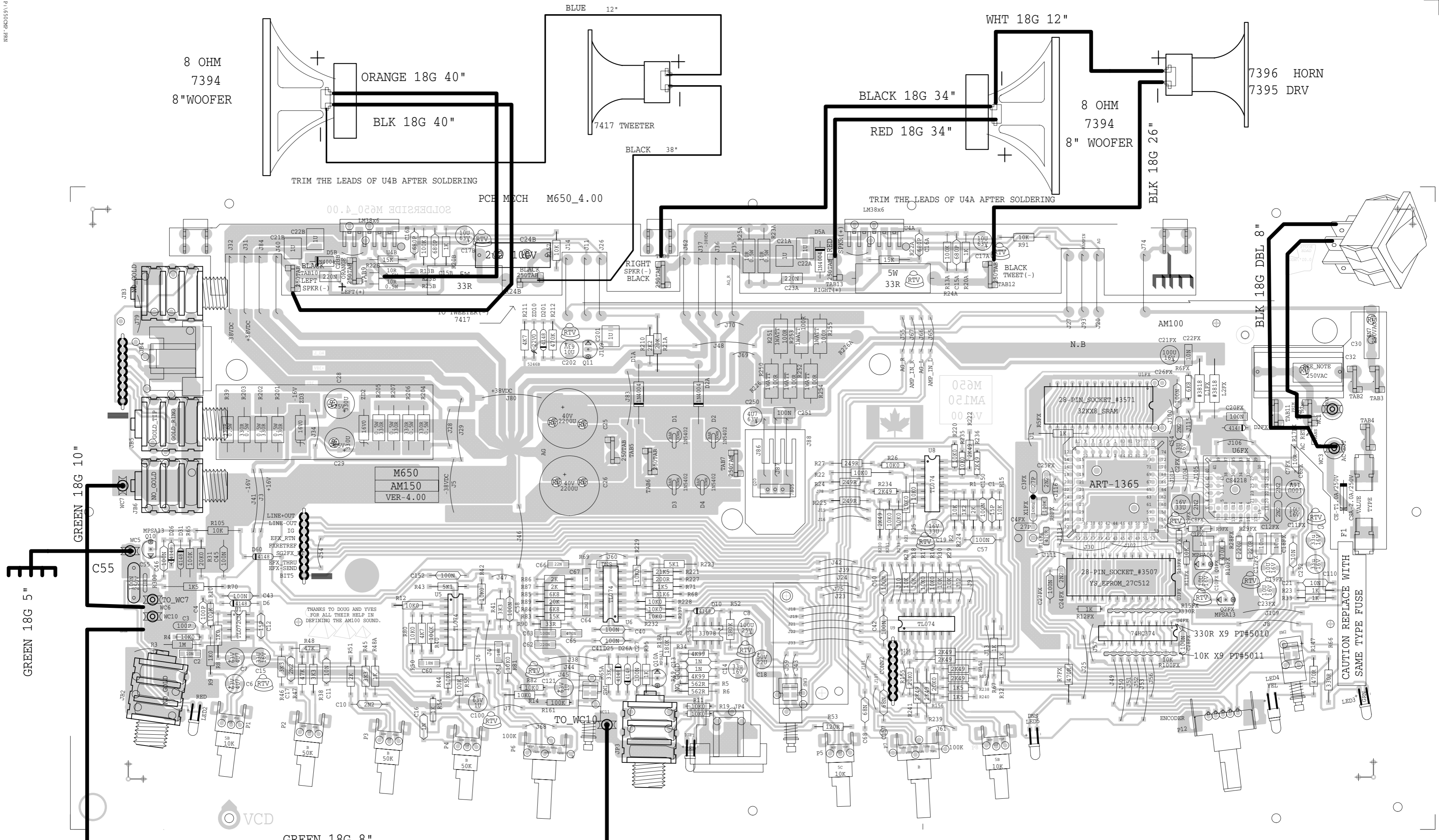
AG = AMP- GND
SG = SIGNAL GND

M651.PCB_DATABASE_HISTORY			
MODEL(S):-		AM150	
#	DATE	VER#	DESCRIPTION OF CHANGE
1	AUG-14-2002	1.00	FIRST PRODUCTION
2	D	V	N
3	D	V	N
4	D	V	N
5	D	V	N
6	D	V	N
7	D	V	N
8	D	V	N
9	D	V	N
10	D	V	N
11	D	V	N
12	D	V	N
13	D	V	N



Product **AM150**

Sheet1	PCB# M651	Sheet 1 of 2
Date: Wed Aug 14, 2002		Rev: V1.00
Filename: AM150 V1.00.sch2001		



GREEN 18G 5"

GREEN 18G 10"

GREEN 18G 8"

M650.PCB_DATABASE_HISTORY

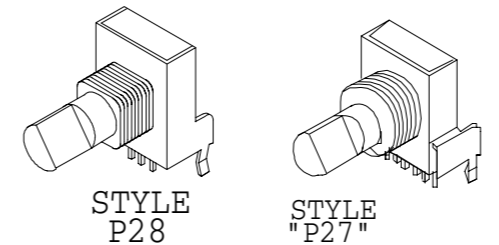
#	DATE	VER#	DESCRIPTION OF CHANGE
1	JUN/2002	1.P1	FIRST PROTOTYPE
2	JAN/15/03	2.00	PC#6584 YEL-LED#6407->#5994
3	APR/17/03	3.00	FIX MISSING TRACE @ LED3
4	SEP/04/03	4.00	PC#6606_ENLARGE_-38V_TRACE_&_MASK
5			
6			
7			
8			
9			
10			
11			
12			
13			
14			
15			
16			
17			
18			
19			
20			
21			
22			
23			
24			
25			

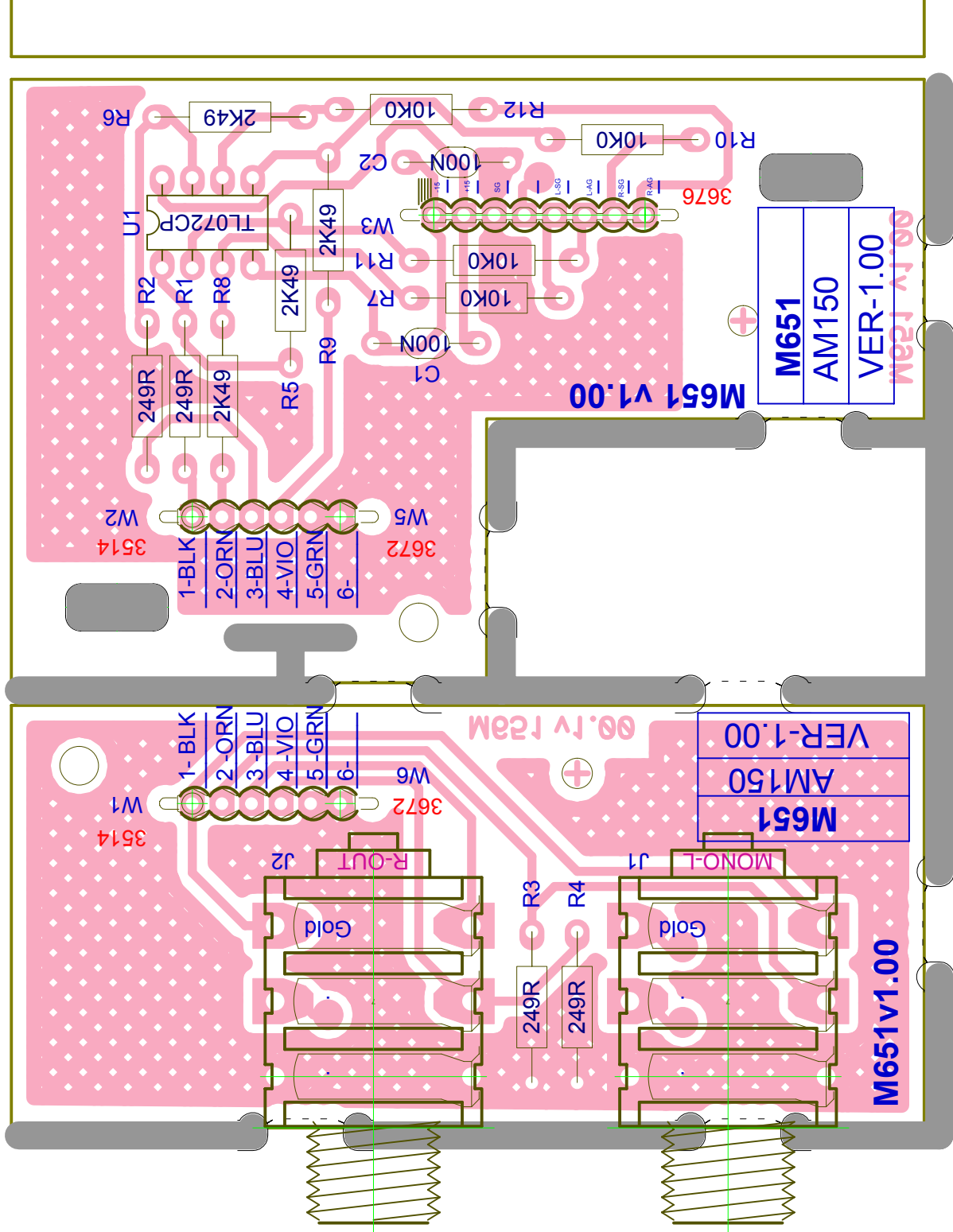
M650.PCB_POT_LIST

REF	FUNCTION	PART#	KNOB	AS OF
P1	GAIN_CH1	4417	8641	JUN/2002
P2	GAIN_CH2	4418	8641	
P5	BASS_MID_TREB	4420	8641	
P6, P7	NOTCH_MASTER	4419	8641	
P8	DRY/WET	4417	8641	
P12	EFFECTS	4527	8641	

PRODUCTION NOTES

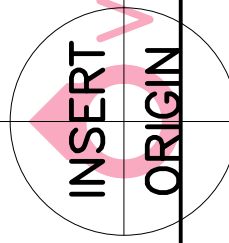
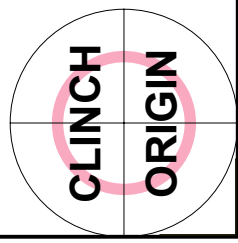
- 1) RTV ALL 0.2" ELECTROLYTIC CAPS. RTV CAPS TO SOCKET IN DIG. EFFECTS AREA
- 2) DO NOT STUFF LED5, R69
- 3) TRIM THE LEADS OF U4A AND U4B AFTER SOLDERING
- 4) FOR CE USE 100N 250V PT#5242 FOR C32 AC CAP
- 5) FOR NA USE 22N 275V PT#6435 FOR C32 AC CAP
- 6) DO NOT CUT THE LEADS OF D1, D2, D3, D4 BEND OVER FLAT TO BOARD
- 7) ADD M651 TO M650 BEFORE WAVE SOLDERING





PRODUCTION NOTES

- 1-- SOLDER AND TEST M651 BOARD FIRST
- 2-- ADD M651 BOARD TO M650 BOARD AND WAVE SOLDER.

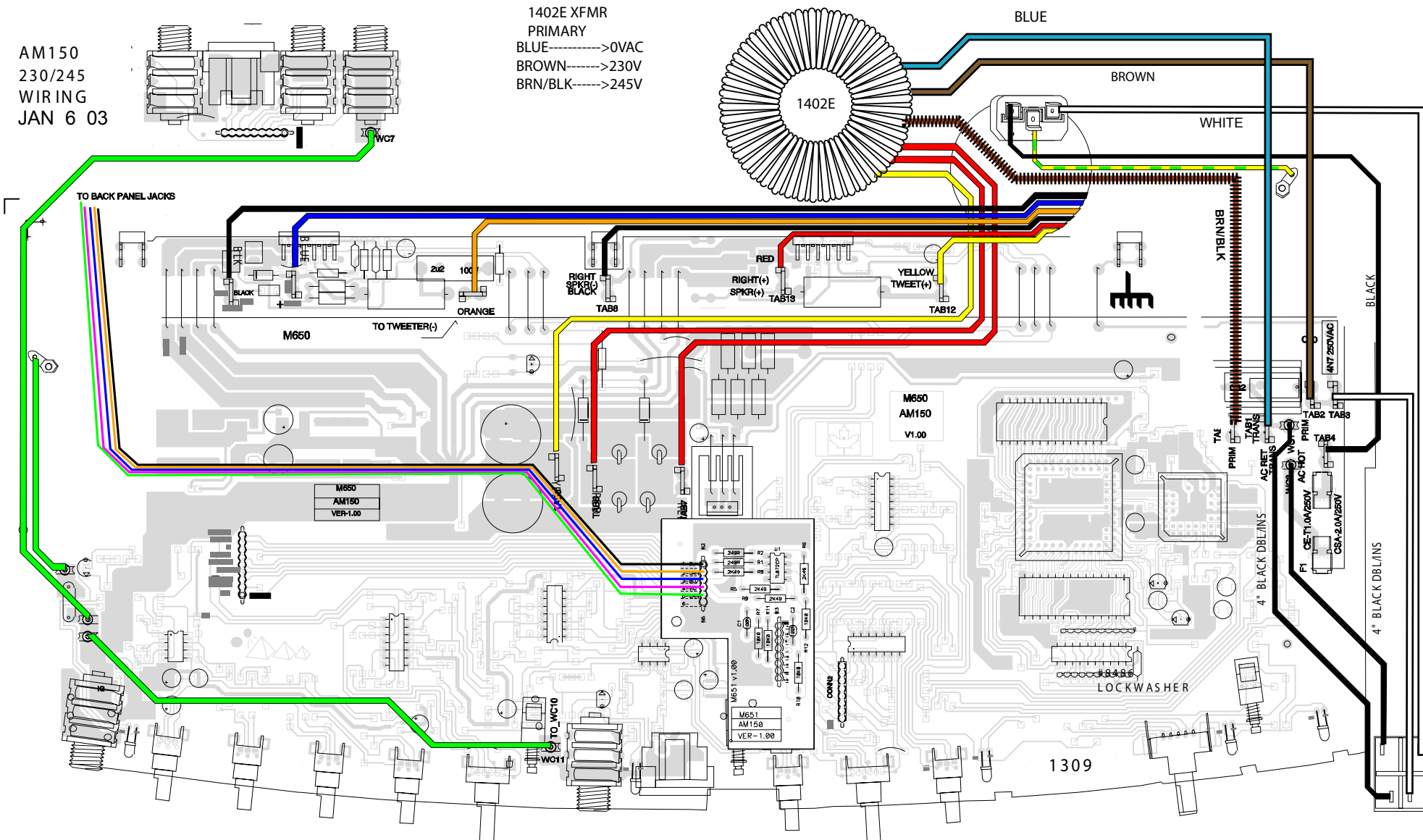


LONG AXIS

SHORT AXIS

AM150
230/245
WIRING
JAN 6 03

1402E XFMR
PRIMARY
BLUE----->0VAC
BROWN----->230V
BRN/BLK----->245V



1309