



WEB ACCESS: <http://www.yorkville.com>

**WORLD HEADQUARTERS
CANADA**

Yorkville Sound
550 Granite Court
Pickering, Ontario
L1W-3Y8 CANADA

Voice: (905) 837-8481
Fax: (905) 837-8746

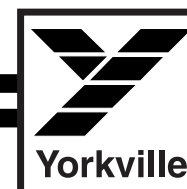
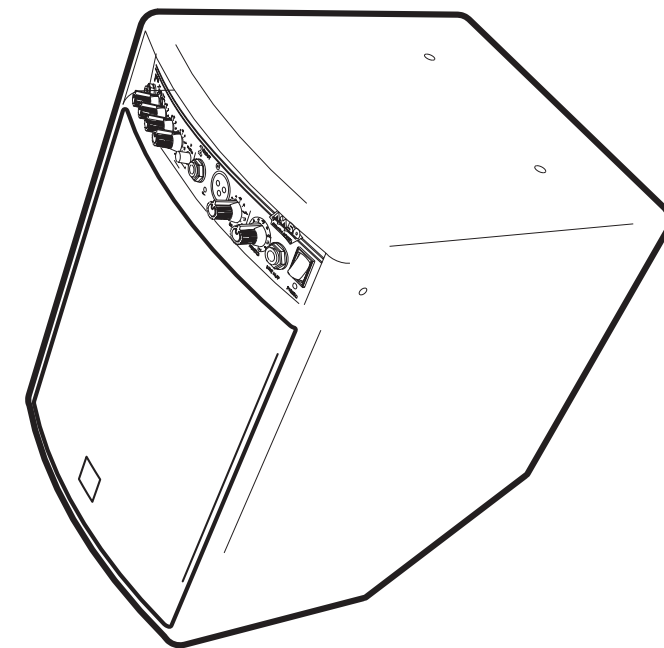
U.S.A.

Yorkville Sound Inc.
4625 Witmer Industrial Estate
Niagara Falls, New York
14305 USA

Voice: (716) 297-2920
Fax: (716) 297-3689



Quality and Innovation Since 1963
Printed in Canada



TYPE: AM50
SERVICE MANUAL

Manual-Service-am50-1v1.pdf

IMPORTANT SAFETY INSTRUCTIONS



INSTRUCTIONS PERTAINING TO A RISK OF FIRE, ELECTRIC SHOCK, OR INJURY TO PERSONS.

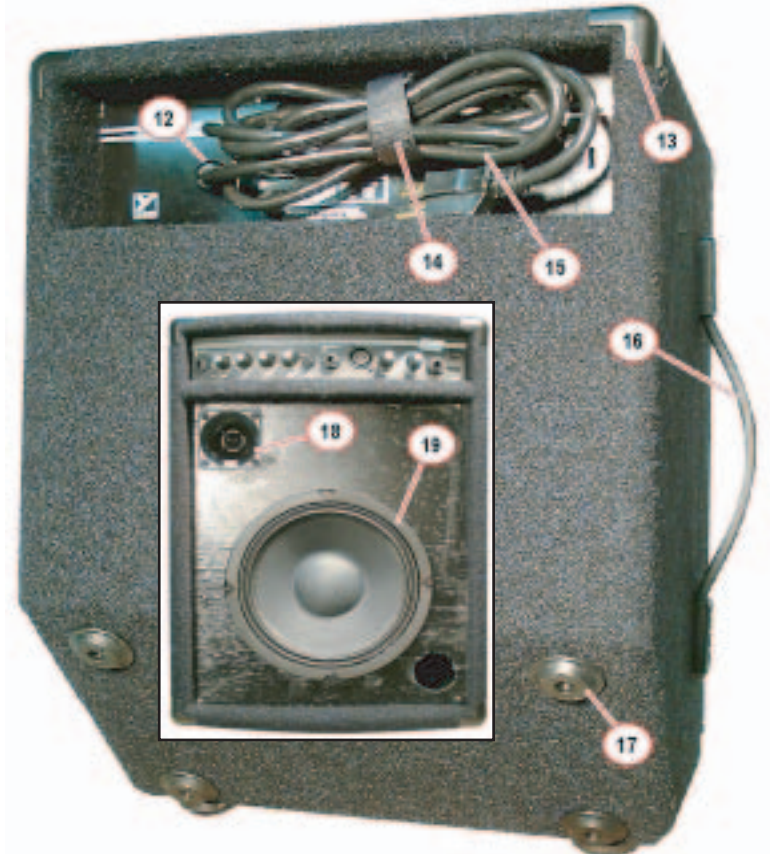
INSTRUCTIONS RELATIVES AU RISQUE DE FEU, CHOC ÉLECTRIQUE, OU BLESSURES AUX PERSONNES.

CAUTION:
TO REDUCE THE RISK OF ELECTRIC SHOCK, DO NOT REMOVE COVER (OR BACK). NO USER SERVICEABLE PARTS INSIDE.
REFER SERVICING TO QUALIFIED SERVICE PERSONNEL.

AVIS:
N'ENLEVEZ PAS LE COUVERT (OU LE PANNEAU ARRIERE). NE CONTIENT AUCUNE PIECE REPARABLE PAR L'UTILISATEUR.
CONSULTEZ UN TECHNICIEN QUALIFIE POUR L'ENTRETIEN.

AM50

Acoustic Amplifier
applicable to serial numbers 001xxxx



#	Part#	Description	Function
Labeled Components			
1	3450	1/4" JCK PCB MT HORZ, GOLD	Jack
2	4417	_10K 5B LIN 9MM HORIZONTAL P28	Gain 1
3	4420	_50K B LIN 9MM HORIZONTAL P28	Bass
4	4420	_50K B LIN 9MM HORIZONTAL P28	Treble
5	4419	100K B LIN 12MM HORIZONTAL STP27	Freq
6	3660	XLR FEML PCB MT HORZ	Jack
7	4418	_10K 5C R/A 9MM HORIZONTAL P28	Gain 2
8	4417	_10K 5B LIN 9MM HORIZONTAL P28	Reverb
knob	8641	Note: All pots use 8641 Aqua Knob	
9	3698	SPST ROKR SW QUIK 180° AC PWR BL/BL	
10	3421	DPDT PUSH SW PCMT MAKE B4 BREAK	
10	8649	BUTTON KNOB FLAT BLACK	
11	Z282	AM50 Grill (special order while unit is in production only)	
12	3834	HEYCO #1214 STRAIN RELIEF	
13	8570	CORNER, 2 LEGS NOTCED LIP BLACK	
14	8468	VELCRO STRAP 3/4"X22CM (VELSTRAP)	
15	3481	8' 3/18 SJT AC LINE CORD 250 CLIPS	
16	8459	9.5" STRAP HANDLE, PLASTIC COVERS	
17	8547	PLASTIC FOOT BLACK	
18	7417	8R 30W TWEETER PIEZO TLC 1	
19	7331	8" 8R 50WPGM SPEAKER JENSENJA8/80	

Internal Electronic Components		
1309	BLOC-40B/40K/40W/50B	XFMR
2468	0.800 AMP SLO-BLO .25X1.25	FUSE
3586	ACC# 1BB1C1C SHORT REVERB	
3745	DUAL XSISTOR PBL SPRING PLATE ZN	
3830	TO218 PREGREASED MICA 56-78-2AP	
5105	MPSA13 TO92 NPN DARL T&R TA	
5887	2200U 50V 20%CAP BLK 18X27MM EL	
6755	LM3876T IC 40 WATT POWER AMP	
6798	MC4741CP IC QUAD OP AMP	
6827	1N5402 200V 3A0 DIODE	
6840	MC33078P IC DUAL OP AMP	
6882	TL072CP IC FET DUAL OP AMP	
6889	TL074CN IC QUAD O/A T.I. ONLY	
8581	CUSTOM PBL TRANSISTOR SPACER	

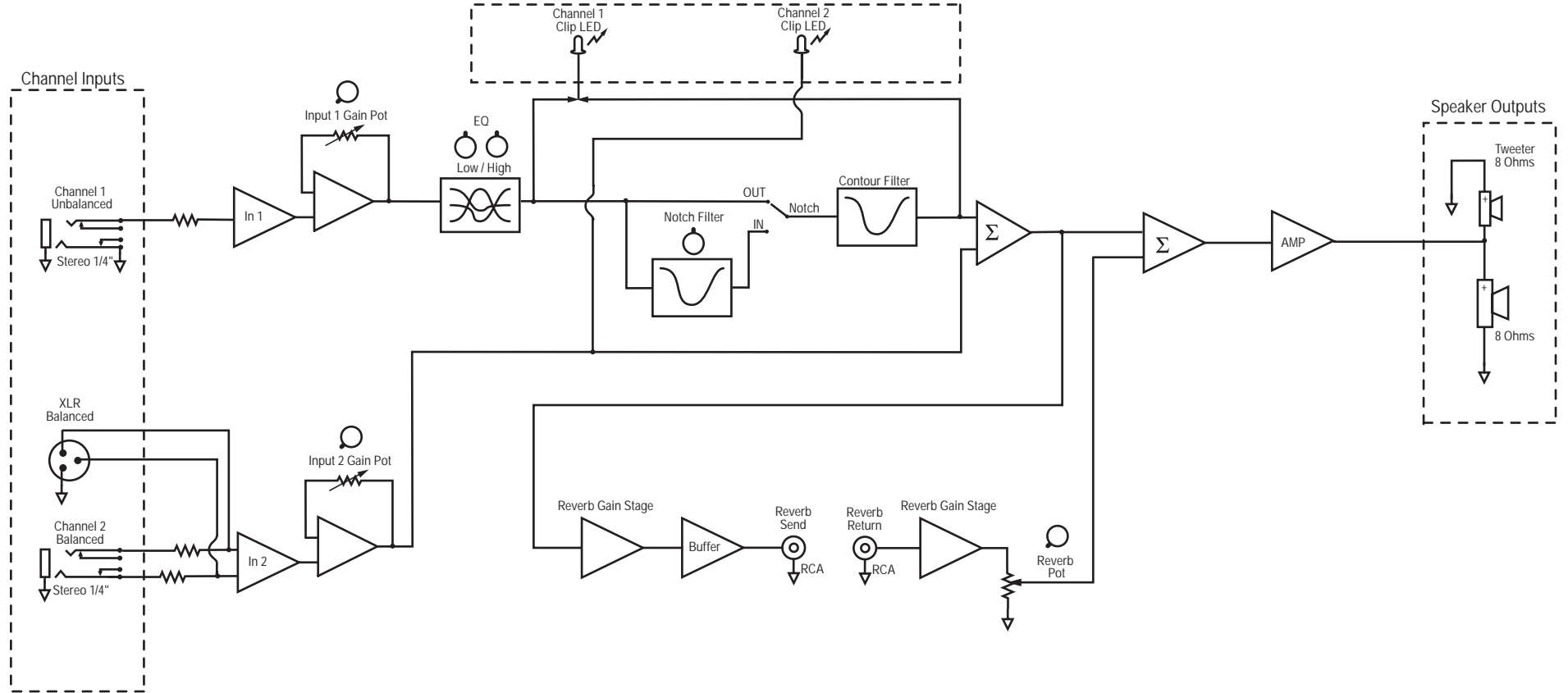
Notes:

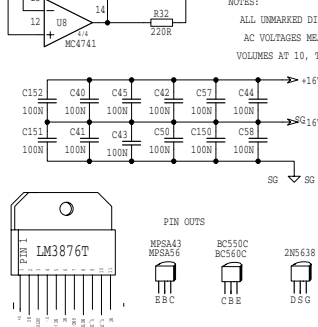
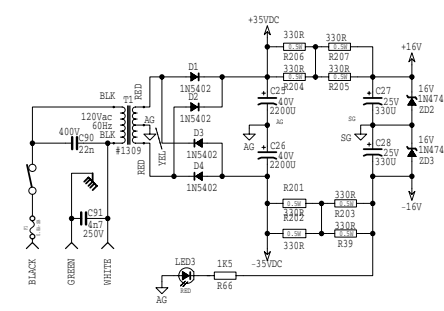
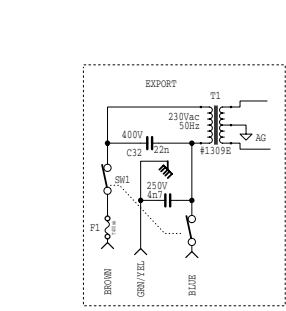
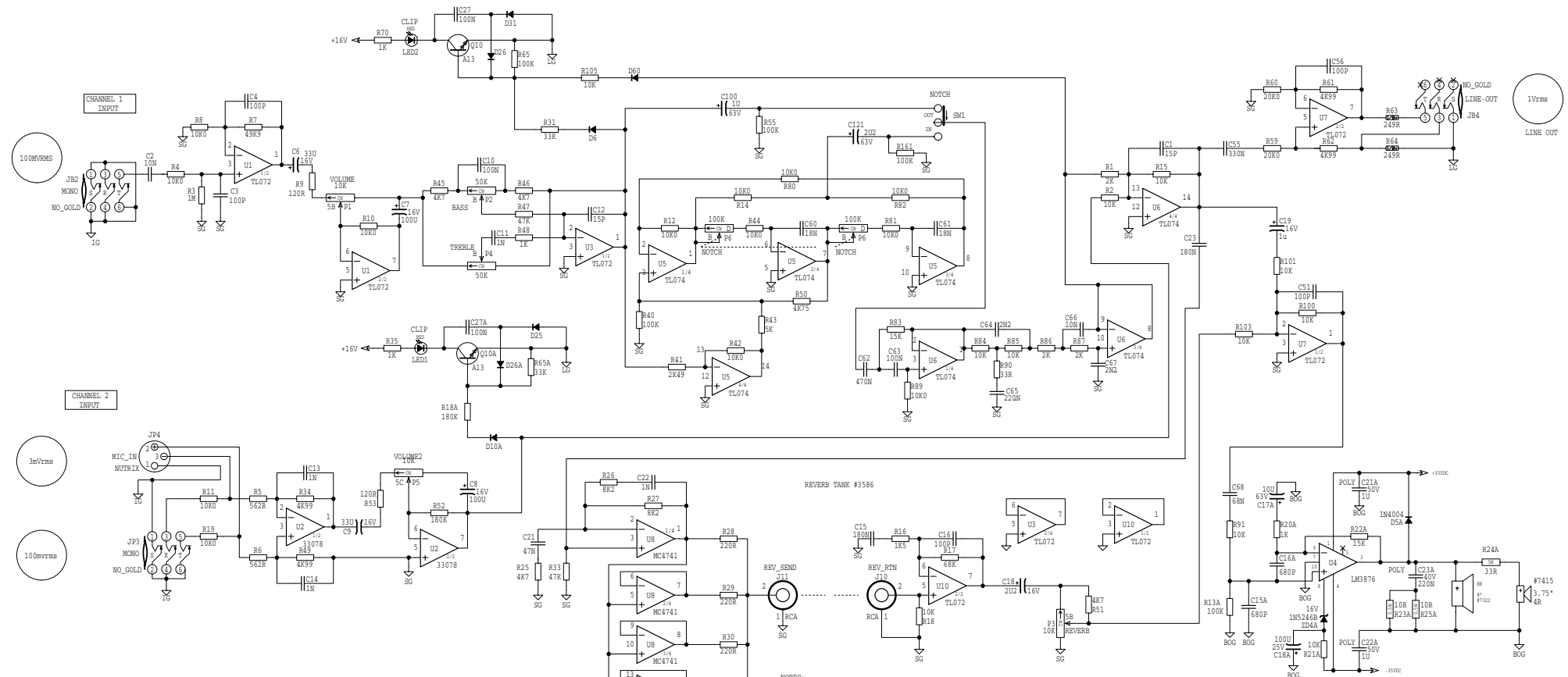
am50 Oct 20,2000

YS No.	Description	Qty.	YS No.	Description	Qty.
6405	RED 3MM LED 1V7 5MA BRT	2	4770	1/4W 249R 1% T&R RES	2
6408	GRN 3MM LED 1V9 5MA FROSTED	1	4655	1/2W 330R 5% T&R RES	8
6825	1N4148 75V 0A45 DIODE T&R	7	4799	1/4W 562R 1% T&R RES	2
6438	1N4004 400V 1A0 DIODE T&R	1	4981	1/4W 1K 5%MINI T&R RES	3
6827	1N5402 200V 3A0 DIODE	4	4824	1/4W 1K5 5% T&R RES	3
6822	1N4745A 16V0 1W0 ZENER 5% T&R	2	6113	1/4W 2K 5%MINI T&R RES	3
6824	1N5246B 16V0 0W5 ZENER 5% T&R	1	4883	1/4W 2K49 1% T&R RES	1
5105	MPSA13 TO92 NPN DARL T&R TA	2	4827	1/4W 4K7 5% T&R RES	5
6739	LM3876T IC 40 WATT POWER AMP	1	4639	1/4W 4K99 1% T&R RES	4
6798	MC4741CP IC QUAD OP AMP	1	4893	1/4W 5K1 5% T&R RES	1
6840	MC33078P IC DUAL OP AMP	1	4863	1/4W 8K2 5% T&R RES	2
6882	TL072CP IC FET DUAL OP AMP	4	4800	1/4W 10K0 1% T&R RES	12
6889	TL074CN IC QUAD O/A T.I. ONLY	2	4829	1/4W 10K 5% T&R RES	9
5402	_15P 100V 10%CAP T&R BEAD NPO	2	6116	1/4W 10K0 1%MINI MF T&R RES	3
5199	100P 100V 2%CAP T&R RAD CER.2"NPO	2	4830	1/4W 15K 5% T&R RES	2
5410	100P 100V 10%CAP T&R BEAD NPO	3	6123	1/4W 20K0 1%MINI MF T&R RES	2
5420	680P 50V 10%CAP T&R BEAD NPO	2	4840	1/4W 33K 5% T&R RES	2
5422	_1N 50V 10%CAP T&R BEAD NPO	4	4834	1/4W 47K 5% T&R RES	2
5208	_2N2 400V 5%CAP T&R RAD _2"FLM	2	4803	1/4W 49K9 1% T&R RES	1
6451	_4N7 250V 20%CAP BLK Y" 10MM AC	1	4836	1/4W 68K 5% T&R RES	1
5204	10N 100V 10%CAP T&R RAD _2"FLM	2	6120	1/4W 100K 5%MINI T&R RES	5
5207	_18N 100V 5%CAP T&R RAD _2"FLM	2	4849	1/4W 180K 5% T&R RES	2
6435	_22N 275V 20%CAP BLK X2 15MM AC	1	4844	1/4W 1M 5% T&R RES	1
5308	_47N 50V 10%CAP T&R BEAD X7R	1	3586	ACC# 1BB1C1C SHORT REVERB	1
5310	_68N 50V 10%CAP T&R BEAD X7R	1	9892	CABINET COVER, BLUE/BLACK, 54" WIDE	11.5
5228	100N 100V 5%CAP T&R RAD _2"FLM	1	9047	_187 HOLE @ 250 STAG 16GA PERFORAT	1.4
5314	100N 50V 10%CAP T&R BEAD X7R	15	9150	_081* 48X96 UTILITY ALUMINUM	2.13
5230	180N 63V 5%CAP T&R RAD _2"FLM	1	9250	_040* 48X96 5052H32 ALUM VINYL LAMI	0.33
5317	180N 50V 10%CAP T&R BEAD X7R	1	9815	1/2"PRECISION SANDED SPRUCE 4X8	8.16
5231	220N 63V 10%CAP T&R RAD _2"FLM	2	8842	#4 X 5/16 PAN QUAD TYPE A JS500 BLK	2
5233	330N 63V 5%CAP T&R RAD _2"FLM	1	8801	6-32 X 3/8 PAN PH TAPTITE J5500	5
5234	470N 63V 10%CAP T&R RAD _2"FLM	1	8829	6-32 X 3/8 FLAT PH TAPTITE BO#4 HEA	4
5255	_1U 63V 20%CAP T&R RAD _2"EL	3	8828	6-32 X 3/4 PAN PH TAPTITE J5500	3
5256	_1U 63V 5%CAP T&R RAD _2"FLM	2	8876	#6 X 1 1/2 PAN PH TYPE A JS500 BLK	4
5257	_2U2 63V 20%CAP T&R RAD _2"EL	1	8763	8-32 X 1/2 PAN PH MS J5500 BLACK	2
5945	_10U 63V 20%CAP T&R RAD _2"EL	1	8767	#8 X 3/4 PAN PHIL TYPE A JS500 BLK	4
5961	_33U 16V 20%CAP T&R RAD _2"NP	2	8815	8-32 X 3/4 PAN PH TAPTITE J5500	1
5267	100U 25V 20%CAP T&R RAD _2"EL	3	8753	#10 X 1/2 PAN PH TYPE A JS500 BLACK	12
5630	330U 25V 20%CAP BLK 10X13MM EL	2	8756	#10 X 3/4 PAN PH TYPE A BLACK OXIDE	8
5887	2200U 50V 20%CAP BLK 18X27MM EL	2	8781	#10 X 7/8 FLAT PHIL TYPE A JS500BLK	10
4417	_10K 5B LIN 9MM HORIZONTAL P28	2	8912	10-32 X 1 FLAT PHIL MS J5500 BLK	4
4418	_10K 5C R/A 9MM HORIZONTAL P28	1	8770	1/4-20 X 1 5/16 TRUSS PH MS J5500	2
4420	_50K B LIN 9MM HORIZONTAL P28	2	8905	YORKVILLE PRODUCT SCHEMATIC	1
4419	100K B LIN 12MM HORIZONTAL STP27	1	3833	8 X 3/8 (250 OD, 171 ID)NY SPACER	3
8547	PLASTIC FOOT BLACK	8	7331	8" 8R 50WPGM SPEAKER JENSENJA8/80	1
8570	CORNER, 2 LEGS NOTCED LIP BLACK	6	8820	#8 FLAT WASHER J5500	2
3463	CLIP 110X020 18-22AWG DISCO/INSL	2	8473	#10 BLACK CUPWASHER SWF-10BK	2
3467	CLIP 205X032 14-16AWG DISC/INSUL	2	3421	DPDT PUSH SW PCMT MAKE B4 BREAK	1
3489	CLIP 250X032 18-22AWG DISCO/INSL	4	3698	SPST ROKR SW QUIK 180° AC PWR BL/BL	1
3682	250 MALE PCB TAB BULK CARTRIGE	10	3937	YELLOW 18 AWG TR-64 PREFUSED	2.333
3498	1/4" JCK PCB MT HORZ	3	3940	RED 18 AWG TR-64 PREFUSED	2.333
3886	36" RCA PREFAB CABLE RED	1	3941	BLACK 18 AWG TR-64 PREFUSED	4.667
3890	36" PREFAB. CABLE	1	3950	GREEN 18 AWG TR-64 PREFUSED	2
3914	RCA SNGL PCB MT HORZ	2	3958	BLACK 18AWG 36STND WIRE DOUBLE INS	3.333
3417	6-32 SCREW TERMINAL PC MOUNT	2	1309	BLOC-40B/40K/40W/50B XFMR	1
3660	XLR FEML PCB MT HORZ	1			
3451	EYELET SMALL 0.089 OD PLATED	10			
3414	INTERNATIONAL PC MOUNT FUSEHOLDER	2			
2468	0.800 AMP SLO-BLO .25X1.25 FUSE	1			
8459	9.5" STRAP HANDLE, PLASTIC COVERS	1			
8604	10-32 T NUT	2			
7417	8R 30W TWEETER PIEZO TLC 1	1			
3745	DUAL XSISTOR PBL SPRING PLATE ZN	1			
3804	SNAP ON 1.5" INSULATING BUSHING	1			
3795	#8 GROUND LUG ZIERICK 505-169	2			
3801	5/8" BUMPER BUTTON BLACK	1			
3803	NYLON SECUR-A-TACH MINI PLASTIC TIE	1			
3810	4" NYLON CABLE TIE	5			
8641	AQUA KNOB FOR "NEW" ACOUSTIC SERIE	6			
8649	BUTTON KNOB FLAT BLACK	1			
3481	8' 3/18 SJT AC LINE CORD 250 CLIPS	1			
3834	HEYCO #1214 STRAIN RELIEF	1			
	"Y" LOGO ACOUSTIC SERIES SML. DOMED	1			
8800	6-32 KEPS NUT ZINC	3			
8787	8-32 KEPS NUT ZINC	2			
8845	10-32 PEMNUT SS-032-2-Z1	2			
8898	1/4-20 CAGE NUT C7998142027	2			
3830	TO218 PREGREASED MICA 56-78-2AP	1			
8581	CUSTOM PBL TRANSISTOR SPACER	1			
4597	22AWG STRAN TC WIR JMP	7			
4599	22AWG SOLID SC WIR T&R JMP	41			
5299	24AWG SOLID SC WIR RAD JMP	2			
4675	1/2W 10R 5% T&R RES	2			
4816	1/4W 33R 5% T&R RES	1			
4704	5.0W 33R 5% BLK RES	1			
4897	1/4W 120R 5% T&R RES	2			
4857	1/4W 220R 5% T&R RES	4			

Block Diagram for AM50

DESIGNED AND MANUFACTURED BY YORKVILLE SOUND



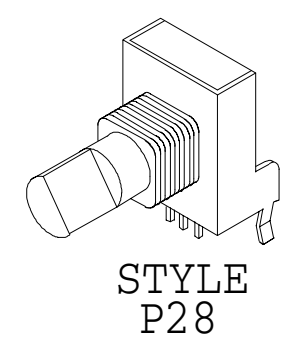
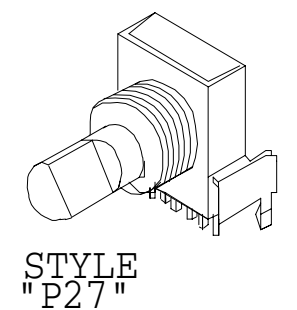
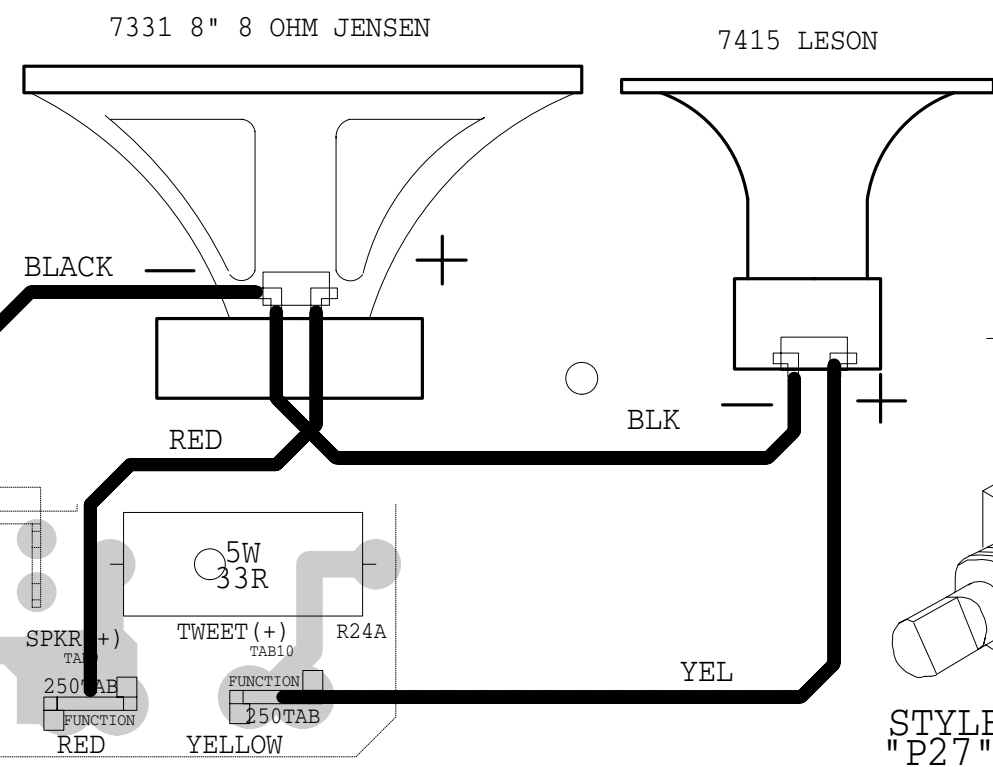
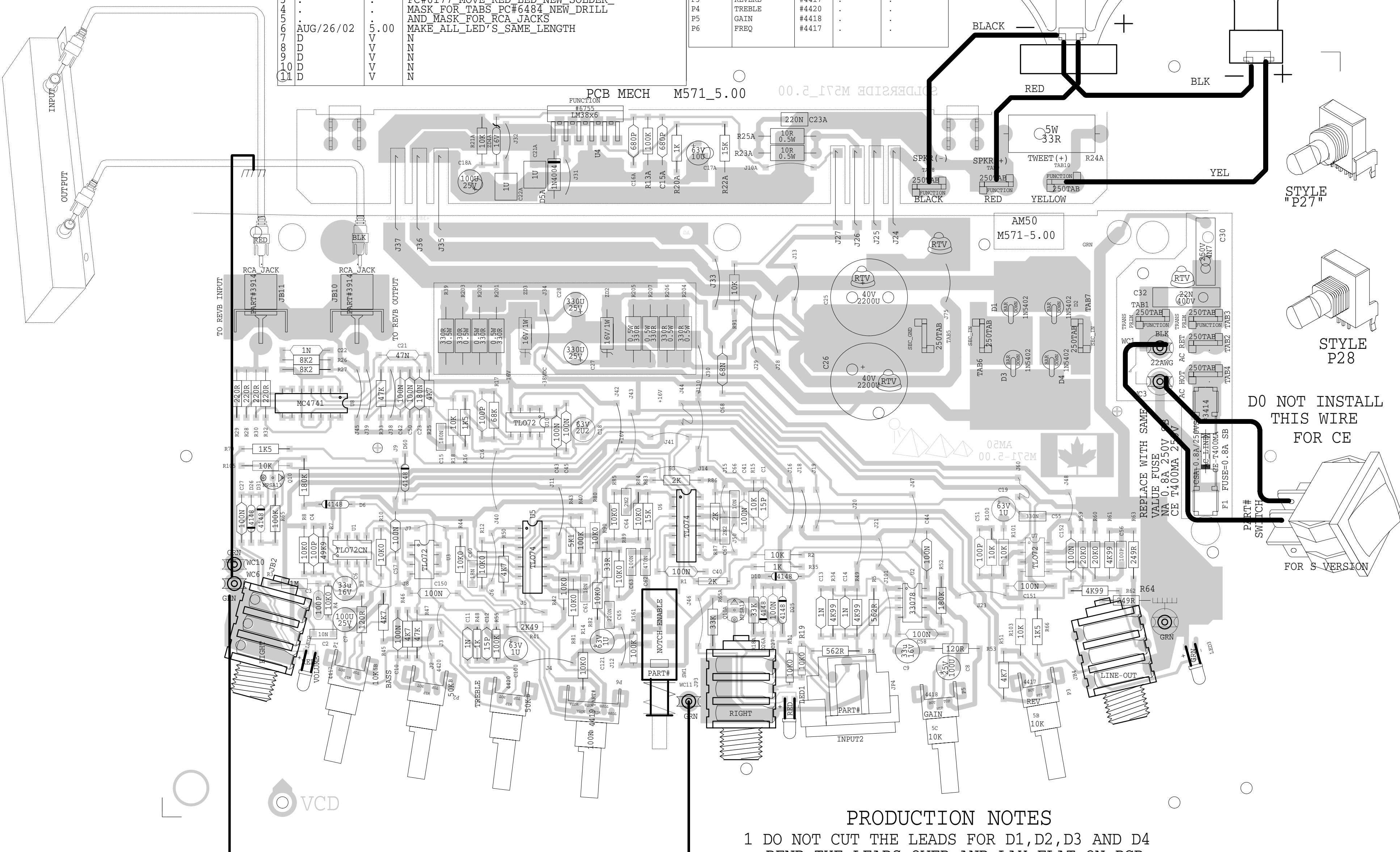


NOTES:
 ALL UNMARKED DIODES ARE 1N4148
 AC VOLTAGES MEASURED AT 1KHz AND WITH
 VOLUMES AT 10, TONES AT 0

M571.SCH_DATABASE_HISTORY				M571.PCB_POT_LIST					
MODEL(S) :- AM50				MODEL(S) :- AM50					
#	DATE	VER#	DESCRIPTION OF CHANGE	#	REF	FUNCTION	PART#	KNOB	AS OF
1	JAN/18/00	1.20	ADD HISTORY FOR BLOCKS	1	P2	VOLUME	#4417	#8641	JAN/2000
2	MAY/03/06	1.50	UPDATE C# AND SUPPLY	1	P3	BASS	#4420	.	.
3	AUG/22/01	1.20	PC#4615E E-VERSION XFR# #1206-x1309E	1	P4	REVERB	#4417	.	.
4	OCT/06/03	1.50	CORRECT POLARITY OF HORN	1	P5	TREBLE	#4420	.	.
5				1	P6	GAIN	#4419	.	.
6				1	P7	NOTCH	#4419	.	.
7				1	P8			.	.
8				1	P9			.	.
9				1	P10			.	.
10				1	P11			.	.

M571.PCB DATABASE HISTORY			
#	DATE	VER#	DESCRIPTION OF CHANGE
1	JAN/18/00	3.00	ADD POT CHART
2	JAN/15/02	4.00	PC#6250 MOVE C2 AWAY FROM JB2
3	.	.	PC#6177 MOVE RED LED NEW SOLDER
4	.	.	MASK FOR TABS PC#6484 NEW DRILL
5	.	.	AND MASK FOR RCA JACKS
6	AUG/26/02	5.00	MAKE ALL LED'S SAME LENGTH
7	D	N	
8	D	N	
9	D	N	
10	D	N	
11	D	N	

M571.PCB POT_LIST					
MODEL(S)	FUNCTION	PART#	KNOB	AS_OF	
AM50	VOLUME	#4417	#8641	JAN/2000	
	BASS	#4420	.	.	
	REVERB	#4417	.	.	
	TREBLE	#4420	.	.	
	GAIN	#4418	.	.	
	FREQ	#4417	.	.	



DO NOT INSTALL THIS WIRE FOR CE

REPLACE WITH SAME VALUE FUSE
NA 0.8A 250V
CE T400MA 250V

FOR S VERSION

PRODUCTION NOTES

- 1 DO NOT CUT THE LEADS FOR D1, D2, D3 AND D4 BEND THE LEADS OVER AND LAY FLAT ON PCB
- 2 DO NOT INSTALL WIRE AT WC3 FOR CE
- 3 DO NOT INSTALL FUSEHOLDERS FOR CE



