



BASS MASTER
100

SERVICE MANUAL

**WORLD HEADQUARTERS
CANADA**

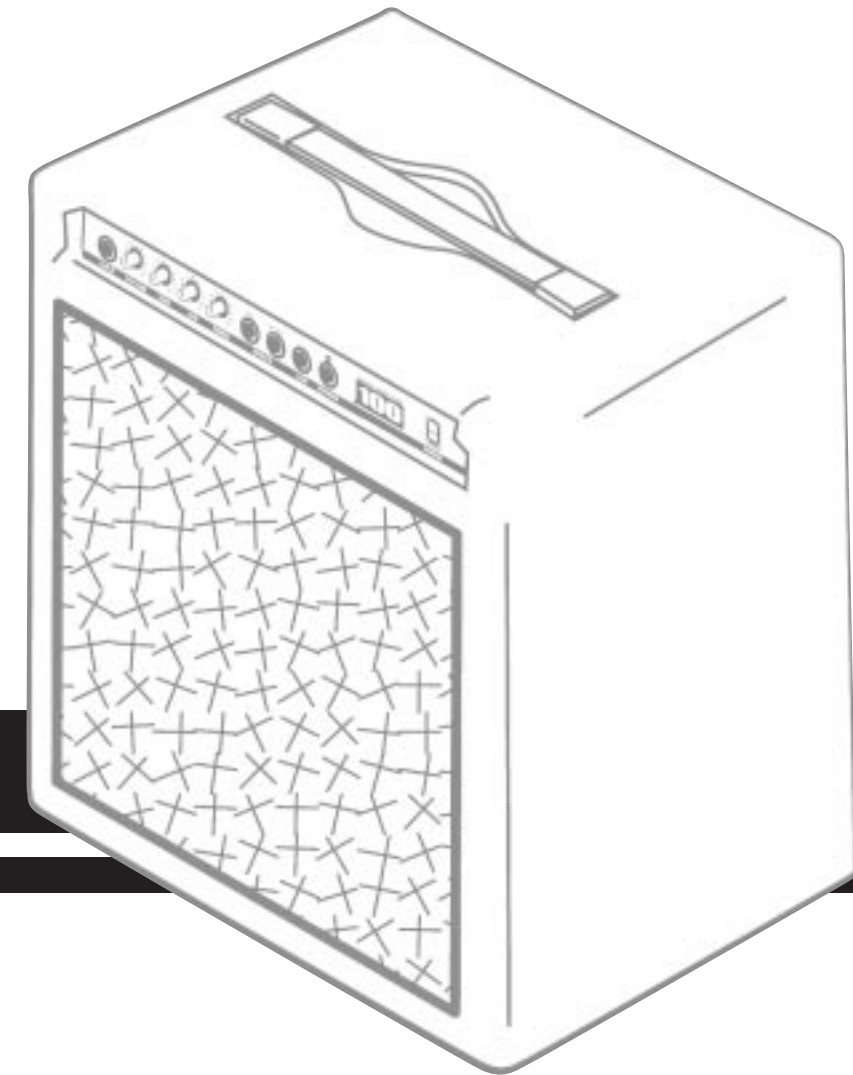
Yorkville Sound
550 Granite Court
Pickering, Ontario
L1W-3Y8 CANADA

Voice: (905) 837-8481
Fax: (905) 837-8746

U.S.A.

Yorkville Sound Inc.
4625 Witmer Industrial Estate
Niagara Falls, New York
14305 USA

Voice: (716) 297-2920
Fax: (716) 297-3689



Quality and Innovation Since 1963
Printed in Canada

IMPORTANT SAFETY INSTRUCTIONS



INSTRUCTIONS PERTAINING TO A RISK OF FIRE, ELECTRIC SHOCK, OR INJURY TO PERSONS.

INSTRUCTIONS RELATIVES AU RISQUE DE FEU, CHOC ÉLECTRIQUE, OU BLESSURES AUX PERSONNES.

CAUTION:

DO NOT REMOVE COVER (OR BACK). NO USER SERVICEABLE PARTS INSIDE.

REFER SERVICING TO QUALIFIED SERVICE PERSONNEL.

AFIN DE RÉDUIRE LES RISQUE DE CHOC ÉLECTRIQUE, N'ENLEVEZ PAS LE COUVERT (OU NE CONTIENT AUCUNE PIÈCE RÉPARABLE PAR L'UTILISATEUR.

CONSULTEZ UN TECHNICIEN QUALIFIÉ POUR L'ENTRETIEN.

Read Instructions:

The *Owner's Manual* should be read and understood before operation of your unit. Please, save these instructions for future reference.

Packaging:

Keep the box and packaging materials, in case the unit needs to be returned for service.

Warning:

When using electric products, basic precautions should always be followed, including the following:

Power Sources:

Your unit should be connected to a power source only of the voltage specified in the owners manual or as marked on the unit. This unit has a polarized plug. Do not use with an extension cord or receptacle unless all three blades can be fully inserted to prevent blade exposure. Precautions should be taken so that the grounding scheme on the unit is not defeated.

Power Cord:

The AC supply cord should be routed so that it is unlikely that it will be damaged. If the AC supply cord is damaged **DO NOT OPERATE THE UNIT.**

Service:

The unit should be serviced only by qualified service personnel.

Veillez lire le manuel:

Il contient des informations qui devraient être comprises avant l'opération de votre appareil. Conservez S.V.P. ces instructions pour consultations ultérieures

Emballage:

Conservez la boîte au cas où l'appareil devait être retourner pour réparation.

Warning:

Attention: Lors de l'utilisation de produits électrique, assurez-vous d'adhérer à des précautions de bases incluant celle qui suivent:

Alimentation:

L'appareil ne doit être branché qu'à une source d'alimentation correspondant au voltage spécifié dans le manuel ou tel qu'indiqué sur l'appareil. Cet appareil est équipé d'une prise d'alimentation polarisée. Ne pas utiliser cet appareil avec un cordon de raccordement à moins qu'il soit possible d'insérer complètement les trois lames. Des précautions doivent être prises afin d'éviter que le système de mise à la terre de l'appareil ne soit désengagé.

Cordon d'alimentation:

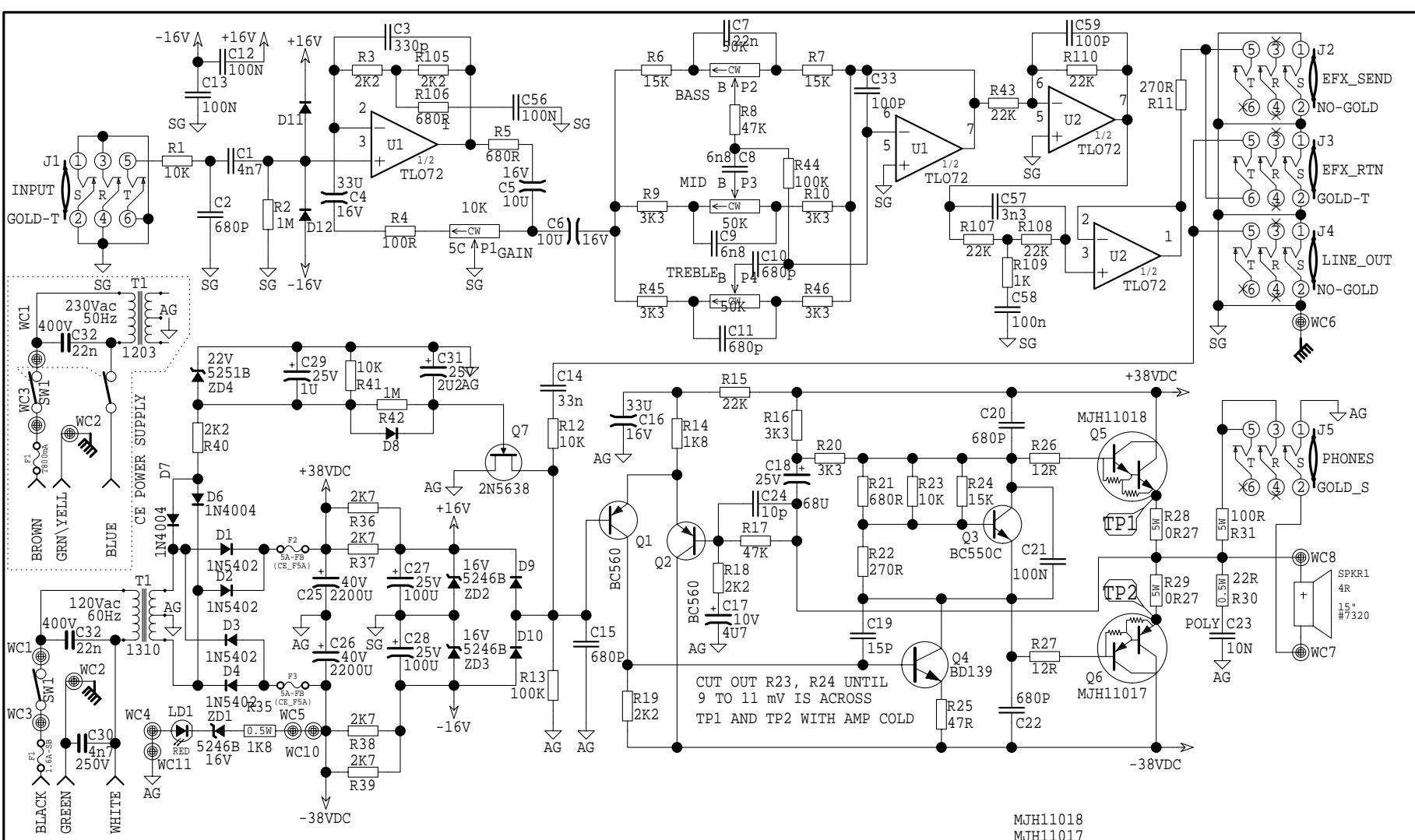
Évitez d'endommager le cordon d'alimentation. **N'UTILISEZ PAS L'APPAREIL** si le cordon d'alimentation est endommagé.

Service:

Consultez un technicien qualifié pour l'entretien de votre appareil.

BM100 Parts List 9/30/98

YS No.	Description	Qty.	YS No.	Description	Qty.
6405	RED 3MM LED 1V7 5MA BRIGHT PACE	1	4864	1/4W 2K7 5% T&R RES	4
6438	1N4004 400V 1A0 DIODE T&R	2	4826	1/4W 3K3 5% T&R RES	6
6825	1N4148 75V 0A45 DIODE T&R	5	4829	1/4W 10K 5% T&R RES	4
6827	1N5402 200V 3A0 DIODE	4	4830	1/4W 15K 5% T&R RES	3
6824	1N5246B 16V0 0W5 ZENER 5% T&R	3	4832	1/4W 22K 5% T&R RES	5
6463	1N5251BRL 22V0 0W5 ZENER 5% T&R	1	4834	1/4W 47K 5% T&R RES	2
5101	BC550C TO92 NPN TRANS. T&R	1	4838	1/4W 100K 5% T&R RES	2
5102	BC560C TO92 PNP TRANS. T&R	2	4844	1/4W 1M 5% T&R RES	2
5119	2N5638 TO92 N CHAN J FETT&R	1	8801	6-32 X 3/8 PAN PH TAPTITE SJ500	2
6774	BD139 TO126 NPN TRANS	1	8828	6-32 X 3/4 PAN PH TAPTITE SJ500	6
6779	MJH11018 TO218 NPN DARLINGTON	1	8876	#6 X 1 1/2 PAN PH TYPE A SJ500	4
6802	MJH11017 TO218 PNP DARLINGTON	1	8763	8-32 X 1/2 PAN PH MS JS500 BLACK	4
6882	TL072CP IC FET DUAL OP AMP	2	8756	#10 X 3/4 PAN PH TYPE A JS500 BLACK	4
5400	_10P 100V 10%CAP T&R TUBULAR NPO	2	8781	#10 X 7/8 FLAT PHIL TYPE A JS500BLK	6
5402	_15P 100V 10%CAP T&R TUBULAR NPO	1	8843	10-32 X 1 1/8 FLAT PH MS SJ500	2
5410	100P 100V 10%CAP T&R BEAD NPO	2	8786	10-32 X 1 1/4 PAN QD MS JS500 BLACK	4
5417	330P 50V 10%CAP T&R BEAD NPO	1	8770	1/4-20 X 1 5/16 TRUSS PH MS JS500	4
5420	680P 50V 10%CAP T&R BEAD NPO	6	8905	YORKVILLE PRODUCT SCHEMATIC	1
5428	_3N3 50V 10%CAP T&R TUBULAR Y5R	1	8656	.171 X 1/4 NYLON SPACER #SP42	3
5432	_4N7 50V 10%CAP T&R TUBULAR Y5R	1	3833	8 X 3/8 (250 OD).171 IDJNY SPACER	2
6451	_4N7 250V 20%CAP AC Y ONLY RAD10MM	1	7347	15" 4R 200W SPEAKER BASS	1
5376	_6N8 50V 5%CAP T&R BEAD X7R	2	3511	#6 FLAT WASHER NYLON	2
5834	_10N 250V 20%CAP RAD POLYFILM BULK	1	8852	#6 INTERNAL TOOTH LOCKWASHER	1
5304	_22N 50V 10%CAP T&R BEAD X7R	1	3698	SPST ROKR SW QUIK 180° AC PWR BU/BL	1
6435	_22N 275V 20%CAP AC X2 RAD BLK15MM	1	1310	4200 BLOC-80B/100G S120B/100K XFMR	1
5306	_33N 50V 10%CAP T&R BEAD X7R	1			
5314	100N 50V 10%CAP T&R BEAD X7R	5			
5255	_1U 63V 20%CAP T&R RADIAL ELE.2"	1			
5257	_2U2 63V 20%CAP T&R RADIAL ELE.2"	1			
5259	_4U7 63V 20%CAP T&R RADIAL ELE.2"	1			
5281	_10U 16V 20%CAP NONPOLAR T&R .2"	2			
5961	_33U 16V 20%CAP NONPOLAR T&R RAD	2			
5265	_68U 25V 20%CAP T&R RADIAL ELE.2"	1			
5267	100U 25V 20%CAP T&R RADIAL ELE.2"	2			
5887	2200U 50V 20%CAP RADIAL ELECT BULK	2			
4409	_10K 5C-REV/AUDIO STYLE"P14"16MM	1			
4406	_50K 5B-LINEAR STYLE"P14"16MM	3			
8547	PLASTIC FOOT BLACK	4			
3467	CLIP 205X032 14-16AWG DISC/INSUL	2			
3489	CLIP 250X032 18-22AWG DISCO/INSL	2			
3491	CLIP 205/187X020 18-22AWG DISCO/INS	2			
3682	250 MALE PCB TAB BULK ON CATRIGE	9			
3498	M203-02 PLAIN PC MNT JK SKT	2			
3523	M203-02A GOLD TIP PC MNT JK SKT	2			
3527	M203-02B GLOD SLV PC MNT JK SKT	1			
3451	0.089 OD SMALL EYELET ELECTROPLATED	5			
3414	INTERNATIONAL PC MOUNT FUSEHOLDER	12			
2406	1.6 AMP SLO-BLO .25X1.25 FUSE	1			
2415	5.0 AMP FAST-BLO .25X1.25 FUSE	2			
8459	9.5" STRAP HANDLE, PLASTIC COVERS	1			
8604	10-32 T NUT	6			
3563	TRANSISTOR MOUNTING BRACKET	1			
3800	BELLY BUTTON #BB1 CORDS CANADA	2			
3804	SNAP ON 1.5" INSULATING BUSHING	1			
3795	#8 GROUND LUG ZIERICK 505-169	1			
3799	ROUND BUMPER BUTTON BLACK	2			
3803	NYLON SECUR-A-TACH MINI PLASTIC TIE	1			
3810	4" NYLON CABLE TIE	5			
8693	S ROTARY KNOB GREY	4			
3481	8? 3/18 SJT AC LINE CORD 250 CLIPS	1			
3834	HEYCO #1214 STRAIN RELIEF	1			
8900	YORKVILLE WARRANTY CARD 2-YR UNLTD.	1			
8800	6-32 KEPS NUT ZINC	7			
8787	8-32 KEPS NUT ZINC	4			
8898	1/4-20 CAGE NUT C7998142027	4			
3830	TO218 PREGREASED MICA 56-78-2AP	2			
4597	22AWG STRAN TC WIR	6			
4599	22AWG SOLID SC WIR T&R	17			
4729	5.0W 0R27 5% BLK RES	2			
4815	1/4W 12R 5% T&R RES	2			
4618	1/2W 22R 5% T&R RES	1			
4817	1/4W 47R 5% T&R RES	1			
4692	5.0W 100R 5% BLK RES	1			
4852	1/4W 100R 5% T&R RES	1			
4867	1/4W 270R 5% T&R RES	2			
4873	1/4W 680R 5% T&R RES	3			
4823	1/4W 1K 5% T&R RES	1			
4625	1/2W 1K8 5% T&R RES	1			
4825	1/4W 1K8 5% T&R RES	1			
4847	1/4W 2K2 5% T&R RES	5			



M511.SCH DATABASE HISTORY

MODEL(S) :- BM100\BM100CE

#	DATE	VER#	DESCRIPTION OF CHANGE
1	MAY/01/95	2.50	PC#4780 D6,D7 BAV21->1N4004
2	MAY/05/95	2.60	PC#4801 ADD 10P ACROSS R17
3	FEB/23/98		PC#5623_SEE_LIST_FOR_CHANGES
4			N
5			N
6			N
7			N
8			N
9			N
10			N

PC#5623 C1 18N TO 4N7
 C3 1N8 TO 330P
 C7 47N TO 22N
 C8/C9 18N TO 6N8
 C10/C11 1N2 TO 680P
 C57 22N TO 100N
 C58 150N TO 33N
 C14 100N TO 33N
 R106 1K TO 680R
 R6/R7 6K8 TO 15K
 R107/R108 10K TO 22K
 R109 150R TO 1K

MJH11018
 MJH11017

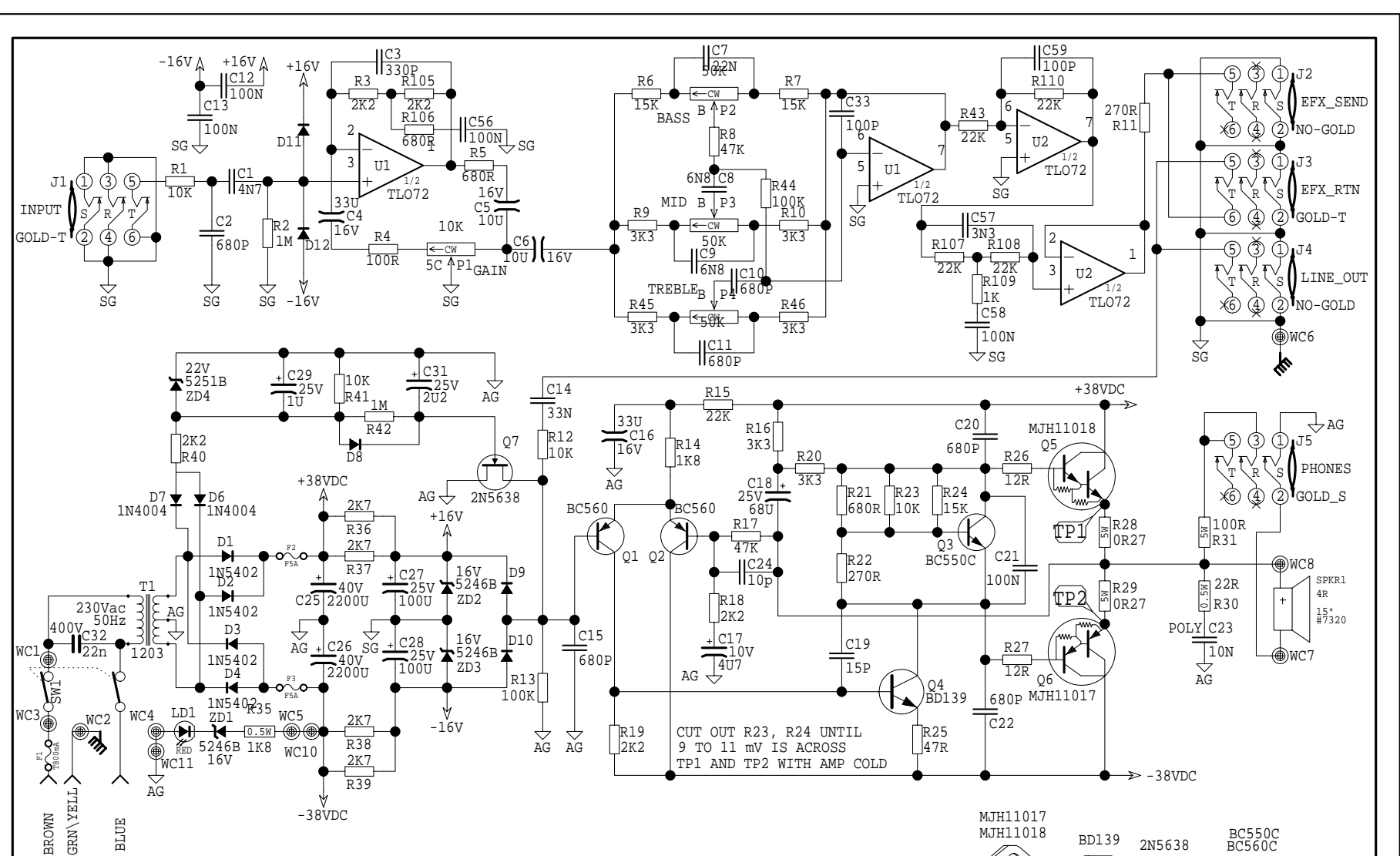
BD139

2N5638

BC550C
 BC560C

NOTE: ALL UNMARKED DIODES 1N4148
 THE 100B BY A.WILSON AND C.CHIU

YORKVILLE	DATE: FEB/23/98	MODELS: BM100 BM100CE	SCH ISSUE: 2.60
	NAME: M511V26.SCH	TITLE: BASS_AMP_100_WATTS	



M511S.SCH DATABASE HISTORY

MODEL(S) :- BM100S

#	DATE	VER#	DESCRIPTION OF CHANGE
1	MAY/05/95	1.70	PC#4780 D6/D7 BAV21->1N4004
2	MAY/08/95		PC#4801 ADD 10P ACROSS R14
3	FEB/23/98	1.80	PC#5623_SEE_LIST_FOR_CHANGES
4			N
5			N
6			N
7			N
8			N
9			N
10			N

PC#5623 C1 18N TO 4N7
 C3 1N8 TO 330P
 C7 47N TO 22N
 C8/C9 18N TO 6N8
 C10/C11 1N2 TO 680P
 C57 22N TO 33N
 C58 150N TO 100N
 C14 100N TO 33N
 R106 1K TO 680R
 R6/R7 6K8 TO 15K
 R107/R108 10K TO 22K
 R109 150R TO 1K

MJH11017
 MJH11018

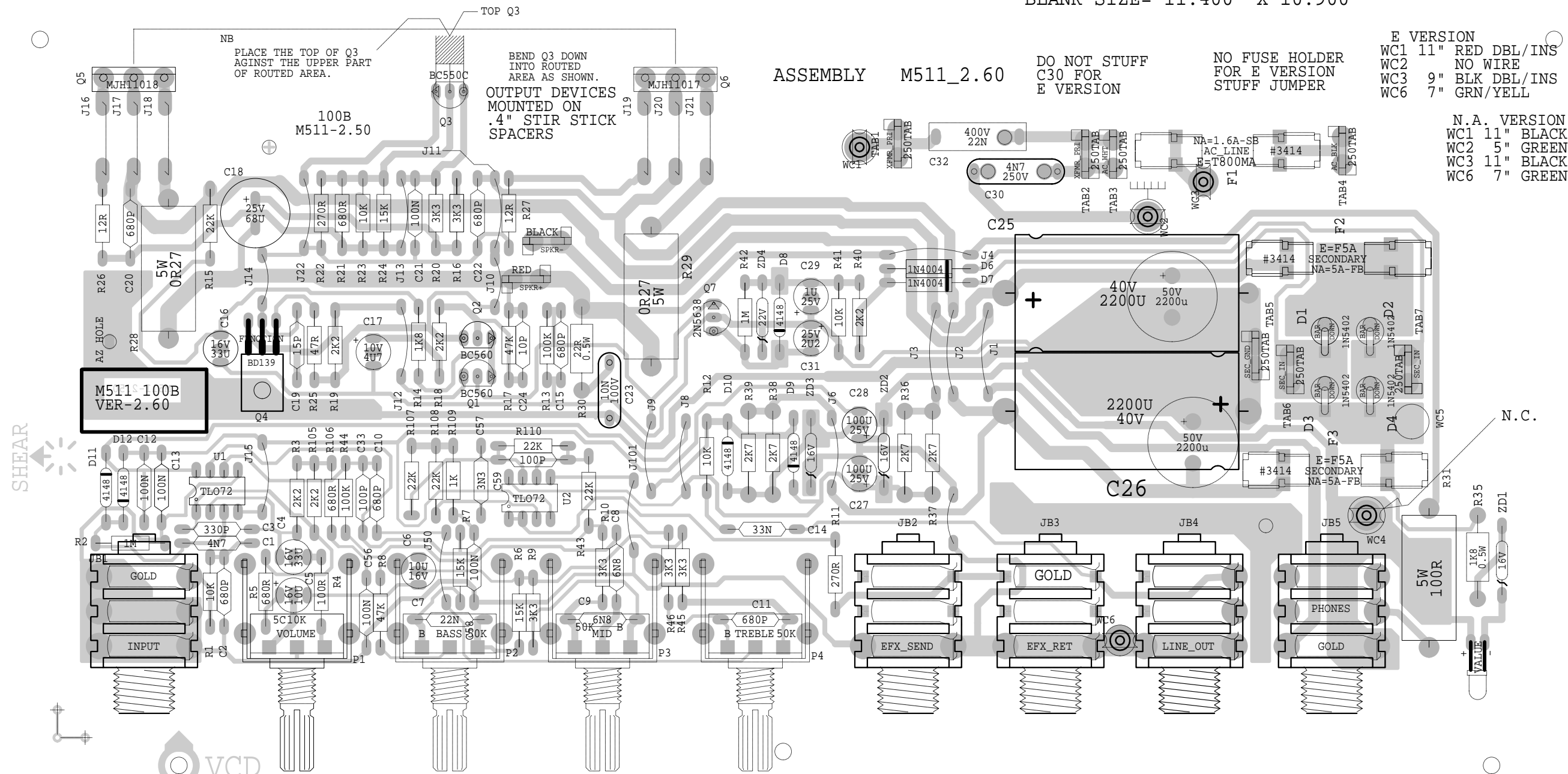
BD139

2N5638

BC550C
 BC560C

NOTE: ALL UNMARKED DIODES 1N4148
 THE 100B BY A.WILSON AND C.CHIU

YORKVILLE	DATE: FEB/23/98	MODELS: BM100CE	SCH ISSUE: 1.80
	NAME: M511SV18.SCH	TITLE: BASS_AMP_100_WATTS	



M511.PCB_DATABASE_HISTORY			
#	DATE	VER#	DESCRIPTION OF CHANGE
MODEL(S) :- 100B			
1	MAR/17/94	2.31	PC#4562_D6/D7_1N4148-->BAV21
2	SEP/12/94	2.40	PC#4625_C26,C25 HOLES PROVIDED TO USE RADIAL CAP PT#5887
3	D	V	PC#4780_D6/D7_BAV21-->1N4004
4	MAY/01/95	2.50	PC#4801_ADD 10P ACROSS R17
5	D	V	PC#5108_D6,D7 HOLE SIZE CHANGE
6	D	V	PC#5623_C1_18N->4N7_C3_1N8->330P
7	FEB/23/98	2.60	C7_47N->22N_C8/C9_18N->6N8_C10/C11_1N2->680P_C57_22N->3N3_C58_150N->-100N_C14_100N->33N_R106_1K->680R_R6/R7_6K8->15K_R107/R108_10K->22K_R109_150R->1K
8	.	.	.
9	.	.	.
10	.	.	.
11	.	.	.
12	.	.	.
13	D	V	N
14	D	V	N
15	D	V	N
16	D	V	N
17	D	V	N
18	D	V	N
19	D	V	N
20	D	V	N
21	D	V	N
22	D	V	N
23	D	V	N
24	D	V	N
25	D	V	N
26	D	V	N
27	D	V	N
28	D	V	N
29	D	V	N
30	D	V	N
31	D	V	N
32	D	V	N
33	D	V	N
34	D	V	N
35	D	V	N
36	D	V	N
37	D	V	N
38	D	V	N
39	D	V	N
40	D	V	N
41	D	V	N
42	D	V	N
43	D	V	N
44	D	V	N
45	D	V	N
46	D	V	N
47	D	V	N
48	D	V	N
49	D	V	N
50	D	V	N

PRODUCTION NOTES
 1 FOR "S" VERDSION SECONDARY FUSES USE #2479 (F5A)