



SERVICE MANUAL

MODEL TYPE: YS1043

éXcursion 1000 ***(EX1)***

WEB ACCESS: <http://www.yorkville.com>

WORLD HEADQUARTERS CANADA

Yorkville Sound
550 Granite Court
Pickering, Ontario
L1W-3Y8 CANADA

Voice: (905) 837-8481
Fax: (905) 837-8746

U.S.A.

Yorkville Sound Inc.
4625 Witmer Industrial Estate
Niagara Falls, New York
14305 USA

Voice: (716) 297-2920
Fax: (716) 297-3689



Quality and Innovation Since 1963
Printed in Canada



IMPORTANT SAFETY INSTRUCTIONS



INSTRUCTIONS PERTAINING TO A RISK OF FIRE, ELECTRIC SHOCK, OR INJURY TO PERSONS

CAUTION:

TO REDUCE THE RISK OF ELECTRIC SHOCK, DO NOT REMOVE COVER (OR BACK).

NO USER SERVICEABLE PARTS INSIDE.

REFER SERVICING TO QUALIFIED SERVICE PERSONNEL.

INSTRUCTIONS RELATIVES AU RISQUE DE FEU, CHOC ÉLECTRIQUE, OU BLESSURES AUX PERSONNES

AVIS:

AFIN DE REDUIRE LES RISQUE DE CHOC ELECTRIQUE, N'ENLEVEZ PAS LE COUVERT (OU LE PANNEAU ARRIERE)

NE CONTIENT AUCUNE PIECE REPARABLE PAR L'UTILISATEUR.

CONSULTEZ UN TECHNICIEN QUALIFIE POUR L'ENTRETIEN

Read Instructions

The Owner's Manual should be read and understood before operation of your unit. Please, save these instructions for future reference.

Packaging

Keep the box and packaging materials, in case the unit needs to be returned for service.

Warning

When using electric products, basic precautions should always be followed, including the following:

Power Sources

Your unit should be connected to a power source only of the voltage specified in the owners manual or as marked on the unit. This unit has a polarized plug. Do not use with an extension cord or receptacle unless the plug can be fully inserted. Precautions should be taken so that the grounding scheme on the unit is not defeated.

Hazards

Do not place this product on an unstable cart, stand, tripod, bracket or table. The product may fall, causing serious personal injury and serious damage to the product. Use only with cart, stand, tripod, bracket, or table recommended by the manufacturer or sold with the product. Follow the manufacturer's instructions when installing the product and use mounting accessories recommended by the manufacturer.

The apparatus should not be exposed to dripping or splashing water; no objects filled with liquids should be placed on the apparatus.

Terminals marked with the "lightning bolt" are hazardous live; the external wiring connected to these terminals require installation by an instructed person or the use of ready made leads or cords.

No naked flame sources, such as lighted candles, should be placed on the apparatus.

Power Cord

The AC supply cord should be routed so that it is unlikely that it will be damaged. If the AC supply cord is damaged DO NOT OPERATE THE UNIT.

Service

The unit should be serviced only by qualified service personnel.

Veillez Lire le Manuel

Il contient des informations qui devraient être comprises avant l'opération de votre appareil. Conservez S.V.P. ces instructions pour consultations ultérieures.

Emballage

Conservez la boîte au cas où l'appareil devait être retourner pour réparation.

Attention:

Lors de l'utilisation de produits électrique, assurez-vous d'adhérer à des précautions de bases incluant celle qui suivent:

Alimentation

L'appareil ne doit être branché qu'à une source d'alimentation correspondant au voltage spécifié dans le manuel ou tel qu'indiqué sur l'appareil. Cet appareil est équipé d'une prise d'alimentation polarisée. Ne pas utiliser cet appareil avec un cordon de raccordement à moins qu'il soit possible d'insérer complètement les trois lames. Des précautions doivent être prises afin d'éviter que le système de mise à la terre de l'appareil ne soit désengagé.

Risque

Ne pas placer cet appareil sur un chariot, un support, un trépied ou une table instables. L'appareil pourrait tomber et blesser quelqu'un ou subir des dommages importants. Utiliser seulement un chariot, un support, un trépied ou une table recommandés par le fabricant ou vendus avec le produit. Suivre les instructions du fabricant pour installer l'appareil et utiliser les accessoires recommandés par le fabricant.

Il convient de ne pas placer sur l'appareil de sources de flammes nues, telles que des bougies allumées.

L'appareil ne doit pas être exposé à des égouttements d'eau ou des éclaboussures et qu'aucun objet rempli de liquide tel que des vases ne doit être placé sur l'appareil.

Les dispositifs marqués d'une symbole "d'éclair" sont des parties dangereuses au toucher et que les câblages extérieurs connectés à ces dispositifs de connexion extérieure doivent être effectués par un opérateur formé ou en utilisant des cordons déjà préparés.

Cordon d'Alimentation

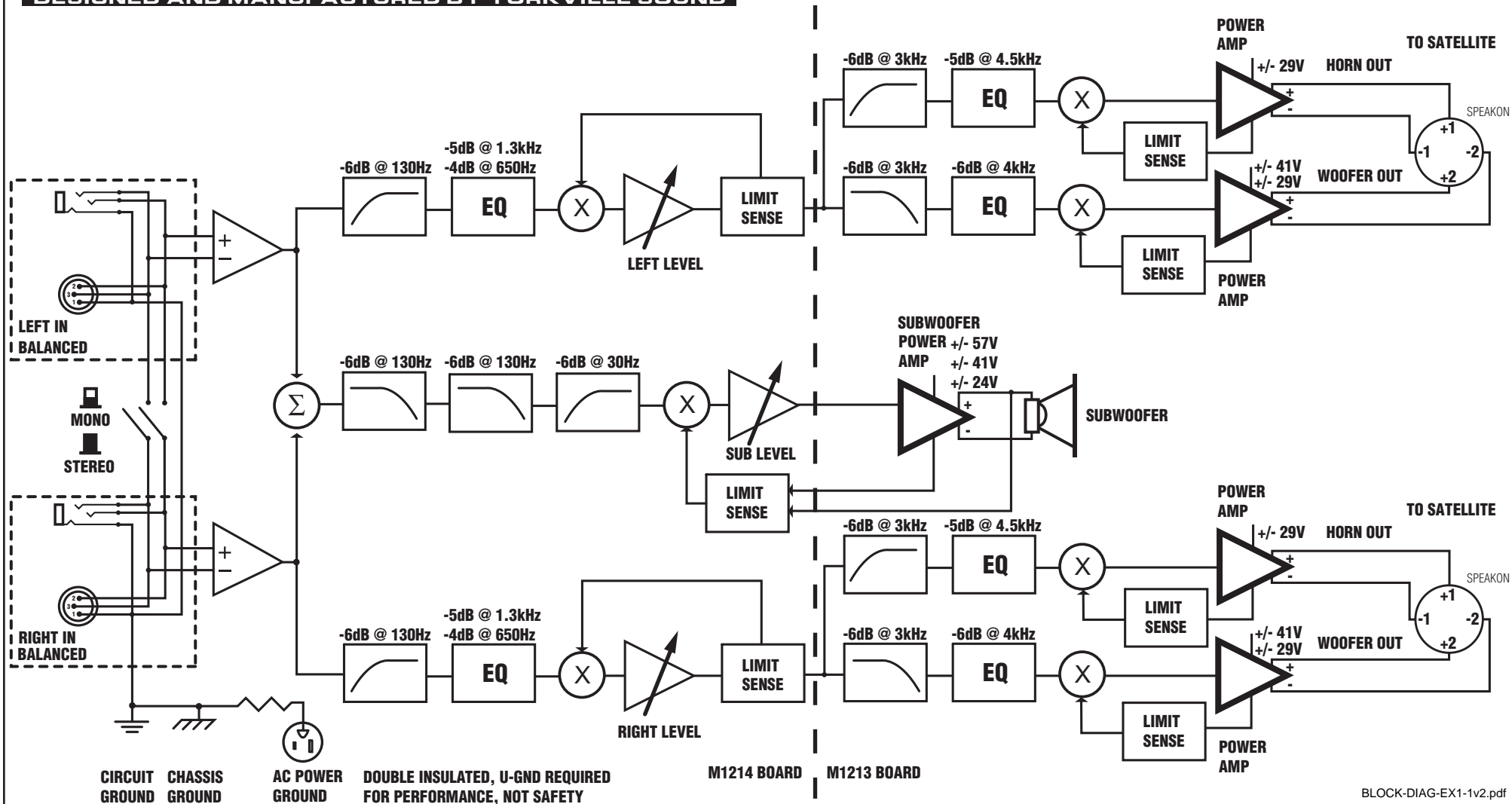
Évitez d'endommager le cordon d'alimentation. N'UTILISEZ PAS L'APPAREIL si le cordon d'alimentation est endommagé.

Service

Consultez un technicien qualifié pour l'entretien de votre appareil.

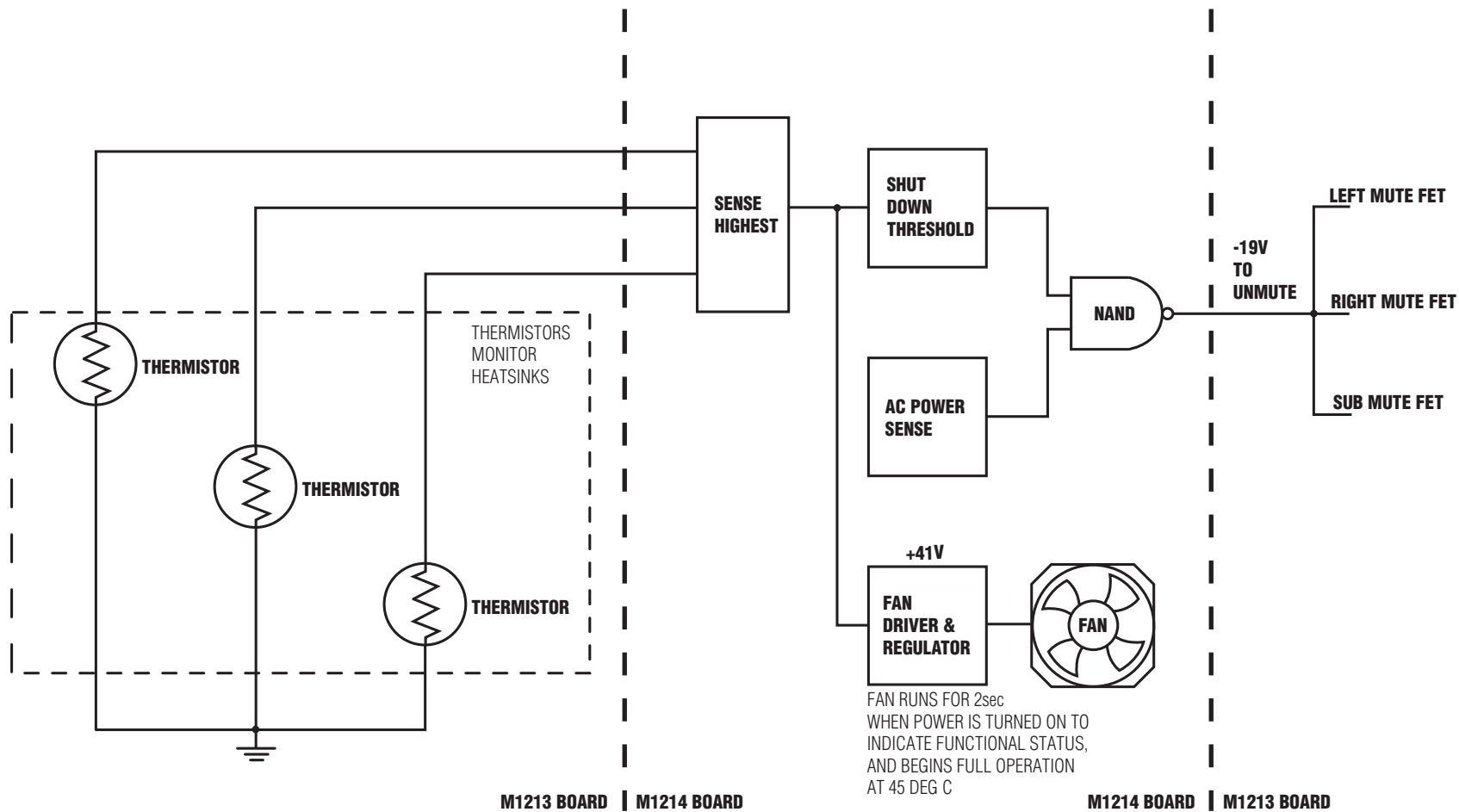
Block Diagram for EX1-Page 1 of 2

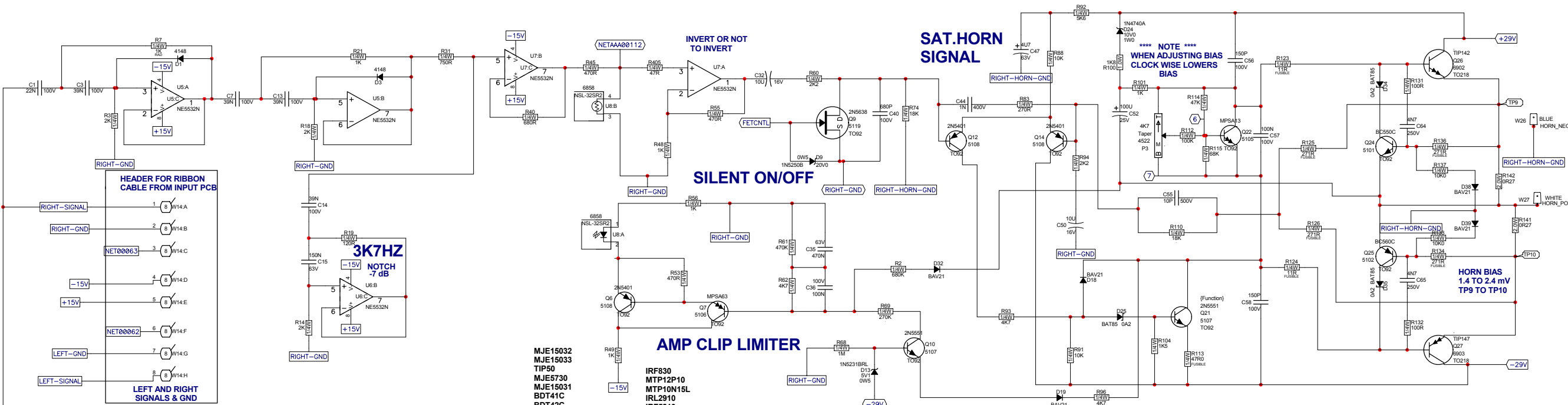
DESIGNED AND MANUFACTURED BY YORKVILLE SOUND



Block Diagram for EX1-Page 2 of 2

DESIGNED AND MANUFACTURED BY YORKVILLE SOUND



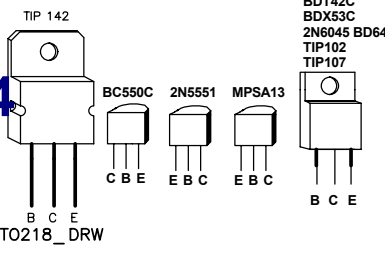
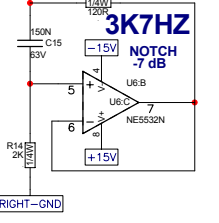
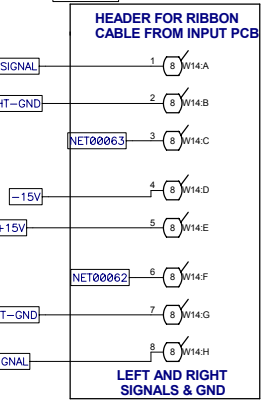


**FORCE UPDATED
OCTOBER 28 2004**

EXCURSION 1000

**SAT.
HORN
AMP.

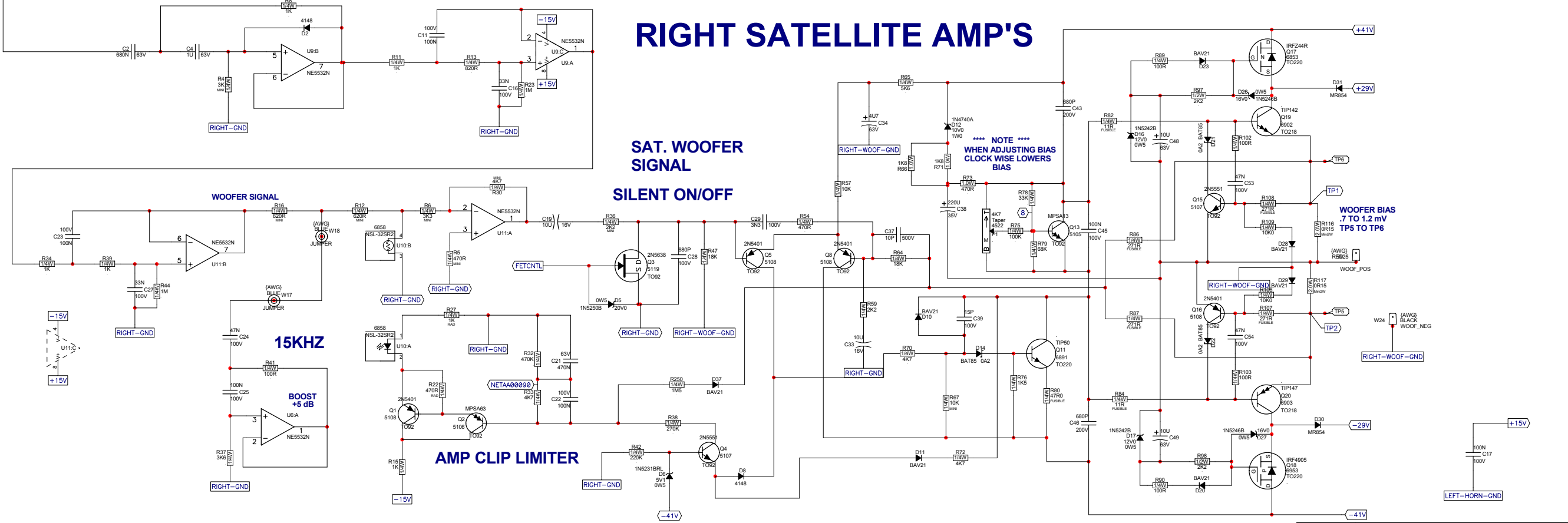
SAT.WOOFER AMP.**

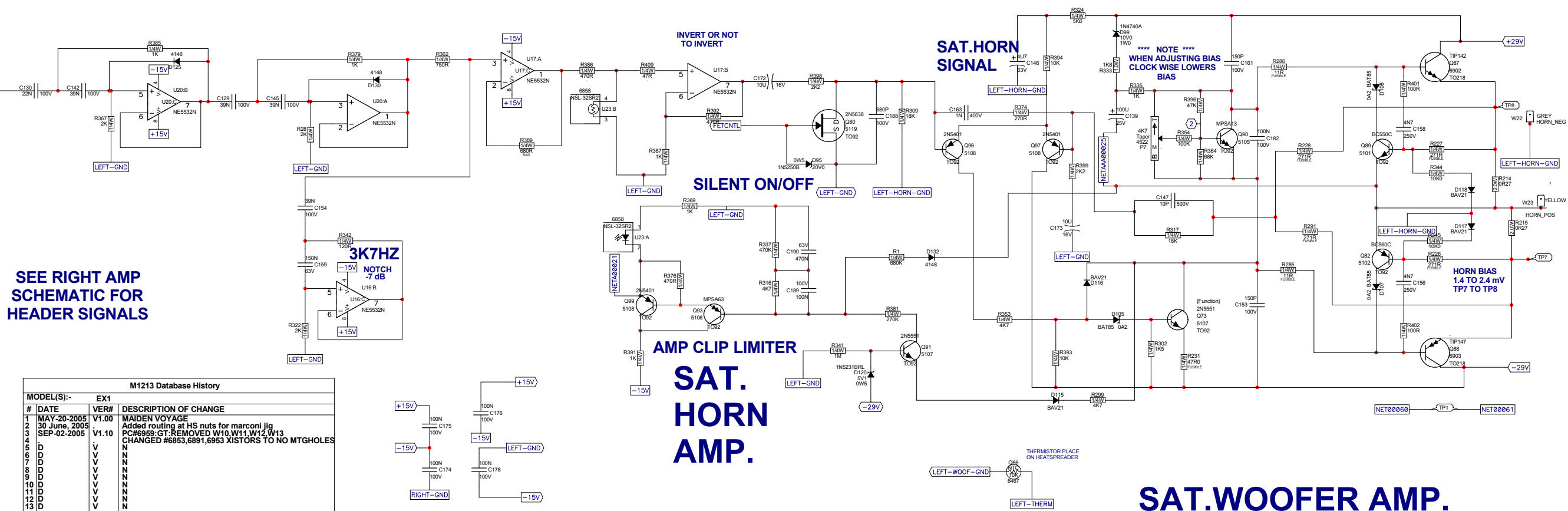


- MJE15032
- MJE15033
- TIP50
- MJE5730
- MJE15031
- BDT41C
- BDT42C
- BDX53C
- 2N6045 BD649
- TIP102
- TIP107

- IRF830
- MTP12P10
- MTP10N15L
- IRL2910
- IRF5210
- MTP2P50E
- MTP8P20
- IRF720
- MTP23P06
- IRF822
- IRF4905

RIGHT SATELLITE AMP'S



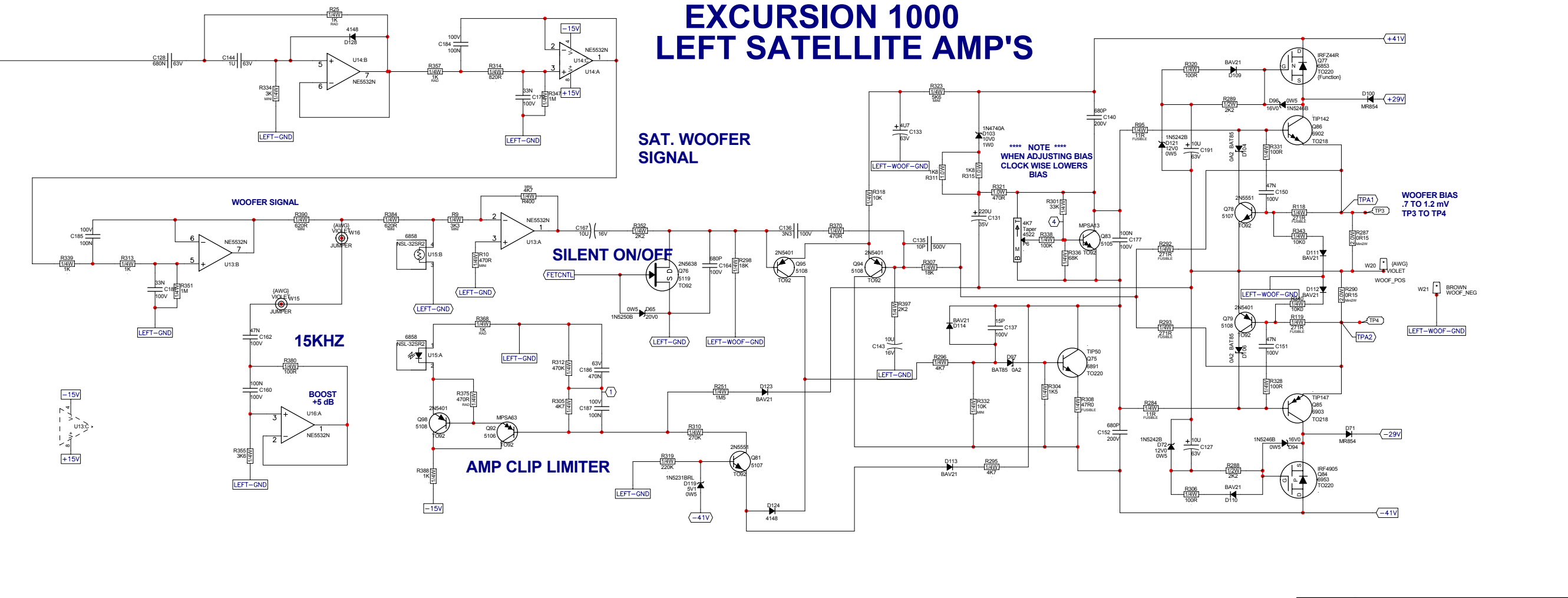


SEE RIGHT AMP SCHEMATIC FOR HEADER SIGNALS

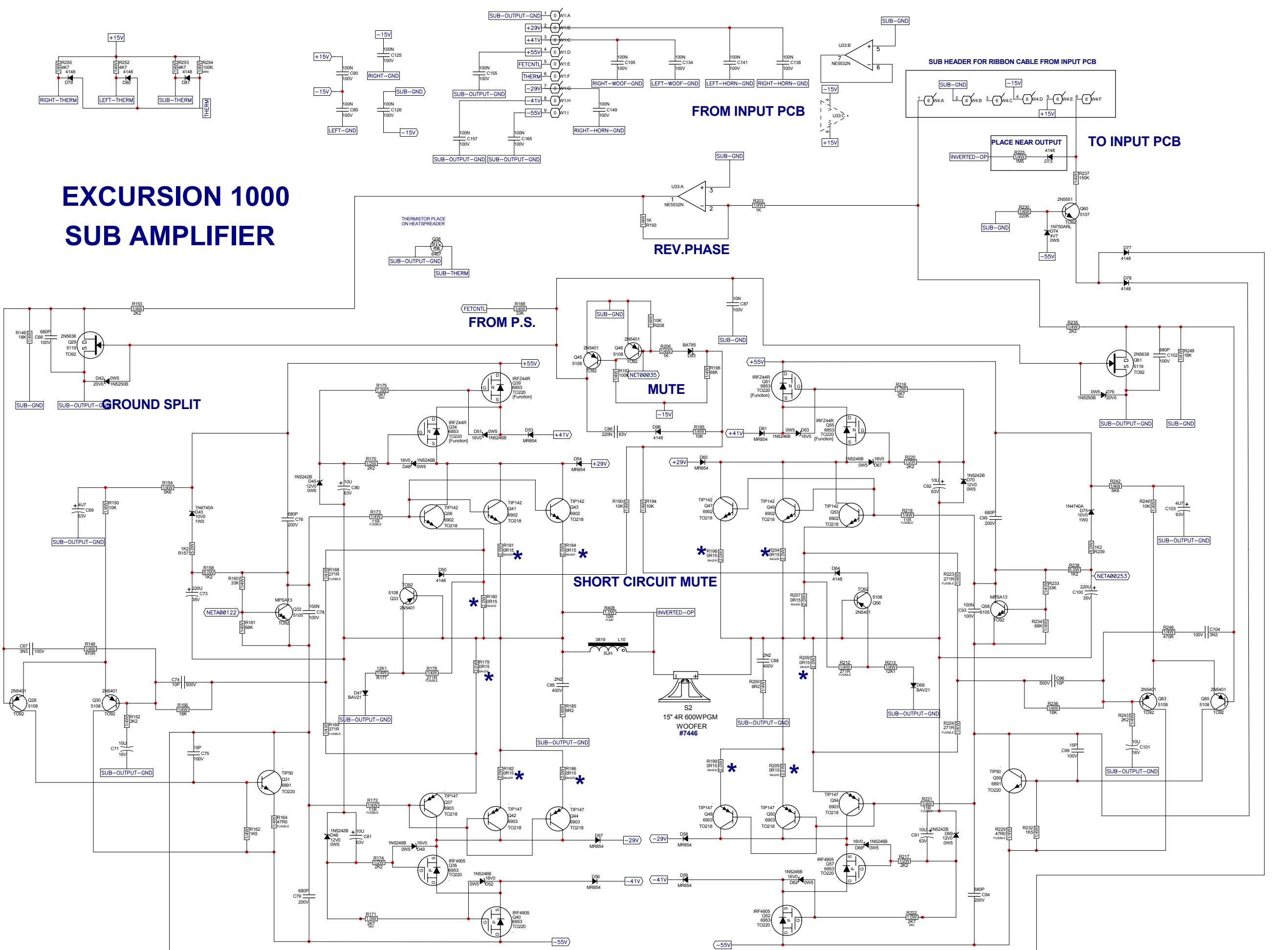
M1213 Database History

MODEL(S):-	EX1	DATE	VER#	DESCRIPTION OF CHANGE
1	MAY-20-2005	V1.00	MAIDEN VOYAGE	
2	30 June, 2005		Added routing at HS nuts for marconi jig	
3	SEP-02-2005	V1.10	PC#6959:GT:REMOVED W10,W11,W12,W13	
4			CHANGED #6853,6891,6953 XISTORS TO NO MTGHOLES	
5	D		N	
6	D		N	
7	D		N	
8	D		N	
9	D		N	
10	D		N	
11	D		N	
12	D		N	
13	D		N	

EXCURSION 1000 LEFT SATELLITE AMP'S

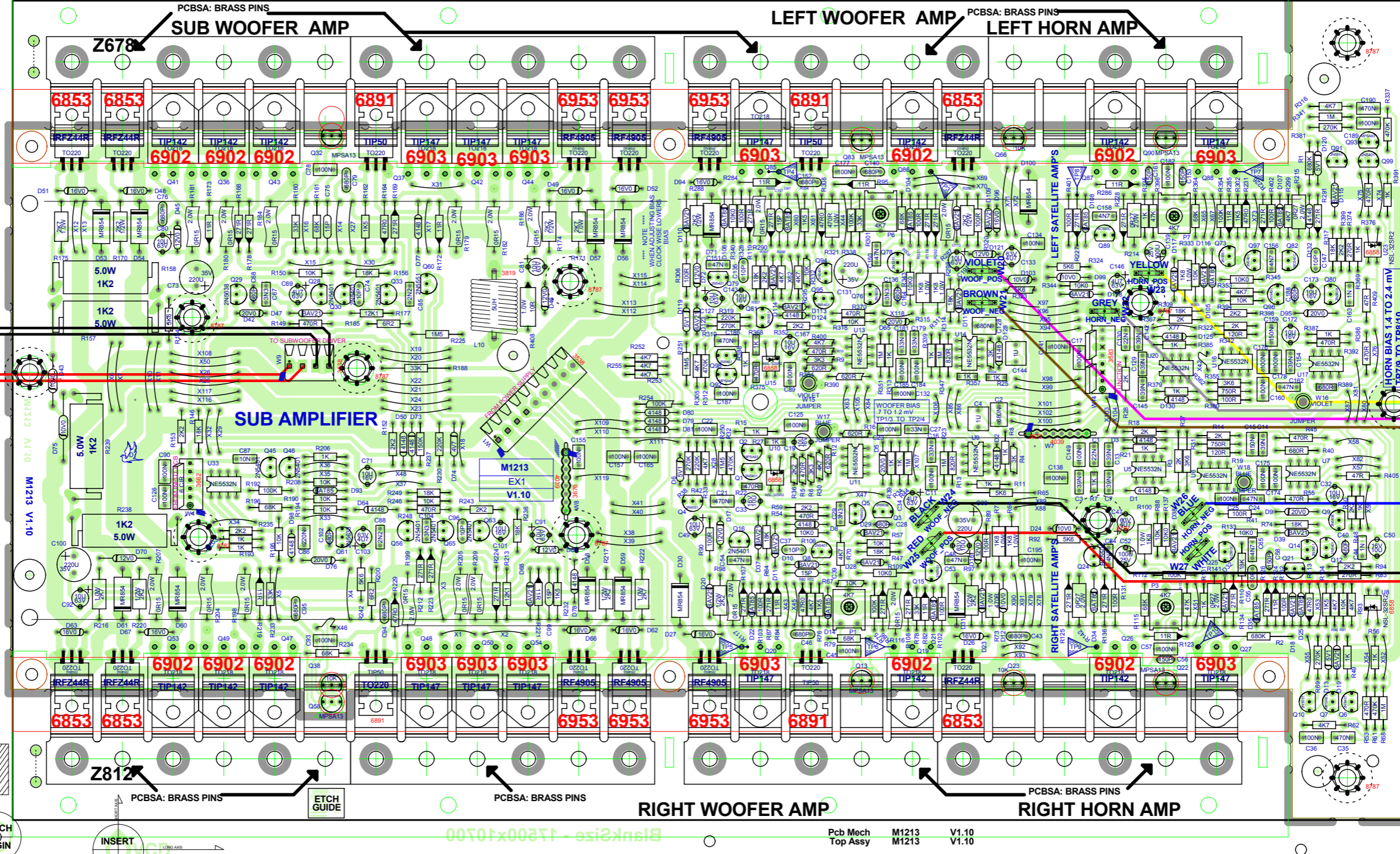
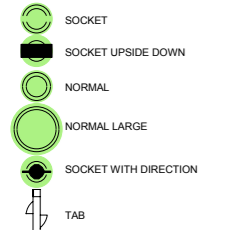


EXCURSION 1000 SUB AMPLIFIER



BlankSize - 17500x10700
StepAndRepeat - X1@0Y1@0

ETCH GUIDE



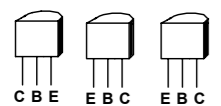
IRF830
MTP12P10
IRL2910
IRF5210
MTP2P50E
MTP8P20
IRF720
MTP23P06
IRF822
IRF4905

G D S

SEE PROD. NOTE #2

TIP 142

BC560C 2N5551 MPSA13
BC550C 2N5401 MPSA63



MJE15032
MJE15033
TIP50
MJE5730
MJE15031
BDT41C
BDT42C
BDX53C
2N6045 BD649
TIP102
TIP107



B C E

M1213 Database History

MODEL(S):-	EX1	VER#	DESCRIPTION OF CHANGE
#	DATE	VER#	DESCRIPTION OF CHANGE
1	MAY-20-2005	V1.00	MAIDEN VOYAGE
2	30 June, 2005	V1.10	Added routing at HS nuts for marconi jig
3	SEP-02-2005	V1.10	PC#6959:GT:REMOVED W10,W11,W12,W13
4			CHANGED #6853,6891,6953 XISTORS TO NO MTGHOLE
5	NOV-03-2005		GT:REPLACED HOLE_189 TO 8787 HEXNUT PARTS AS PER WIRING MODEL_71 LOCATIONS NOT INCL. HEATSINK
6			
7			
8			
9			
10			
11			
12			
13			

M1213 DRILLING HISTORY

MODEL(S):-	EX1	DATE	VER#	DESCRIPTION OF CHANGE
#	DATE <td>VER# <td>DESCRIPTION OF CHANGE</td> </td>	VER# <td>DESCRIPTION OF CHANGE</td>	DESCRIPTION OF CHANGE	
1	MAY-31-2005	V01	FIRST RELEASE	
2	SEP-02-2005	V02	PC#6959:REMOVED TABS AND EXTRA XISTOR HOLES	
3				
4				
5				
6				

M1213 PENDING CHANGES

MODEL(S):-	EX1	PC#	PENDING CHANGE
#	PC#		PENDING CHANGE
1	PC	X	
2	PC	X	
3	PC	X	
4	PC	X	
5	PC	X	
6	PC	X	

*PLACE IMPLEMENTED CHANGES INTO BOARD HISTORY

PRODUCTION NOTES

- P.C.B.S.A.: INSERT VIOLET AND BLUE WIRE JUMPERS INTO EYELETS W17 TO W18 AND W15 TO W16.
- P.C.B.S.A.: #8761 & #8760 SCREW AND NUT TO ALIGN HEAT SPREADER X 6.
- APPLY MICA GREASE WITH ROLLER UNDER SIL-PAD
- APPLY MICA GREASE IN THERMISTER HOLES ON HEAT SPREADERS IN PCBSA. SEVEN HOLES UNDER SPRINGS
- TORQUE SPRING BRACKETS TO 20LBS/SQUARE INCH

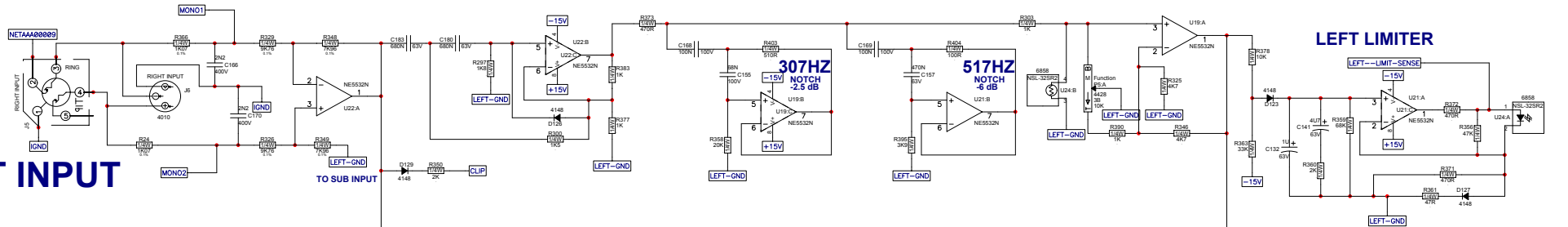
50% COPPER

#3559

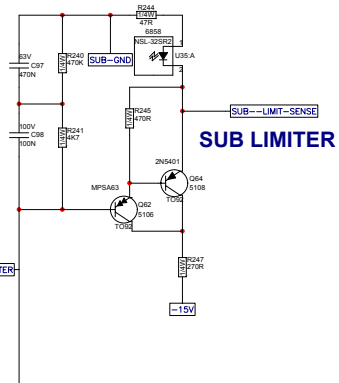
Pcb Mech M1213 V1.10
Top Assy M1213 V1.10

EX1

LEFT INPUT

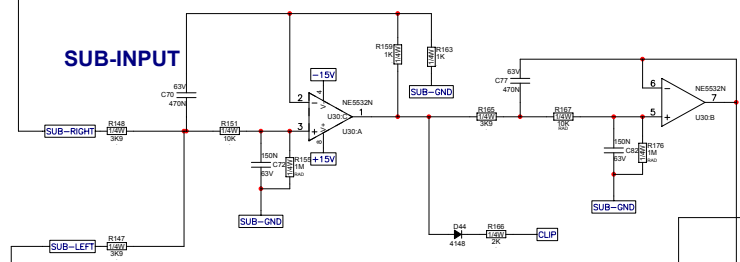


FROM AMP PCB

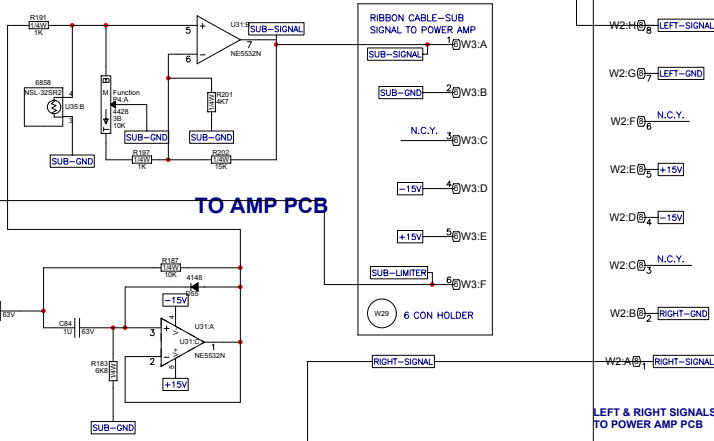


SUB LIMITER

SUB-INPUT



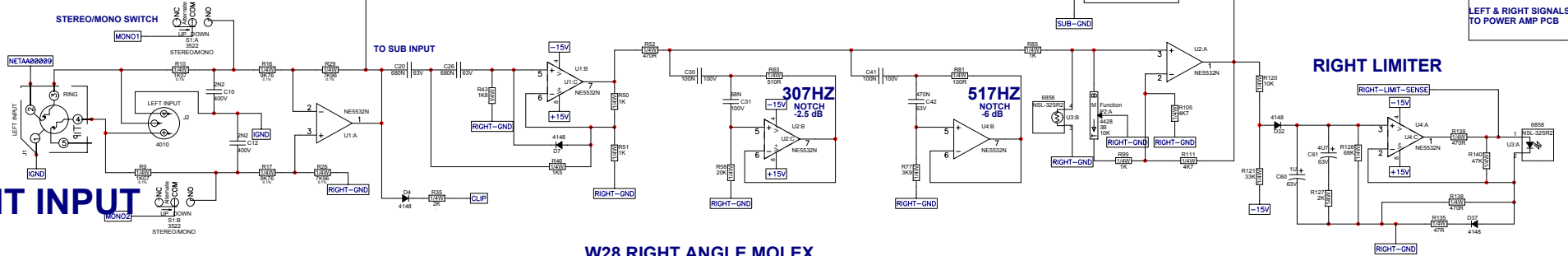
TO AMP PCB



- W1 9 CON HOLDER
- RIBBON CABLE-SUB SIGNAL TO POWER AMP
- W2:1 @ LEFT-SIGNAL
- W2:2 @ LEFT-GND
- W2:3 @ N.C.Y.
- W2:4 @ N.C.Y.
- W2:5 @ -15V
- W2:6 @ -15V
- W2:7 @ N.C.Y.
- W2:8 @ N.C.Y.
- W2:9 @ RIGHT-GND
- W2:10 @ RIGHT-SIGNAL
- W2:11 @ RIGHT-GND

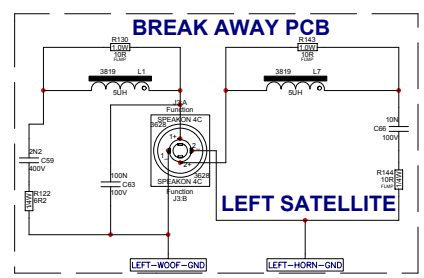
EX1

RIGHT INPUT

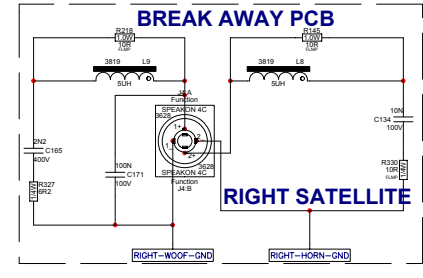


RIGHT LIMITER

NETAA08023 2-1 0225H LEFT-HORN-GND 2-2 W22:G NETA08012 2-1 0225F LEFT-WOOF-GND 2-3 W22:F NETAA08022 1-1 0225A RIGHT-WOOF-GND 2-4 W22:B RIGHT-HORN-GND 3-1 W22:C NETA08013 1-1 0225E

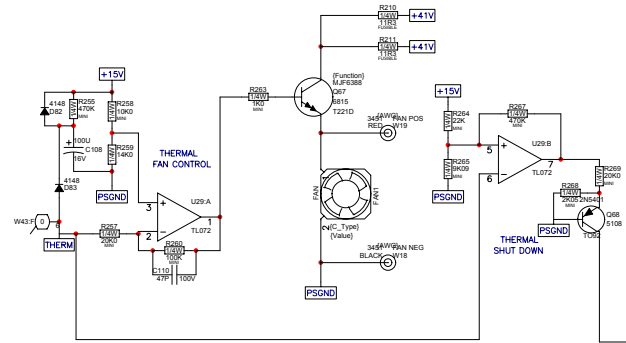


LEFT SATELLITE

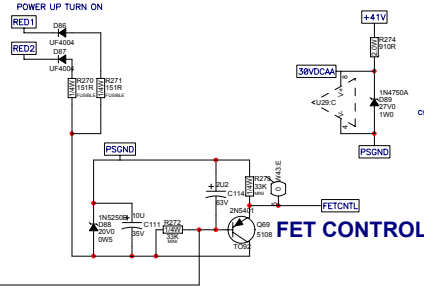


RIGHT SATELLITE

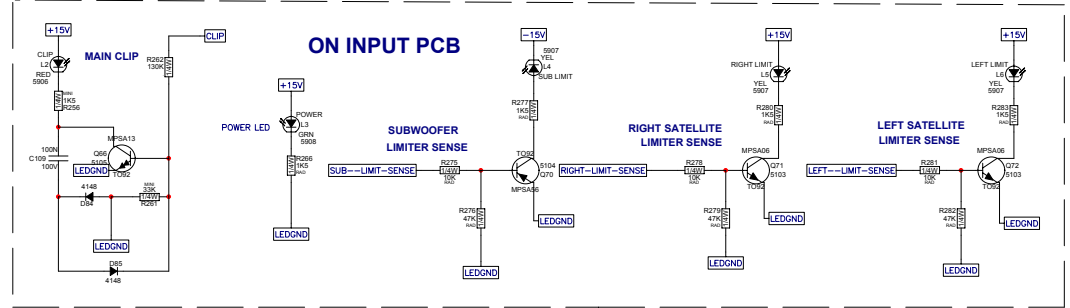
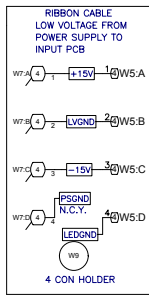
EXCURSION 1000 POWER SUPPLY



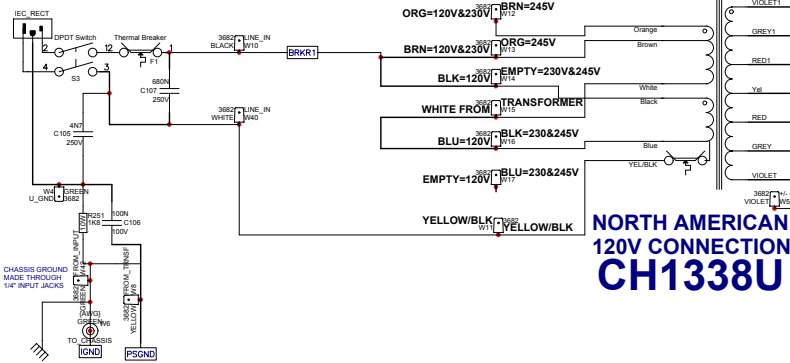
FROM AMP PCB



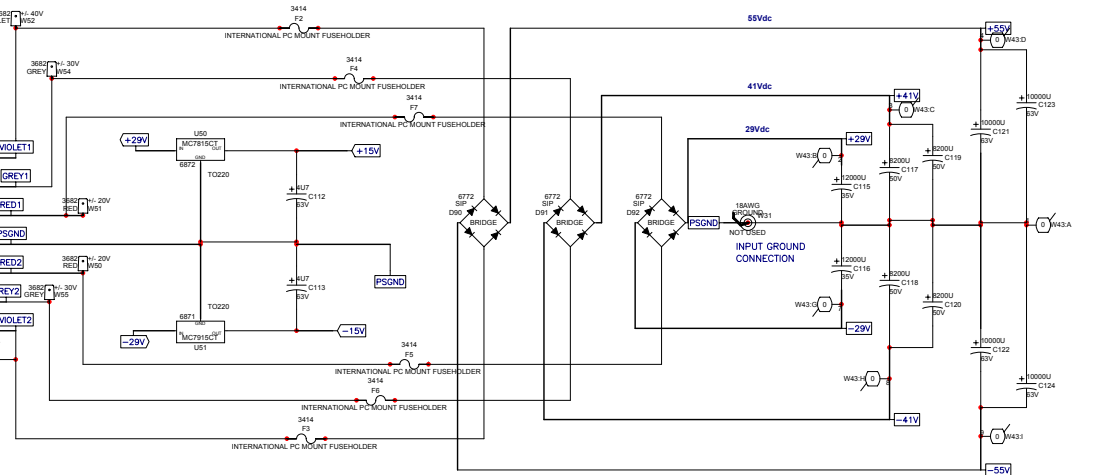
FET CONTROL



ON INPUT PCB



NORTH AMERICAN
120V CONNECTION
CH138U



M1214.PCB_DATABASE_HISTORY			
MODEL(S):-	EX1	DATE	DESCRIPTION OF CHANGE
1	JUN-23-2005	1V0	FIRST RELEASE
2	AUG-15-2005	1V1	PC#8950-GT-ROUTING INCREASED IN CORNER, ADD HOLE TO UPPER RIGHT CORNER
3	SEP-01-2005	.	PC#8950-GT-CHANGED HOLE140'S TO HOLE156'S
4	.	.	PC#8957-GT-066&C134 #5208 2N2->#5204 10N, R144&R330 #4913 BR2->#2009 10R AH, PC#7091, #3522 ENLARGE HOLE SIZE.
5	.	.	
6	.	.	
7	.	.	
8	.	.	
9	.	.	
10	.	.	
11	.	.	
12	.	.	
13	.	.	

EXCURSION 1000			
MODEL(S):-	EX1	REF	FUNCTION PART# KNOB (NEW)
P5			LEFT GAIN CONT 4428 GRAY N
P2			RIGHT GAIN CONT 4428 GRAY N
P4			SUB GAIN CONT 4428 GRAY N
R			F P K N
R			F P K N
R			F P K N
R			F P K N
R			F P K N
R			F P K N
R			F P K N
R			F P K N
R			F P K N

ETCH GUIDE

MICA GREASE UNDER ALL BRIDGES

- SOCKET
- SOCKET UPSIDE DOWN
- NORMAL
- NORMAL LARGE
- SOCKET WITH DIRECTION
- TAB

CLINCH ORIGIN

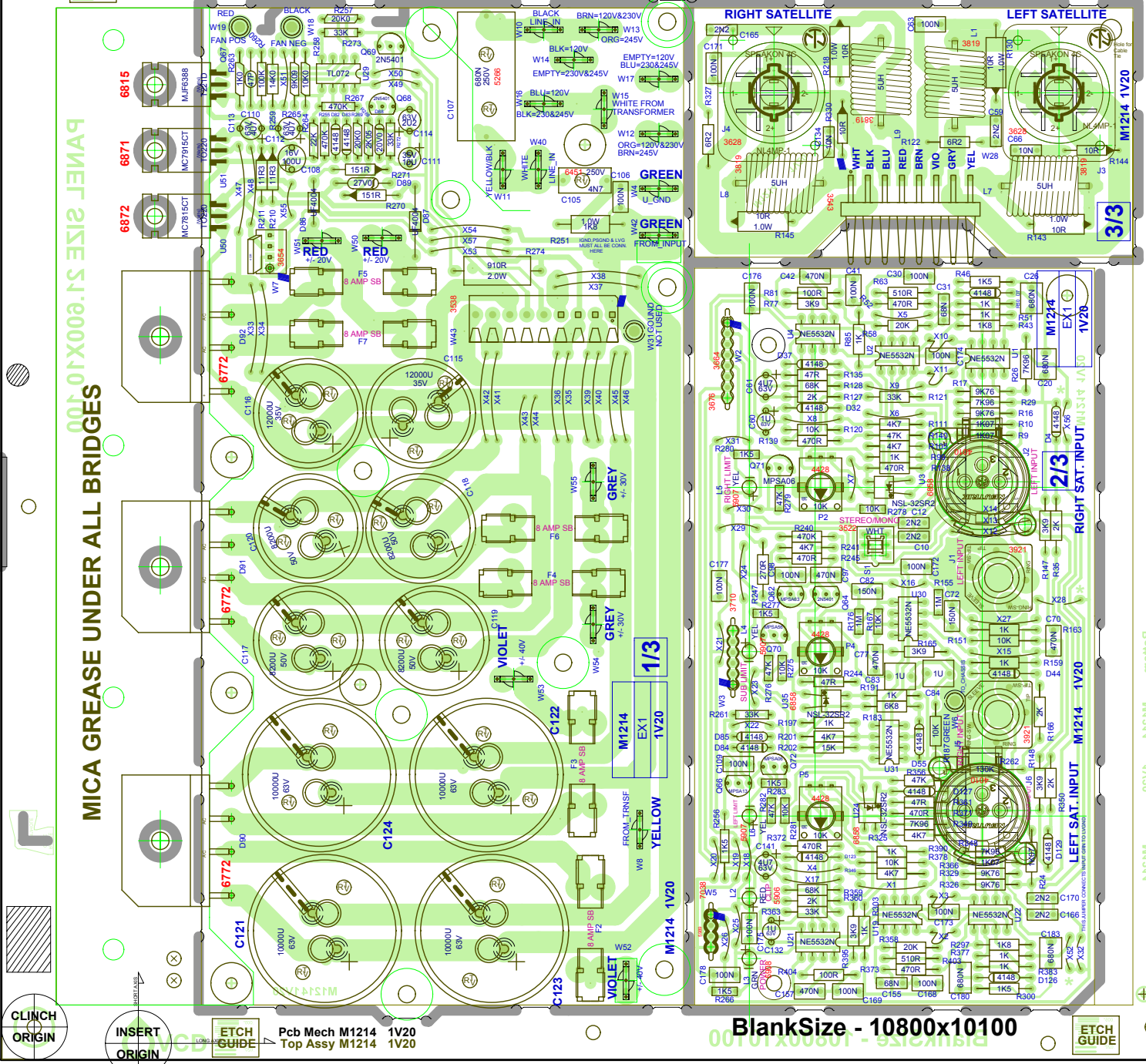
INSERT ORIGIN

ETCH GUIDE

Pcb Mech M1214 1V20
Top Assy M1214 1V20

BlankSize - 10800x10100

ETCH GUIDE



SEE LAYOUT DOCUMENTATION



SEE LAYOUT DIAGRAM



M1214.PCB_DATABASE_HISTORY

MODEL(S):- EX1			
#	DATE	VER#	DESCRIPTION OF CHANGE
1	JUN-23-2005	1V0	FIRST RELEASE
2	AUG-15-2005	1V1	PC#6950:GT:ROUTING INCREASED IN CORNER, ADD HOLE TO UPPER RIGHT CORNER
3	.	.	PC#6950:GT:CHANGED HOLE140'S TO HOLE156'S
4	SEP-01-2005	.	PC#6957:GT:C66&C134 #5208 2N2->#5204 10N, R144&R330
5	.	.	#4813 6R2->#2009 10R
6	.	.	AH, PC#7091, #3522 ENLARGE HOLE SIZE.
7	JUN-26-2006	1V20	
8	D	V	N
9	D	V	N
10	D	V	N
11	D	V	N
12	D	V	N
13	D	V	N

M1214 DRILL HISTORY

MODEL(S):- EX1			
#	DATE	VER#	DESCRIPTION OF CHANGE
1	MAY-19-2005	V01	FIRST RELEASE
2	AUG-15-2005	V02	PC#6950:ROUTING IN CORNER, HOLE IN OTHER CORNER
3	D	V	N
4	D	V	N
5	D	V	N
6	D	V	N

M1214 PENDING CHANGES

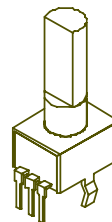
MODEL(S):- EX1		
#	PC#	PENDING CHANGE
1	6953	MOVE RTV HOLE FOR C115 TOWARD CENTER OF CAP
2	.	THIS PC IS POSTPONED UNTIL FURTHER CHANGES
3	.	NEED ARTWORK CHANGE DUE TO TRACES UNDER CAP
4	PC	X
5	PC	X
6	PC	X

PRODUCTION NOTES:

1. BOARD WILL GET DRILLED AS A MULTIPLE THEN BROKEN IN TO SEPARATE PCB'S FOR SCREENING, ROUTING AND AUTO INSERTION.

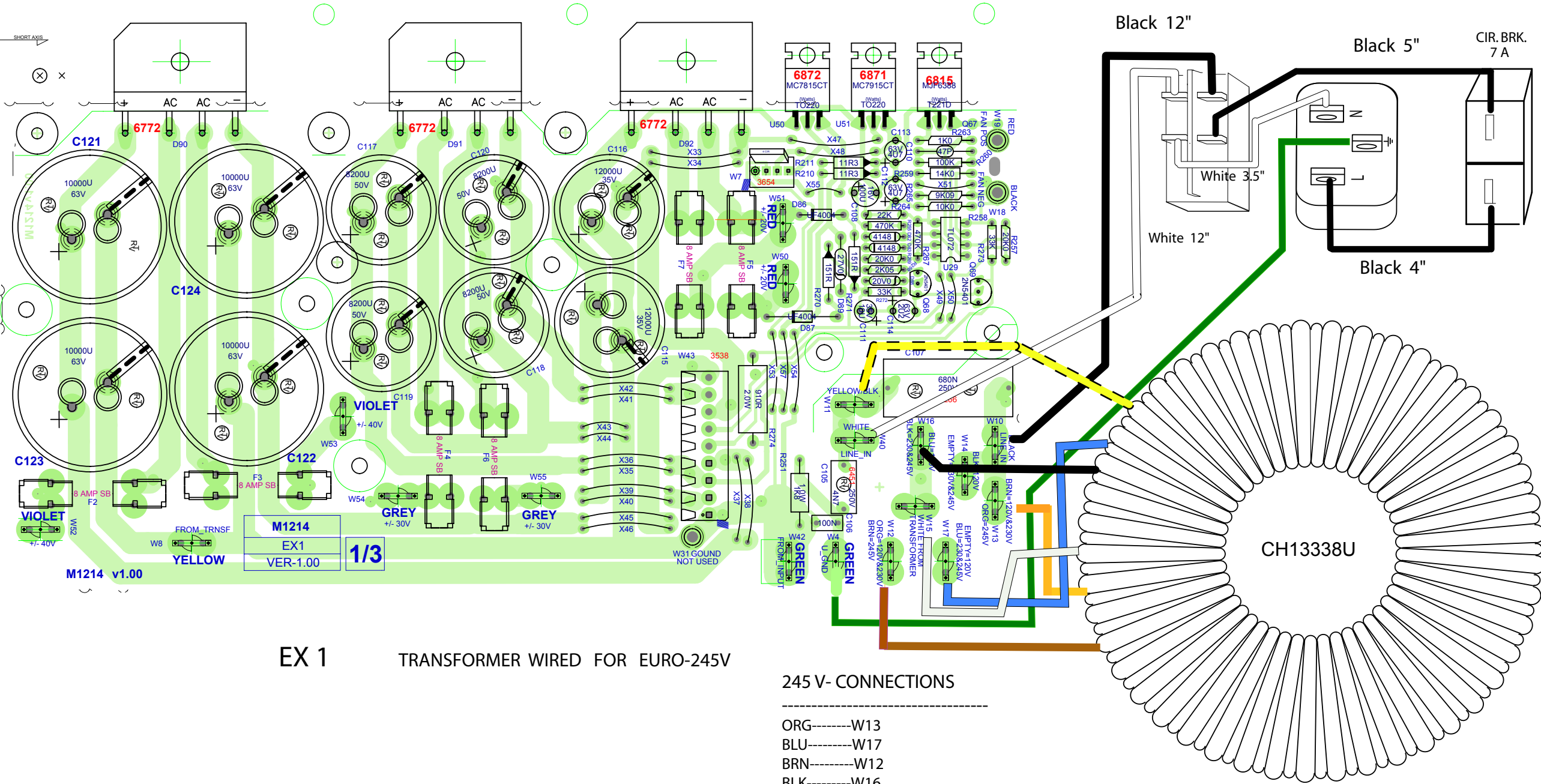
POTLIST

MODEL(S):- EX1				
REF	FUNCTION	PART#	KNOB	{NEW}
P2	RIGHT GAIN CONT	4428	GRAY	N
P4	SUB GAIN CONT	4428	GRAY	N
P5	LEFT GAIN CONT	4428	GRAY	N
R	F	P	K	N
R	F	P	K	N
R	F	P	K	N
R	F	P	K	N
R	F	P	K	N
R	F	P	K	N
R	F	P	K	N
R	F	P	K	N
R	F	P	K	N



"STYLE_P32"

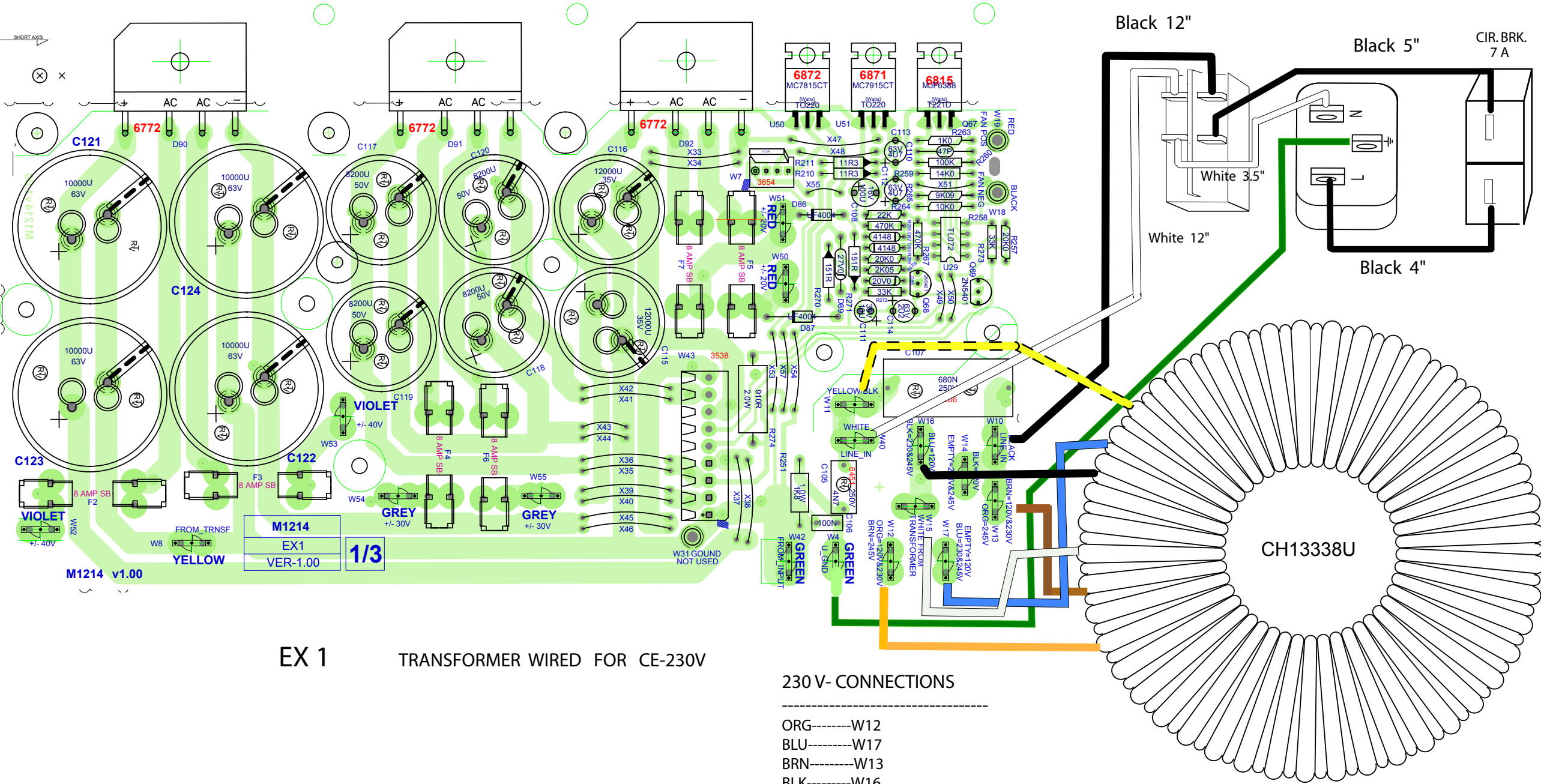
*PLACE IMPLEMENTED CHANGES INTO BOARD HISTORY



EX 1 TRANSFORMER WIRED FOR EURO-245V

245 V- CONNECTIONS

- ORG-----W13
- BLU-----W17
- BRN-----W12
- BLK-----W16
- WHT-----W15
- YEL/BLK--W11



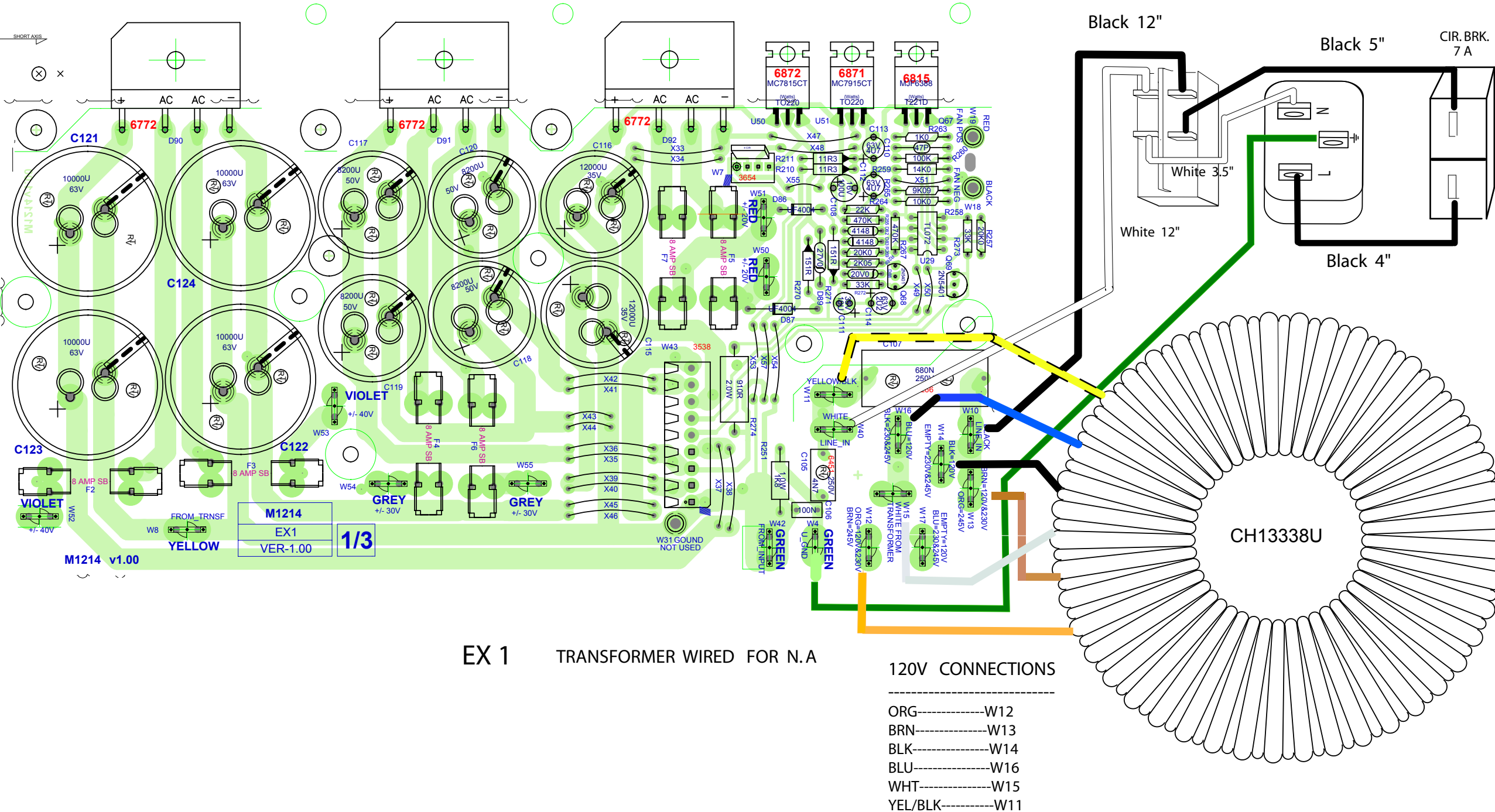
M1214 v1.00

M1214
EX1
VER-1.00
1/3

EX 1 TRANSFORMER WIRED FOR CE-230V

230 V- CONNECTIONS

- ORG-----W12
- BLU-----W17
- BRN-----W13
- BLK-----W16
- WHT-----W15
- YEL/BLK--W11



EX 1 TRANSFORMER WIRED FOR N.A

120V CONNECTIONS

- ORG-----W12
- BRN-----W13
- BLK-----W14
- BLU-----W16
- WHT-----W15
- YEL/BLK-----W11

