



SERVICE MANUAL

LS800P

TYPE: YS1023

WEB ACCESS: <http://www.yorkville.com>

WORLD HEADQUARTERS CANADA

Yorkville Sound
550 Granite Court
Pickering, Ontario
L1W-3Y8 CANADA

Voice: (905) 837-8481
Fax: (905) 837-8746

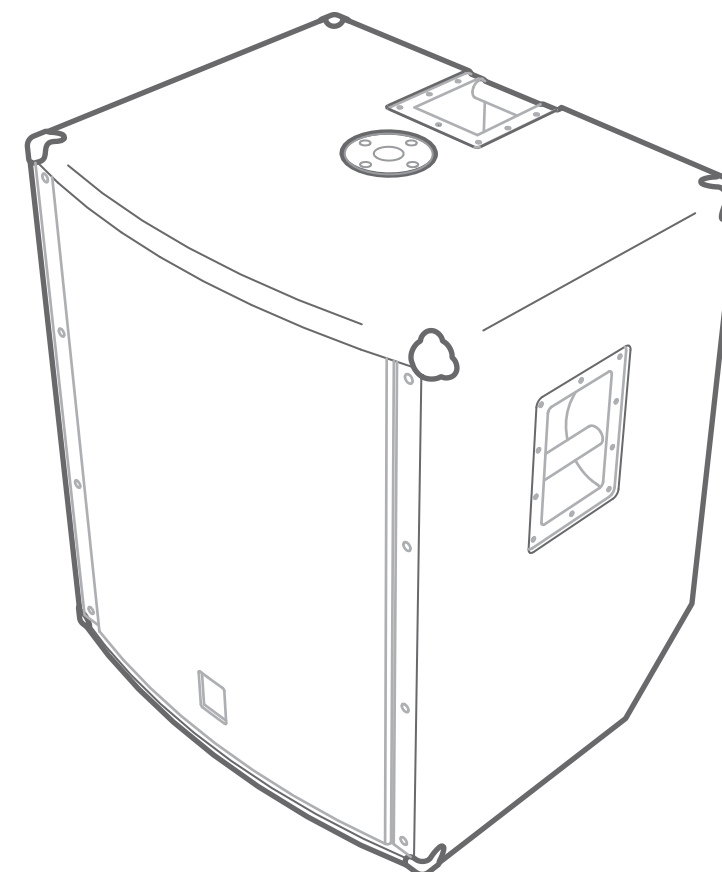
U.S.A.

Yorkville Sound Inc.
4625 Witmer Industrial Estate
Niagara Falls, New York
14305 USA

Voice: (716) 297-2920
Fax: (716) 297-3689



Quality and Innovation Since 1963
Printed in Canada



IMPORTANT SAFETY INSTRUCTIONS



INSTRUCTIONS PERTAINING TO A RISK OF FIRE, ELECTRIC SHOCK, OR INJURY TO PERSONS

CAUTION:

TO REDUCE THE RISK OF ELECTRIC SHOCK, DO NOT REMOVE COVER (OR BACK).

NO USER SERVICEABLE PARTS INSIDE.

REFER SERVICING TO QUALIFIED SERVICE PERSONNEL.

INSTRUCTIONS RELATIVES AU RISQUE DE FEU, CHOC ÉLECTRIQUE, OU BLESSURES AUX PERSONNES

AVIS:

AFIN DE REDUIRE LES RISQUE DE CHOC ELECTRIQUE, N'ENLEVEZ PAS LE COUVERT (OU LE PANNEAU ARRIERE)

NE CONTIENT AUCUNE PIECE REPARABLE PAR L'UTILISATEUR.

CONSULTEZ UN TECHNICIEN QUALIFIE POUR L'ENTRETIEN

Read Instructions

The Owner's Manual should be read and understood before operation of your unit. Please, save these instructions for future reference.

Packaging

Keep the box and packaging materials, in case the unit needs to be returned for service.

Warning

When using electric products, basic precautions should always be followed, including the following:

Power Sources

Your unit should be connected to a power source only of the voltage specified in the owners manual or as marked on the unit. This unit has a polarized plug. Do not use with an extension cord or receptacle unless the plug can be fully inserted. Precautions should be taken so that the grounding scheme on the unit is not defeated.

Hazards

Do not place this product on an unstable cart, stand, tripod, bracket or table. The product may fall, causing serious personal injury and serious damage to the product. Use only with cart, stand, tripod, bracket, or table recommended by the manufacturer or sold with the product. Follow the manufacturer's instructions when installing the product and use mounting accessories recommended by the manufacturer.

The apparatus should not be exposed to dripping or splashing water; no objects filled with liquids should be placed on the apparatus.

Terminals marked with the "lightning bolt" are hazardous live; the external wiring connected to these terminals require installation by an instructed person or the use of ready made leads or cords.

Ensure that proper ventilation is provided around the appliance.

No naked flame sources, such as lighted candles, should be placed on the apparatus.

Power Cord

The AC supply cord should be routed so that it is unlikely that it will be damaged. If the AC supply cord is damaged DO NOT OPERATE THE UNIT.

Service

The unit should be serviced only by qualified service personnel.

Veillez Lire le Manuel

Il contient des informations qui devraient être comprises avant l'opération de votre appareil. Conservez S.V.P. ces instructions pour consultations ultérieures.

Emballage

Conservez la boîte au cas où l'appareil devait être retourner pour réparation.

Attention:

Lors de l'utilisation de produits électrique, assurez-vous d'adhérer à des précautions de bases incluant celle qui suivent:

Alimentation

L'appareil ne doit être branché qu'à une source d'alimentation correspondant au voltage spécifié dans le manuel ou tel qu'indiqué sur l'appareil. Cet appareil est équipé d'une prise d'alimentation polarisée. Ne pas utiliser cet appareil avec un cordon de raccordement à moins qu'il soit possible d'insérer complètement les trois lames. Des précautions doivent être prises afin d'éviter que le système de mise à la terre de l'appareil ne soit désengagé.

Risque

Ne pas placer cet appareil sur un chariot, un support, un trépied ou une table instables. L'appareil pourrait tomber et blesser quelqu'un ou subir des dommages importants. Utiliser seulement un chariot, un support, un trépied ou une table recommandés par le fabricant ou vendus avec le produit. Suivre les instructions du fabricant pour installer l'appareil et utiliser les accessoires recommandés par le fabricant.

Il convient de ne pas placer sur l'appareil de sources de flammes nues, telles que des bougies allumées.

L'appareil ne doit pas être exposé à des égouttements d'eau ou des éclaboussures et qu'aucun objet rempli de liquide tel que des vases ne doit être placé sur l'appareil.

Assurez que l'appareil est fourni de la propre ventilation.

Les dispositifs marqués d'un symbole "d'éclair" sont des parties dangereuses au toucher et que les câblages extérieurs connectés à ces dispositifs de connection extérieure doivent être effectués par un opérateur formé ou en utilisant des cordons déjà préparés.

Cordon d'Alimentation

Évitez d'endommager le cordon d'alimentation. N'UTILISEZ PAS L'APPAREIL si le cordon d'alimentation est endommagé.

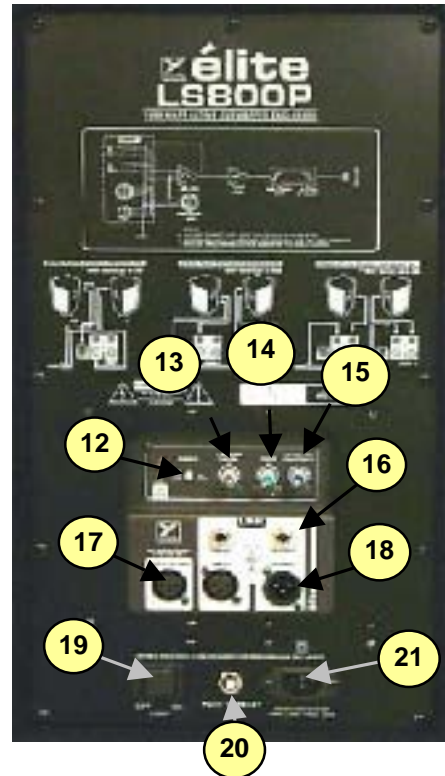
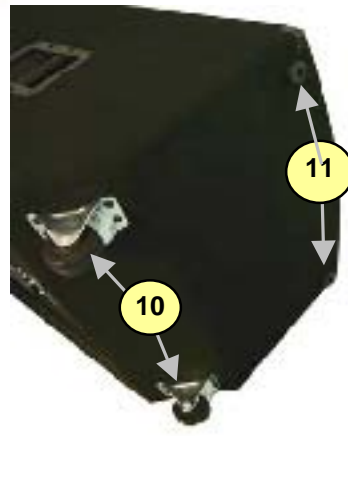
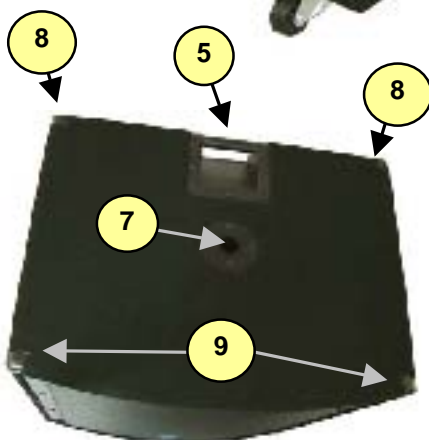
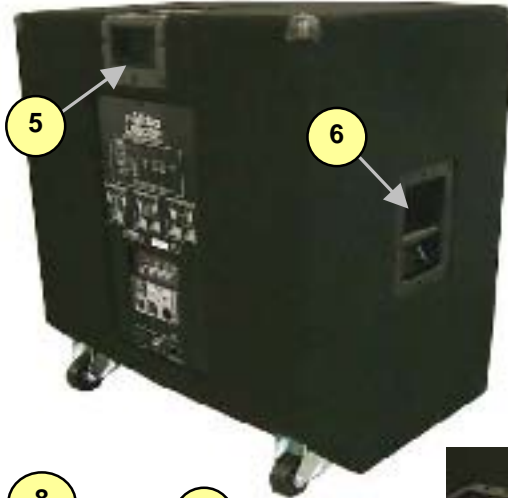
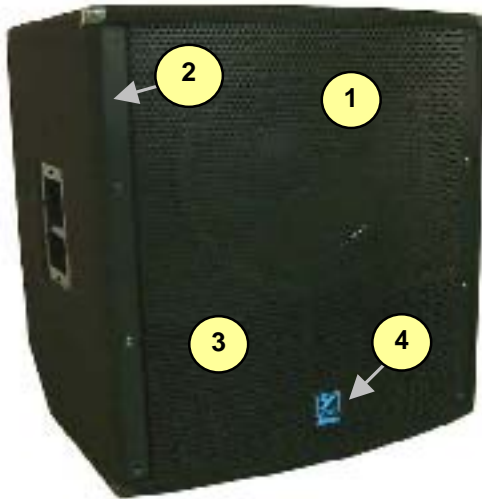
Service

Consultez un technicien qualifié pour l'entretien de votre appareil.



LS800P

élite Series

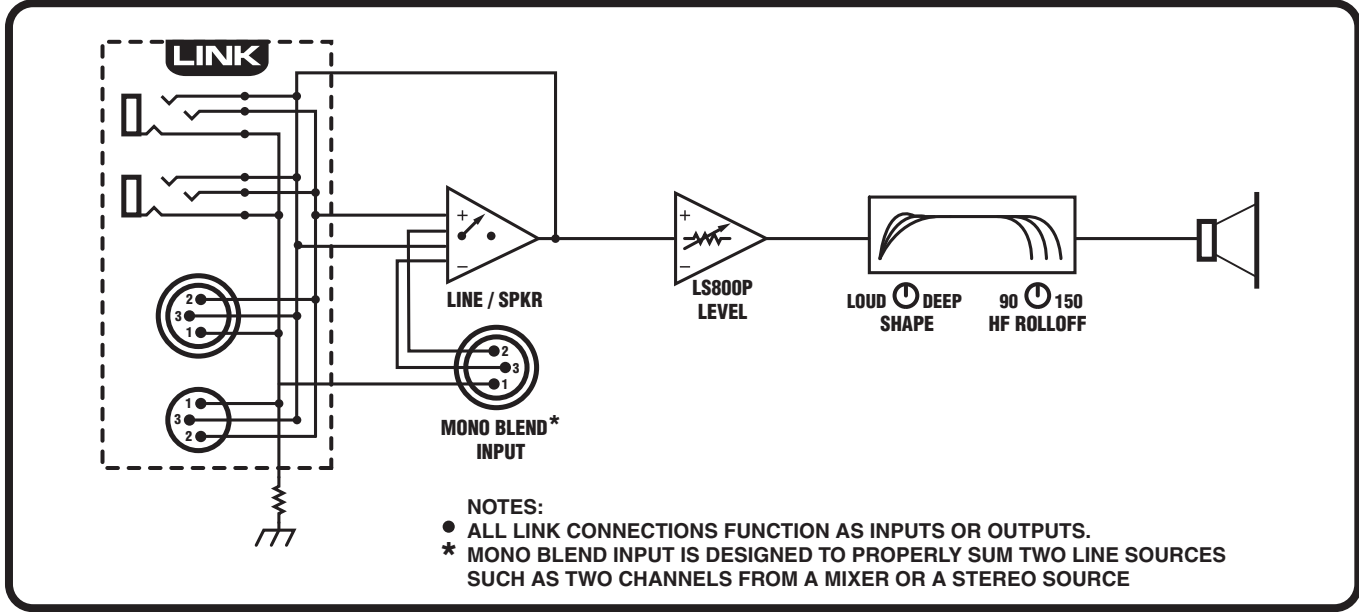


#	Part#	Description
Labeled Components		
1	18/063Y8M	18" 8R1200WPGM SPEAKER DCR6.1R
2	Z605	LS800P/LS808/LS808B GRILL ‡
3	Z606	LS800P/LS808/LS808B GRILL BAR ‡
4	8259D	"Y" LOGO ELITE SERIES LARFED DOMED
5	8551	BAR HANDLE RIGHT ANGLE TOP LOAD
6	8565	BAR HANDLE ALL METAL
7	8483	ADAPTER, SPEAKER STAND, METAL, BLACK
8	8569	CORNER, 2 LEGS NO LIP BLACK OXIDE
9	8562	CORNER, 3 LEGS, BLACK OXIDE
10	8579	4000 SERIES RIGID CASTER
11	8545	RECESSED RUBBER BUMPER WITH WASHER
12	3522/8632	DPDT PUSH SW/ROUND PUSH BUTTON GREY
13	4537/8393	10K LIN 9MM DETENT P25/GREY STYLE 1 KNOB
14	4567/8394	20K 5C R/A 9MM P25/GREEN STYLE 1 KNOB
15	4569/8395	10K LIN 12MM STEREO P21/BLUE STYLE 1 KNOB
16	3921	1/4" JCK PCB MT VERT STER RT SWT
17	3925	XLR FEML PCB MT VERT 24MM U-CONT
18	3453	XLR MALE PCB MT VERT
19	3585	DPDT ROKR SW QUIK 250" AC/PWR IEC
20	2408	8.0 AMP CIRCUIT BREAKER
21	3645	AC SOCKET RECEPTACLE WITH 0.250
22	3426 (120V)	8' 3/16 SJT AC LINE CORD REMOVABLE
22	3474 (230V)	6' 3X.075MM AC LINE CORD EURO-R

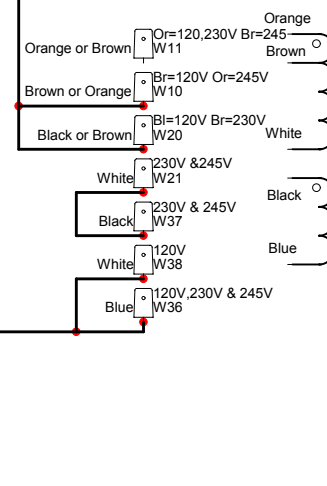
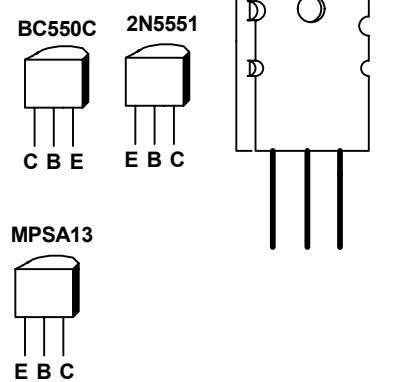
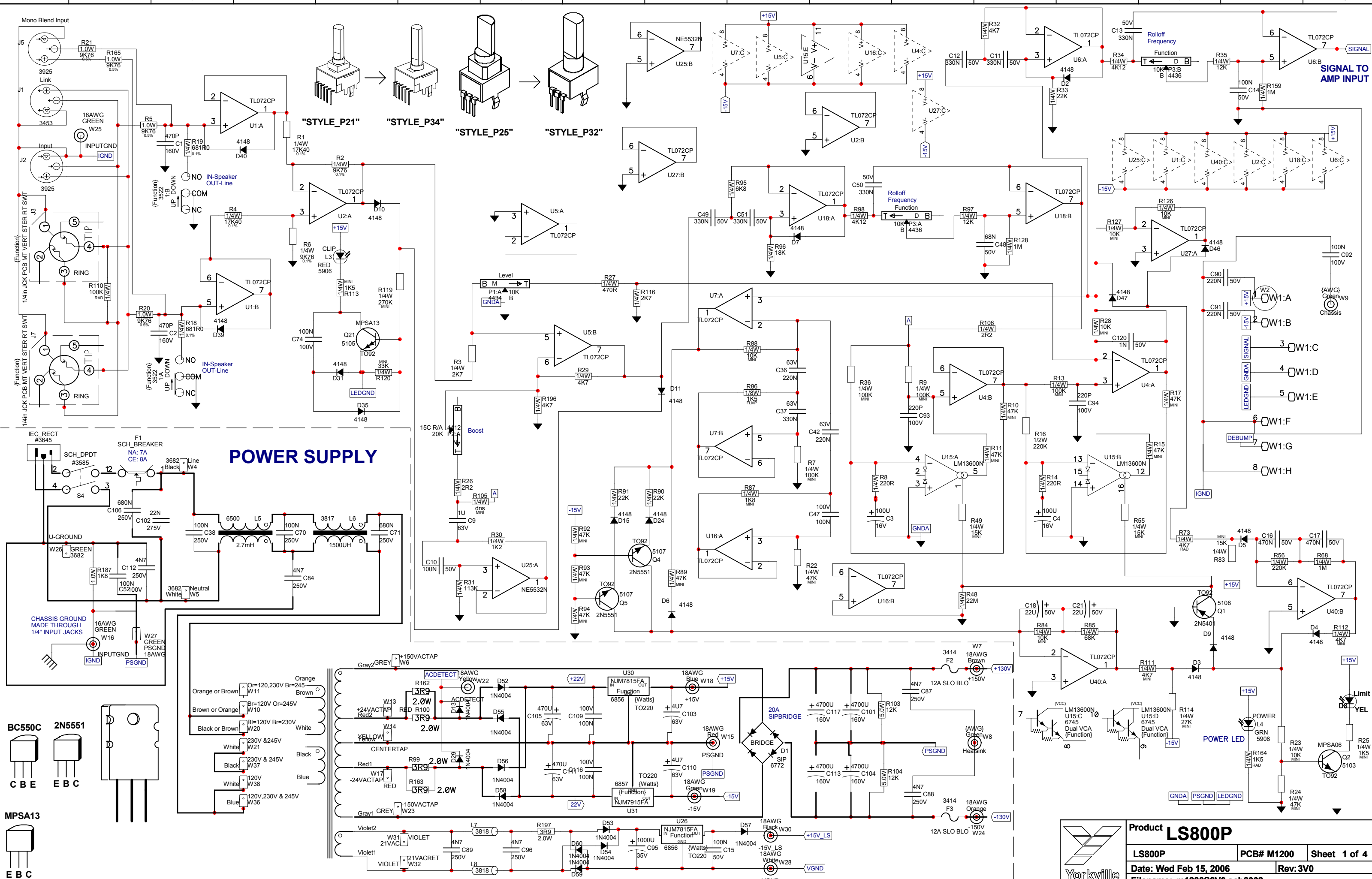
*NOTE: Replacement grills & HF Driver supports are 'Special-Order' and are only available while the model is in production.

‡ Grilles & Support replacements are for CURRENT models only.

**Real Gear.
Real People.**



- NOTES:
- ALL LINK CONNECTIONS FUNCTION AS INPUTS OR OUTPUTS.
 - * MONO BLEND* INPUT IS DESIGNED TO PROPERLY SUM TWO LINE SOURCES SUCH AS TWO CHANNELS FROM A MIXER OR A STEREO SOURCE



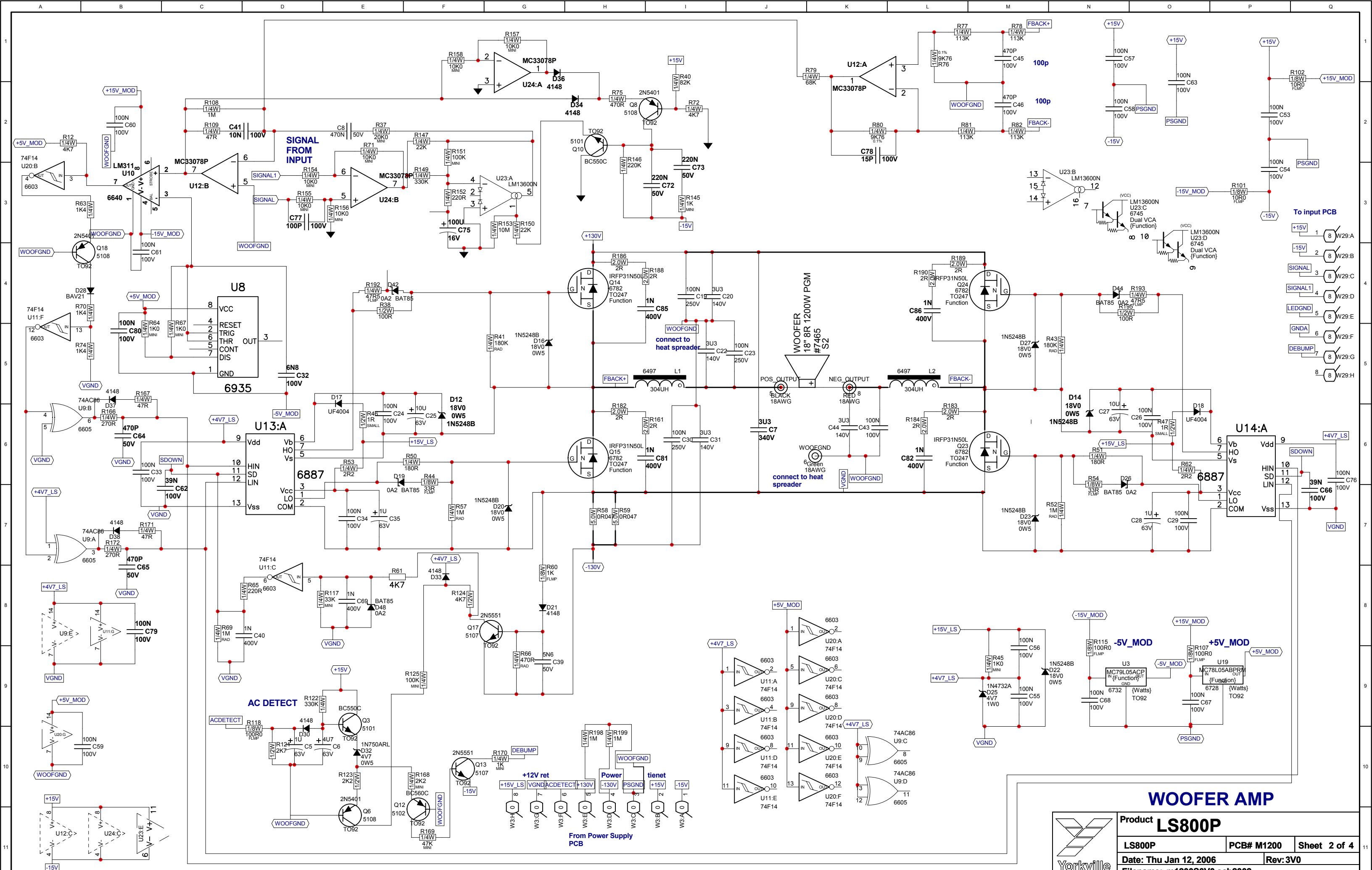
	Product LS800P	
	LS800P	PCB# M1200
	Date: Wed Feb 15, 2006	Rev: 3V0
	Filename: m1200S3V0.sch2002	

SIGNAL TO AMP INPUT

POWER SUPPLY

POWER LED

Limit



WOOFER AMP



Product LS800P		
LS800P	PCB# M1200	Sheet 2 of 4
Date: Thu Jan 12, 2006		Rev: 3V0
Filename: m1200S3V0.sch2002		

M1200.PCB_DATABASE_HISTORY			
MODEL(S):- LS800P			
#	DATE	VER#	DESCRIPTION OF CHANGE
1	9-OCT-2003	2V1	PC#6344 - Added C120 to stop osc. at mom. turn-off C120 gets manually soldered across U4 for now.
2	23-OCT-2003	2V1	PC#6637 CHANGE C81,C82,C85,C86 FROM 5206 TO 5213
4	27-JAN-2004	2V2	PC#6669 Change C19,C23,C30 from 5212(100V) to 5865(250V)
5	16-MAR-2004	2V2	Removed W12, W33, W34 & W35
6	D	V	N
7	D	V	Update tabs for DS pcb. Add pads for subst 5242 cap.PC#6730
8	D	V	N
9	FEB-03-2005	.	GT:PC#6694:POTS CHANGED TO SAME VALUE, SHORTER SHAFT STYLE: 4567 -> 4412, 4537 -> 4434, 4569 -> 4436
10	.	V	N
11	D	V	N
12	.	V	GT:PC#6931:SPKR 18/063Y8M -> #7459
13	D	V	N

M1200 PENDING CHANGES		
MODEL(S):- LS800P		
#	PC#	PENDING CHANGE
1	6634	Place C120 across pins 1 & 2 of U4
2	6631	Force update C1, C2 to get new pattern
3	6632	Force update R5, R20, R21, R165 to get new pattern
4	6639	Move RTV holes under C104,C113,C117,C101 to bad inserts
5	6639	Add extra vias on eyelet parts-solder conn. not 100% on eyelets
6	6639	Remove copper around heatspread holes(get covered @solder)
7	PC	X
8	6669	Change C19,C23,C30 from 5212(100V) to 5865(250V)
9	PC	move via from under R90, R97, R11, R49, R91, R9, D4
10	PC	X
11	PC	X
12	PC	X
13	PC	X

*PLACE IMPLEMENTED CHANGES INTO BOARD HISTORY

M1200 POT LIST					
MODEL(S):- LS800P					
REF	FUNCTION	OLD PART KNOB	NEW PART KNOB		
P1	LEVEL	4537 8393	4434 9916		
P2	SHAPE	4567 8394	4412 9917		
P3	HF ROLLOFF	4569 8395	4436 9918		
.	FREQUENCY	O K	N K		
R	F	O K	N K		
R	F	O K	N K		
R	F	O K	N K		
R	F	O K	N K		
R	F	O K	N K		
R	F	O K	N K		
R	F	O K	N K		
R	F	O K	N K		

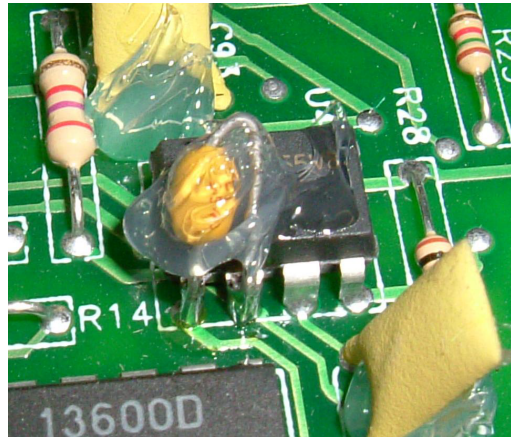


Product LS800P		
LS800P	PCB# M1200	Sheet 3 of 4
Date: Thu Jun 23, 2005		Rev: 3V0
Filename: m1200S3V0.sch2002		

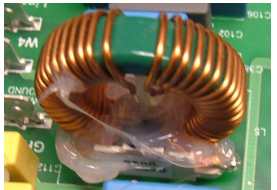
M1200_DATABASE_HISTORY			
MODEL(S):-	LS800P		
#	DATE	VER#	DESCRIPTION OF CHANGE
1	9-OCT-2003	2V1	PC#6344 - Added C120 to stop osc. at mom. turn-off
2			C120 gets manually soldered across U4 for now.
3	23-OCT-2003	2V1	PC#6337 CHANGE C81,C82,C85,C86 FROM 5206 TO 5213
4	27-JAN-2004	2V2	PC#6669 Change C19,C23,C30 from 5212(100V) to 5865(250V)
5			Changes to PCB traces pending
6	16-MAR-2004	2V2	Removed W12, W33, W34 & W35
7	22-OCT-2004	3V00	Update tabs for DS pcb. Add pads for subst 5242 cap.pc#6750
8	13-DEC-2004	3V00	PC#6632 R5,R20,R21,R165 HOLES .042" TO .052"
9	3-FEB-2005	3V00	GT-PC#6934:POTS CHANGED TO SAME VALUE, SHORTER
10			SHAFT STYLE: 4567 -> 4412, 4537 -> 4434, 4569 -> 4436
11	D	v	N
12	D	v	N
13	D	v	N

PRODUCTION NOTES

- Manually solder C120 (5422 - 1N0 50V) across pin 1 and pin 2 of U4 and apply RTV



- Fill L5's coil tray fully with RTV.

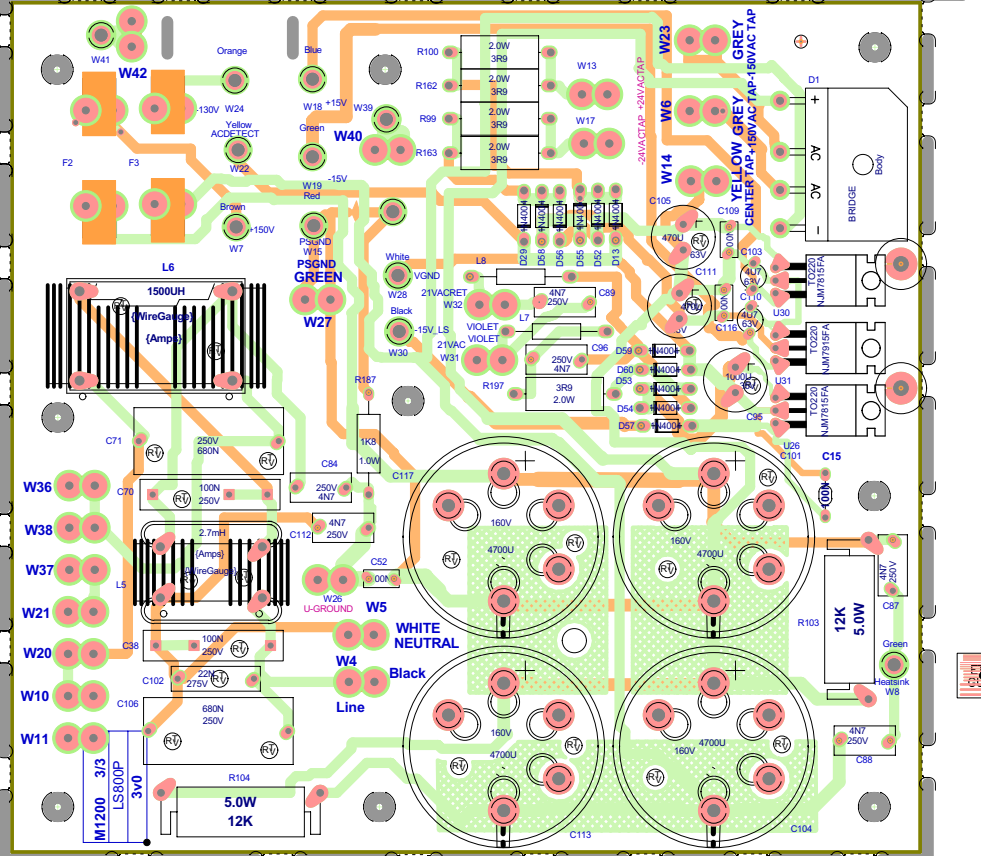
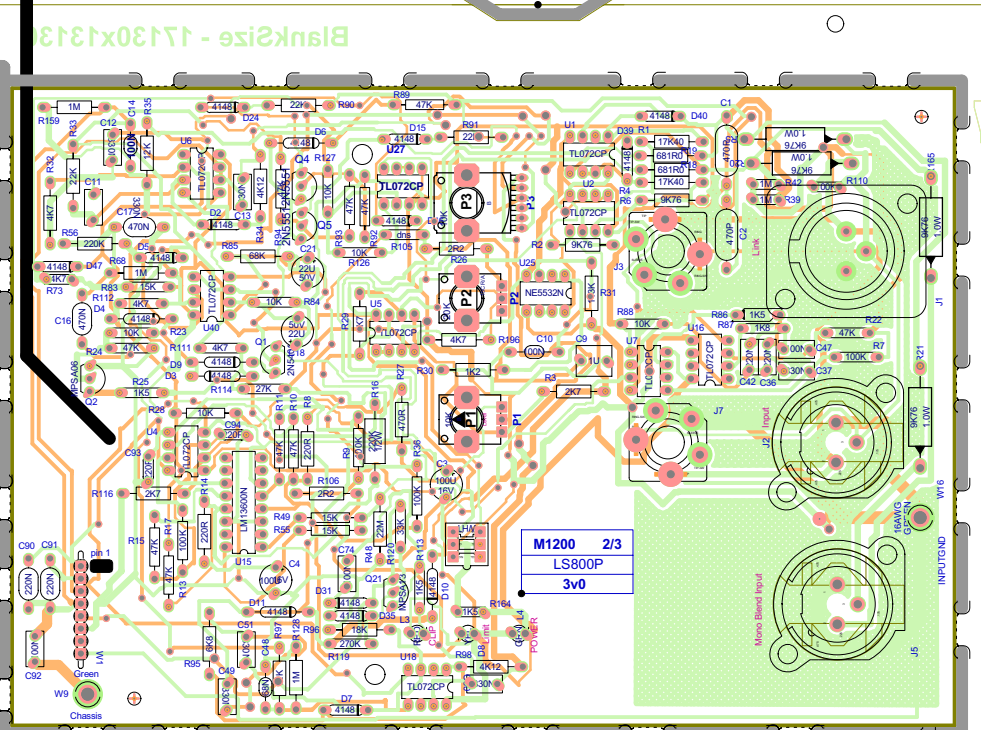
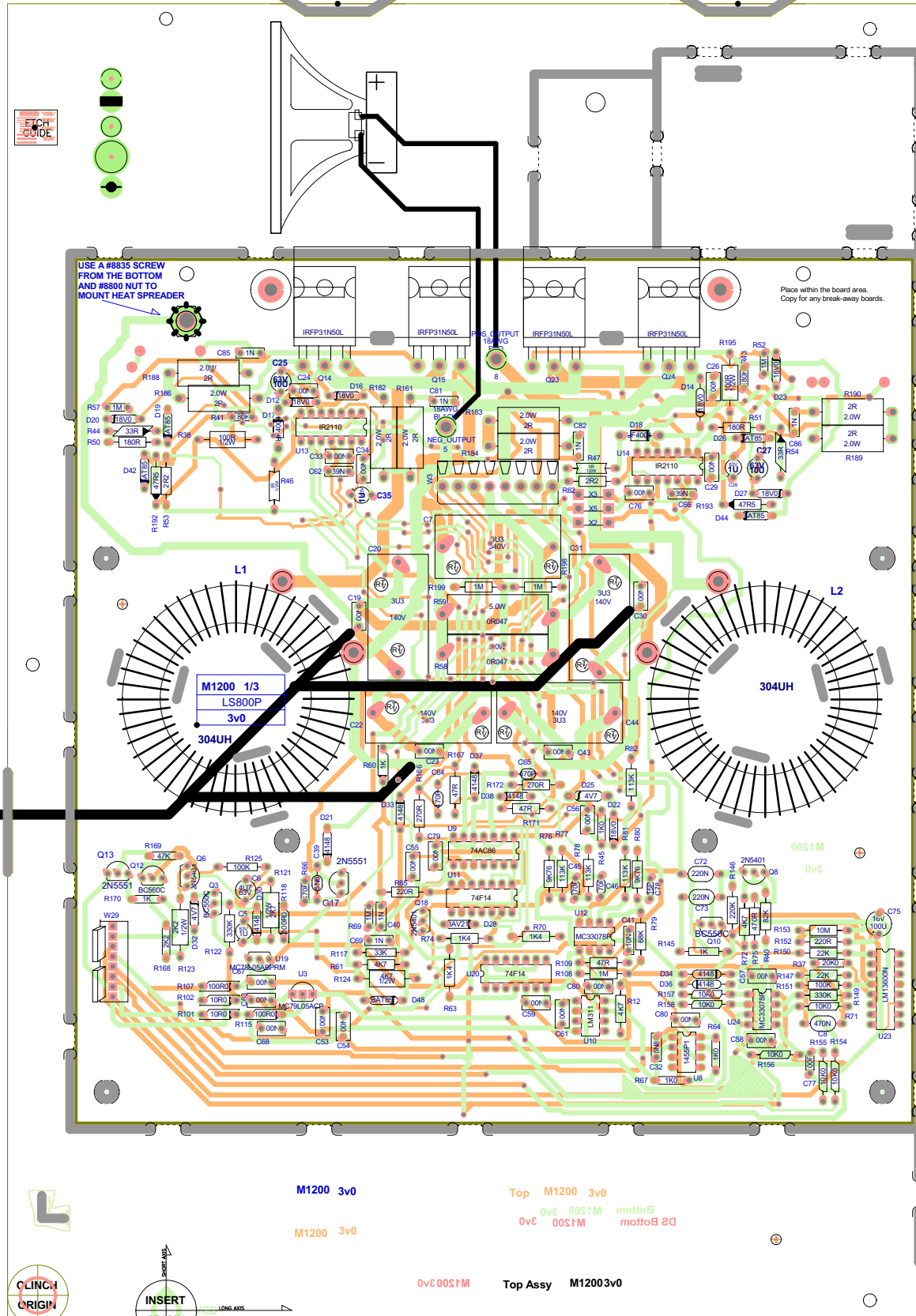
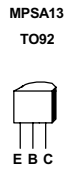
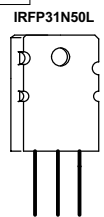
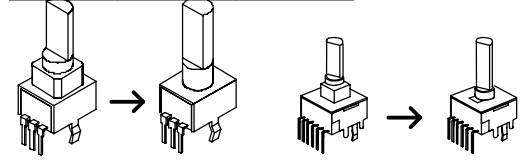


- Bend leads on C19,C23 and C30 (#5865) and manually insert.

M1200 PENDING CHANGES			
MODEL(S):-	LS800P		
#	PC#		PENDING CHANGE
1	6634		Place C120 across pins 1 & 2 of U4
2	6634		Force update C1, C2 to get new pattern
3	6632		Force update R5, R20, R21, R165 to get new pattern
4	6639		Move RTV holes under C104,C113,C117,C101 to bad inserts
5	6639		Add extra vias on eyelet parts-solder conn. not 100% on eyelets
6	6639		Remove copper around heatspreader holes(get covered @solder)
7		X	
8	6669		X Change C19,C23,C30 from 5212(100V) to 5865(250V)
9	PC		move via from under R90, R97, R11, R49, R91, R9, D4
10	PC		X
11	PC		X
12	PC		X
13	PC		X

*PLACE IMPLEMENTED CHANGES INTO BOARD HISTORY

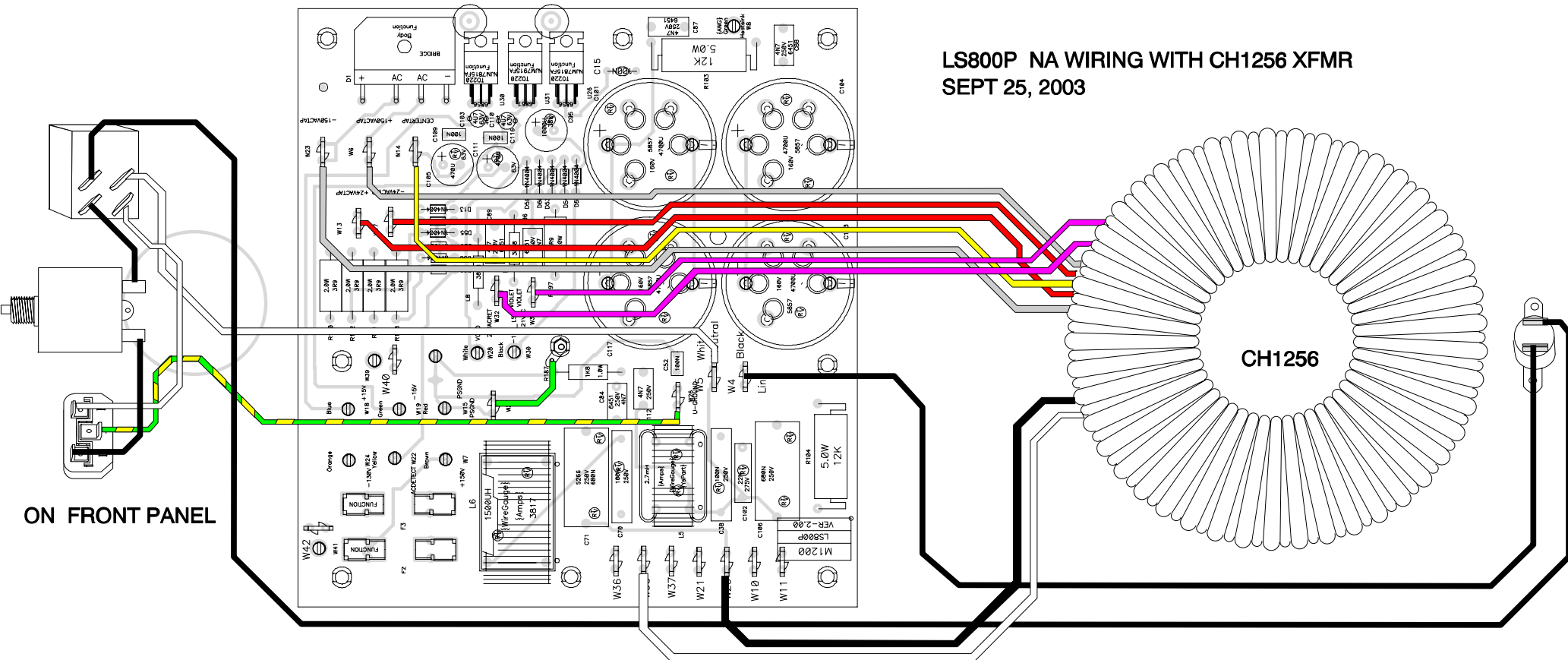
M1200				
MODEL(S):-	LS800P			
REF	FUNCTION	OLD PART	NOB	NEW PART - NOB
P1	LEVEL	4537	8393	4434 9916
P2	SHAPE	4567	8394	4412 9917
P3	HF ROLLOFF	4569	8395	4436 9918
K	FREQUENCY	O	N	K
R	F	O	K	N
R	F	O	K	N



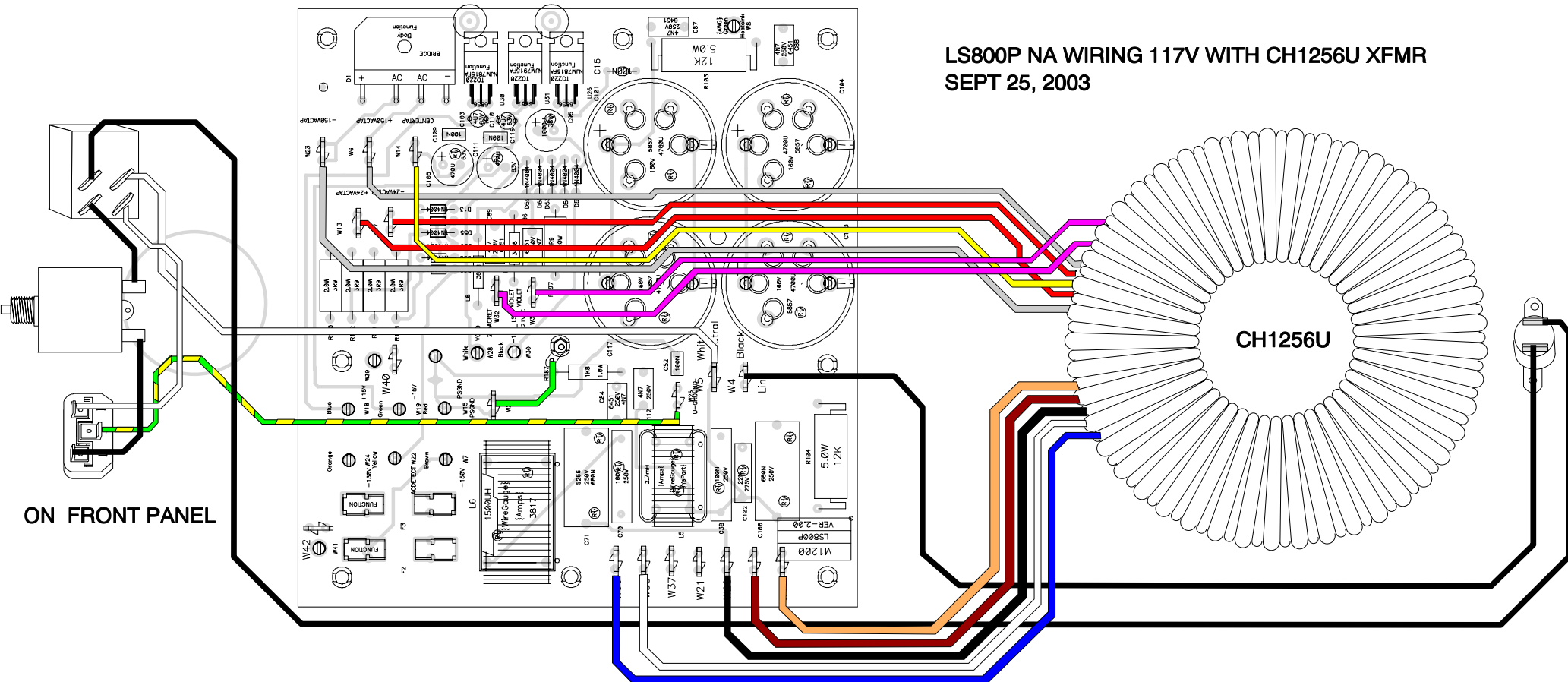
M1200 3v0
 Top M1200 3v0
 Bottom M1200 3v0
 M1200 3v0
 0v±0.05%M Top Assy M12003v0



LS800P NA WIRING WITH CH1256 XFMR
SEPT 25, 2003



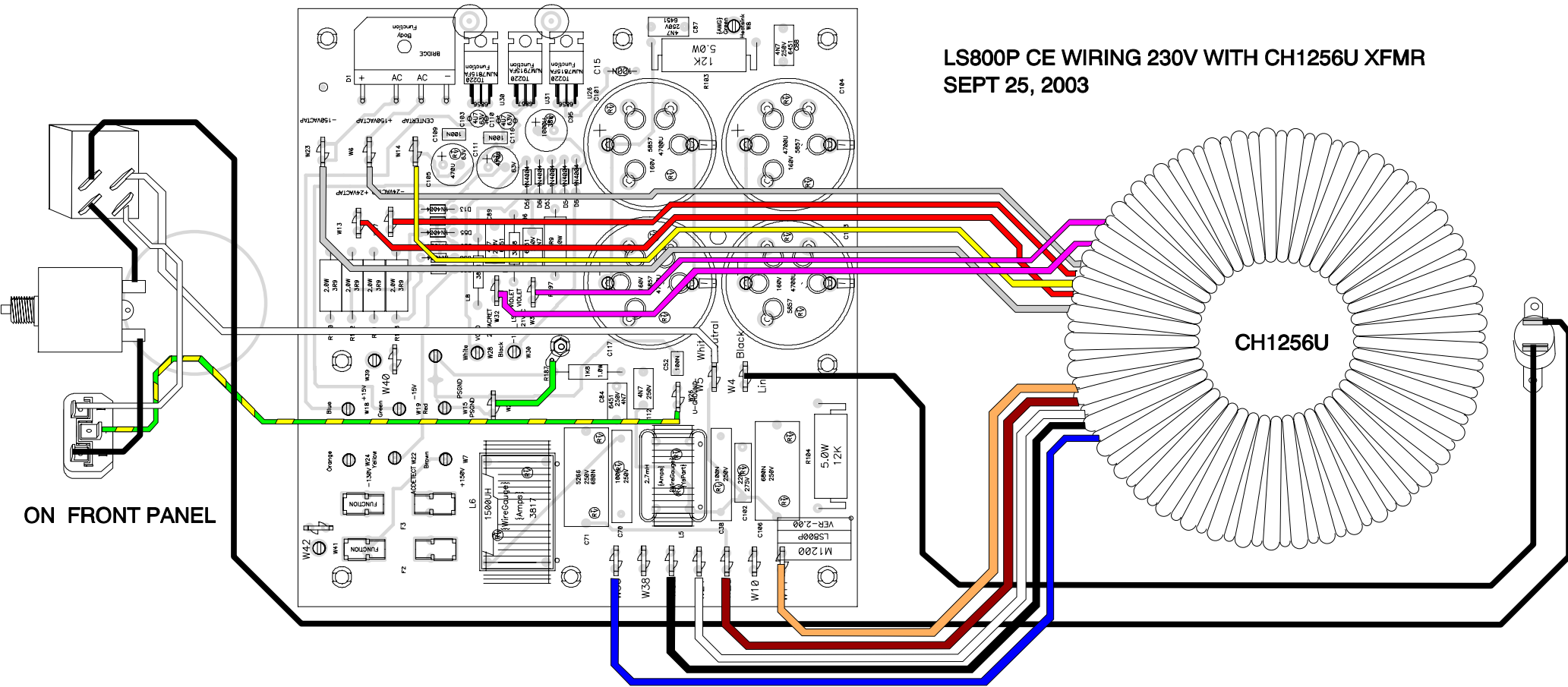
LS800P NA WIRING 117V WITH CH1256U XFMR
SEPT 25, 2003



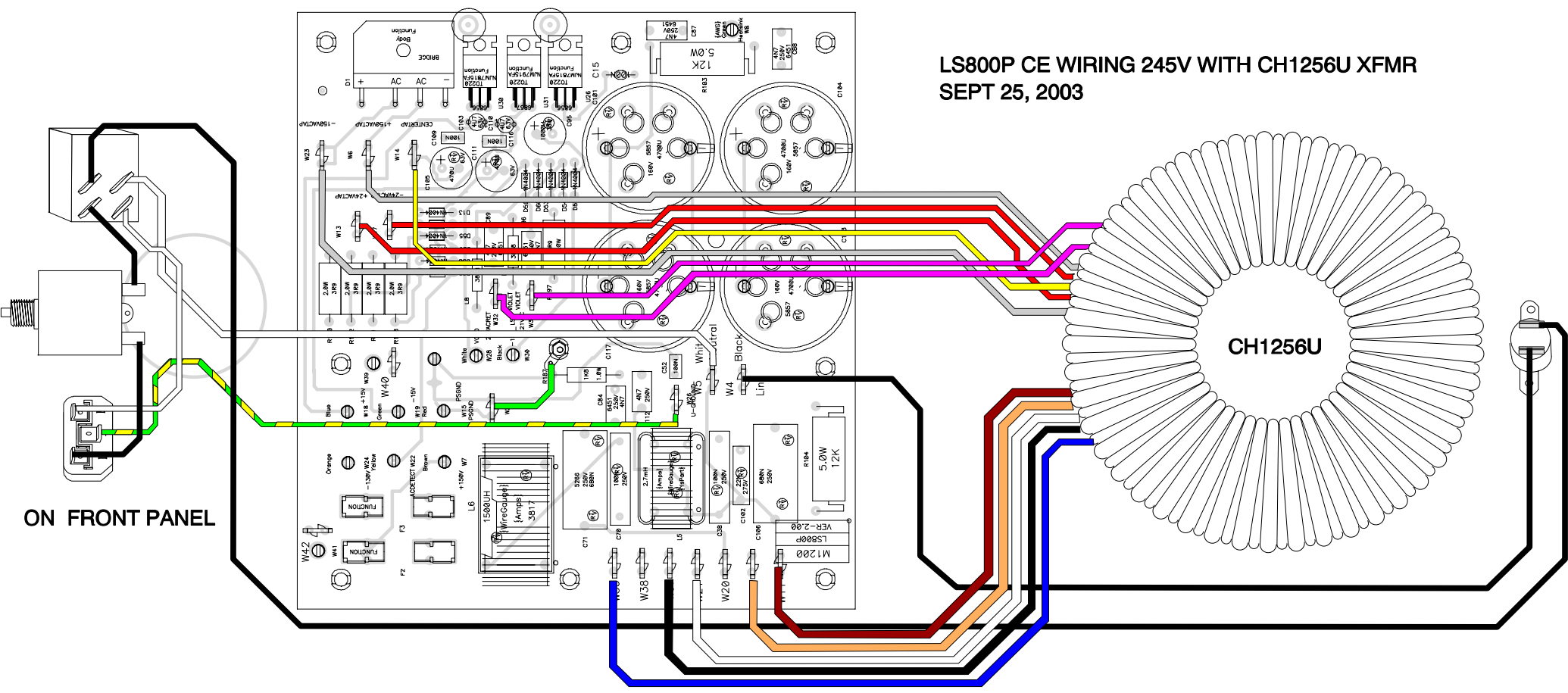
ON FRONT PANEL

CH1256U

LS800P CE WIRING 230V WITH CH1256U XFMR
SEPT 25, 2003



LS800P CE WIRING 245V WITH CH1256U XFMR
SEPT 25, 2003



ON FRONT PANEL

CH1256U