



SERVICE MANUAL



MP10^{DS} 2 x 160 Watt Stereo 10 Channel Powered Mixer

TYPE: YS1028

WEB ACCESS: <http://www.yorkville.com>

WORLD HEADQUARTERS CANADA

Yorkville Sound
550 Granite Court
Pickering, Ontario
L1W-3Y8 CANADA

Voice: (905) 837-8481
Fax: (905) 837-8746

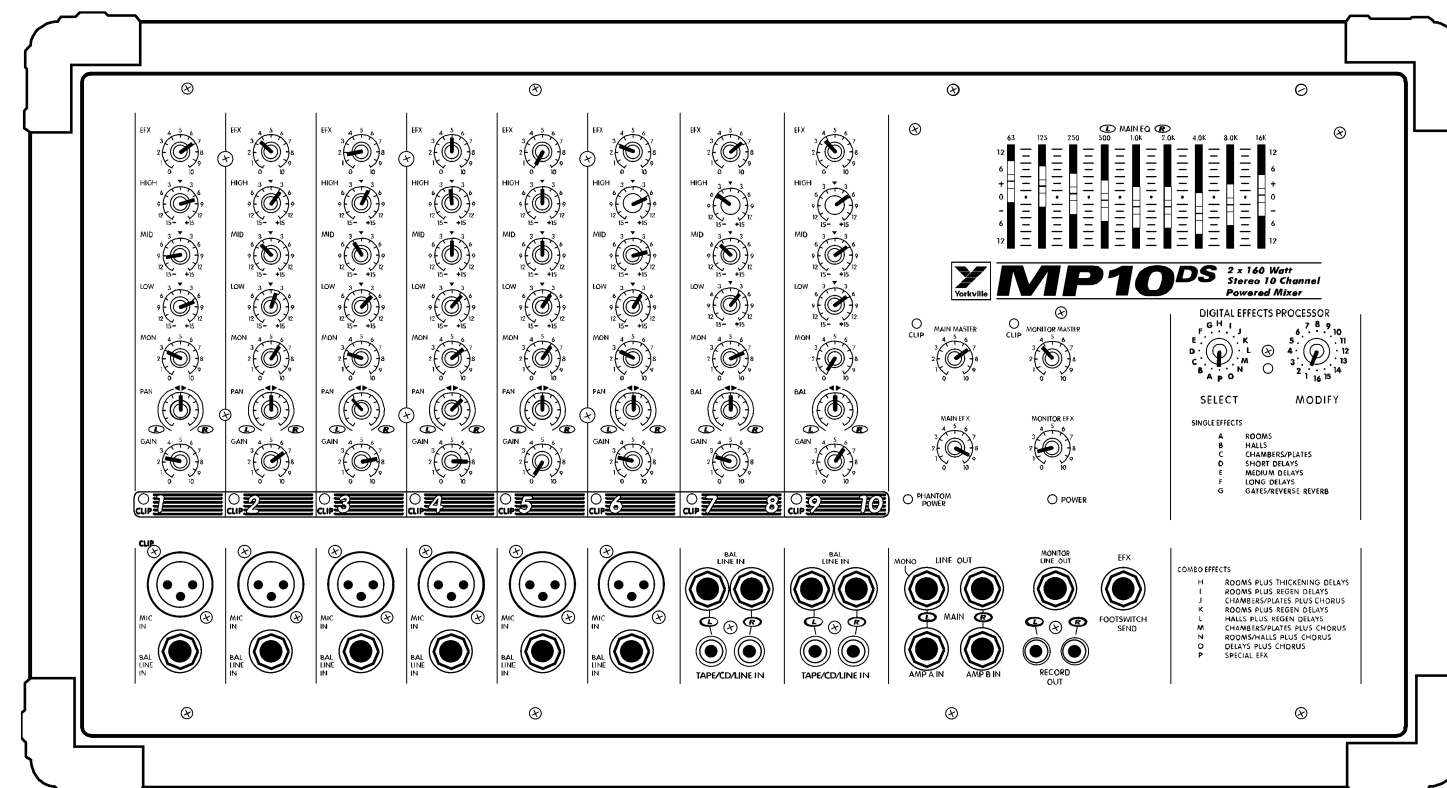
U.S.A.

Yorkville Sound Inc.
4625 Witmer Industrial Estate
Niagara Falls, New York
14305 USA

Voice: (716) 297-2920
Fax: (716) 297-3689



Quality and Innovation Since 1963
Printed in Canada



IMPORTANT SAFETY INSTRUCTIONS



INSTRUCTIONS PERTAINING TO A RISK OF FIRE, ELECTRIC SHOCK, OR INJURY TO PERSONS.

INSTRUCTIONS RELATIVES AU RISQUE DE FEU, CHOC ÉLECTRIQUE, OU BLESSURES AUX PERSONNES.

CAUTION:

TO REDUCE THE RISK OF ELECTRIC SHOCK, DO NOT REMOVE COVER (OR BACK). NO USER SERVICEABLE PARTS INSIDE.

REFER SERVICING TO QUALIFIED SERVICE PERSONNEL.

AVIS:

AFIN DE REDUIRE LES RISQUE DE CHOC ELECTRIQUE, N'ENLEVEZ PAS LE COUVERT (OU LE PANNEAU ARRIERE). NE CONTIENT AUCUNE PIECE REPARABLE PAR L'UTILISATEUR.

CONSULTEZ UN TECHNICIEN QUALIFIE POUR L'ENTRETIEN.

Read Instructions:

The *Owner's Manual* should be read and understood before operation of your unit. Please, save these instructions for future reference.

Packaging:

Keep the box and packaging materials, in case the unit needs to be returned for service.

Warning:

When using electric products, basic precautions should always be followed, including the following:

Power Sources:

Your unit should be connected to a power source only of the voltage specified in the owners manual or as marked on the unit. This unit has a polarized plug. Do not use with an extension cord or receptacle unless the plug can be fully inserted. Precautions should be taken so that the grounding scheme on the unit is not defeated.

Hazards:

Do not place this product on an unstable cart, stand, tripod, bracket or table. The product may fall, causing serious personal injury and serious damage to the product. Use only with cart, stand, tripod, bracket, or table recommended by the manufacturer or sold with the product. Follow the manufacturer's instructions when installing the product and use mounting accessories recommended by the manufacturer.

The apparatus should not be exposed to dripping or splashing water; no objects filled with liquids should be placed on the apparatus.

Terminals marked with the "lightning bolt" are hazardous live; the external wiring connected to these terminals require installation by an instructed person or the use of ready made leads or cords.

No naked flame sources, such as lighted candles, should be placed on the apparatus.

Power Cord:

The AC supply cord should be routed so that it is unlikely that it will be damaged. If the AC supply cord is damaged **DO NOT OPERATE THE UNIT.**

Service:

The unit should be serviced only by qualified service personnel.

Veillez lire le manuel:

Il contient des informations qui devraient étre comprises avant l'opération de votre appareil. Conservez S.V.P. ces instructions pour consultations ultérieures

Emballage:

Conservez la boîte au cas où l'appareil devait étre retourner pour réparation.

Attention:

Lors de l'utilisation de produits électrique, assurez-vous d'adhérer à des précautions de bases incluant celle qui suivent:

Alimentation:

L'appareil ne doit étre branché qu'à une source d'alimentation correspondant au voltage spécifié dans le manuel ou tel qu'indiqué sur l'appareil. Cet appareil est équipé d'une prise d'alimentation polarisée. Ne pas utiliser cet appareil avec un cordon de raccordement à moins qu'il soit possible d'insérer complètement les trois lames. Des précautions doivent étre prises afin d'éviter que le système de mise à la terre de l'appareil ne soit désengagé.

Risque:

Ne pas placer cet appareil sur un chariot, un support, un trépied ou une table instables. L'appareil pourrait tomber et blesser quelqu'un ou subir des dommages importants. Utiliser seulement un chariot, un support, un trépied ou une table recommandés par le fabricant ou vendus avec le produit. Suivre les instructions du fabricant pour installer l'appareil et utiliser les accessoires recommandés par le fabricant.

Il convient de ne pas placer sur l'appareil de sources de flammes nues, telles que des bougies allumées.

L'appareil ne doit pas étre exposé à des égouttements d'eau ou des éclaboussures et qu'aucun objet rempli de liquide tel que des vases ne doit étre placé sur l'appareil.

Les dispositifs marqués d'une symbole "d'éclair" sont des parties dangereuses au toucher et que les câblages extérieurs connectés à ces dispositifs de connection extérieure doivent étre effectués par un opérateur formé ou en utilisant des cordons déjà préparés.

Cordon d'alimentation:

Évitez d'endommager le cordon d'alimentation. **N'UTILISEZ PAS L'APPAREIL** si le cordon d'alimentation est endommagé.

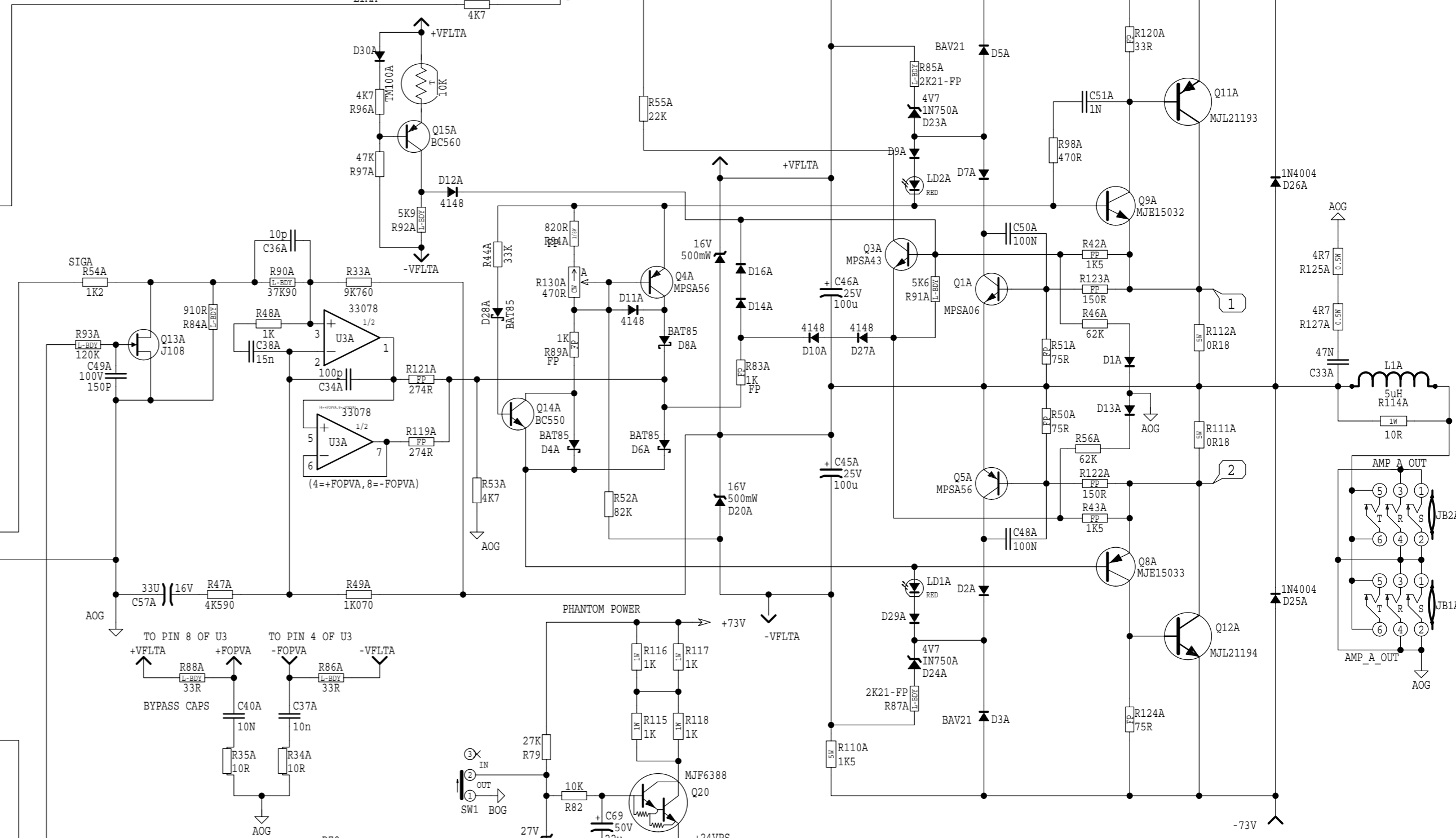
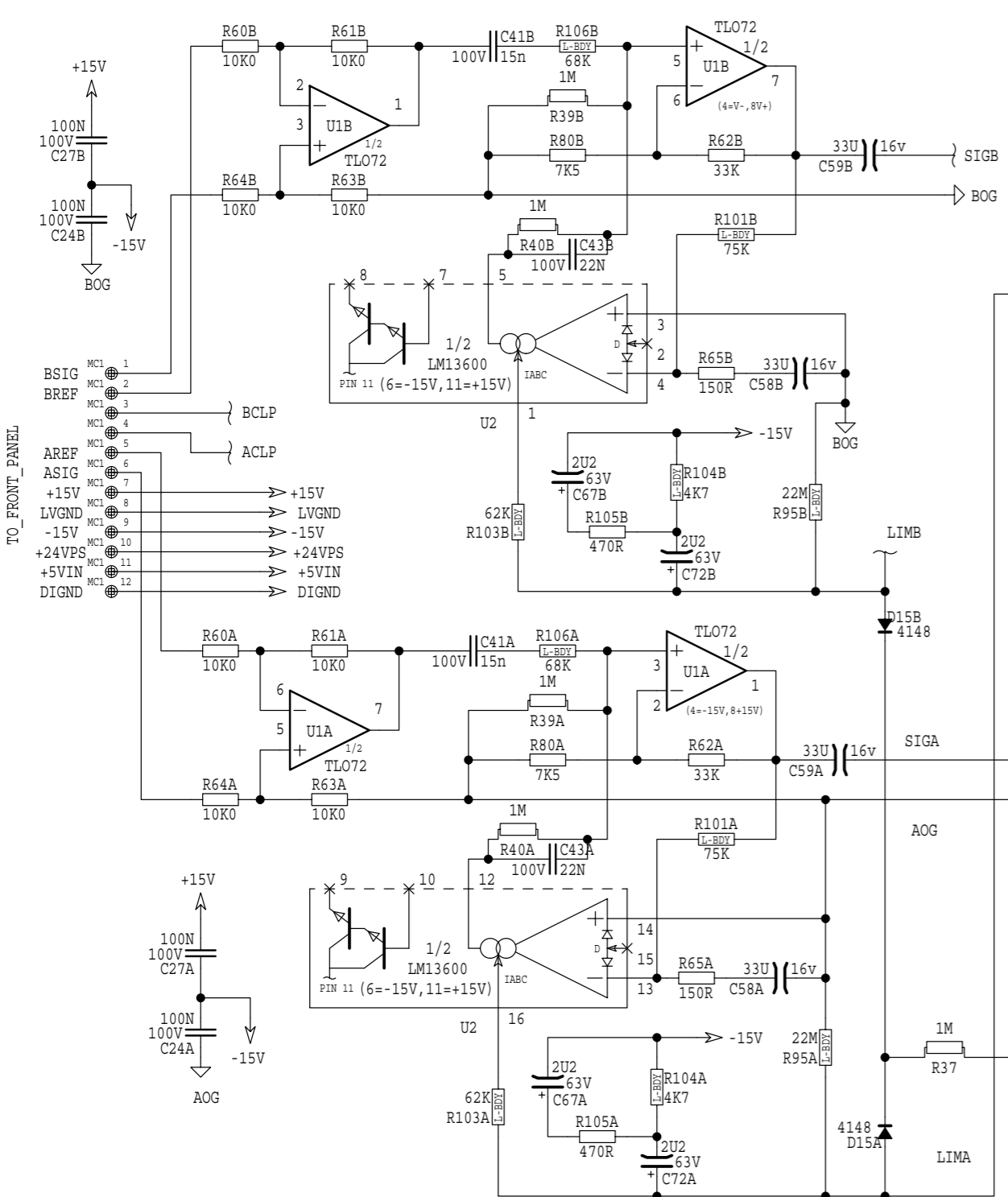
Service:

Consultez un technicien qualifié pour l'entretien de votre appareil.

POWER AMP

POWER SUPPLY AND LIMITERS

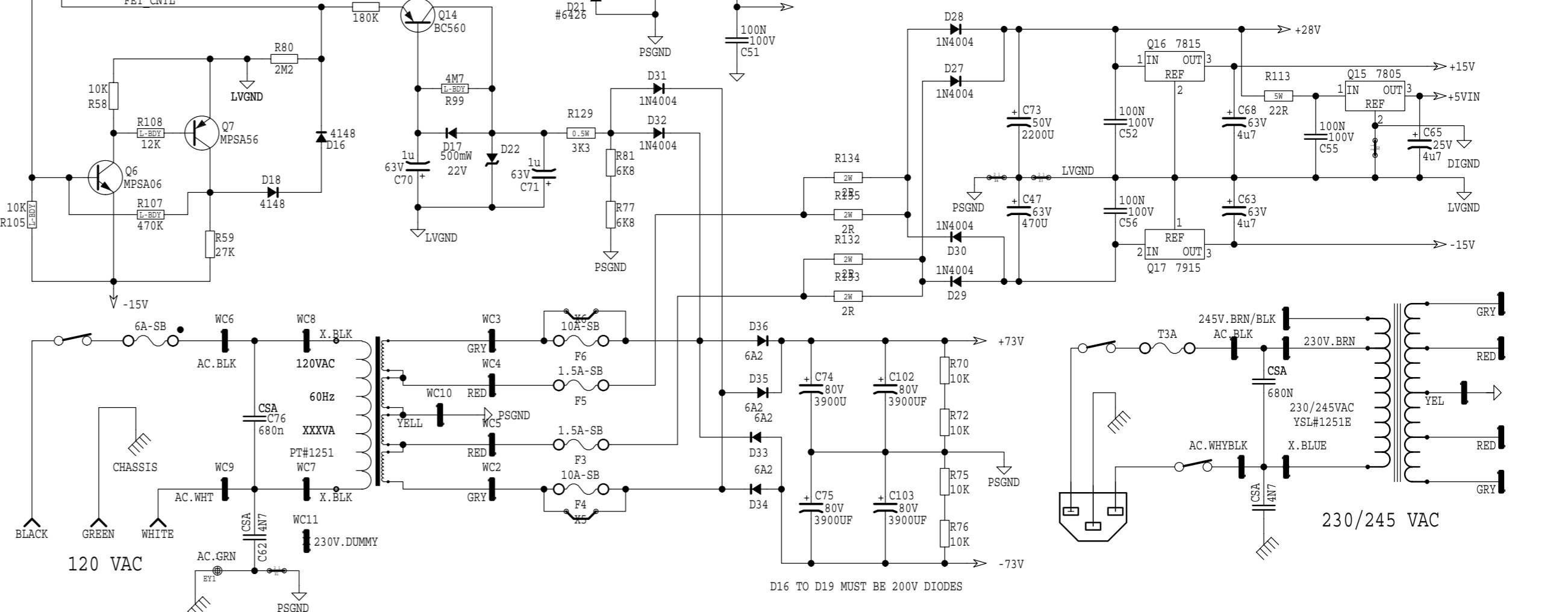
ADJUST FOR 10 TO 12mV BETWEEN TP1 AND TP2 WITH AMP COLD



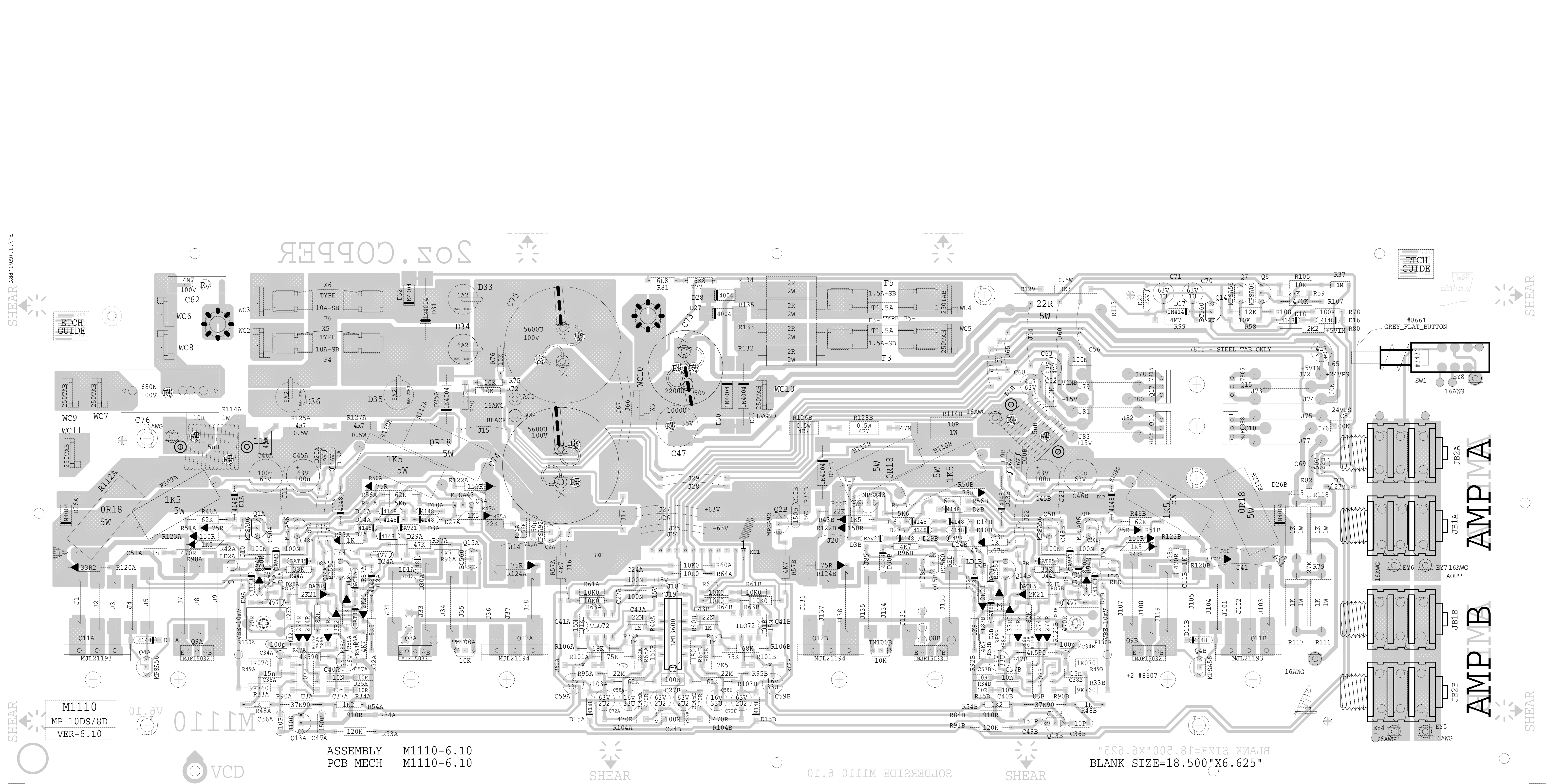
M1110.SCH DATABASE HISTORY			
#	DATE	VER#	DESCRIPTION OF CHANGE
MODEL(S) :- MP-10DS/8D			
1	FEB/24/97	1.10	PC#5317 ADD R80 2M2
2	SEP/10/97	1.20	PC#5228 R105 8K2->10K
3	FEB/02/99	1.30	PC#5456 ADD R105A/B 470R
4	MAR/12/99	1.40	XMR WIRE COLOURS UPDATED
5	JUN/25/02	1.50	PC#5890 TM100 100K->10K_ADD_R96A
6	NOV/19/02	1.80	R97A, D30A, Q15A
7	SEP/05/03	1.90	PC#6540 R92A 12K->5K9_R96A 47K->4K7
8			R97A 470K->47K
9			PC#6581 ADD C51A R98A @ Q9A
10			PC#6621 Q2A MPSA93->MPSA92

M1110.SCH DATABASE HISTORY			
#	DATE	VER#	DESCRIPTION OF CHANGE
MODEL(S) :- MP-8D/MP-10DS			
1	AUG/25/97	1.10	PC#5454 U3A TLO72->MC33078
2	SEP/10/97	1.20	PC#5456 ADD D29A AT LD1A
3	SEP/29/97	1.30	PC# U3A MC33078->TLO72 D27A 3V0
4	APR/09/98	1.40	ZENER->4148 ADD 4148X2 D14A/D16A
5	DEC/20/00	1.50	PC#5682 U3A TL072->33078
6	MAR/26/01	1.60	CORRECTION C76 22N->680N
7			PC#6364 R97A, R83A, R89A, R42A, R43A
8			->FLAMEPROOF
9	DEC/06/01	1.70	PC#6474 C41A/B 22N->15N
10			R85A/R87A TO FLAMEPROOF

YORKVILLE	DATE: SEP/05/2003	MODELS: MP-10DS, MP-8D	SHEET 70F 7	SCH ISSUE: 1.90
	NAME: M1110-PA	PCB#&VER: M1110		TITLE: POWER AMP



D16 TO D19 MUST BE 200V DIODES



M1110
MP-10DS/8D
VER-6.10

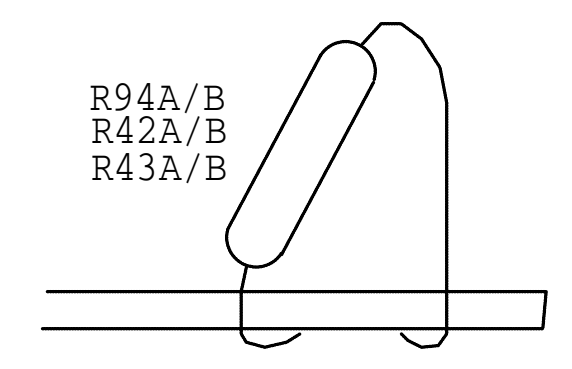
ASSEMBLY M1110-6.10
PCB MECH M1110-6.10

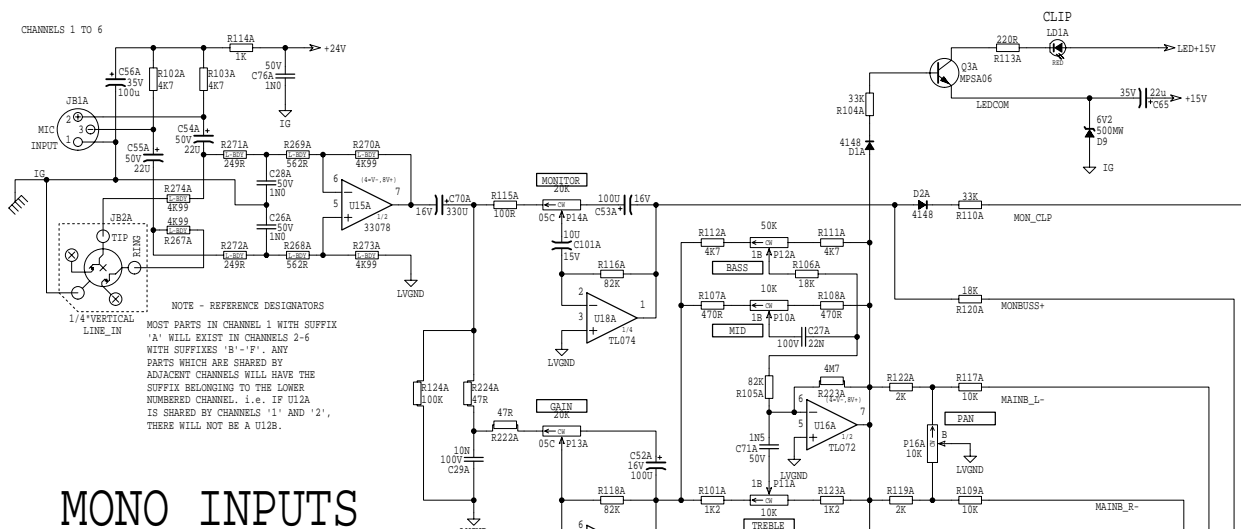
BLANK SIZE=18.500"X6.625"

M1110.PCB_DATABASE_HISTORY			
#	DATE	VER#	DESCRIPTION OF CHANGE
1	96/12/17	1.0P2	FIRST PROTO NEW DESIGN
2	97/01/25	1.0P3	PROTO #2-CHANGES TO VBE AND CURRENT LIMIT. ADD Q14, D27, D28
3	FEB/24/97	2.00	PC#5317 ADDED 2M2 R80 AT D16->LVGND
4	.	.	PC#5325 MOVE C62/REPLACE SPCRSNAP.P
5	.	.	PC#5324 REMOVE WC1
6	.	.	PC#5328 R105 8K2->10K
7	AUG/25/97	2.10	PC#5454 U3A/B TL072->MC33078
8	SEP/09/97	3.00	PC#5456 ADD 470P R105A/D29A/B
9	SEP/29/97	3.00	PC#5478 U3A/B MC33078->TL072 D27A 3V0 ZENER->4148 ADD 2X 4148 D14A/B D16A/B
10	.	.	PC#5682 U3A/U3B TL072->33078
11	APR/09/98	3.01	ROUTING FOR HEATSINKS CHANGED
12	JUN/16/98	3.20	PC#5890 TM100 100K->10K ADD Q15A/B
13	MAR/22/99	4.00	D30A/B R96A/B R97A/B J84, 85, 86
14	.	.	PC#5951 C47 470u->1000u
15	MAR/25/99	.	PC#6364 R94A/B, R83A/B, R89A, B, R42A/B
16	MAR/26/01	4.10	R43A/B->FLAMPPOOF
17	.	.	PC#6474 C41A/B 22N->15N
18	DEC/06/01	4.20	R85A/B, R87A/B TO FLAMEPROOF
19	.	.	PC#6540 R92A/B 12K->5K9 R96A/B 47K->4K7 R97A/B 470K->47K
20	JUN/25/02	4.30	.
21	.	.	.
22	.	.	.
23	.	.	.

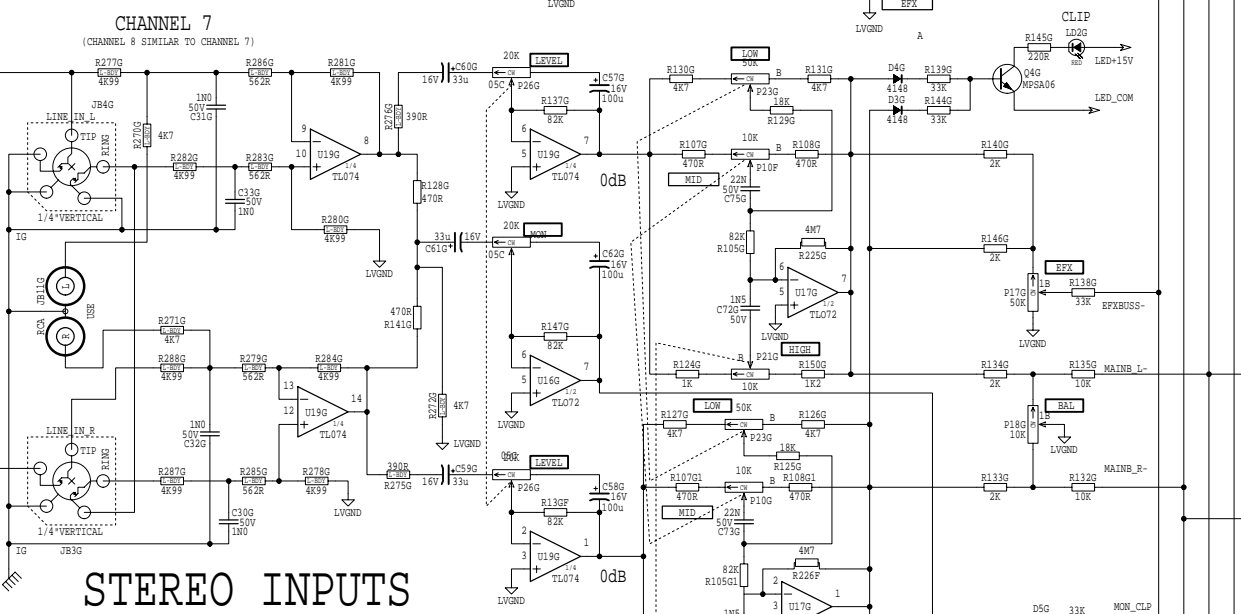
PRODUCTION NOTES

- AUTO-INSERTION
- BOARD-ASSEMBLY
- 1. MOUNT MJE15032 AND '33 TRANSISTORS WITH #8607 SPACERS ON TWO LEADS Q8A, Q8B, Q9A, Q9B
- 2. Q15 7805 REGULATOR MUST BE STEEL TAB VERSION ONLY.
- 3. NO FUSE HOLDERS SHOULD BE STUFFED. F3&5 ARE REPLACED WITH AUTO-INSERT FUSES, F4&6 WITH JUMPERS.
- 4. R94A/B, R42A/B, R43A/B HAND INSERTED AS SHOWN

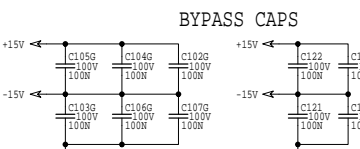




MONO INPUTS



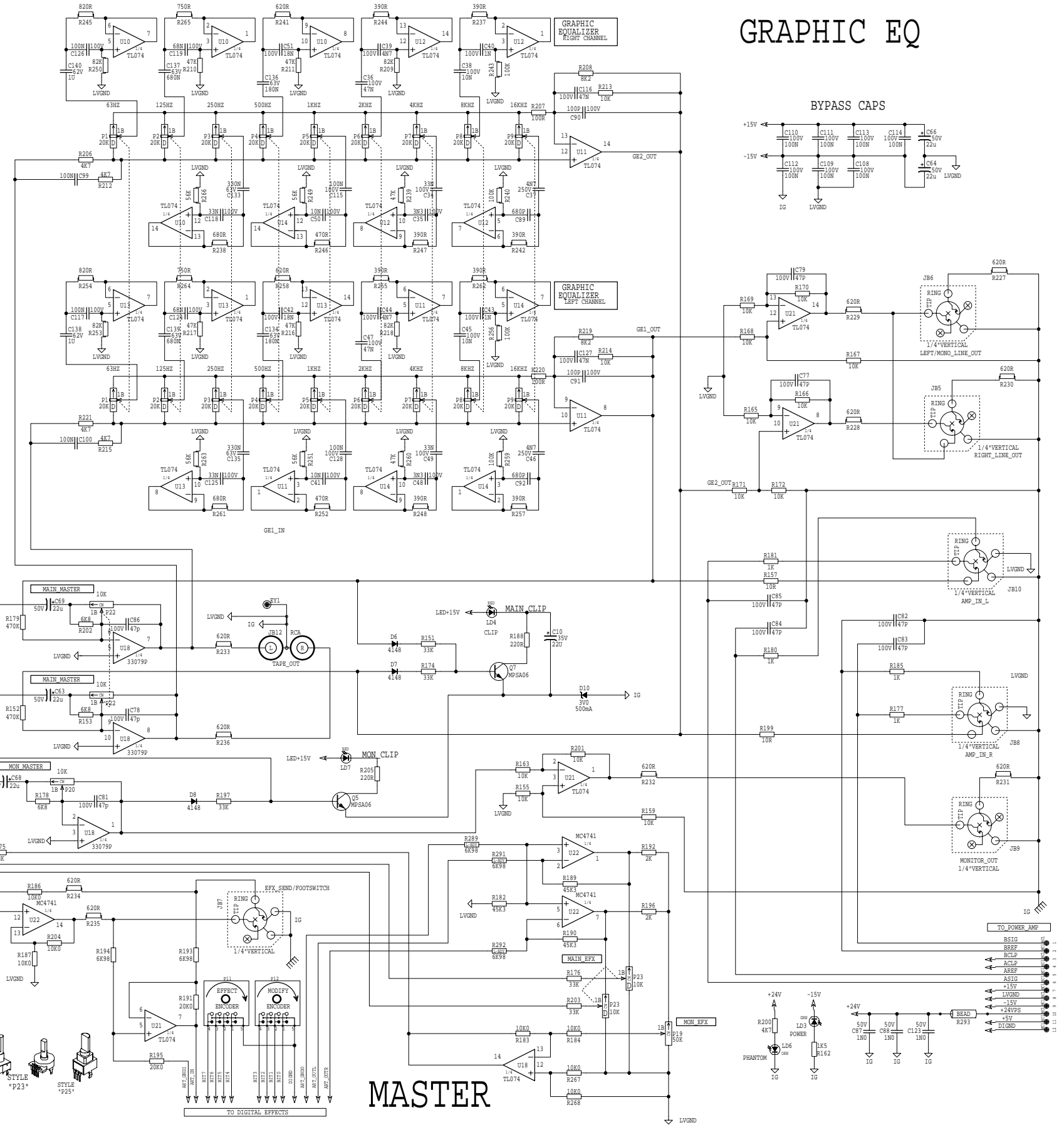
STEREO INPUTS



M1111_SCH_DATABASE_HISTORY		
MODEL(S) :-	MP-10DS	
#	DATE	DESCRIPTION OF CHANGE
1	MAR/06/97	PC#5326 INPUTS_RECONFIGURED_C59G-C60G, C61G 100u-->33u, ADDED_R270G, R271G, R272G
2	APR/10/97	PC#5351_ADD_1K_R124A
3	ADG/21/97	CORRECTIONS
4	SEP/10/97	PC#4547_ADD_C10_D10_FOR_CLIP_LED
7	APR/09/98	PC#5682_U10, U13, U11, U14, U12, U21, U19G, U18A, 4741-TL074, U18, 4741->33079P
10	OCT/24/00	1.60 PC# C70A, 330u->25V->330u-16V

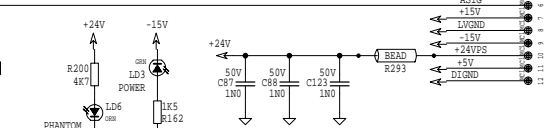
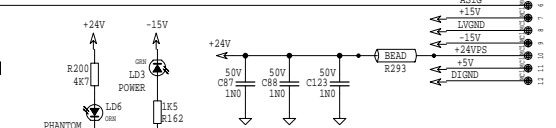
M1111_SCH_DATABASE_HISTORY		
MODEL(S) :-	MP-10DS	
#	DATE	DESCRIPTION OF CHANGE
1	FEB/14/01	PC#6309_C76A, 28A, 26A, 31G, 33G, 32G, C30G, 87, 88, C123 1N5/200V->1N/50V
2	JUN/27/02	PC#6542_R124A-F_1K->100K
4	OCT/27/03	PC#6649_Q3A/A-F, Q4H/I, Q5, Q7_MPSA13->MPSA06
5		N
6		N
7		N
8		N
9		N
10		N

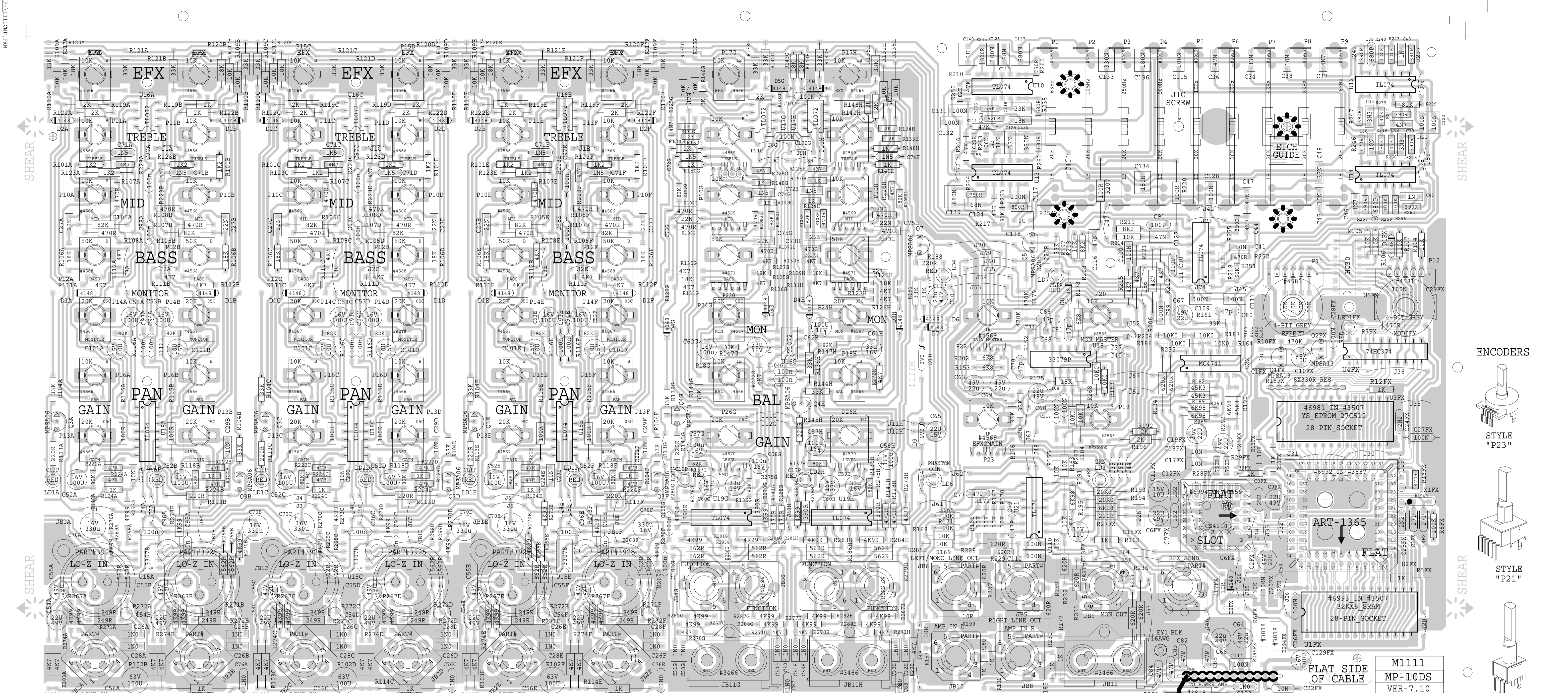
M1111.PCB_POT_LIST				
MODEL(S) :-	MP10DS			
#	REF	FUNCTION	PART#	KNOB AS OF
1	P13A	GAIN	#4567	#8392 JAN/2000
2	P16A	PAN	#4566	#8395
3	P14A	MONITOR	#4567	#8394
4	P12A	BASS	#4568	#8393
5	P10A	MID	#4566	#8393
6	P11A	TREBLE	#4566	#8393
7	P15A	EFFECTS	#4566	#8395
8	P19	LEVEL	#4570	#8392
9	P18G	BALANCE	#4566	#8395
10	P24G	MONITOR	#4567	#8394
11	P23G	BASS	#4571	#8393
12	P10G	MID	#4569	#8393
13	P21G	TREBLE	#4569	#8395
14	P17G	EFFECTS	#4566	#8395
15	P22	MAIN/MASTER	#4569	#8392
16	P20	MON/MASTER	#4566	#8394
17	P23	P15A	#4569	#8395
18	P19	EFX_TO_MAIN	#4566	#8395
19	P1-P9	EQ	#3995	-
20	P11/P12	EFFECTS/MOD	#4581	#8397



GRAPHIC EQ

MASTER

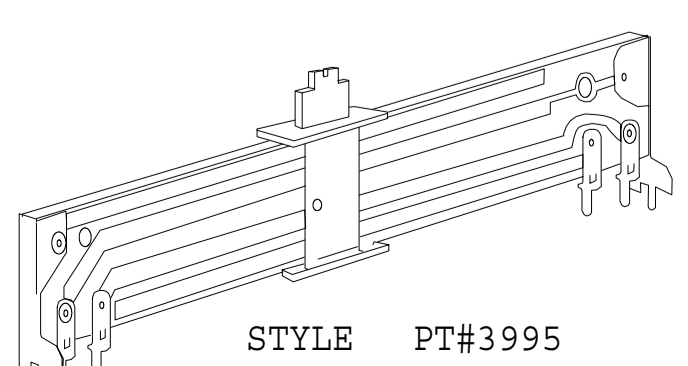
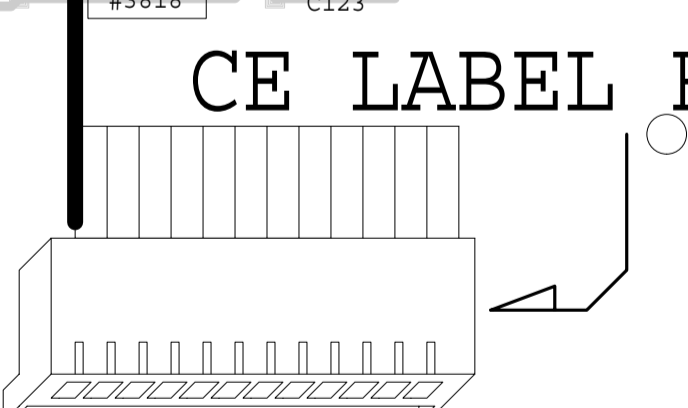
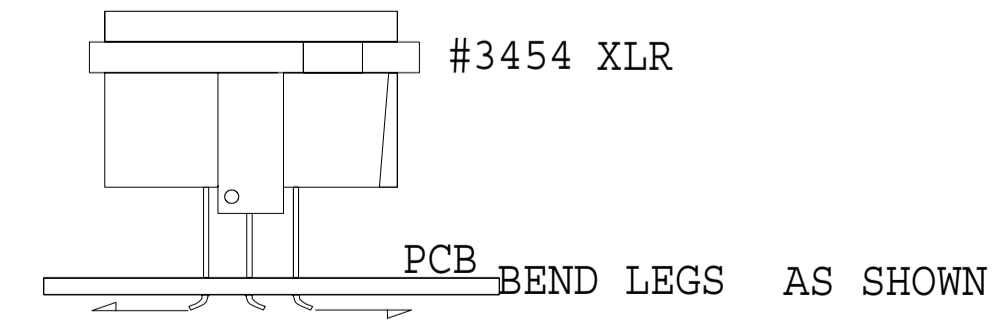




ASSEMBLY M1111-7.10
 PCB MECH M1111-7.10

PRODUCTION NOTES

1. INSTALL U1FX, U2FX, U4FX, U6FX IN SOCKETS AFTER WAVE SOLDERING. USE A GROUND STRAP!!!
2. IF THE 'X1FX' CRYSTAL IS THE TALL (1/2") PACKAGE LEAN IT OVER TOWARD THE ART CHIP.
3. BEND THE LEADS OF THE XLR JACKS (AND ONE 1/4"-SEE #6).
4. BEND THE LEADS OF 1/4" JACK JB2F ONLY.



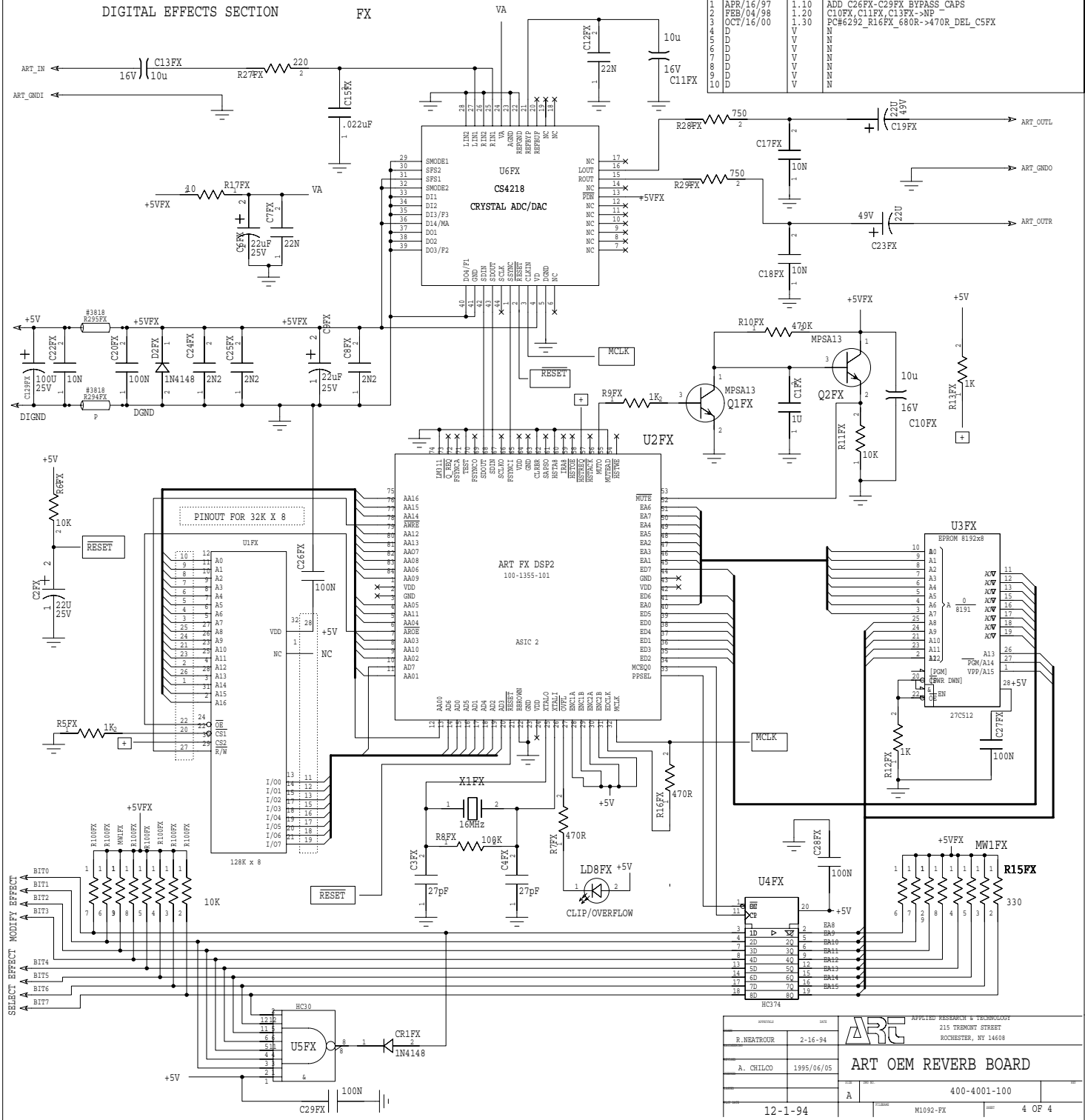
M1111.PCB DATABASE HISTORY		#	DATE	VER#	DESCRIPTION OF CHANGE	
MODEL(S) :- MP-10DS						
1	96/08/01	1.0P0	24	APR/15/97	3.00	PC#XXXX ADD BYPASS_CAPS_C26FX,C27FX C28FX, C29FX
2	96/08/13	1.0P2	25	SEP/10/97	4.00	PC#5457 ADD D10, C10 AT LD4
3	96/08/26	1.0P2	26	APR/09/98	4.01	PC#5682 U10, U13, U11, U14, U12, U21 U19G, U118, U18A, U18C, U18E, U18F, U18G, U18H, U18I, U18J, U18K, U18L, U18M, U18N, U18O, U18P, U18Q, U18R, U18S, U18T, U18U, U18V, U18W, U18X, U18Y, U18Z, U18AA, U18AB, U18AC, U18AD, U18AE, U18AF, U18AG, U18AH, U18AI, U18AJ, U18AK, U18AL, U18AM, U18AN, U18AO, U18AP, U18AQ, U18AR, U18AS, U18AT, U18AU, U18AV, U18AW, U18AX, U18AY, U18AZ, U18BA, U18BB, U18BC, U18BD, U18BE, U18BF, U18BG, U18BH, U18BI, U18BJ, U18BK, U18BL, U18BM, U18BN, U18BO, U18BP, U18BQ, U18BR, U18BS, U18BT, U18BU, U18BV, U18BW, U18BX, U18BY, U18BZ, U18CA, U18CB, U18CC, U18CD, U18CE, U18CF, U18CG, U18CH, U18CI, U18CJ, U18CK, U18CL, U18CM, U18CN, U18CO, U18CP, U18CQ, U18CR, U18CS, U18CT, U18CU, U18CV, U18CW, U18CX, U18CY, U18CZ, U18DA, U18DB, U18DC, U18DD, U18DE, U18DF, U18DG, U18DH, U18DI, U18DJ, U18DK, U18DL, U18DM, U18DN, U18DO, U18DP, U18DQ, U18DR, U18DS, U18DT, U18DU, U18DV, U18DW, U18DX, U18DY, U18DZ, U18EA, U18EB, U18EC, U18ED, U18EE, U18EF, U18EG, U18EH, U18EI, U18EJ, U18EK, U18EL, U18EM, U18EN, U18EO, U18EP, U18EQ, U18ER, U18ES, U18ET, U18EU, U18EV, U18EW, U18EX, U18EY, U18EZ, U18FA, U18FB, U18FC, U18FD, U18FE, U18FF, U18FG, U18FH, U18FI, U18FJ, U18FK, U18FL, U18FM, U18FN, U18FO, U18FP, U18FQ, U18FR, U18FS, U18FT, U18FU, U18FV, U18FW, U18FX, U18FY, U18FZ, U18GA, U18GB, U18GC, U18GD, U18GE, U18GF, U18GG, U18GH, U18GI, U18GJ, U18GK, U18GL, U18GM, U18GN, U18GO, U18GP, U18GQ, U18GR, U18GS, U18GT, U18GU, U18GV, U18GW, U18GX, U18GY, U18GZ, U18HA, U18HB, U18HC, U18HD, U18HE, U18HF, U18HG, U18HH, U18HI, U18HJ, U18HK, U18HL, U18HM, U18HN, U18HO, U18HP, U18HQ, U18HR, U18HS, U18HT, U18HU, U18HV, U18HW, U18HX, U18HY, U18HZ, U18IA, U18IB, U18IC, U18ID, U18IE, U18IF, U18IG, U18IH, U18II, U18IJ, U18IK, U18IL, U18IM, U18IN, U18IO, U18IP, U18IQ, U18IR, U18IS, U18IT, U18IU, U18IV, U18IW, U18IX, U18IY, U18IZ, U18JA, U18JB, U18JC, U18JD, U18JE, U18JF, U18JG, U18JH, U18JI, U18JJ, U18JK, U18JL, U18JM, U18JN, U18JO, U18JP, U18JQ, U18JR, U18JS, U18JT, U18JU, U18JV, U18JW, U18JX, U18JY, U18JZ, U18KA, U18KB, U18KC, U18KD, U18KE, U18KF, U18KG, U18KH, U18KI, U18KJ, U18KK, U18KL, U18KM, U18KN, U18KO, U18KP, U18KQ, U18KR, U18KS, U18KT, U18KU, U18KV, U18KW, U18KX, U18KY, U18KZ, U18LA, U18LB, U18LC, U18LD, U18LE, U18LF, U18LG, U18LH, U18LI, U18LJ, U18LK, U18LL, U18LM, U18LN, U18LO, U18LP, U18LQ, U18LR, U18LS, U18LT, U18LU, U18LV, U18LW, U18LX, U18LY, U18LZ, U18MA, U18MB, U18MC, U18MD, U18ME, U18MF, U18MG, U18MH, U18MI, U18MJ, U18MK, U18ML, U18MN, U18MO, U18MP, U18MQ, U18MR, U18MS, U18MT, U18MU, U18MV, U18MW, U18MX, U18MY, U18MZ, U18NA, U18NB, U18NC, U18ND, U18NE, U18NF, U18NG, U18NH, U18NI, U18NJ, U18NK, U18NL, U18NM, U18NO, U18NP, U18NQ, U18NR, U18NS, U18NT, U18NU, U18NV, U18NW, U18NX, U18NY, U18NZ, U18OA, U18OB, U18OC, U18OD, U18OE, U18OF, U18OG, U18OH, U18OI, U18OJ, U18OK, U18OL, U18OM, U18ON, U18OO, U18OP, U18OQ, U18OR, U18OS, U18OT, U18OU, U18OV, U18OW, U18OX, U18OY, U18OZ, U18PA, U18PB, U18PC, U18PD, U18PE, U18PF, U18PG, U18PH, U18PI, U18PJ, U18PK, U18PL, U18PM, U18PN, U18PO, U18PP, U18PQ, U18PR, U18PS, U18PT, U18PU, U18PV, U18PW, U18PX, U18PY, U18PZ, U18QA, U18QB, U18QC, U18QD, U18QE, U18QF, U18QG, U18QH, U18QI, U18QJ, U18QK, U18QL, U18QM, U18QN, U18QO, U18QP, U18QQ, U18QR, U18QS, U18QT, U18QU, U18QV, U18QW, U18QX, U18QY, U18QZ, U18RA, U18RB, U18RC, U18RD, U18RE, U18RF, U18RG, U18RH, U18RI, U18RJ, U18RK, U18RL, U18RM, U18RN, U18RO, U18RP, U18RQ, U18RR, U18RS, U18RT, U18RU, U18RV, U18RW, U18RX, U18RY, U18RZ, U18SA, U18SB, U18SC, U18SD, U18SE, U18SF, U18SG, U18SH, U18SI, U18SJ, U18SK, U18SL, U18SM, U18SN, U18SO, U18SP, U18SQ, U18SR, U18SS, U18ST, U18SU, U18SV, U18SW, U18SX, U18SY, U18SZ, U18TA, U18TB, U18TC, U18TD, U18TE, U18TF, U18TG, U18TH, U18TI, U18TJ, U18TK, U18TL, U18TM, U18TN, U18TO, U18TP, U18TQ, U18TR, U18TS, U18TT, U18TU, U18TV, U18TW, U18TX, U18TY, U18TZ, U18UA, U18UB, U18UC, U18UD, U18UE, U18UF, U18UG, U18UH, U18UI, U18UJ, U18UK, U18UL, U18UM, U18UN, U18UO, U18UP, U18UQ, U18UR, U18US, U18UT, U18UU, U18UV, U18UW, U18UX, U18UY, U18UZ, U18VA, U18VB, U18VC, U18VD, U18VE, U18VF, U18VG, U18VH, U18VI, U18VJ, U18VK, U18VL, U18VM, U18VN, U18VO, U18VP, U18VQ, U18VR, U18VS, U18VT, U18VU, U18VV, U18VW, U18VX, U18VY, U18VZ, U18WA, U18WB, U18WC, U18WD, U18WE, U18WF, U18WG, U18WH, U18WI, U18WJ, U18WK, U18WL, U18WM, U18WN, U18WO, U18WP, U18WQ, U18WR, U18WS, U18WT, U18WU, U18WV, U18WW, U18WX, U18WY, U18WZ, U18XA, U18XB, U18XC, U18XD, U18XE, U18XF, U18XG, U18XH, U18XI, U18XJ, U18XK, U18XL, U18XM, U18XN, U18XO, U18XP, U18XQ, U18XR, U18XS, U18XT, U18XU, U18XV, U18XW, U18XX, U18XY, U18XZ, U18YA, U18YB, U18YC, U18YD, U18YE, U18YF, U18YG, U18YH, U18YI, U18YJ, U18YK, U18YL, U18YM, U18YN, U18YO, U18YP, U18YQ, U18YR, U18YS, U18YT, U18YU, U18YV, U18YW, U18YX, U18YY, U18YZ, U18ZA, U18ZB, U18ZC, U18ZD, U18ZE, U18ZF, U18ZG, U18ZH, U18ZI, U18ZJ, U18ZK, U18ZL, U18ZM, U18ZN, U18ZO, U18ZP, U18ZQ, U18ZR, U18ZS, U18ZT, U18ZU, U18ZV, U18ZW, U18ZX, U18ZY, U18ZZ

M1111.PCB POT LIST				
REF	FUNCTION	PART#	KNOB	AS OF
MODEL(S) :- MP10DS				
P13A-F	GAIN	#4567	#8392	NOV/2000
P16A-F	PAN	#4566	#8395	
P14A-F	MONITOR	#4567	#8394	
P12A-F	BASS	#4568	#8393	
P10A-F	MID	#4566	#8393	
P11A-F	TREBLE	#4566	#8393	
P15A-F	EFX	#4566	#8395	
P26G-H	LEVEL	#4570	#8392	
P18G-H	BALANCE	#4566	#8395	
P24G-H	MON	#4567	#8394	
P23G-H	BASS	#4571	#8393	
P10G-H	MID	#4569	#8393	

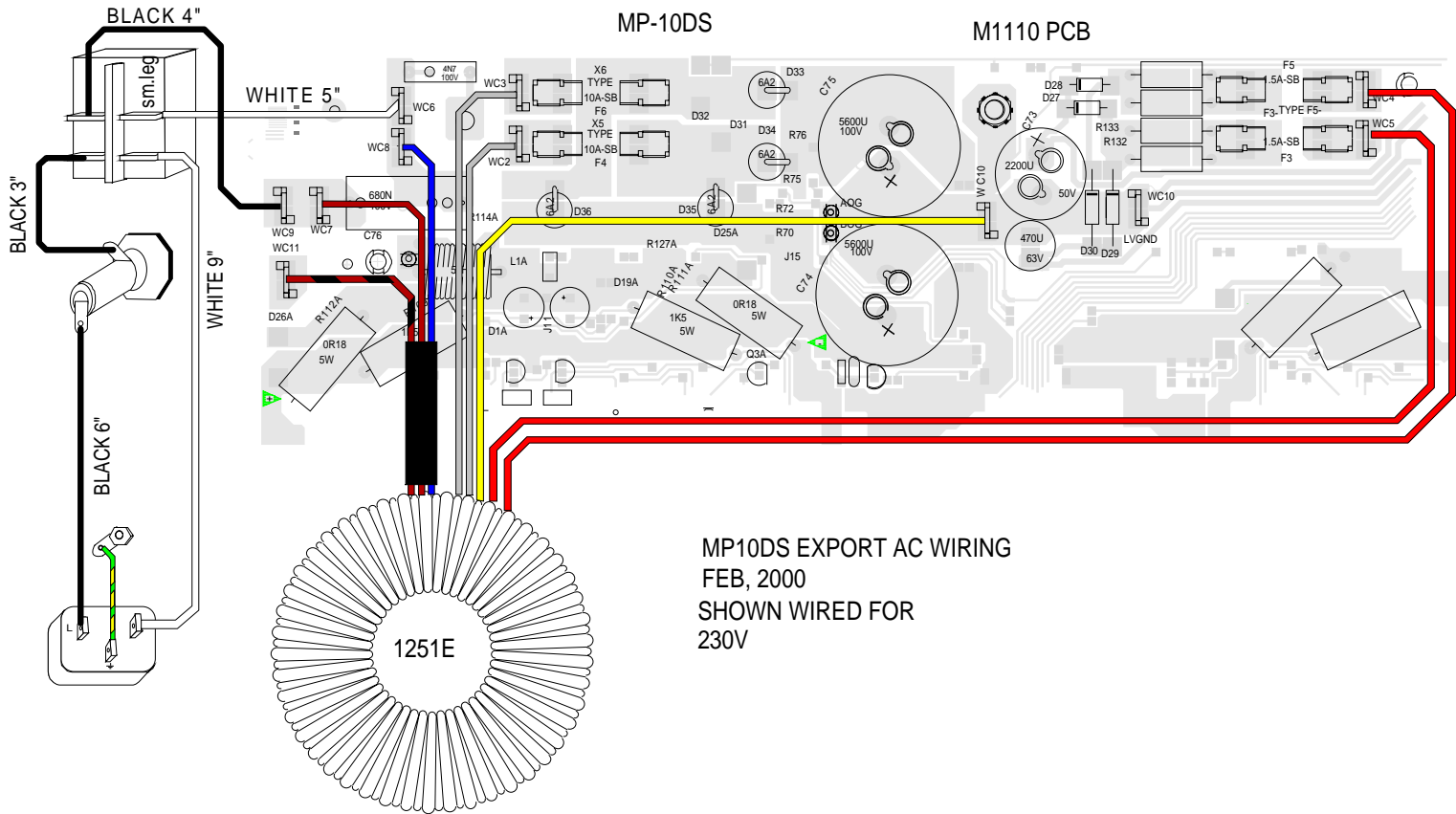
M1111.PCB POT LIST				
REF	FUNCTION	PART#	KNOB	AS OF
MODEL(S) :- MP10DS				
P21G-H	TREBLE	#4569	#8393	JAN/2000
P17G-H	EFFECTS	#4566	#8395	
P22	MAIN/MASTER	#4569	#8392	
P20	MON/MASTER	#4566	#8394	
P23	EFX TO MAIN	#4569	#8395	
P19	EFX TO MON	#4566	#8395	
P1-P9	EQ	#3995	-	
P11	EFFECTS	#4581	#8397	
P12	MODIFY	#4581	#8397	
R	P	K	N	
R	P	K	N	
R	P	K	N	

YORKVILLE	DATE: OCT/16/00	MODELS: AP-812, AP1216DLX MP10DS	SCH ISSUE: 1.30
	NAME: M1111-FX	PCB#/VER: M1101, M1111, M1121	TITLE: DIGITAL_EFFECTS

M1111-FX.SCH DATABASE HISTORY			
MODEL(S) :-	MP10DS		
#	DATE	VER#	DESCRIPTION OF CHANGE
1	APR/16/97	1.10	ADD C26FX-C29FX BYPASS CAPS
2	FEB/04/98	1.20	C10FX, C11FX, C13FX - NP -
3	OCT/16/00	1.30	PC#6292_R16FX_680R->470R_DEL_C5FX
4			
5			
6			
7			
8			
9			
10			



DESIGNED BY	DATE	 APPLIED RESEARCH & TECHNOLOGY 215 TREMONT STREET ROCHESTER, NY 14608
R. HEATROOR	2-16-94	
DESIGNED BY	DATE	ART OEM REVERB BOARD
A. CHILCO	1995/06/05	
REV	DATE	400-4001-100
12-1-94		M1092-FX 4 OF 4



MP10DS EXPORT AC WIRING
 FEB, 2000
 SHOWN WIRED FOR
 230V

