



SERVICE MANUAL



MP8^{DX} 400+200 Watt
8 Channel
Powered Mixer

WEB ACCESS: <http://www.yorkville.com>

WORLD HEADQUARTERS CANADA

Yorkville Sound
550 Granite Court
Pickering, Ontario
L1W-3Y8 CANADA

Voice: (905) 837-8481
Fax: (905) 837-8746

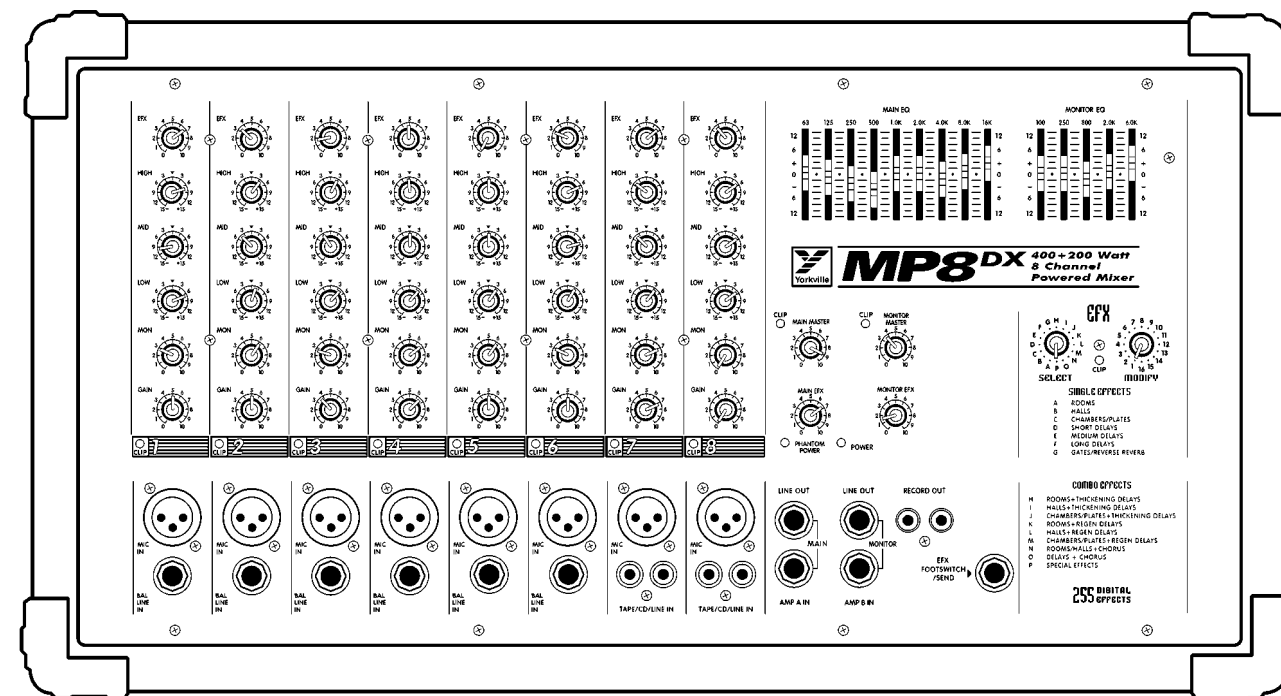
U.S.A.

Yorkville Sound Inc.
4625 Witmer Industrial Estate
Niagara Falls, New York
14305 USA

Voice: (716) 297-2920
Fax: (716) 297-3689



Quality and Innovation Since 1963
Printed in Canada



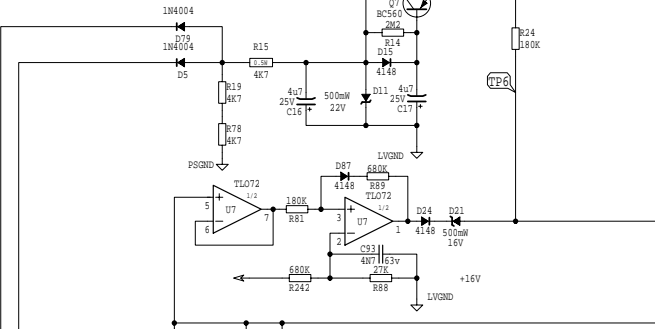
Parts List 10/29/99

YS #	Description	Qty.	YS #	Description	Qty.	YS #	Description	Qty.
3507	28 PIN X .6" I.C DEEP SOCKET	1	5224	.47N 100V 10%CAP T&R RAD .2"FLM	5	4995	1/4W 33R2 1%FLAME PROOF T&R RES	4
3550	44PIN PLCC SOCKET	1	5226	.68N 100V 5%CAP T&R RAD .2"FLM	8	4957	1/4W 47R 5% .2"U T&R RES	16
3557	84PIN PLCC SOCKET	1	5228	100N 100V 5%CAP T&R RAD .2"FLM	20	6200	1/4W 47R5 1%FLAME PROOF T&R RES	3
3571	28 PIN X .6" I.C. SOCKET	1	5314	100N 50V 10%CAP T&R BEAD X7R	23	4590	1/8W 100R0 1%FLAME PROOF T&R RES	5
6994	CRYSTAL CODEC 44PIN PLCC	1	5230	180N 63V 5%CAP T&R RAD .2"FLM	2	4602	1/8W 100R 5% T&R RES	1
6940	16MHZ CRYSTAL VERT 2-PIN .25"CASE	1	5233	330N 63V 5%CAP T&R RAD .2"FLM	2	4852	1/4W 100R 5% T&R RES	9
5906	RED 3MM LED 1V9 20MA .4SPCER T&R	11	5234	470N 63V 10%CAP T&R RAD .2"FLM	1	4987	1/4W 120R 5%MINI T&R RES	1
6403	ORN 3MM LED 1V7 5MA	1	5240	680N 63V 10%CAP T&R RAD .2"FLM	1	4984	1/4W 150R 5%MINI T&R RES	4
6410	GRN 3MM LED 1V7 5MA CLEAR BRT	1	5255	.1U 63V 20%CAP T&R RAD .2"EL	1	6201	1/4W 200R 1%FLAME PROOF T&R RES	2
6425	BAV21 200V 0A25 DIODE T&R	4	5256	.1U 63V 5%CAP T&R RAD .2"FLM	3	4857	1/4W 220R 5% T&R RES	6
6825	1N4148 75V 0A45 DIODE T&R	62	5259	.4U7 63V 20%CAP T&R RAD .2"EL	2	4977	1/4W 220R 5%MINI T&R RES	5
6438	1N4004 400V 1A0 DIODE T&R	5	5281	.10U 16V 20%CAP T&R RAD .2"NP	2	4770	1/4W 249R 1% T&R RES	16
6827	1N5402 200V 3A0 DIODE	3	5282	.10U 16V 20%CAP T&R 5X7MM .2"NP	11	4780	1/8W 274R 1%FLAME PROOF T&R RES	2
6934	MR854 400V 3A0 DIODE FASREC	2	5260	.22U 50V 20%CAP T&R RAD .2"EL	3	4789	1/4W 324R0 0.1% *** T&R RES	1
6434	6A2 200V 6A0 DIODE	8	5631	.22U 50V 20%CAP T&R 5X7MM .2"EL	25	5010	1/4W 330RX9 5% 10PIN SIP RES	1
6733	BAT85 30V 0A2 DIODE SCHTKYT&R	1	5961	.33U 16V 20%CAP T&R RAD .2"NP	8	4950	1/4W 390R 5% .2"U T&R RES	6
6439	1N5225B 3V0 0W5 ZENER 5% T&R	1	5267	.10U 25V 20%CAP T&R RAD .2"EL	4	4690	1/2W 442R 1% T&R RES	1
6440	1N750ARL 4V7 0W5 ZENER 5% T&R	4	5879	100U 16V 20%CAP T&R 8X7MM .2"EL	18	4698	1/8W 475R 1%FLAME PROOF T&R RES	4
6436	1N753ARL 6V2 0W5 ZENER 5% T&R	5	5914	100U 63V 20%CAP BLK 10X13MM EL	6	4933	1/4W 470R 5% .2"U T&R RES	2
6450	1N5242B 12V0 0W5 ZENER 5% T&R	1	5630	330U 25V 20%CAP BLK 10X13MM EL	10	4980	1/4W 470R 5%MINI T&R RES	17
6486	1N5244B 14V0 0W5 ZENER 5% T&R	1	5618	470U 25V 20%CAP BLK 10X15MM EL	2	4799	1/4W 562R 1% T&R RES	16
6822	1N4745A 16V0 1W0 ZENER 5% T&R	4	5887	2200U 50V 20%CAP BLK 18X27MM EL	1	6203	1/4W 590R 1%FLAME PROOF T&R RES	6
6824	1N5246B 16V0 0W5 ZENER 5% T&R	2	5859	4700U 50V 20%CAP BLK 25X36MM ELS	1	4891	1/4W 620R 5% T&R RES	2
6432	1N5248B 18V0 0W5 ZENER 5% T&R	2	5892	6800U 80V 10%CAP BLK 35X40MM ELS	2	4922	1/4W 620R 5% .2"U T&R RES	9
6463	1N5251BRL 22V0 0W5 ZENER 5% T&R	1	5900	10000U 63V 20%CAP BLK 35X45MM ELS	2	4673	1/2W 680R 5% T&R RES	2
6426	1N5254B 27V0 0W5 ZENER 5% T&R	1	4581	ROT GRY 18MM 4BIT ENCODER P23	2	4743	1/4W 681R0 0.1% *** T&R RES	1
6485	1N5256C 30V0 0W5 ZENER 2% T&R	2	4566	.10K B LIN 9MM P25	26	4923	1/4W 680R 5% .2"U T&R RES	2
6738	MC7805CT TO220 P 5V0 REG V1	1	4567	.20K 5C R/A 9MM P25	16	4924	1/4W 750R 5% .2"U T&R RES	3
5101	BC550C TO92 NPN TRAN T&R TB	7	4568	.50K B LIN 9MM P25	10	4925	1/4W 820R 5% .2"U T&R RES	1
5102	BC560C TO92 PNP TRAN T&R TB	10	3999	.20K 1B LIN 30MM OPN S06	14	4758	1/4W 953R 1% T&R RES	1
5103	MPSA06 TO92 NPN TRAN T&R TA	4	4520	.10K TRIM POT	1	4823	1/4W 1K 5% T&R RES	6
5104	MPSA56 TO92 PNP TRAN T&R TA	2	4541	100R TRIM POT	1	4913	1.0W 1K 5% T&R RES	2
5105	MPSA13 TO92 NPN DARL T&R TA	13	2408	8.0 AMP CIRCUIT BREAKER	1	4981	1/4W 1K 5%MINI T&R RES	12
5106	MPSA63 TO92 PNP DARL T&R TA	2	3759	.4UH COIL 14AWG ZOBEL VERTICAL	1	6110	1/4W 1K0 1%MINI MF T&R RES	2
5119	2N5638 TO92 NCH JFET T&R TC	2	3819	.5UH COIL 18AWG R000 AIR CORE	1	4585	1/4W 1K2 5%MINI T&R RES	16
5123	NJM431L TO92 S 2V0 REG T&	1	8674	R385 PLASTIC CORNER W TREAD	8	4802	1/4W 1K21 1% T&R RES	1
6814	MJF6668 T221D PNP TRAN DARL TJ	1	3490	CLIP 250X032 14-16AWG DISCO/INSL	7	4824	1/4W 1K5 5% T&R RES	1
6815	MJF6388 T221D NPN TRAN DARL TJ	2	3494	CLIP 205/187X020 14-16AWG DISCO/INS	2	4988	1/4W 1K5 5%MINI T&R RES	1
6902	TIP142 TO218 NPN TRAN DARL TE	2	3682	250 MALE PCB TAB BULK CARTRIGE	14	4738	5.0W 1K8 5% BLK RES	2
6903	TIP147 TO218 PNP TRAN DARL TE	2	3498	1/4" JCK PCB MT HORZ	4	4919	1/4W 2K05 1%-NO SUBS- T&R RES	1
6912	BDX53C TO220 NPN TRAN DARL TE	1	3921	1/4" JCK PCB MT VERT STER RT SWT	11	4705	2.0W 2K2 5% BLK RES	2
6988	MJL21194 TO3P NPN TRAN TK	3	3466	RCA DUAL PCB MT VERT GOLD 24MM	3	6202	1/4W 2K21 1%FLAME PROOF T&R RES	2
6989	MJL1302A TO3P PNP TRAN TK	1	3454	XLR FEML PCB MT VERT 24MM FLT CONT	8	4587	1/4W 2K32 1% T&R RES	1
6990	MJL3281A TO3P NPN TRAN TK	1	3451	EYELET SMALL 0.089 OD PLATED	25	4588	1/4W 2K43 1% T&R RES	1
6991	MJL21193 TO3P PNP TRAN TK	3	3414	INTERNATIONAL PC MOUNT FUSEHOLDER	2	4936	1/4W 2K7 5% .2"U T&R RES	1
6798	MC4741CP IC QUAD OP AMP	9	2425	2.0 AMP SLO-BLO .25X1.25 FUSE	1	4805	1/4W 2K87 1% T&R RES	1
6840	MC33078P IC DUAL OP AMP	7	3630	FAN GUARD METAL 80MM CHROME	1	4788	1/4W 3K160 0.1% *** T&R RES	1
6882	TL072CP IC FET DUAL OP AMP	10	3863	FAN 80MM X 80MM 39CFM 12VDC 173MA	1	6136	1/4W 3K3 5%MINI T&R RES	3
6745	LM13600N IC XCONDUCTANCE AMP	1	8458	10.5" STRAP HANDLE, PLASTIC COVERS	1	4756	1/4W 4K120 0.1% *** T&R RES	4
6943	74HC374N IC OCTAL DTYPE LATCH	1	8604	10-32 T NUT	2	4793	1/4W 4K590 0.1% *** T&R RES	1
6962	74HC30 IC 8-INPUT NAND GATE	1	3692	HEATSINK THERMALLOY 6079-PB	2	4627	1/2W 4K7 5% T&R RES	2
6981	27C512 PROM IC YORKVILLE 16X16 PRG	1	3501	B52200F006 COMP WASH #4 SMALL	5	4827	1/4W 4K7 5% T&R RES	17
6992	1365-102 IC DIGITAL REVERB ASIC	1	3719	DUAL XSISTOR TO218 SPRING YEL PLTD	2	4943	1/4W 4K7 5% .2"U T&R RES	2
6993	1250-101 IC SRAM 32KX8	1	3745	DUAL XSISTOR PBL SPRING PLATE ZN	4	4982	1/4W 4K7 5%MINI T&R RES	26
5190	MBS4992 TO92 8V5 DIAC	1	3804	SNAP ON 1.5" INSULATING BUSHING	1	6128	1/4W 4K99 1%MINI MF T&R RES	32
6448	BT139 TO220 16A TRIAC 500V	1	3806	RECTANGULAR WASHER FOR TRANS SUPPR	3	4978	1/4W 6K8 5%MINI T&R RES	5
6880	4N35 OPTO-COUPLER	2	3803	NYLON SECUR-A-TACH MINI PLASTIC TIE	1	4801	1/4W 6K98 1% T&R RES	5
6477	100K 5% 1/4W THERMISTOR T&R 0.2	2	3810	4" NYLON CABLE TIE	9	4926	1/4W 7K5 5% .2"U T&R RES	2
5400	.10P 100V 10%CAP T&R BEAD NPO	1	3471	8' 3/16 SUT AC LINE CORD 250 CLIPS	1	4990	1/4W 8K2 5%MINI T&R RES	2
5405	.27P 200V 5%CAP T&R RAD CER.2"NPO	3	3821	HEYCO #1200 STRAIN RELIEF	1	4810	1/4W 9K1 5% T&R RES	3
5406	.33P 50V 10%CAP BLK BEAD NPO	1	8900	YORKVILLE WARRANTY CARD 2-YR UNLTD.	1	4800	1/4W 10K0 1% T&R RES	1
5203	.47P 100V 2%CAP T&R RAD CER.2"NPO	8	3638	12 CIR CABLE HOLDER .098	1	4940	1/4W 10K 5% .2"U T&R RES	1
5199	100P 100V 2%CAP T&R RAD CER.2"NPO	2	8701	4-40 KEPS NUT ZINC	4	4983	1/4W 10K 5%MINI T&R RES	12
5410	100P 100V 10%CAP T&R BEAD NPO	1	8800	6-32 KEPS NUT ZINC	2	6116	1/4W 10K0 1%MINI MF T&R RES	27
5412	220P 100V 10%CAP T&R BEAD NPO	3	8797	5/16-18 KEPS NUT JS500	1	4860	1/4W 11K 5% T&R RES	2
5416	470P 50V 10%CAP T&R BEAD NPO	2	3846	TO220 THERMO PAD LARGE HOLE 56359B	3	4775	1/4W 14K0 1% T&R RES	1
5816	680P 100V 5%CAP T&R RAD CER.2"NPO	1	3866	ELASTOMER PAD TSIL 3 1.2X6.0	3	4771	1/4W 17K8 1% T&R RES	1
5206	.1N 400V 5%CAP T&R RAD .2"FLM	2	3580	12 CIR WAFER W/LCK VT 0.1"	1	6125	1/4W 18K 5%MINI T&R RES	26
5273	.1N5 200V 5%CAP T&R RAD CER.2"NPO	29	3818	EMI SUPPRESSION FERRITE BEAD T&R	3	6123	1/4W 20K0 1%MINI MF T&R RES	2
5274	.2N2 200V 5%CAP T&R RAD CER.2"NPO	6	4597	22AWG STRAN TC WIR JMP	55	4777	1/4W 21K5 1% T&R RES	2
5426	.2N2 50V 10%CAP T&R BEAD Y5R	2	4599	22AWG SOLID SC WIR T&R JMP	118	4956	1/4W 27K 5% .2"U T&R RES	2
5275	.3N3 100V 5%CAP T&R RAD .2"FLM	1	5299	24AWG SOLID SC WIR RAD JMP	14	6129	1/4W 27K 5%MINI T&R RES	7
5209	.4N7 250V 5%CAP T&R RAD .2"FLM	6	4745	5.0W 0R1 5% BLK RES	6	4840	1/4W 33K 5% T&R RES	17
6451	.4N7 250V 20%CAP BLK 'Y' 10MM AC	1	4729	5.0W 0R27 5% BLK RES	4	4947	1/4W 33K 5% .2"U T&R RES	1
5204	.10N 100V 10%CAP T&R RAD .2"FLM	18	4694	5.0W 1R8 5% BLK RES	1	6122	1/4W 33K 5%MINI T&R RES	13
5300	.10N 50V 10%CAP T&R BEAD X7R	1	4703	2.0W 2R 5% T&R RES	2	4794	1/4W 37K90 0.1% *** T&R RES	1
5207	.18N 100V 5%CAP T&R RAD .2"FLM	1	4605	1/8W 10R 5% T&R RES	11	4878	1/4W 43K 5% T&R RES	7
5210	.22N 100V 10%CAP T&R RAD .2"FLM	13	4686	1.0W 10R 5%FLAME PROOF T&R RES	2	4908	1/4W 45K3 1% T&R RES	2
6435	.22N 275V 20%CAP BLK 'X2' 15MM AC	2	4709	5.0W 22R 5% BLK RES	1	4834	1/4W 47K 5% T&R RES	2
5222	.33N 100V 10%CAP T&R RAD .2"FLM	3	4589	1/8W 33R 2%FLAME PROOF T&R RES	7	4927	1/4W 47K 5% .2"U T&R RES	1

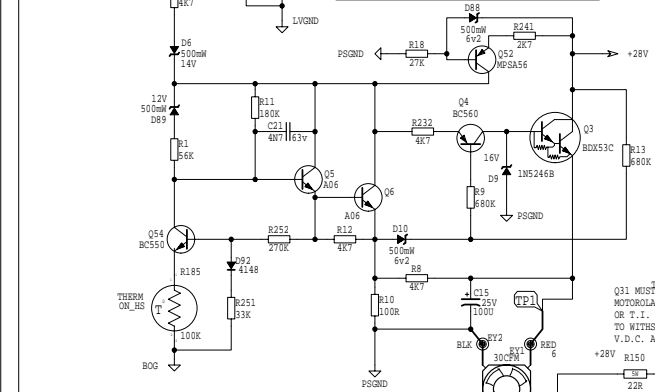
Parts List 10/29/99

YS #	Description	Qty.
6119	1/4W 47K 5%MINI T&R RES	2
4835	1/4W 56K 5% T&R RES	1
4928	1/4W 56K 5% .2"U T&R RES	5
4836	1/4W 68K 5% T&R RES	6
4760	1/4W 75K 5% T&R RES	2
4586	1/4W 82K 5%MINI T&R RES	10
4929	1/4W 82K 5% .2"U T&R RES	16
4942	1/4W 100K 5% .2"U T&R RES	2
6120	1/4W 100K 5%MINI T&R RES	4
4851	1/4W 120K 5% T&R RES	3
4796	1/4W 180K 5%MINI T&R RES	3
4865	1/4W 390K 5% T&R RES	1
6127	1/4W 470K 5%MINI T&R RES	3
4880	1/4W 680K 5% T&R RES	4
4948	1/4W 1M 5% .2"U T&R RES	5
4951	1/4W 4M7 5% .2"U T&R RES	8
3740	15" 12C-26AWG RIB 1 W/LCK HDR 098	1
9892	CABINET COVER, BLUE/BLACK, 54" WIDE	8.25
9006	20GA SATINCOAT STEEL 4 X 8 SHEET	2.6
9010	16GA COLD ROLLED STEEL 4X8' SHEET	4
9011	16GA SATINCOAT STEEL 4 X 8' SHEET	0.16
9140	.125" 48X96 UTILITY ALUM W/PLASTIC	0.083
9250	.040" 48X96 5052H32 ALUM VINYL LAMI	1.3
9564	HEATSINK (RIDGE) AP812/818/DJM806	1
9811	3/4"X4"X8" SPRUCE STAN. SHEATING	4.05
8865	4-40 X 5/16 PAN PH MS JS500	20
8742	4-40 X 3/8 PAN PH TAPTITE JS500	2
8861	4-40 X 3/8 PAN PH MS JS500	4
8741	4-40 X 1/2 PAN PH MS JS500	3
8842	#4 X 5/16 PAN QUAD TYPE A JS500 BLK	19
8799	#6 X 1/4 PAN PH TYPE B JS500	1
8801	6-32 X 3/8 PAN PH TAPTITE JS500	11
8829	6-32 X 3/8 FLAT PH TAPTITE B0#4 HEA	2
8823	6-32 X 1 PAN PH TAPTITE JS500	3
8803	8-32 X 3/8 PAN QUAD TAPTITE JS500	8
8785	#8 X 3/4 OVAL PH TYPE A JS500 BLACK	32
8874	8-32 X 1" PAN PHIL TAPTITE JS500	5
8749	10-32 X 1/2 QDX PH TAPTITE JS500	4
8781	#10 X 7/8 FLAT PHIL TYPE A JS500BLK	2
8783	10-32 X 1 PAN QUAD TT JS500 BLACK	9
8821	10-16 X 1 3/32 TYPE B HEX W/SLOT BL	6
8843	10-32 X 1 1/8 FLAT PH MS JS500	2
8740	5/16-18 X 3 GRD 5 HEX BOLT JS500	1
8607	3/16 NYLON SPACER OD 1/8 X ID .063	4
3744	SNAP IN .375 SPACER RICHCO	7
3739	CUSTOM .4 LED SPACER	2
3859	1/2 PLASTIC HEX SPACER #4	10
8657	6-32 X 3/8" HEX SPACER ALUMINUM	1
8667	SHOULDER WASHER SWS-229 LENGTH 1/8	3
8482	3/8 1D FLAT WASHER	12
8818	3/4 OD X 5/16 ID X .08 THICK WASHER	2
8817	#10 FLAT WASHER FOR 3/16" BOLT	15
3436	DPDT PUSH SW PCMT H BREAK B4 MAKE	1
3587	DPDT ROKR SW QUIK 250"AC/PWR ON-OFF	1
8581	CUSTOM PBL TRANSISTOR SPACER	6
3398	THRL BRKR.OP@198F/CL@173F 36TX21	1

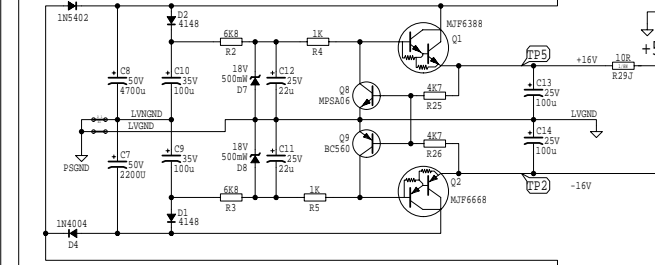
FET TURN ON/OFF CIRCUIT



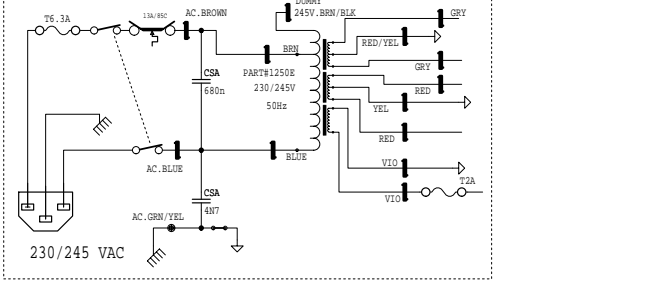
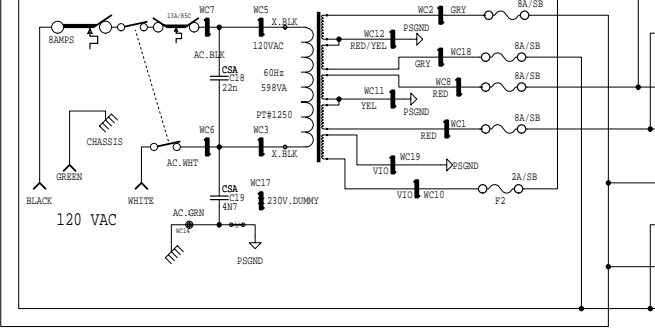
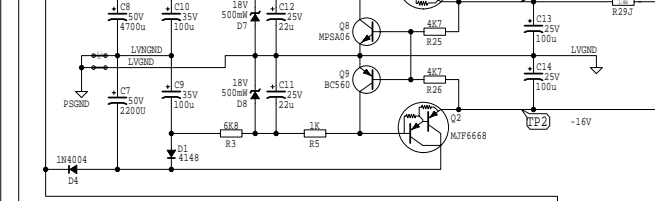
FAN SPEED CONTROL CIRCUIT



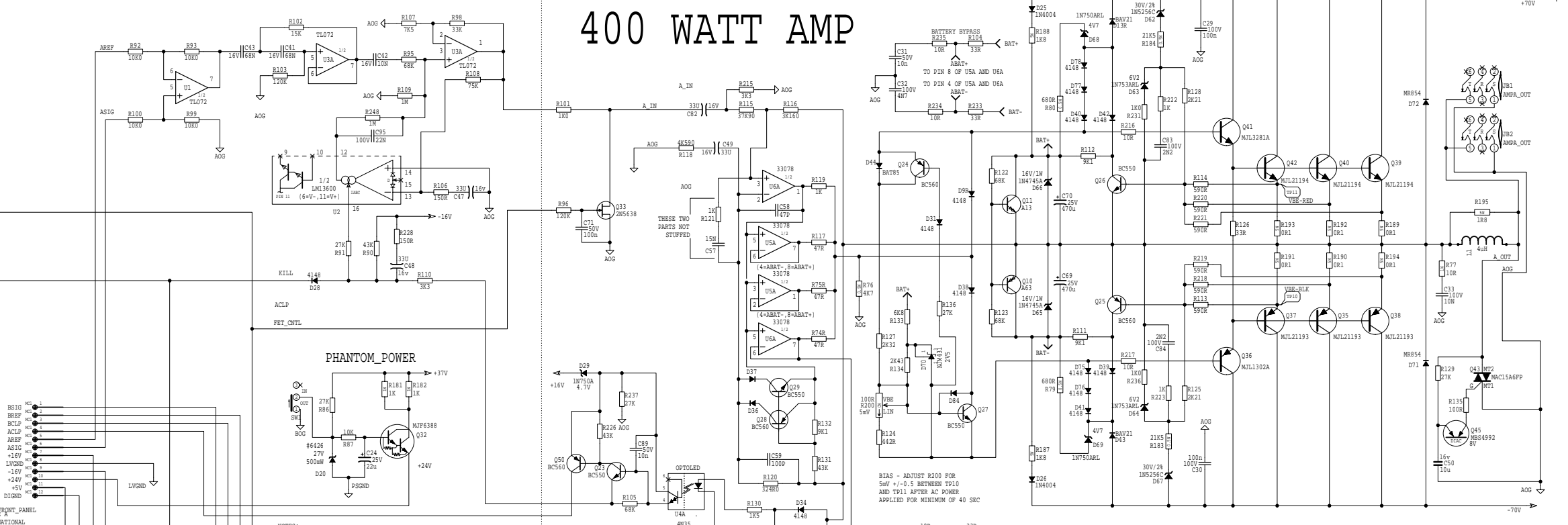
+/- 16 VOLT POWER SUPPLY



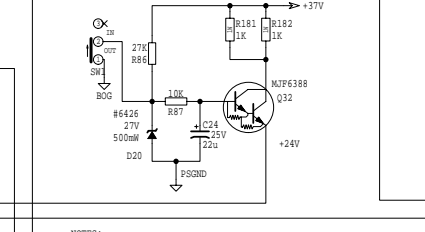
+5V SUPPLY



400 WATT AMP



PHANTOM POWER



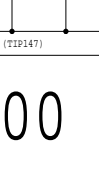
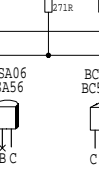
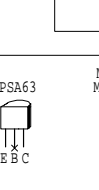
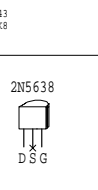
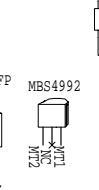
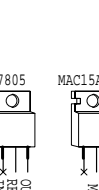
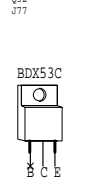
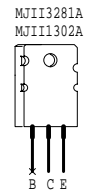
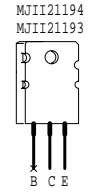
NOTES: ALL UNMARKED DIODES ARE 1N4148 BIAS-ADJUST R200 FOR 5-6mv BETWEEN TP10 AND TP11, AFTER AC POWER IS APPLIED FOR A MINIMUM OF 40 SECONDS

BIAS - ADJUST R200 FOR 5mv +/-0.5 BETWEEN TP10 AND TP11 AFTER AC POWER APPLIED FOR MINIMUM OF 40 SEC

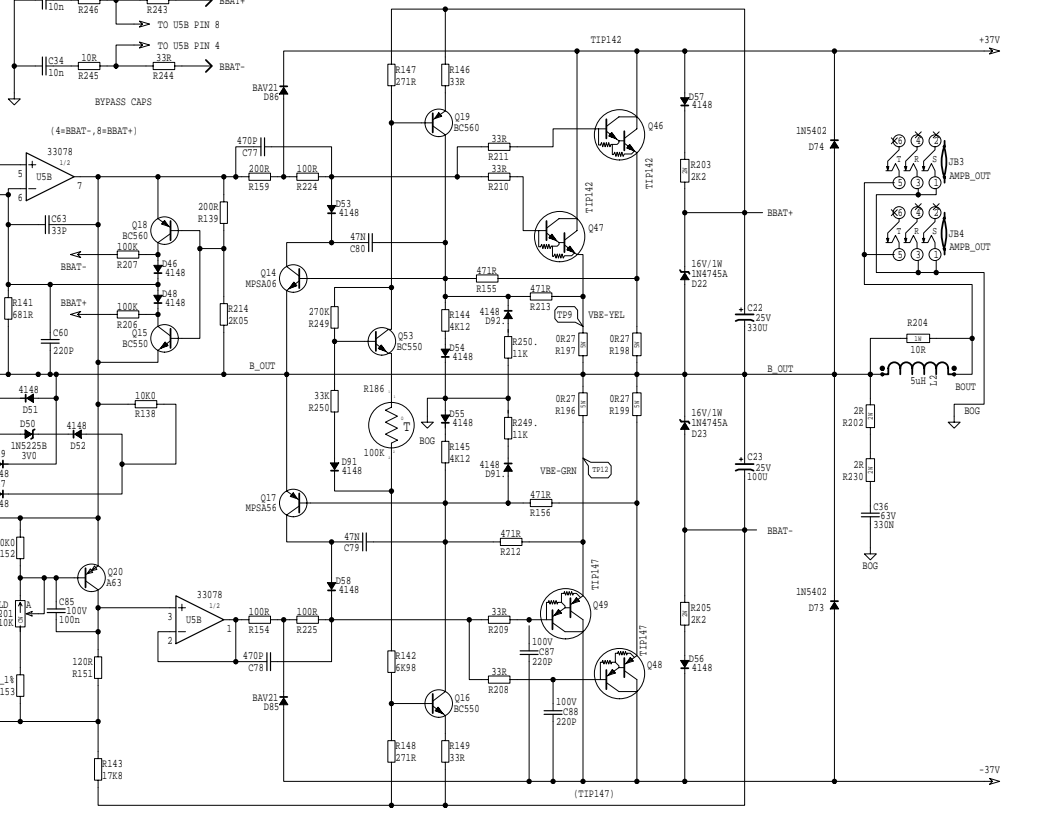
MI093.SCH_DATABASE_HISTORY table with columns: #, DATE, VER#, DESCRIPTION OF CHANGE

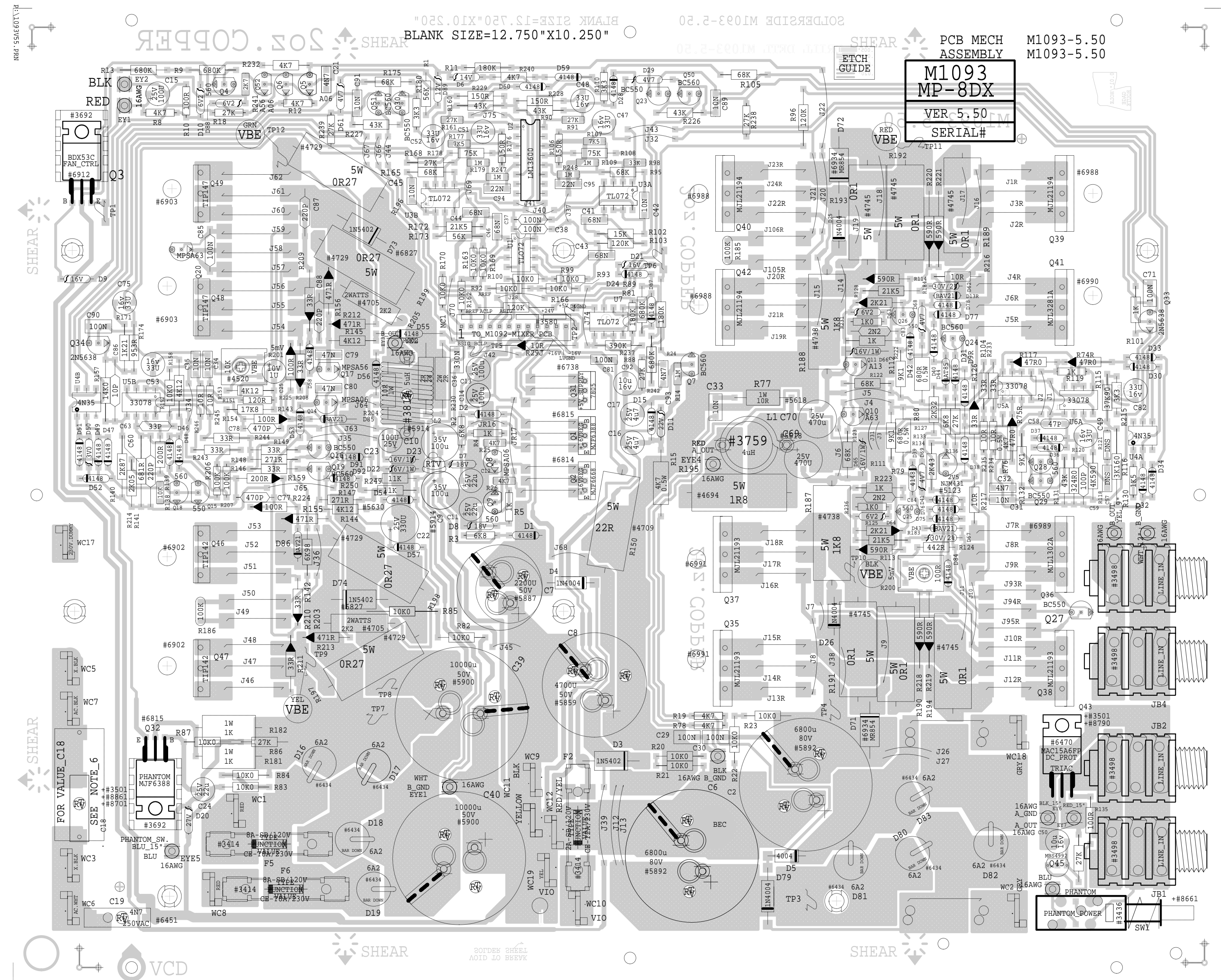
MI093.SCH_DATABASE_HISTORY table with columns: #, DATE, VER#, DESCRIPTION OF CHANGE

MI093.SCH_DATABASE_HISTORY table with columns: #, DATE, VER#, DESCRIPTION OF CHANGE



200 WATT AMP





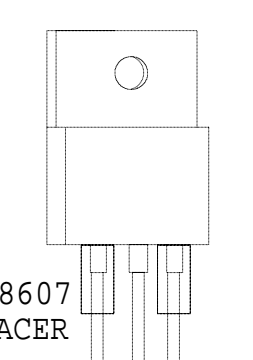
M1093.PCB_DATABASE_HISTORY

MODEL(S) :- MP8-DX

#	DATE	VER#	DESCRIPTION OF CHANGE
1	NOV/24/95	2.01	U3A&B CHG TL072-->NJM3404.LIMITER
2			LATCH-UP FIX;
3	NOV/28/95	2.10	PC #4964 C18 S; #5243 -->#5266
4	DEC/11/95	2.20	ADDED BRK HOLES FOR REG_XTR'S
5	DEC/13/95	2.30	PC#4966 ADD #8607_SPACERS_TO
6			Q46,Q47,Q48,Q49
7			PC#4973 R153 2K05-->4K12 1% #4774
8	FEB/06/96	2.40	PC#5019 1M+22N ADDED TO U2.-U3A/B
9			FROM NJM3404 TO TL072
10	JAN/21/97	2.41	PC#5265 RESISTORS TO FLAMEPROOF
11			SEE NOTE BELOW
12	97/01/29	3.00	CHG VBE MTG&ROUT FOR NEW H.S.
13	JUN/02/97		PC#5398 ADD EXTRA PAD FOR COIL
14	MAY/97		PC#5397 VBE_ADJUST 5MV
15	FEB/04/98	3.01	PC#5588 R11 150K->180K
16	MAR/05/98	4.00	PC#5598 GRND_CHANGED_ADD EYELET
17			FOR COIL
18	OCT/20/99	5.00	PC#6147 REDO JUMPERS FOR Q46,Q47
19			Q48 BREAKAWAY_BOARDS_MOVE TRACES
20			FOR Q20,Q27
21			PC#6148 ADD R249,R250,D91,D92
22	JAN/18/00		PC#6190 ADD FUSES F5 F6
23	APR/18/00	5.10	PC#6106 Q48,Q49 BDV64B->TIP147
24			Q47,Q46 BDV65B->TIP142
25	MAY/30/01	5.20	PC#6383 REPLACE R16,R17 WITH JR16,
26			JR17 J29->10R-1/8WFP(R29J)
27	NOV/26/01	5.30	PC#6202 R102 43K->15K C42 68N->10N
28			R172 43K->22K R173 100K->47K C45_
29			68N->10N
30	DEC/10/01	5.40	PC#6491 R172 22K->21K5 R173 47K->
31			56K R168 33K->27K
32	MAY/29/03	5.50	PC#6610 Q43 BT139->MAC15A6FP
33	SEP/08/04		UPDATE_TO_FUSIBLE_RESISTORS
34			V N
35			V N
36			V N
37			V N
38			V N
39			V N
40			V N
41			V N
42			V N
43			V N
44			V N
45			V N
46			V N
47			V N
48			V N
49			V N
50			V N

PRODUCTION NOTES

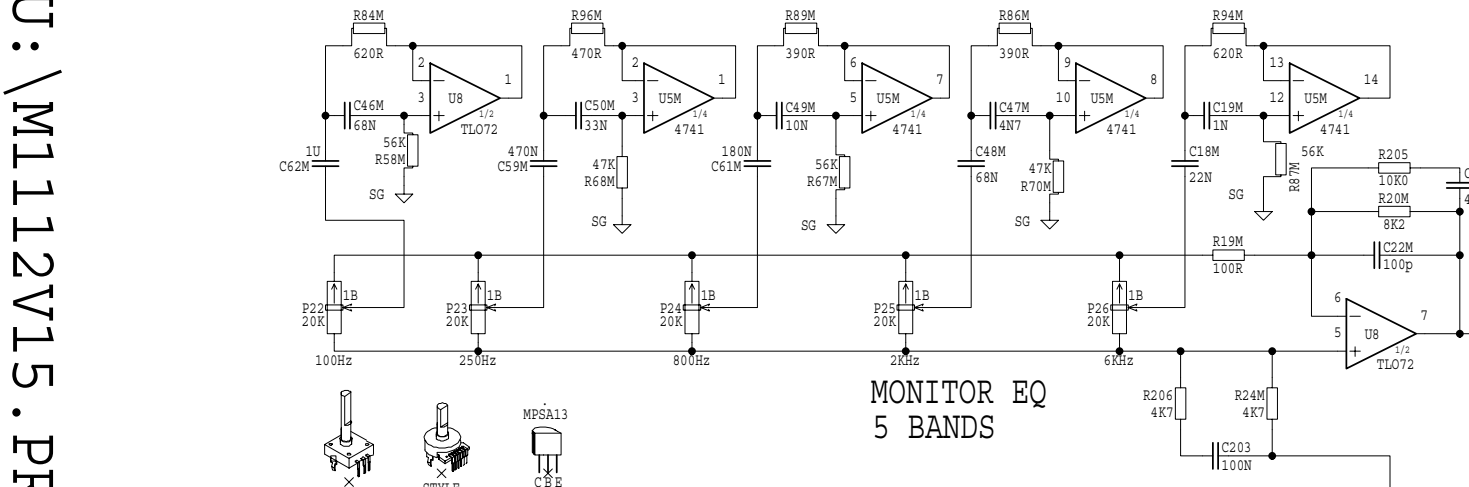
- 1.PUT IN WHT WIRE (EYE1) BEFORE C39 AND C40.
- 2.THESE EYELETS ARE PUT IN FROM THE BOTTOM.
- 3.THESE EYELETS ARE PUT IN FROM THE TOP.
4. PUT #8613 CAP ON THERMISTOR R185, R186 THEN FOLD DOWN
5. C18 NORTH AMERICAN PT#6435 22N 275VAC C18 EXPORT CE PTH#5266 680N 250VAC
6. ADD #8607 SPACER TO Q46,Q47,Q48,Q49
7. INDICATES FLAMEPROOF
8. D22 D23 16V 1W
- 9.
- 10.
- 11.



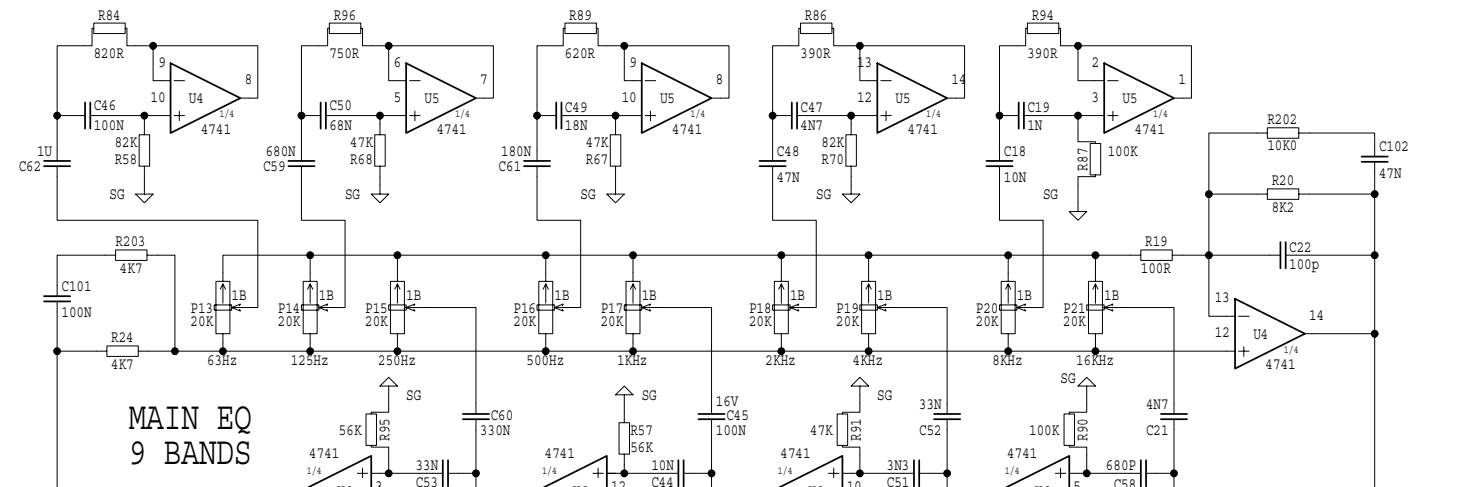
PC#5265 TO FLAMEPROOF R74R,R75R,R117,R126,R211,R210,R209 R208,R159,R224,R155,R213,R156,R212,R154,R225,R128 R125,R114,R220,R221,R219,R218,R113

U:\M1112V15.PRN

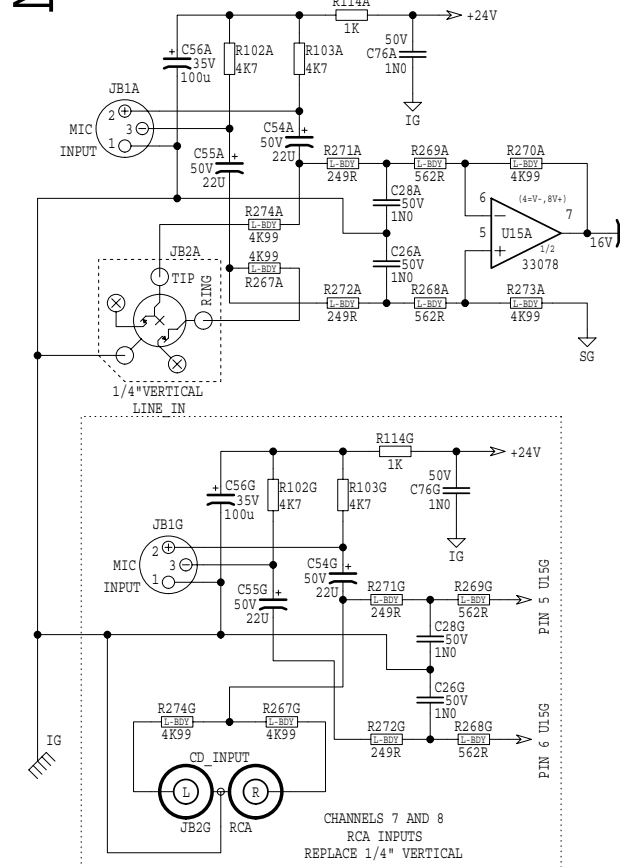
CHANNELS 1 TO 6



MONITOR EQ
5 BANDS



MAIN EQ
9 BANDS

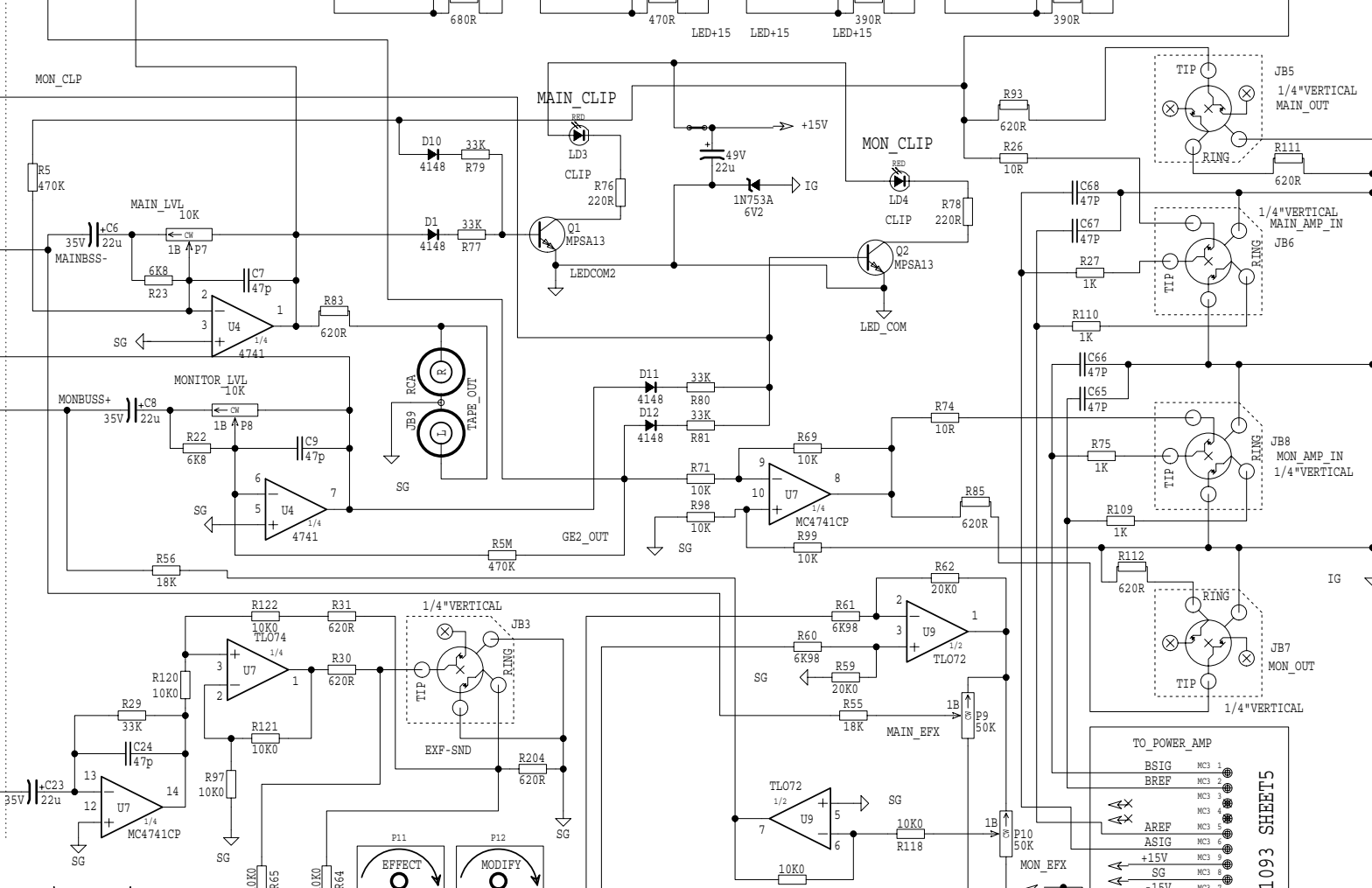


INPUTS

NOTE - REFERENCE DESIGNATORS
MOST PARTS IN CHANNEL 1 WITH SUFFIX A WILL EXIST IN CHANNELS 2-8 WITH SUFFIXES B-H. ANY PARTS WHICH ARE SHARED BY ADJACENT CHANNELS WILL HAVE THE SUFFIX BELONGING TO THE LOWER NUMBERED CHANNEL. I.E. IF U12A IS SHARED BY CHANNELS 1 AND 2, THERE WILL NOT BE A U12B.

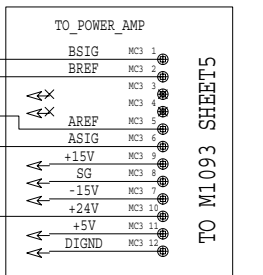
M1112.SCH DATABASE HISTORY			
#	DATE	VER#	DESCRIPTION OF CHANGE
1	96/03/30	1.00	NEW
2	JAN/25/00	1.20	ADD POT LIST
3	OCT/24/00	1.30	PC#E337-C70A 330u-25V-330u-16V
4	FEB/15/01	1.40	PC#6309-C76A/G,C26A/G,C28A/G
5			1N5/200V->1N0/50V
6	MAY/30/01	1.50	PC#6383_ADD R16J,R43J,R56J,R66J
7	D	N	N
8	D	N	N
9	D	N	N
10	D	N	N

M1112.PCB POT LIST					
#	REF	FUNCTION	PART#	KNOB	AS OF
1	P15A	EFFECTS SND	#4566	#8395	JAN/2000
2	P11A	CHAN TREBLE	#4566	#8393	
3	P10A	CHAN MID	#4566	#8393	
4	P12A	CHAN BASS	#4568	#8393	
5	P14A	MONITOR SND	#4567	#8394	
6	P13A	CHAN GAIN	#4567	#8392	
7	P7	MAIN	#4566	#8392	
8	P8	MONITOR	#4566	#8394	
9	P9	EPX-MAIN	#4568	#8395	
10	P10	EPX-MONITOR	#4568	#8395	
11	P11	EFFECTS	#4581	#8397	
12	P12	MODIFY	#4581	#8397	
13	P13-P21	MAIN EQ	#3999		
14	P22-P26	MONITOR EQ	#3999		
15	D	N	N	N	D
16	D	N	N	N	D
17	D	N	N	N	D
18	D	N	N	N	D
19	D	N	N	N	D
20	D	N	N	N	D

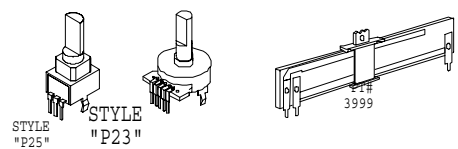


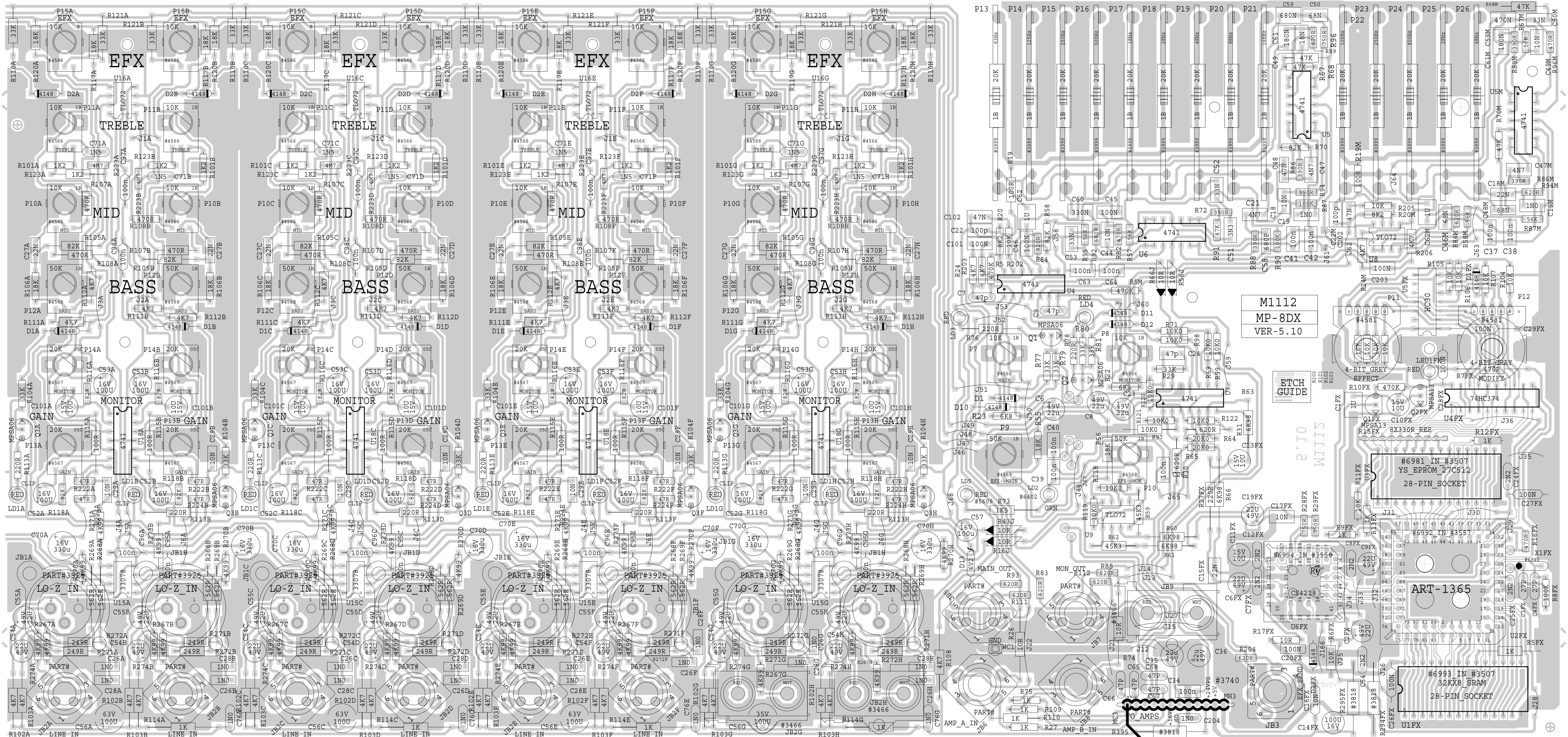
TO DIGITAL EFFECTS

ALL UNMARKED DIODES ARE IN4148



ONE PAIR OF BYPASS CAPS ARE LOCATED WITH EACH I.C.

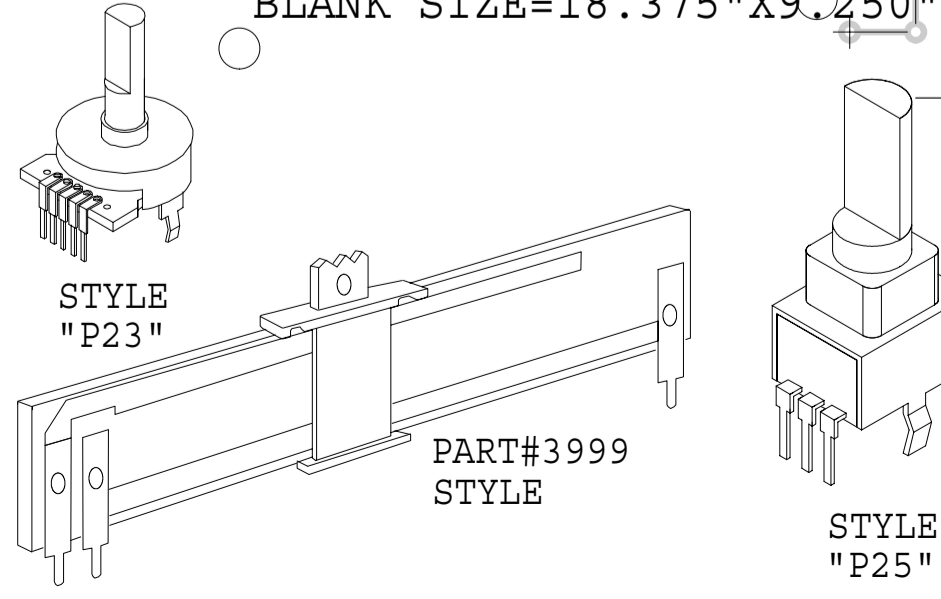
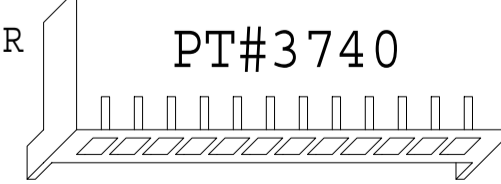




ASSEMBLY M1112-5.10
PCB MECH M1112-5.10

PRODUCTION NOTES

- INSTALL U1FX, U2FX, U4FX, U6FX IN SOCKETS AFTER WAVE SOLDERING. USE A GROUND STRAP!!!
- IF THE 'X1FX' CRYSTAL IS THE TALL (1/2") PACKAGE LEAN IT OVER TOWARD THE ART CHIP.
- BEND THE LEADS OF THE XLR JACKS (AND ONE 1/4"-SEE #6).
- BEND THE LEADS OF 1/4" JACK JB2F ONLY.
- SOLDER WITH THE JIG FOR 9MM POTS AND THE JACKS.
- PUT A NUT ON JB2F TO HOLD THE JIG DOWN FOR SOLDERING
- SHEAR LEFT AND RIGHT SIDES BEFORE THE TOP AND BOTTOM SO THE BOARD WILL FIT INTO THE SHEAR.



M1112.PCB DATABASE HISTORY

#	DATE	VER#	DESCRIPTION OF CHANGE
1	97/01/21	1.0P0	FIRST PROTOTYPE
2	97/01/24	1.0P1	CHG R120, 117, A-H-R55, R56->18K
3	MAR/04/97	1.00	PC#5310 C1FX 680N->1u
4	MAR/18/97	1.10	SHORT AT C9FX REPAIRED_R7FX_MOVED AWAY FROM POT SUPPORT
5	APR/22/97	2.00	PC#5366 ADD BYPASS_CAPS_AT_U1FX U3FX, U4FX, U5FX
6			
7			
8	JUN/05/97	3.10	CHG ALL POT_LEG MASKING_TO_ADD_EDGE
9	AUG/26/99	3.20	PC#5988_XLR_#3454->#3925
10	OCT/16/00	3.30	PC#6292_R16FX 680R->470R DEL C5FX
11	OCT/31/00	4.00	PC#6337_C70A-H_330u-25V->330u-16V

M1112.PCB POT LIST

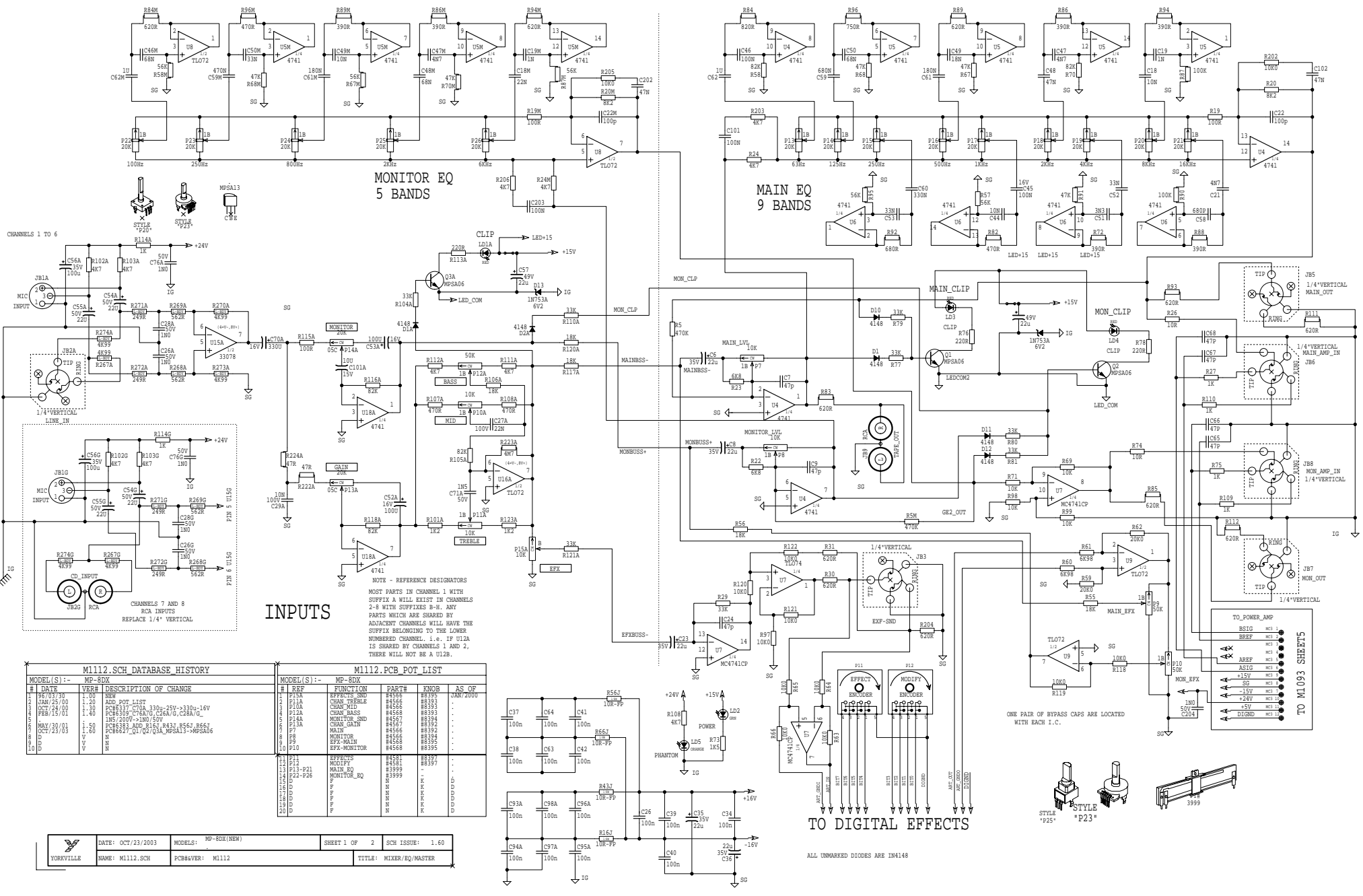
REF	FUNCTION	PART#	KNOB	AS OF
P15A-H	EFX	#4566	#8395	JAN/2000
P11A-H	TREBLE	#4566	#8393	
P10A-H	MID	#4566	#8393	
P12A-H	BASS	#4566	#8393	
P14A-H	MONITOR	#4567	#8394	
P13A-H	GAIN	#4567	#8392	
P7	MAIN	#4566	#8392	
P8	MONITOR	#4566	#8394	
P9	EFX-MAIN	#4568	#8395	
P10	EFX-MONITOR	#4568	#8395	
P11/P12	EFX/MODIFY	#4581	#8397	
P13-P26	EQ	#3999		

M1112.PCB POT LIST

REF	FUNCTION	PART#	KNOB	AS OF
P15A-H	EFX	#4566	#8395	JAN/2000
P11A-H	TREBLE	#4566	#8393	
P10A-H	MID	#4566	#8393	
P12A-H	BASS	#4566	#8393	
P14A-H	MONITOR	#4567	#8394	
P13A-H	GAIN	#4567	#8392	
P7	MAIN	#4566	#8392	
P8	MONITOR	#4566	#8394	
P9	EFX-MAIN	#4568	#8395	
P10	EFX-MONITOR	#4568	#8395	
P11/P12	EFX/MODIFY	#4581	#8397	
P13-P26	EQ	#3999		

BOARD-ASSEMBLY

ROTARY ENCODERS
BLANK SIZE=18.375"X9.250"

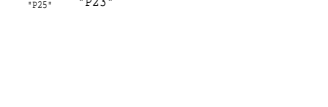
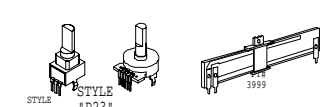
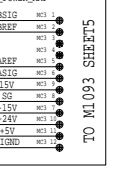


M112.SCH_DATABASE_HISTORY			M112.PCB_POT_LIST							
#	DATE	VER#	MP-8DX	#	REF	MP-8DX	FUNCTION	PART#	QTY	AS OF
1	1/8/01	1.00	NEW	1	R125A	EFXMON+	EFX MONITOR	R125A	1	NEW
2	1/8/01	1.00	ADD_PPT_LIST	2	R125A	EFXMON+	EFX MONITOR	R125A	1	NEW
3	1/8/01	1.00	PCB3301	3	R125A	EFXMON+	EFX MONITOR	R125A	1	NEW
4	1/8/01	1.40	PCB3301	4	R125A	EFXMON+	EFX MONITOR	R125A	1	NEW
5	1/8/01	1.40	PCB3301	5	R125A	EFXMON+	EFX MONITOR	R125A	1	NEW
6	1/8/01	1.40	PCB3301	6	R125A	EFXMON+	EFX MONITOR	R125A	1	NEW
7	1/8/01	1.40	PCB3301	7	R125A	EFXMON+	EFX MONITOR	R125A	1	NEW
8	1/8/01	1.40	PCB3301	8	R125A	EFXMON+	EFX MONITOR	R125A	1	NEW
9	1/8/01	1.40	PCB3301	9	R125A	EFXMON+	EFX MONITOR	R125A	1	NEW
10	1/8/01	1.40	PCB3301	10	R125A	EFXMON+	EFX MONITOR	R125A	1	NEW

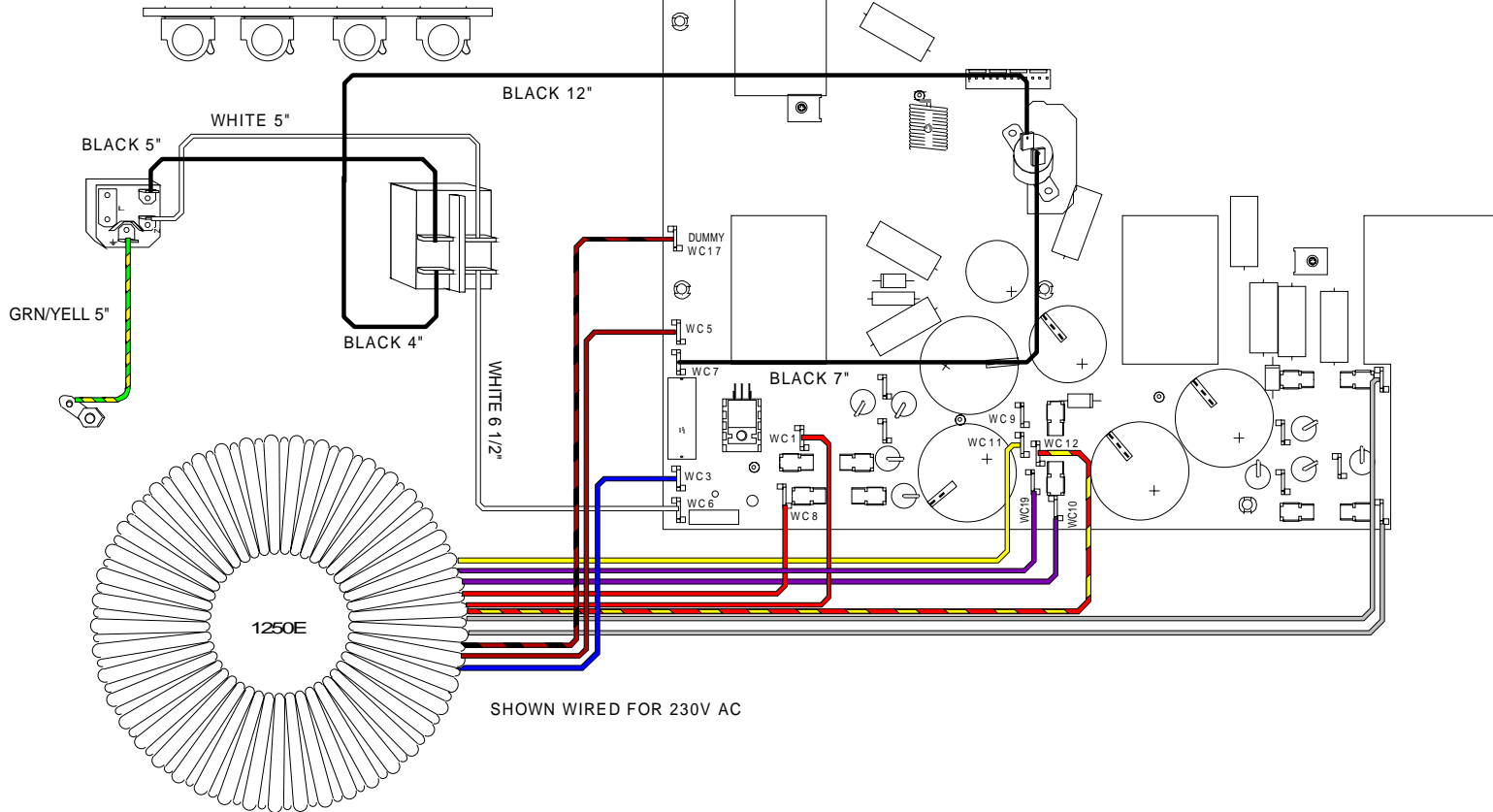
TO DIGITAL EFFECTS

ALL UNMARKED DIODES ARE 1N4148

ONE PAIR OF BYPASS CAPS ARE LOCATED WITH EACH I.C.

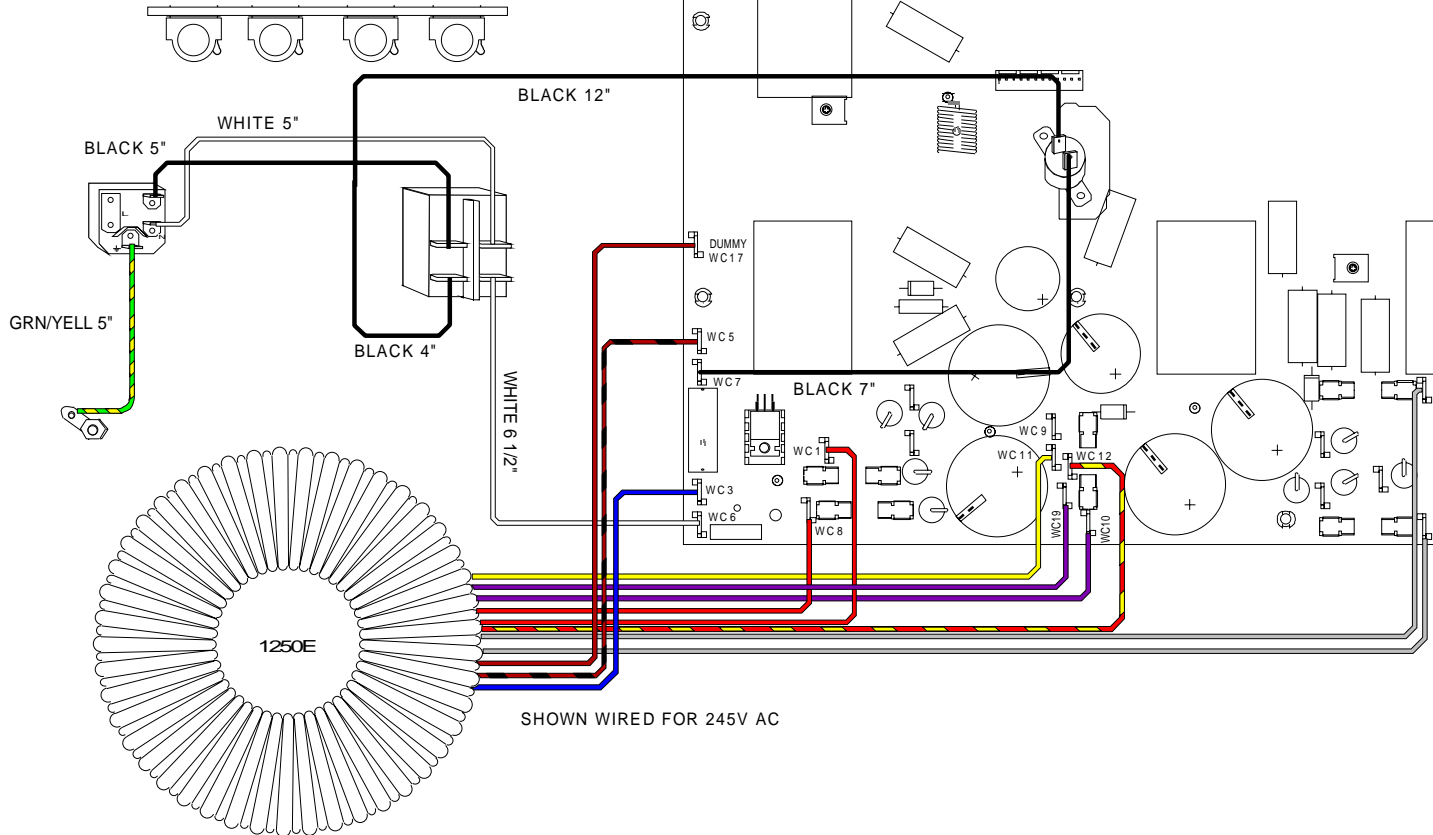


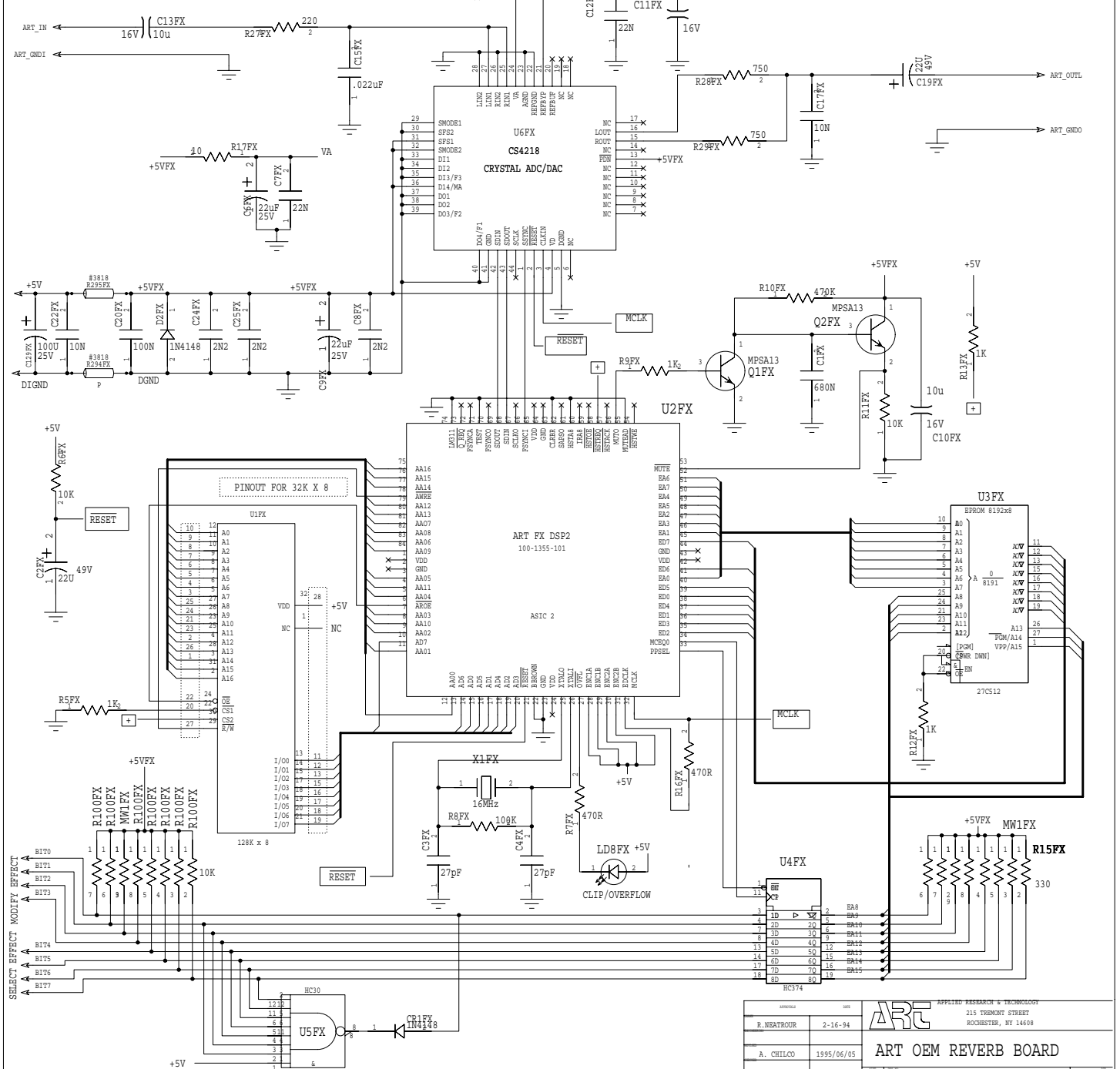
MP-8DXCE AC WIRING
FEB. 12, 1999



SHOWN WIRED FOR 230V AC

MP-8DXCE AC WIRING
FEB. 12, 1999





R. NEATROUR 2-16-94		ART APPLIED RESEARCH & TECHNOLOGY 215 TREMONT STREET ROCHESTER, NY 14608	
A. CHILOO 1995/06/05		ART OEM REVERB BOARD	
		400-4001-100	
12-1-94		M1092-FX 4 OF 4	