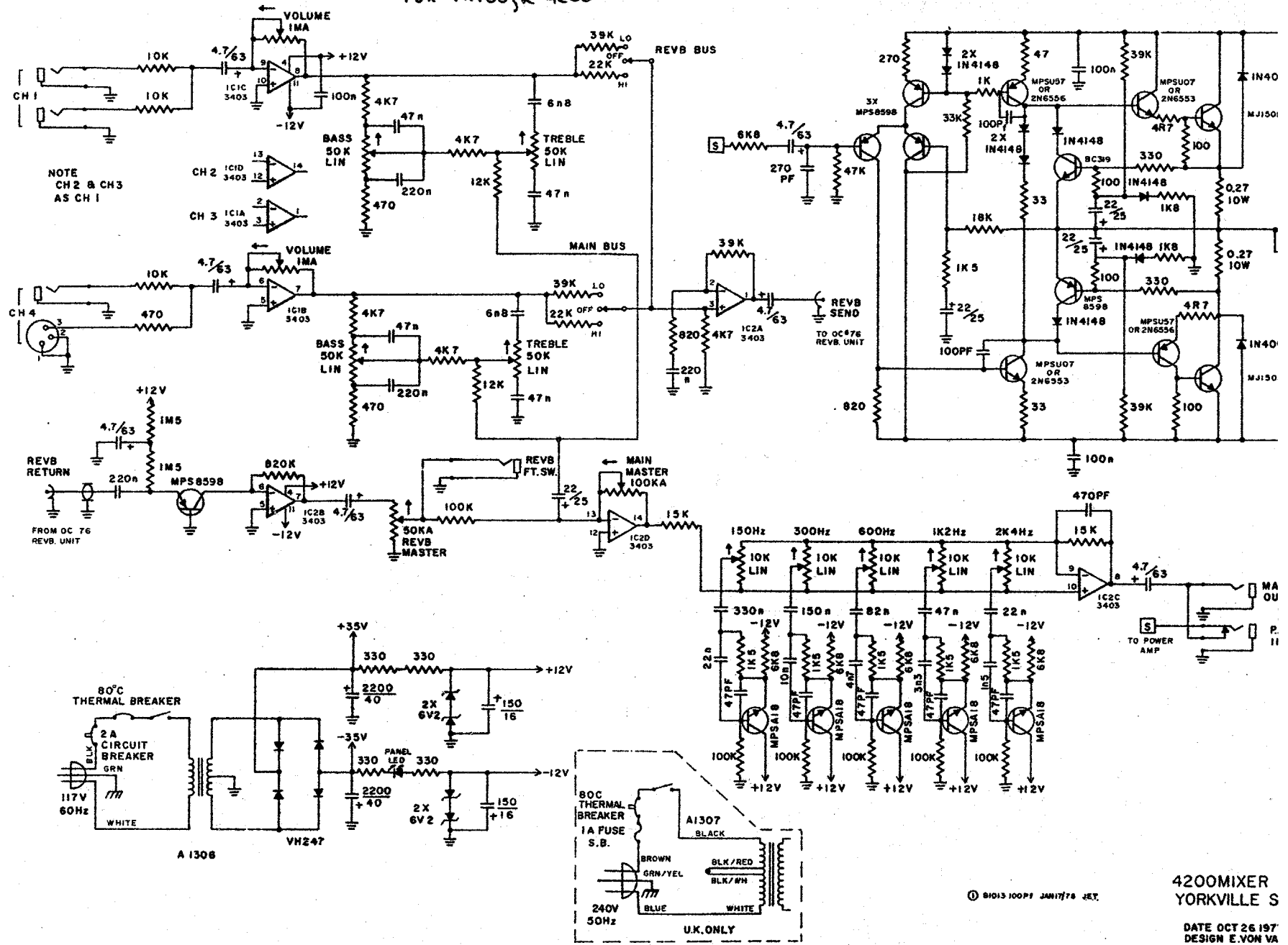


range 10K input resistor to 100K so refer to 4200



© SIG13 100PF JAN1178 JET.

4200MIXER
YORKVILLE S

DATE OCT 26 197
DESIGN E.VON VA
J. O'CONNOR
DWG J.E.TARSEY
CHECKED-100