



# ***SERVICE MANUAL***

---

## ***Maxim 1000***

**WEB ACCESS:** <http://www.yorkville.com>

### **WORLD HEADQUARTERS CANADA**

**Yorkville Sound**  
550 Granite Court  
Pickering, Ontario  
L1W-3Y8 CANADA

Voice: (905) 837-8481  
Fax: (905) 837-8746

### **U.S.A.**

**Yorkville Sound Inc.**  
4625 Witmer Industrial Estate  
Niagara Falls, New York  
14305 USA

Voice: (716) 297-2920  
Fax: (716) 297-3689



**Quality and Innovation Since 1963**  
Printed in Canada

**SPECIFICATIONS: MAXIM 1000**

FREQUENCY RESPONSE.....55Hz TO 19KHz +/-3dB  
 (with P1000 PROCESSOR)

LOW FREQUENCY LIMIT.....45Hz  
 (as above)

SENSITIVITY.....105dB ( 1 WATT @ 1 METRE)

MAX. CONTINUOUS S.P.L.....132dB

PROGRAM POWER CAPACITY.....1000 WATTS

NOMINAL IMPEDANCE.....4 OHMS

DRIVER.....15" DIA. 8-OHMS X2  
 500 WATTS PGM

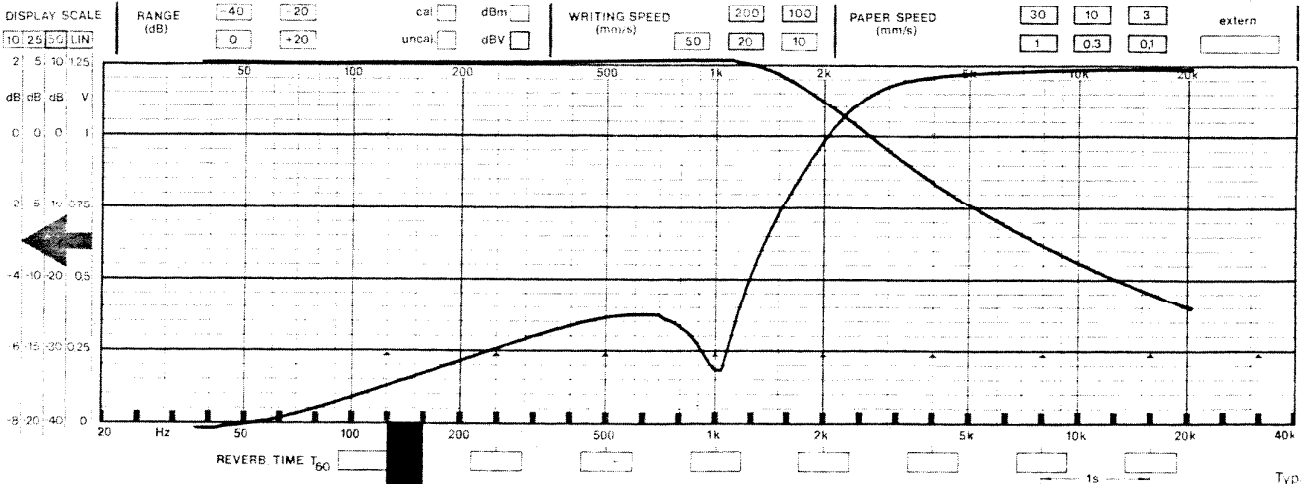
HORN/DRIVER.....H3709/RCF N481

CROSSOVER.....2.5KHz @ 18dB/OCTAVE

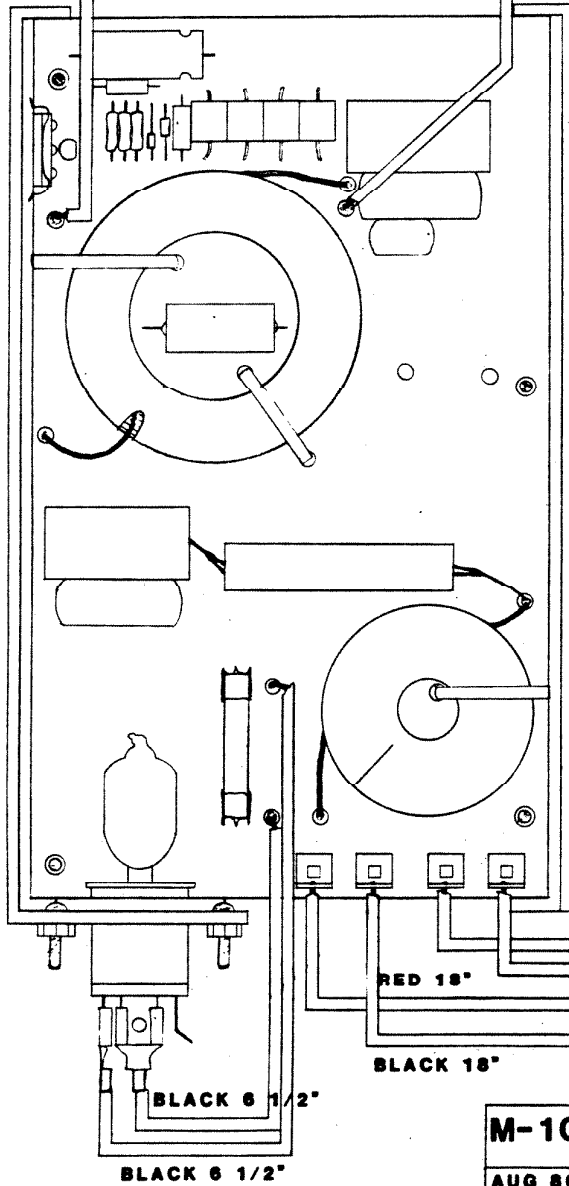
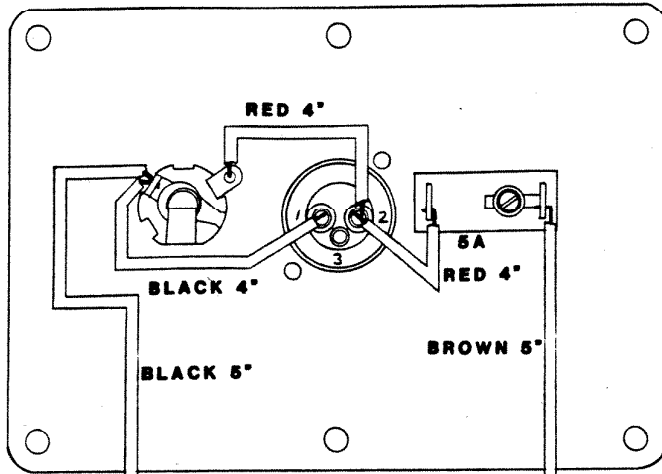
ENCLOSURE.....DUAL VENT RELEX

DIMENSIONS.....100CM X 68CM X 46CM  
 (39" X 26.5" X 18")

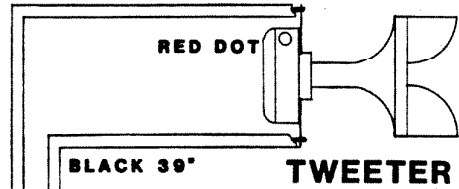
WEIGHT.....70Kg (154 lbs)



**REAR VIEW**

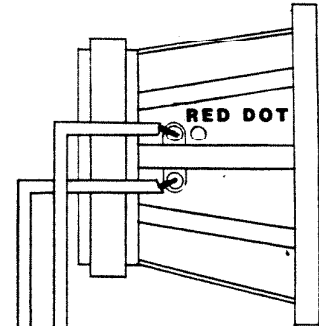


**YELLOW 39"**



**BLACK 39"**

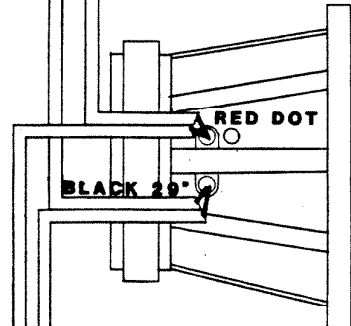
**TWEETER**



**RED DOT**

**TOP WOOFER**

**RED 29"**



**RED DOT**

**BLACK 29"**

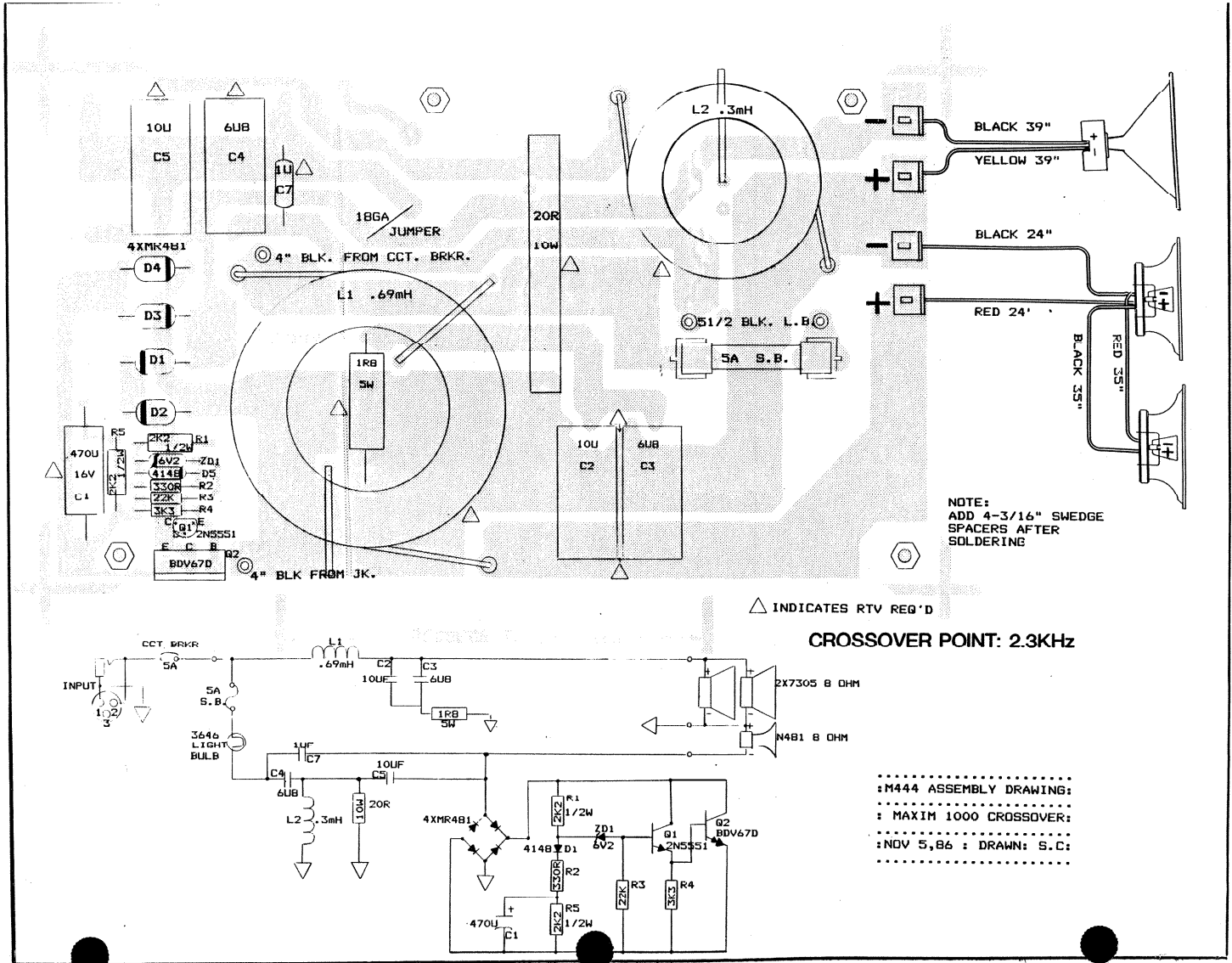
**BOTTOM WOOFER**

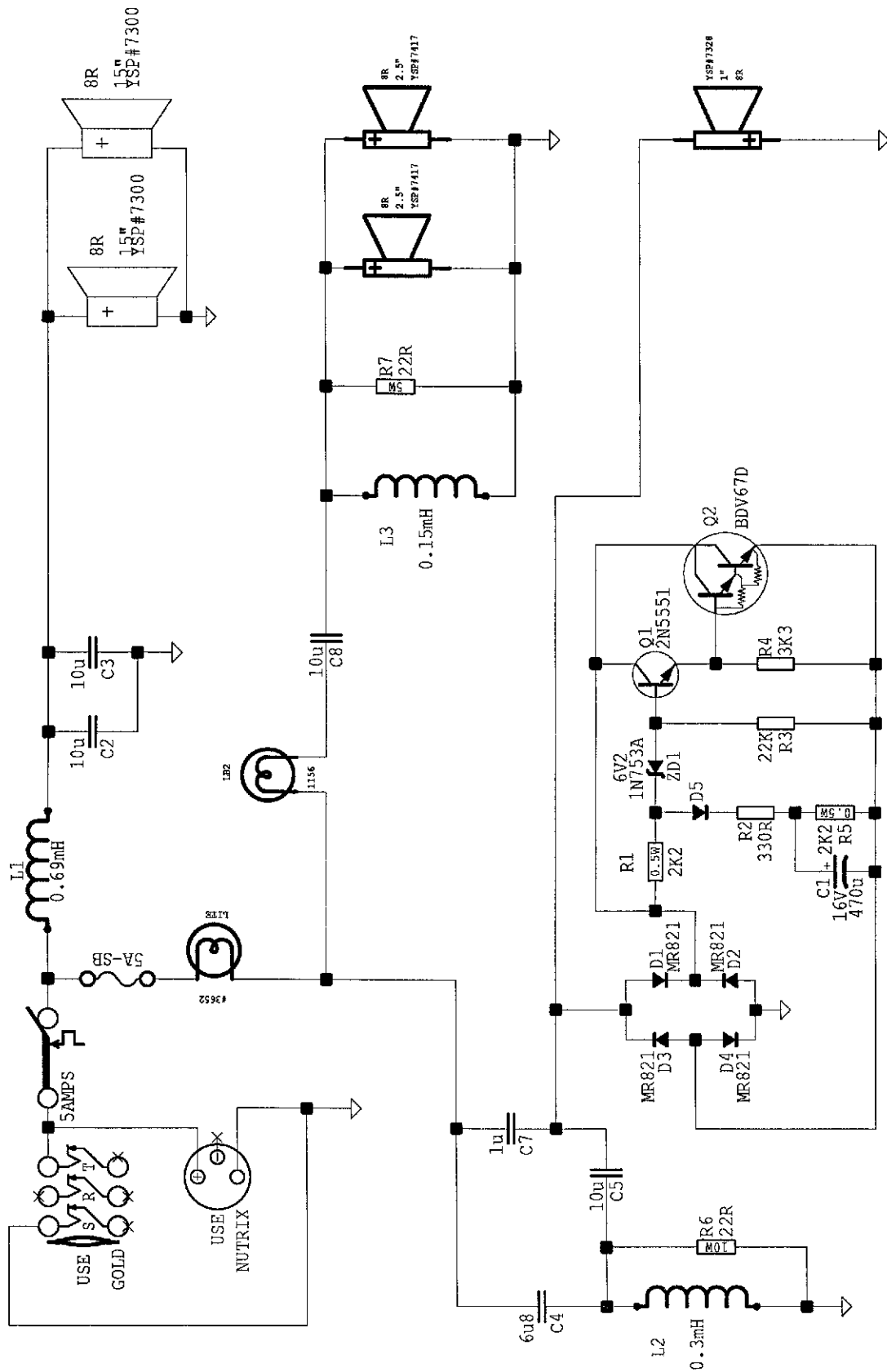
**M-1000 HOOK-UP DRAWING**

**AUG 86**

**DESIGN: J.KRAMPERA**

**DRAWN: K.ATOUT**



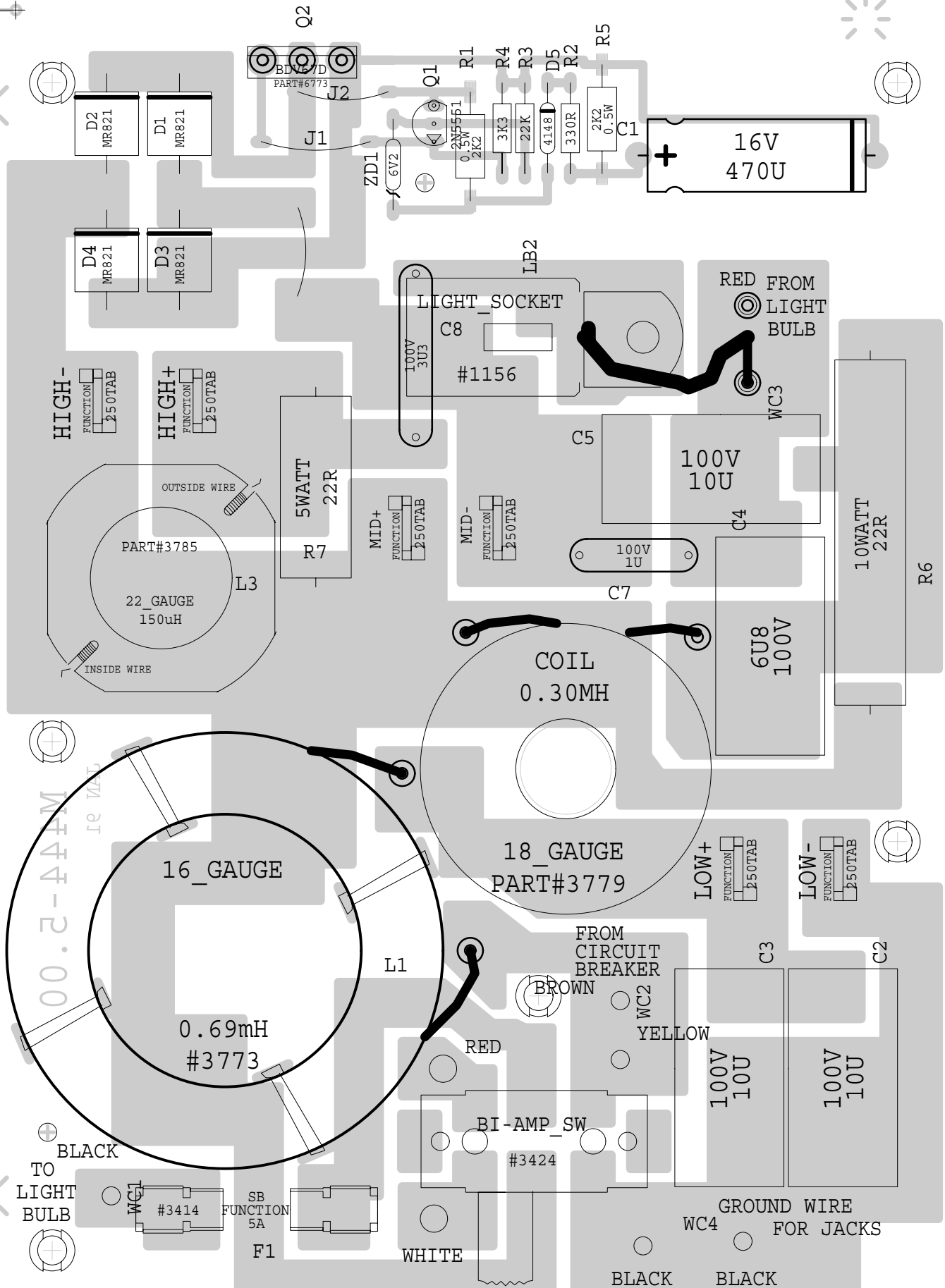
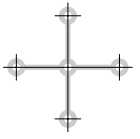


YORKVILLE SOUND LTD. 80 MIDWEST RD. FOR MODEL (S): MAXIM-1000_CROSSOVER		PCB#: M444
SCARBOROUGH, ONTARIO CANADA M1P 4R2		VER: 4.2
CAD FILE NAME: C:\PCAD\EXE\C\MX1000	DESIGN BY: H. GLEN	TITLE:
	DRAWN BY: H. GLEN	DATE: JAN/10/91

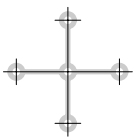
SHEAR



SHEAR



SHEAR



ASSEMBLY M444-5.00  
 PCB MECH M444-5.00

SHEAR



