



# BASSMAN 25

p/n 022-4501-000 (120V)

# SERVICE MANUAL



## **CONTENTS:**

- Notices
- Specifications
- Parts lists:
  - PCB assembly
  - Chassis assembly
  - Cabinet assembly
  - end item
- Schematics/Drawings

# SERVICE MANUAL

JANUARY 2000

## IMPORTANT NOTICE:

The information contained herein is CONFIDENTIAL and PROPRIETARY to Fender Musical Instruments Corp. It is disclosed solely for use by qualified technicians for purposes of equipment maintenance and service. It is not to be disclosed to others without the expressed permission of Fender Musical Instruments Co. All specifications subject to change without notice.

For warranty repair service, only Fender specified part numbers are to be used. It is recommended they also be used for post-warranty maintenance and repair.

Parts marked with an asterisk (\*) indicate the required use of that specific part. This is necessary for RELIABILITY and SAFETY requirements. **DO NOT USE A SUBSTITUTE!**

A coded naming convention is used in the description of certain parts. The codes and what they mean are as follows:

### CAPACITOR CODES

CAP AE = Aluminum Electrolytic  
 CAP CA = Ceramic Axial  
 CAP CD = Ceramic Disk  
 CAP MPF = Metalized Polyester Film  
 CAP MY = Mylar  
 CAP PFF = Polyester Film/Foil

### RESISTOR CODES

RES CC = Carbon Comp  
 RES CF = Carbon Film  
 RES FP = Flame Proof  
 RES MF = Metal Film  
 RES WW = Wire Wound

### HARDWARE CODES

BLX = Black Oxide  
 CR = Chrome Plated  
 HWH = Hex Washer Head  
 M = Machine Screw  
 NI = Nickel Plated  
 OHP = Oval Head Phillips  
 PB = Particle Board  
 PHP = Pan Head Phillips  
 PHPS = Pan Head Phillips Sems  
 SMA = Sheet Metal "A" Point  
 SMB = Sheet Metal "B" Point  
 SS = Stainless Steel  
 TF = Thread Forming  
 ZI = Zinc Plated

## BASSMAN 25

# SPECIFICATIONS

<b>Product Release No.:</b>	PR 422 <i>(This is not a model number)</i>	
<b>Part Number:</b>	120V Version :	22-4501
	240V Aus :	22-4531
	230V UK :	22-4541
	230V Eur :	22-4561
	100V :	22-4571
<b>Power Requirements:</b>	100V Version :	100 VAC 50/60 Hz, 75W
	120V :	120 VAC 60 Hz, 75W
	230V :	230 VAC 50 Hz, 75W
	240V :	240 VAC 50 Hz, 75W
<b>Power Amp Section</b>		
<b>Power Output:</b>	25 Watts RMS into 8 $\Omega$ @ < 5% THD	
<b>Sensitivity:</b>	2V RMS	
<b>Preamp Section</b>		
<b>Input impedance:</b>	Input 1: 34k $\Omega$	Input 2: 68k $\Omega$
<b>Sensitivity For Full Power:</b>	Input 1: 250mV	Input 2: 500mV
<b>Nominal Level:</b>	Input 1: 50mV	Input 2: 100mV
<b>Tone Controls:</b>	Treble: +/-15 dB @ 8 kHz Mid: +/-15 dB @ 1.5 Hz Bass: +/- 15 dB @ 80 Hz	
<b>Effects Loop: Send Impedance:</b>	1k $\Omega$	
<b>Return Impedance:</b>	44k $\Omega$	
<b>Nominal Level:</b>	0dBu	
<b>Speaker :</b>	Fender special design 8 $\Omega$ , 10" (p/n 0038657000)	
<b>Dimensions:</b>	Height: 16.5"	(41.9 cm)
	Width: 15"	(38.1 cm)
	Depth: 15"	(38.1 cm)
<b>Weight:</b>	33 lbs.	(15 kg)

*Product specifications are subject to change without notice*

# BASSMAN 25

## PARTS LIST

**NOTE: SHADED ITEMS ARE FOR REFERENCE ONLY**

### PRINTED CIRCUIT BOARD ASSEMBLY

QTY	PART #	DESCRIPTION	REFERENCE DESIGNATION
2	0048451000	BUTTON PUSH OFF WHITE	@ S1, S2
1	0040987000	CABLE RIBBON 10 CKT 3.75"	PW13
1	0028463003	CAP AE RDL 10uF 50V 20%	C16
8	0028459003	CAP AE RDL 2.2uF 50V 20%	C30-32 C35-36 C44 C68 C73
2	0033607000	CAP AE RDL 2200uF 35V 20%	C39 C60
1	0028482003	CAP AE RDL 220uF 50V 20%	C20
13	0028467003	CAP AE RDL 22uF 50V 20%	C1-3 C6 C15 C27-28 C33-34 C42 C48-49 C63
4	0028471003	CAP AE RDL 47uF 50V 20%	C11-13 C21
1	0051457003	CAP CD 100pF 500V 5%	C52
4	0051405003	CAP CD 120pF 500V 5%	C43 C45 C54 C56
1	0051960003	CAP CD 180pF 500V 10%	C51
2	0051445003	CAP CD 22pF 500V 5%	C55 C66
1	0020867003	CAP CD 330pF 1000V 10%	C53
2	0051413003	CAP CD 33pF 500V 5%	C14 C22
1	0051407003	CAP CD 390pF 500V 10%	C76
1	0051408003	CAP CD 47pF 500V 5%	C65
2	0051459003	CAP CD 560pF 500V 10%	C72 C75
18	0034788003	CAP CR .1uF 50V 20% .2" LS	C5 C7-8 C19 C23 C26 C29 C37-38 C40-41 C47 C50 C57-59 C69 C71
1	0027255003	CAP MPF .001uF 100V 10%	C24
1	0027259003	CAP MPF .0033uF 100V 10%	C61
1	0027262003	CAP MPF .0068uF 100V 10%	C70
1	0027267003	CAP MPF .022uF 100V 10%	C25
1	0027272003	CAP MPF .047uF 63V 10%	C64
1	0052003003	CAP MPF .1uF 250V 10%	C74
1	0053860000	CAP MPF .1uF 250VAC 20%	C9
3	0027278003	CAP MPF .1uF 63V 10%	C4 C17-18
2	0027281003	CAP MPF .22uF 63V 10%	C46 C67
1	0027286003	CAP MPF .47uF 63V 10%	C62
2	0038658000	CONTROL SNAPIN 50k 30C	R95, R101 (volume, aux. level)
3	0038655000	CONTROL SNAPIN 50k B DETENT	R98-100 (bass, mid, treble)
6	0064089001	DIODE 1N4003 LL	D2-3 D12-15
8	0006260001	DIODE 1N4448 SIGNAL	D1 D4-10
1	0027329001	DIODE ZEN 1N5228B 3.9V 5% LL	D11
3	0026000001	FASTON TAB, .187"	P4 P7 P10
10	0025802000	FSTN TAB MALE .250x.032 PCB MT	P1-3 P5-6 P8-9 P11-12 P14
2	0020775000	FUSE CLIP PCB 5mm	At F1
1	0027419000	HDR .1 CTR 10 CKT SQ PIN	P13
1	0054374000	HEATSINK PLATE TDA1514UA	HS1
6	0016795000	IC OP-AMP DUAL TL072	U3 U5-6 U8-10
1	0027404000	IC OTA CA3080AE	U7
1	0054377000	IC POWER AMP TDA1514A 40W	U1
1	0013562000	IC REGULATOR +15V MC7815CT	U4
1	0013564000	IC REGULATOR -15V MC7915CT	U2
1	0054378000	INSULATOR MICA 9 PIN SIP	At U1

# BASSMAN 25

## PARTS LIST

### PRINTED CIRCUIT BOARD ASSEMBLY (CONT)

QTY	PART #	DESCRIPTION	REFERENCE DESIGNATION
3	0051658000	JACK MONO R/A	J1 J7-8
1	0025933000	JACK RCA DUAL HORIZ PC MNT	J6
4	0053450000	JACK STEREO R/A	J2-5
1	0055595000	JACK STEREO R/A w/SL SHUNT	J9
2	0049948000	LED, RED LONG LEAD LUMEX	D16-17
1	0055619000	PCB FAB BASSMAN 25	
1	0027869001	RES CF 1/2W 5% 470ohm LL	R107
1	0030737001	RES CF 1/2W 5% 5.6ohm LL	R18
15	0024997001	RES CF 1/4W 5% 100k LL	R7-8 R17 R20 R22 R32 R41 R50 R52 R73 R75-76 R88 R92 R105
1	0024952001	RES CF 1/4W 5% 100ohm LL	R57
19	0024981001	RES CF 1/4W 5% 10k LL	R9 R12-16 R30 R43 R45 R53-56 R60-63 R65 R68
1	0024937001	RES CF 1/4W 5% 10ohm LL	R64
1	0024998001	RES CF 1/4W 5% 120k LL	R70
2	0024999001	RES CF 1/4W 5% 150k LL	R69 R94
1	0024985001	RES CF 1/4W 5% 15k LL	R40
12	0024965001	RES CF 1/4W 5% 1k LL	R11 R19 R21 R28 R39 R49 R51 R72 R74 R79 R82 R103
4	0025069001	RES CF 1/4W 5% 1M LL	R44 R71 R102 R104
4	0024971001	RES CF 1/4W 5% 2.2k LL	R78 R84 R87 R90
1	0025059001	RES CF 1/4W 5% 220k LL	R106
1	0024956001	RES CF 1/4W 5% 220ohm LL	R83
5	0024987001	RES CF 1/4W 5% 22k LL	R46-47 R58-59 R91
2	0024973001	RES CF 1/4W 5% 3.3k LL	R10 R31
1	0025077001	RES CF 1/4W 5% 3.3M LL	R96
1	0024975001	RES CF 1/4W 5% 3.9k LL	R29
2	0028016001	RES CF 1/4W 5% 300k LL	R66-67
1	0025061001	RES CF 1/4W 5% 330k LL	R97
6	0024989001	RES CF 1/4W 5% 33k LL	R3 R5 R23-24 R26 R48
2	0029472001	RES CF 1/4W 5% 4.3k LL	R81 R86
3	0024977001	RES CF 1/4W 5% 4.7k LL	R42 R85 R89
4	0028990001	RES CF 1/4W 5% 51k LL	R33-36
4	0024995001	RES CF 1/4W 5% 68k LL	R25 R27 R77 R80
1	0024996001	RES CF 1/4W 5% 82k LL	R93
4	0031895001	RES MOX 2W 300 ohm 5%	R1 R4 R37-38
1	0027628001	RES MOX 2W 5% 47ohm LL	R6
1	0029670000	RES WW BT 5W 10% 150ohm	R2
2	0027638000	SCRW TF 4-40x3/8 HWHS ZI	@ U1
2	0032908000	SCRW TF 6-32x3/8 PHP ZI	@ HS1
2	0036178000	SPACER LED .5x.1 BRN	@ D16-17
1	0038828000	SWITCH 4P2T ALT/ACT PC MOUNT	S2
1	0028091000	SWITCH PUSH SLFLK SHRT STRK	S1
1	0041465003	XSTR N-CH JFET J113 TO-92	Q1
1	0014408003	XSTR PNP DRLGTN MPSA63 TO-92	Q2

# BASSMAN 25

## PARTS LIST

### CHASSIS ASSEMBLY

QTY	PART #	DESCRIPTION	REFERENCE DESIGNATION
1	0055660000	CHASSIS BASSMAN 25	
1	0054642000	CONNECTOR IEC SNAP IN	
1	0020786000	FUSE QA 20mmx5mm 250v .500A	230V/240V
1	0048381000	FUSE QA 20mmX5mm 250V 1A CSA	100V/120V
1	0034885000	HEATSINK BAR RD/HT/JM/CHMP110	
5	0055776000	KNOB ROT W/ CH INS BASSMAN	
5	0033206000	BUSHING KNOB SPACER	
1	0055661000	PANEL FRONT BASSMAN 25	
1	0055662000	PANEL REAR BASSMAN 25	
1	0055620000	PCB ASSY DOM BASSMAN 25	
1	0055657000	PCB ASSY EXP BASSMAN 25	
4	0069393000	NUT 6-32 HEX EXT LOCK	@ Xfmr
8	0055838000	NUT PLASTIC REAN	@ Jacks
1	0051155000	SCRW SMB #4X3/8 PHP BLX	@ RCA Jack Assy
1	0038900000	SCRW TF 6-32X1/4 PHP ZI	@ Chassis Ground
2	0028500000	SCRW TF 8-32x3/4 HWH SLTD Z1	@ H.S. Bar
3	0051404000	STANDOFF NYLON BLK .375	
1	0025935000	SWITCH DPST .187 TAB (DOM)	Domestic & Export
1	0033613000	XFMR PWR 120v	
1	0040611000	XFMR PWR CHMP110/BXR25 230V	

### CABINET ASSEMBLY

QTY	PART #	DESCRIPTION	REFERENCE DESIGNATION
0.1	0040046000	CARPET BLACK	
2	0029071000	CORNER NOTCHED NICKLE (FD)	
8	0019276000	GLIDE CAB 1.24x.335 NI	
8	0019275000	INSERT GLIDE CUSHION 1.27 DIA	
1	0027846000	HANDLE 9.25" NO LOGO	
2	0025395000	HANDLE CAP 1 HOLE NI(DWG17420)	
1	0032524000	INSERT HANDLE	
6	0021972000	NUT T 10-32X3/4 STR 3 PRNG BLX	
2	0022244000	SCRW M 10-32x1-1/8 OHP NI	
4	0026571000	SCRW SMAB 8X5/8 THP NI	
6	0026625000	SCRW WOOD 8x1 FH	
0.01	0040149000	TAPE ALUM 5"X60YDS	
2	0053990000	TUBE CARDBD 2 1/8 ID X 1 5/8 L	
1.26	0051343000	VINYL TOLEX 4227A	

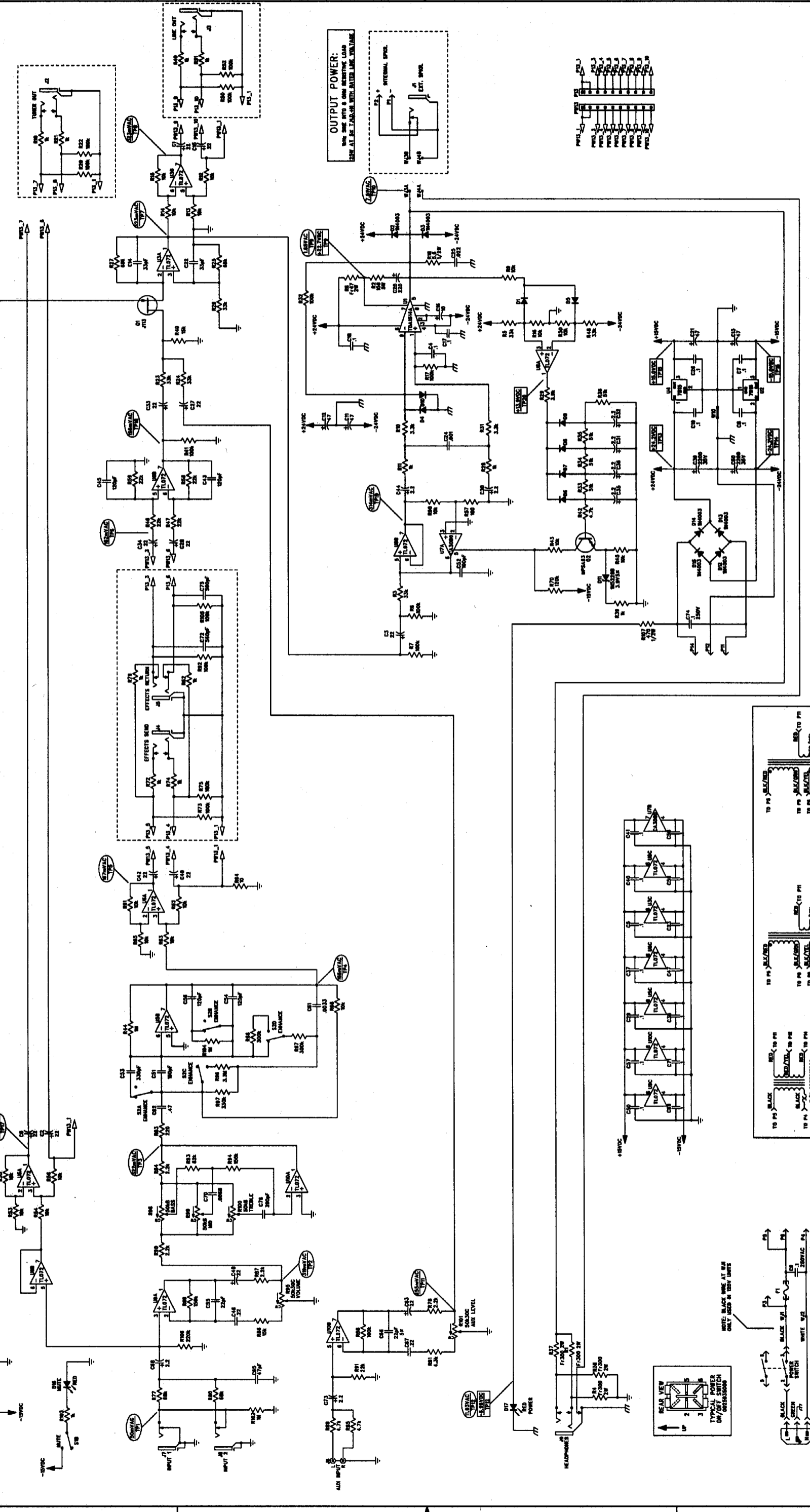
# BASSMAN 25

## PARTS LIST

### END ITEM ASSEMBLY

QTY	PART #	DESCRIPTION	REFERENCE DESIGNATION
1	0055359000	CABINET ASSEMBLY BASSMAN 25	
1	0055659000	CHASSIS ASSY BASSMAN 25 100V JAP	
1	0055655000	CHASSIS ASSY BASSMAN 25 120V	
1	0055656000	CHASSIS ASSY BASSMAN 25 230V EUR/UK	
1	0055658000	CHASSIS ASSY BASSMAN 25 240V AUS	
1	0047248000	CORD POWER W/ IEC CONN DOM	
1	0053997000	CORD PWR W/IEC CONN 100V JPN	
1	0047251000	CORD PWR W/IEC CONN 230V	
1	0047249000	CORD PWR W/IEC CONN 230V UK	
1	0047250000	CORD PWR W/IEC CONN 250V	Australia
1	0055727000	GRILLE BASSMAN 25	
1	0055731000	LOGO BADGE BASSMAN AMPS	
1	0050850000	NAMEPLATE VINTAGE PLASTIC SMAL	
1	0038657000	SPEAKER 10" 8 OHM	
2	0050311000	NUT 2-56 NYLON INSERT 2CNME-Z	@Nameplate
2	0050312000	SCRW 2-56X3/8 FHP NI	@Nameplate
4	0026577000	SCRW M 10-32x1 PHP BLX	@Speaker
4	0036199000	SCRW M 8-32x1-3/16 OHP BLX CP	@Chassis
8	0036112000	SCRW SMAB 6x1-1/4 OHP BLX w/WS	@Grille
4	0029527000	WSHR FNSH 8-5/8 FLNGD BLX WX	@Chassis

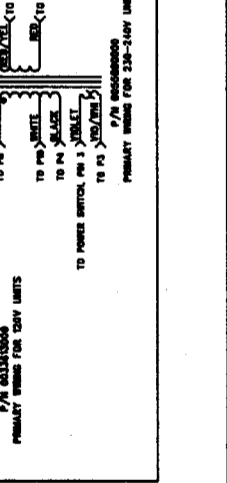
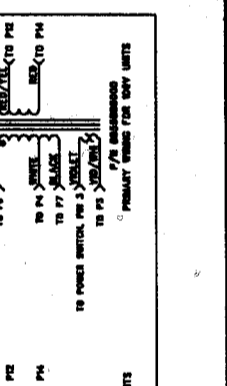
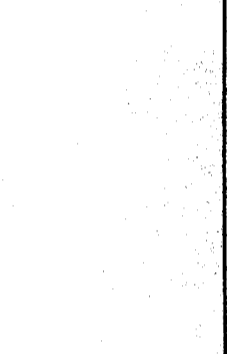
REV.	DESCRIPTION	DATE	APPROVED
A	PR422	30-JUL-99	R B H
B	EC 2360	15-OCT-99	R B H
C	EC 2454	28-FEB-00	R B H



**MUSICAL INSTRUMENTS**  
 2621 Research Drive  
 Corona, CA U. S. A.  
**TITLE: SERVICE DIAGRAM COMBINED (continued)**  
**BASSMAN 25**

THE DRAWING CONTAINS INFORMATION OF CONFIDENTIAL NATURE AND IS LOANED TO YOU BY INSTRUMENTS AND SHALL NOT BE REPRODUCED OR TRANSMITTED IN ANY FORM OR BY ANY MEANS, ELECTRONIC OR MECHANICAL, INCLUDING PHOTOCOPYING, RECORDING, OR BY ANY INFORMATION STORAGE AND RETRIEVAL SYSTEM.  
 CHECKED BY: [Signature]  
 DATE: 10-1-99  
 APPROVED BY: [Signature]  
 DATE: 10-1-99  
 DRAWING NUMBER: D 0055621000  
 SHEET: 1 OF 2

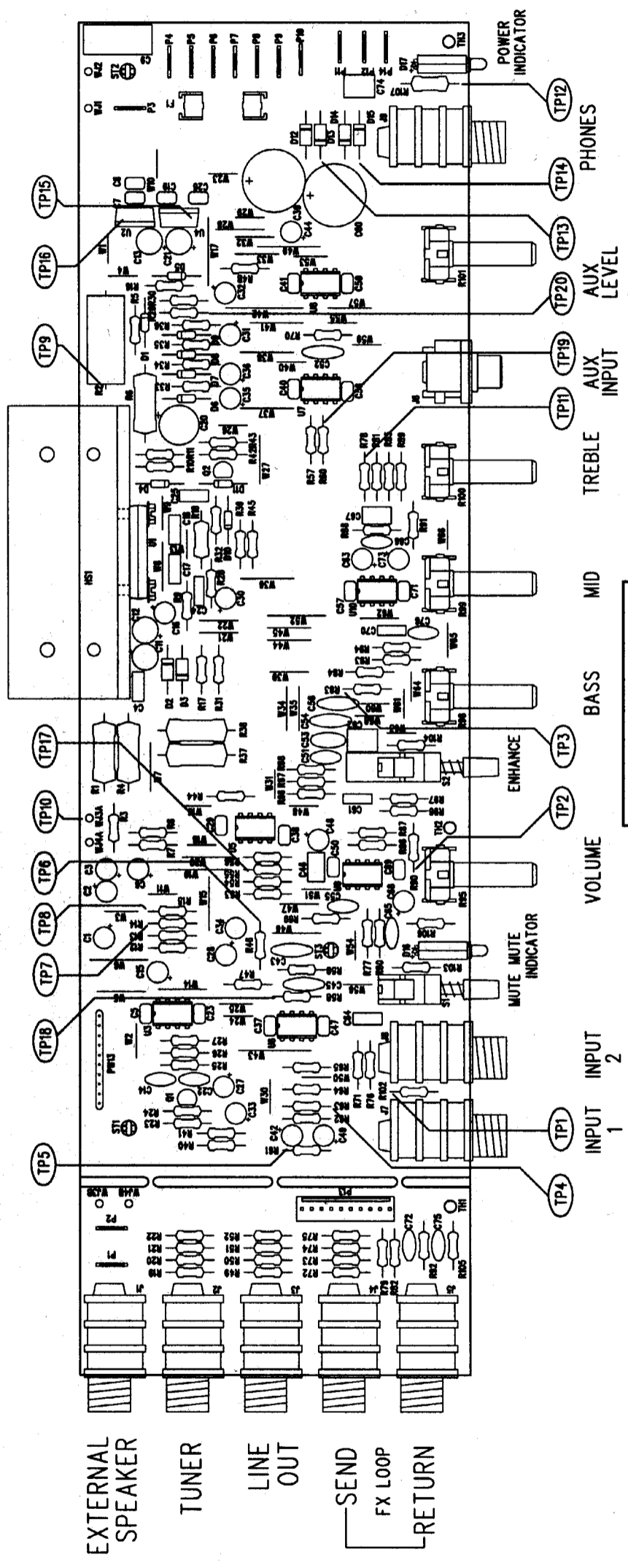
NOTES: (UNLESS OTHERWISE NOTED)  
 1. ALL RESISTORS ARE 1/4W.  
 2. ALL CAPACITORS ARE 50V UNLESS OTHERWISE NOTED.  
 3. ALL UNLabeled CAPACITORS ARE 100NF.  
 4. ALL UNLabeled RESISTORS ARE 1/4W.  
 5. ALL UNLabeled DIODES ARE 1N4148.  
 6. ALL UNLabeled TRANSISTORS ARE 2N3904.  
 7. ALL UNLabeled TUBES ARE 6X4.  
 8. ALL UNLabeled RELAYS ARE 12VDC.  
 9. ALL UNLabeled SWITCHES ARE 1/2A 125VAC.  
 10. ALL UNLabeled CONNECTORS ARE 1/8" DIA. JACKS.  
 11. ALL UNLabeled WIRE IS 22 AWG.  
 12. ALL UNLabeled SOLDER IS 60/40.  
 13. ALL UNLabeled LABELS ARE 1/8" X 1/4" STICKER.  
 14. ALL UNLabeled DIMENSIONS ARE IN INCHES.  
 15. ALL UNLabeled TOLERANCES ARE AS SHOWN.  
 16. ALL UNLabeled PARTS ARE TO BE OBTAINED FROM THE INSTRUMENTS PARTS DEPARTMENT.  
 17. ALL UNLabeled PARTS ARE TO BE OBTAINED FROM THE INSTRUMENTS PARTS DEPARTMENT.  
 18. ALL UNLabeled PARTS ARE TO BE OBTAINED FROM THE INSTRUMENTS PARTS DEPARTMENT.  
 19. ALL UNLabeled PARTS ARE TO BE OBTAINED FROM THE INSTRUMENTS PARTS DEPARTMENT.  
 20. ALL UNLabeled PARTS ARE TO BE OBTAINED FROM THE INSTRUMENTS PARTS DEPARTMENT.



ALL FASTON TAPS ARE .250" EXCEPT P4, P7, AND P10 WHICH ARE .187"



REVISIONS			
REV.	DESCRIPTION	DATE	APPROVED
A	PR422	30-JUL-99	R.B.H.
B	EC 2360	13-OCT-99	R.B.H.
C	EC 2454	28-FEB-00	R.B.H.



FILE/DIR: SERVICE DIAGRAM  
 DATABASE: 7422P.PCB DATE: 28-FEB-00

**MUSICAL INSTRUMENTS**  
 2621 Research Drive  
 Corona, CA U. S. A.

**THIS DOCUMENT CONTAINS INFORMATION OF A PROPRIETARY NATURE TO FENDER MUSICAL INSTRUMENTS AND IS LOANED TO YOU ON CONFIDENCE AND SHALL NOT BE REPRODUCED OR TRANSMITTED TO OTHER MUSICAL INSTRUMENTS, EITHER FROM FENDER MUSICAL INSTRUMENTS.**

CHECKED BY: *B. [Signature]*  
 DATE: 10-APR-00

APPROVED BY: *[Signature]*  
 DATE: 10-APR-00

ENGINEER: A. BASSMAN  
 DATE: 28-FEB-00

DATE: 10-APR-00  
 DRAWING NUMBER: 0055621000

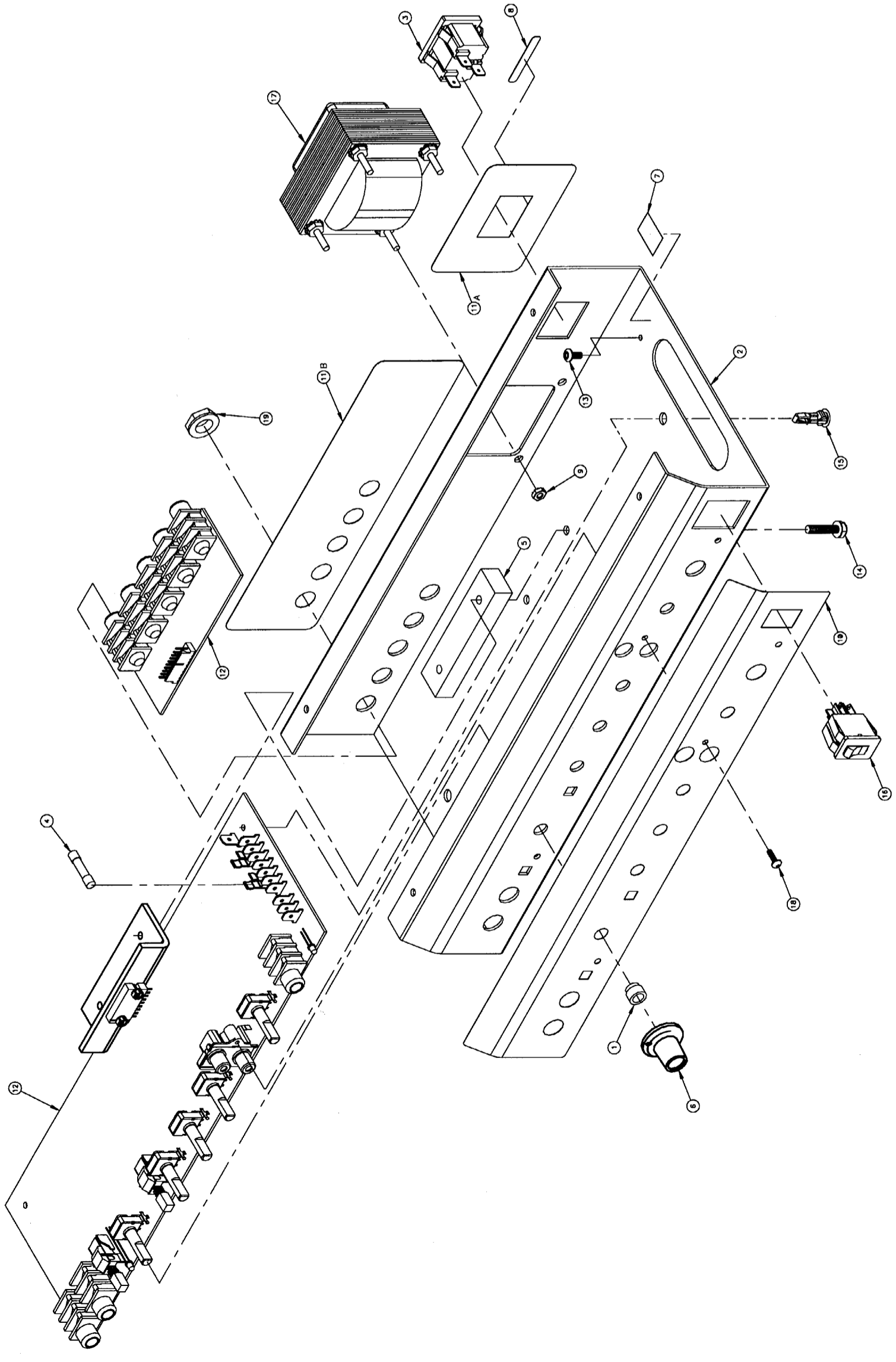
TITLE: SERVICE DIAGRAM, COMBINED (PCB assy)  
 BASSMAN 25

SIZE: C  
 SHEET: 2 OF 2

1. SEE SHEET 1 FOR PRIMARY WIRING, TEST CONDITIONS AND TESTPOINT VALUES.  
 NOTES: (UNLESS OTHERWISE NOTED)

THIS DOCUMENT CONTAINS PROPRIETARY INFORMATION OF A PROPRIETARY NATURE, TO FENDER MUSICAL INSTRUMENTS AND IS LOANED TO YOU UNDER THE AUTHORIZATION OF FENDER MUSICAL INSTRUMENTS CORP.

REV	IC NUMBER	DATE
A	PR 422	7/23/99
B	EC2560 CHICD PN 040611 MFD 0555800 040611 TD 0555800	10/8/99



(N.S.)=NOT SHOWN

20	1	0055667000	WIRESET CHASSIS BASSMAN 25 (N.S.)
19	8	0055638000	NUT PLASTIC REAR
18	1	0051155000	SCRW SMB #4X3/8 PHP BLX
17	1	SEE MATRIX	XFMR
16	1	0025935000	SWITCH DPST .187 TAB (DOM)
15	3	0051404000	STANDOFF NYLON BLK .375
14	2	0028500000	SCRW TF 8-32X3/4 HWH SLTD Z1
13	1	0058900000	SCRW TF 6-32X1/4 PHP Z1
12	1	SEE MATRIX	PCB ASSEMBLY BASSMAN 25
11	1	0055662000	PANEL REAR BASSMAN 25
10	1	0055661000	PANEL FRONT BASSMAN 25
9	4	0069393000	NUT 6-32 HEX EXT LOCK
8	1	SEE MATRIX	LABEL VOLTAGE
7	1	0013020000	LABEL GROUNDING SEMKO
6	5	0055776000	KNOB ROT W/ CH INS BASSMAN
5	1	0034685000	HEATSINK BAR RD/HT/JM/CHMP110
4	1	SEE MATRIX	FUSE
3	1	0054642000	CONNECTOR IEC SNAP IN
2	1	0055660000	CHASSIS BASSMAN 25
1	5	0033206000	BUSHING KNOB SPACER

ITEM QTY PART NO DESCRIPTION

ENGINEER HAACK

DRAWN COOLER

DATE 7/12/99

DFT. 7/12/99

DATE 10/8/99

DATE 10/8/99

DATE 10/8/99

DATE 10/8/99

DATE 10/8/99

DATE 10/8/99

TITLE CHASSIS ASSEMBLY

BASSMAN 25

DRAWING NUMBER 0055655000

REV. B

SHEET SIZE D

SCALE N/A

ASSEMBLY

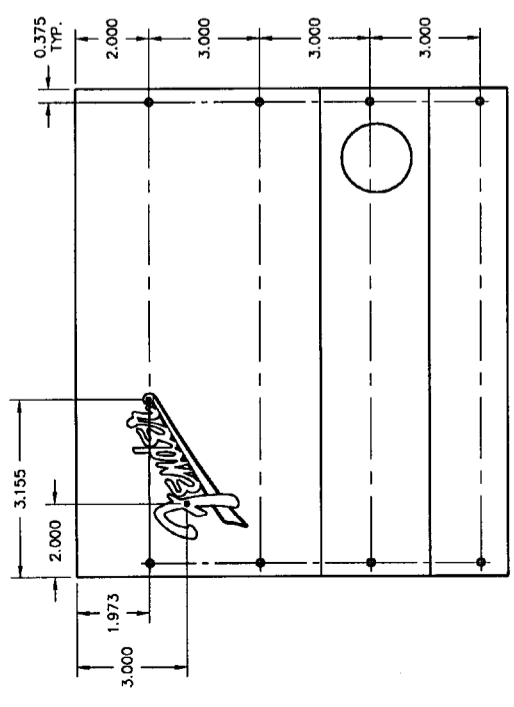
MATRIX

7	XFMR	0033613000	0055880000	0055880000	0055880000
8	PCB ASSY.	0055620000	0055657000	0055657000	0055657000
9	LABEL VOLTAGE	-	0050505000	0050505000	0050507000
4	FUSE	0048381000	0020786000	0020786000	0048381000
	CHASSIS ASSY.	BASSMAN 25 120V DOM. 240V AUST.	BASSMAN 25 240V AUST.	BASSMAN 25 100V JPN.	BASSMAN 25 100V JPN.
		0055655000	0055655000	0055655000	0055655000

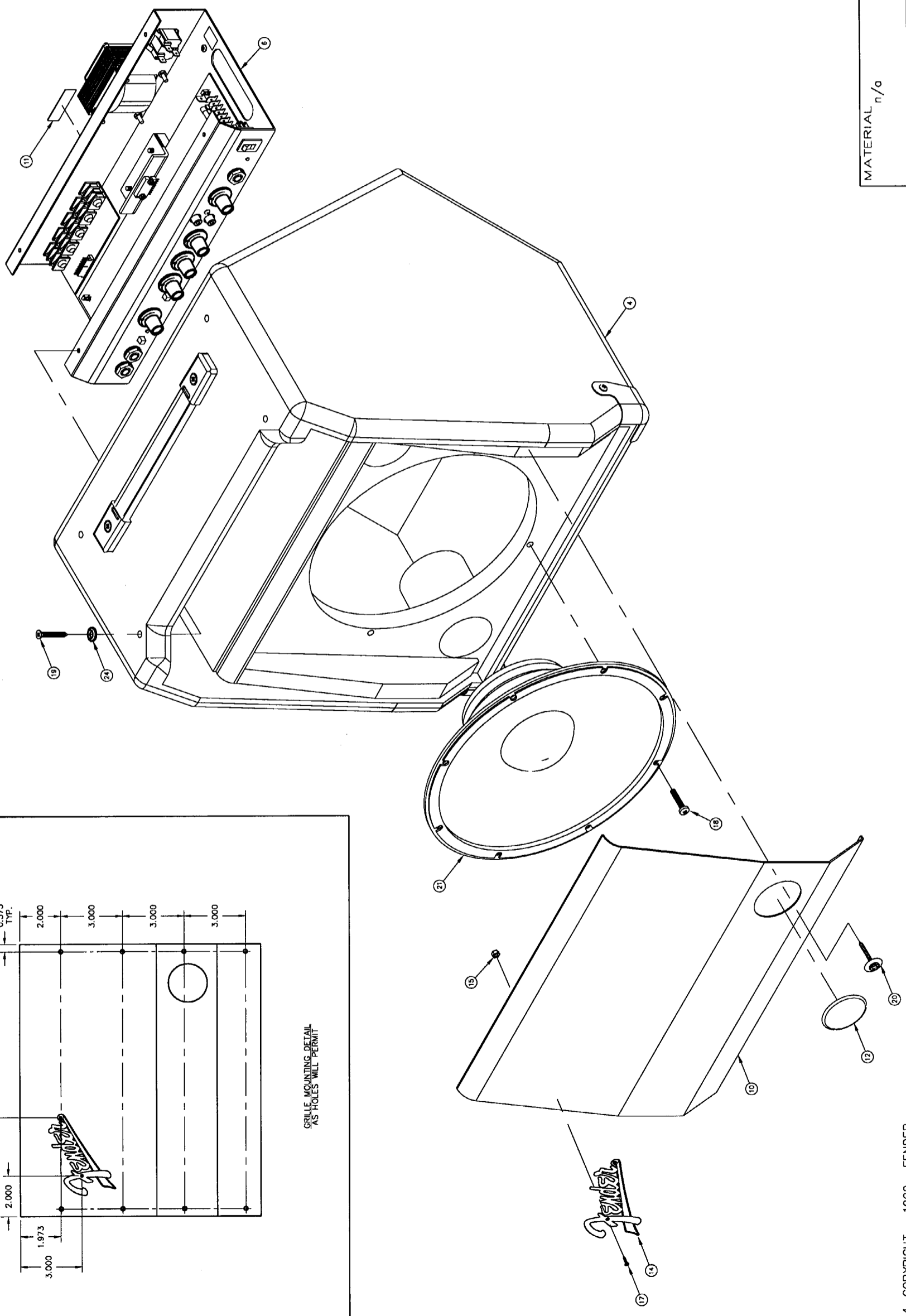
4. COPYRIGHT - 1999 - FENDER MUSICAL INSTRUMENTS CORP.
  3. - 3 - SAMPLES OF FIRST PARTS MUST BE APPROVED BY FENDER R&D BEFORE STARTING PRODUCTION.
  2. ALL DIMENSIONS ARE IN INCHES.
  1. DO NOT SCALE DRAWING.
- NOTES: UNLESS OTHERWISE NOTED



THIS DOCUMENT CONTAINS INFORMATION OF A PROPRIETARY NATURE. TO FENDER MUSICAL INSTRUMENTS CORP. IT IS TO BE KEPT CONFIDENTIAL AND NOT BE DISCLOSED OR TRANSMITTED TO OTHERS WITHOUT AUTHORIZATION FROM FENDER MUSICAL INSTRUMENTS CORP.



GRILLE MOUNTING DETAIL  
AS HOLES WILL PERMIT



4. COPYRIGHT - 1999 - FENDER MUSICAL INSTRUMENTS CORP. MUST BE APPROVED BY FENDER R&D BEFORE STARTING PRODUCTION.
2. ALL DIMENSIONS ARE IN INCHES. 1. DO NOT SCALE DRAWING. NOTES: UNLESS OTHERWISE NOTED
3. - 3- SAMPLES OF FIRST PARTS

MATERIAL	n/o
FINISH	n/o
TOL. UNLESS NOTED	
FRACT.	--- 1/32
.X	--- 0.050
XX	--- 0.010
ANGLES	--- 0.5 DEGREES
HOLE DIA.	--- +0.005 - 0.001
UNMARKED ANGLES	ARE 90 DEGREES.

23 TAG	0053412000	-	-	-	-	-	-	-	-
16 REGISTRATION CARD	0054387000	-	-	-	-	-	-	-	-
6 CORD	0047248000	0047251000	0047249000	0047250000	0053997000	0055658000	0055659000	0055660000	0055661000
6 CHASSIS ASSY.	0055655000	0055656000	0055657000	0055658000	0055659000	0055660000	0055661000	0055662000	0055663000
END ITEM	BASSMAN 25	BASSMAN 25	BASSMAN 25	BASSMAN 25	BASSMAN 25	BASSMAN 25	BASSMAN 25	BASSMAN 25	BASSMAN 25
	0224501000	0224502000	0224503000	0224504000	0224505000	0224506000	0224507000	0224508000	0224509000

ENGINEER	HAACK
DRAWN	COOLER
DATE	7/22/99
DET. ENGR.	ENG.
DATE	7/22/99

TITLE	END ITEM, BASSMAN 25
SHEET	1/1
SCALE	N/A
DRAWING NUMBER	0224501000
REV.	B

(N.S.)=NOT SHOWN

27 A/R	0055718000	FLEX FOAM PART "B" (N.S.)
26 A/R	0055717000	FLEX FOAM PART "A" (N.S.)
25 1	0055664000	WIRESET END ITEM BASSMAN 25 (N.S.)
24 4	0029527000	WSHR FN5H 8-5/8 FLNGO BLX WK
23 1	SEE MATRIX	TAG (N.S.)
22 1	0053454000	STICKER BUMPER FEND SINCE 1946 (N.S.)
21 1	0038657000	SPEAKER 10" 8 OHM
20 8	0036112000	SCRW SMAB 6x1-1/4 OHP BLX w/WS
19 4	0036199000	SCRW M 8-32x1-3/16 OHP BLX CP
18 4	0026577000	SCRW M 10-32x1 PHP BLX
17 2	0050312000	SCRW 2-56X3/8 FHP NI
16 1	SEE MATRIX	REGISTRATION CARD (N.S.)
15 2	0050310000	NUT 2-56 NYLON INSERT 2GNME-Z
14 1	0050850000	NAMEPLATE VINTAGE PLASTIC SML
13 1	0055663000	MANUAL OWNERS BASSMAN 25 (N.S.)
12 1	0055731000	LOGO BADGE BASSMAN AMPS
11 1	0029816000	LABEL SERIAL MEXICO
10 1	0055727000	GRILLE BASSMAN 25
9 A/R	0055719000	INSTAMATE PACK FILM (N.S.)
8 1	SEE MATRIX	CORD (N.S.)
7 1	0055621000	SVC DIAGRAM COMB BASSMAN 25 (N.S.)
6 1	SEE MATRIX	CHASSIS ASSY. BASSMAN 25
5 1	0055668000	CARTON BASSMAN 25 (N.S.)
4 1	0055359000	CABINET ASSEMBLY. BASSMAN 25
3 1	9903320000	BAG POLY ZIP 10x13 2M (N.S.)
2 1	0010032000	BAG POLY BOX BTM 23x17x40 .002 (N.S.)
1 1	9903314000	BAG JIFFY #1 7-1/4x12 (N.S.)

REV	BY	DATE
A	PR 422	8/2/99
B	PR 243, APP ITEM 26, 27 RELEASE 3	10/29/99
		CHG
		JR