

FENDER "BASSMAN" SCHEMATIC

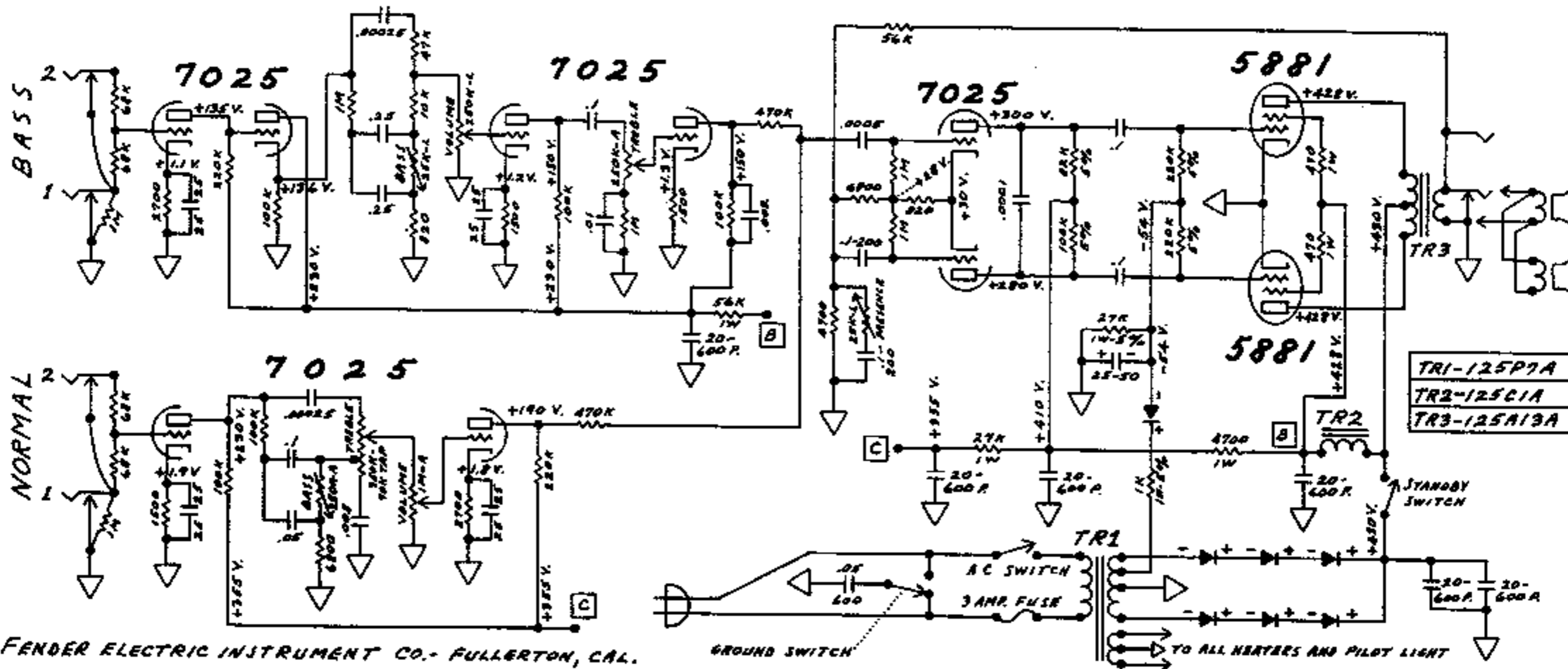
MODEL 6G6-B

E-FB

P/O

NOTE

- 1- VOLTAGES READ TO GROUND WITH ELECTRONIC VOLTMETER. VALUES SHOWN \pm OR - 20%
- 2- ALL RESISTORS $\frac{1}{2}$ WATT, 10% TOLERANCE IF NOT SPECIFIED.
- 3- ALL CAPACITORS AT LEAST 400 VOLT RATING IF NOT SPECIFIED.



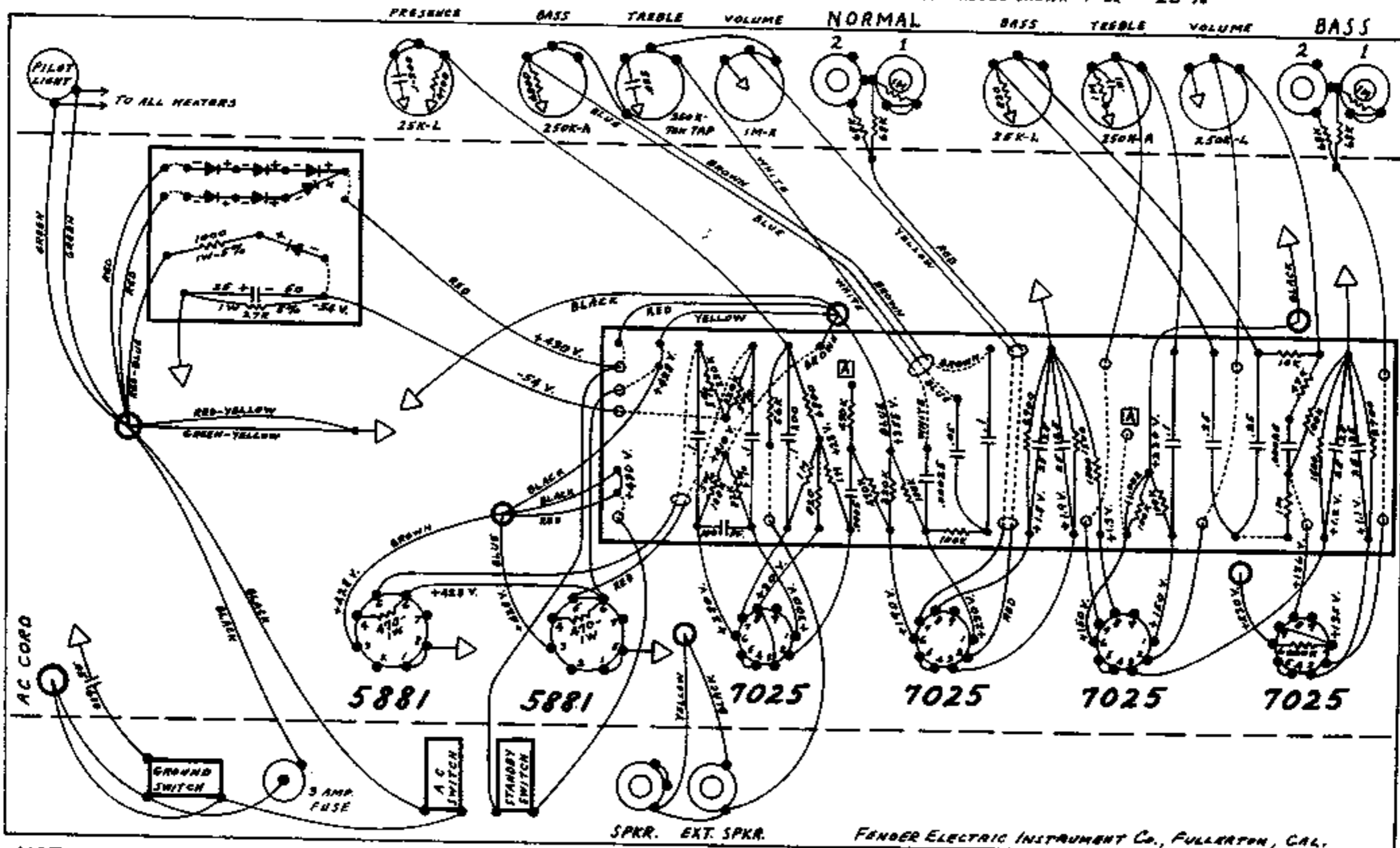
FENDER "BASSMAN" LAYOUT

MODEL 666-B

P/B
E-FB

NOTE

VOLTAGES READ TO GROUND WITH ELECTRONIC VOLTMETER. VALUES SHOWN + OR - 20%



NOTE - ALL RESISTORS 1/2W-10% TOLERANCE IF NOT SPECIFIED.

NOTE - ALL CAPACITORS AT LEAST 400 VOLT RATING IF NOT SPECIFIED.