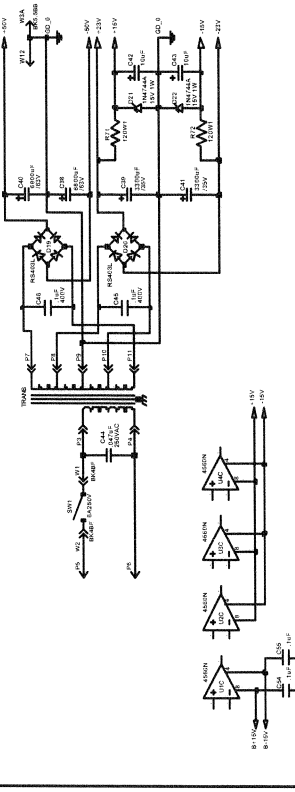
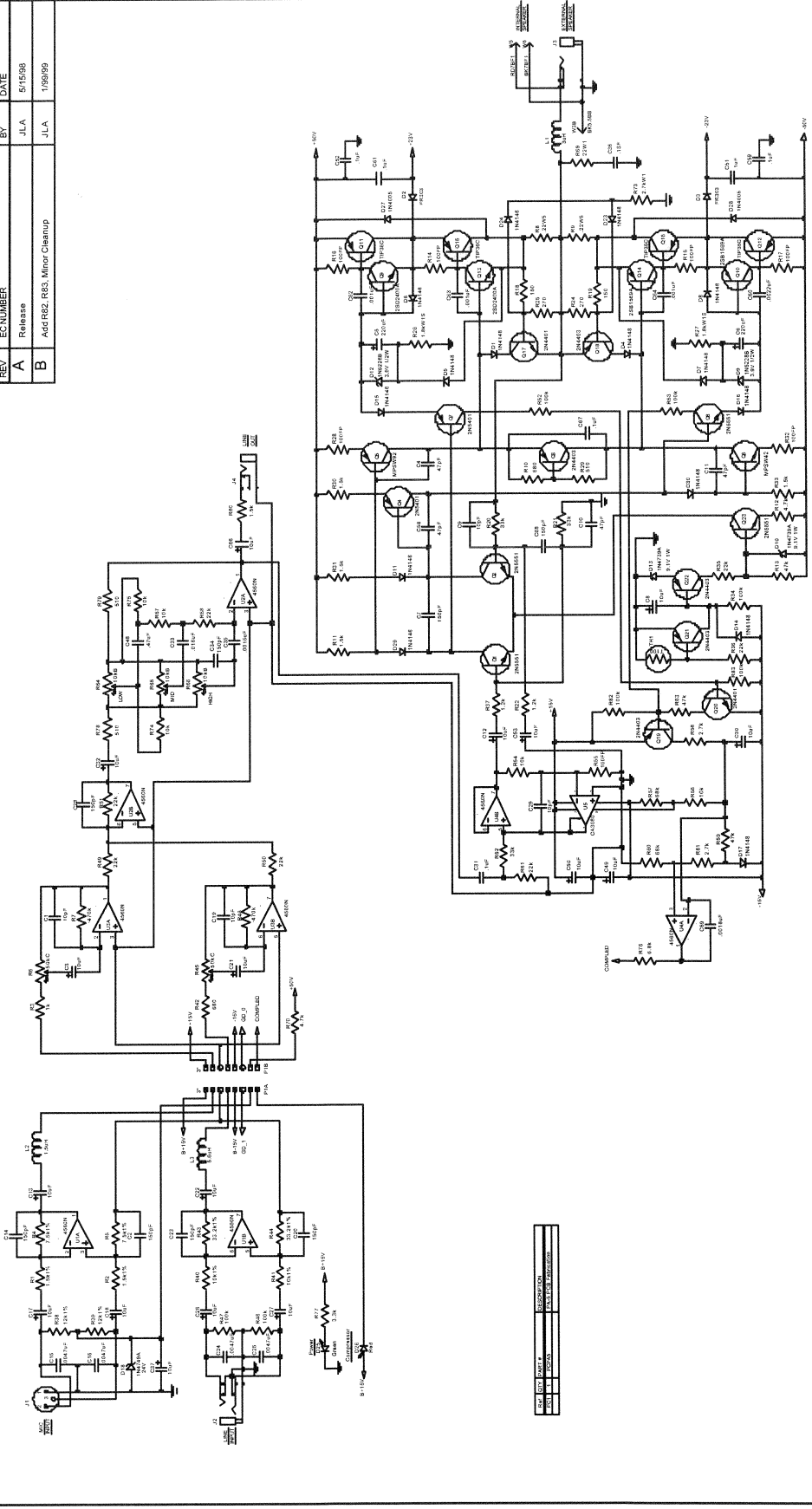


Opamp gain

GALAXY AUDIO PA III
 PAGE 1 OF 4
 PREAMP/MIXER

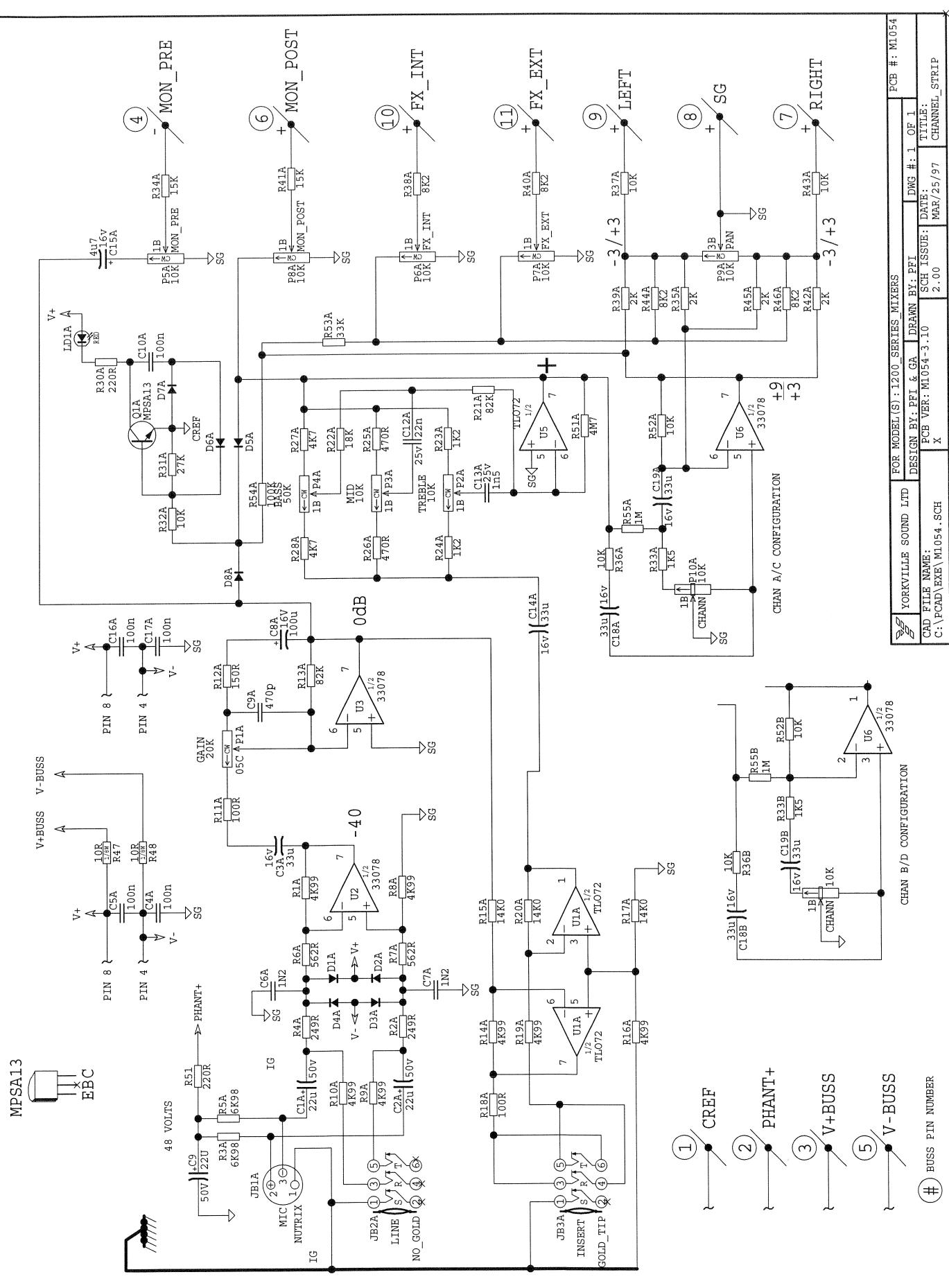
open gain

REV	EC NUMBER	BY	DATE
A	Release	J.L.A	5/15/98
B	Add R82, R83, Minor Cleanup	J.L.A	1/9/99



ENGINEER	J. Aubuchon
CHECKED BY:	J. Aubuchon
APPROVED BY:	J. Aubuchon
FILENAME:	Pa5p5PCC
TITLE	PA-V Hot Spot Schematic Diagram
SEE DRAWING NUMBER	SAHSPA5PCC
DATE	1-FEB-1999
SHEET	1 of 1
REV	B

Open gain (humble!)



YORKVILLE SOUND LTD	FOR MODEL(S): 1200_SERIES_MIXERS	PCB #: M1054
DESIGN BY: PFI & GA	DRAWN BY: PFI	DMG #: 1 OF 1
CAD FILE NAME: C:\PCAD\EXE\M1054.SCH	PCB VER: M1054-3.10	SCH ISSUE: DATE: MAR/25/97
		TITLE: CHANNEL_STRIP
		2.00

- ① CREF
- ② PHANT+
- ③ V+BUSS
- ⑤ V-BUSS
- ⑥ BUSS PIN NUMBER

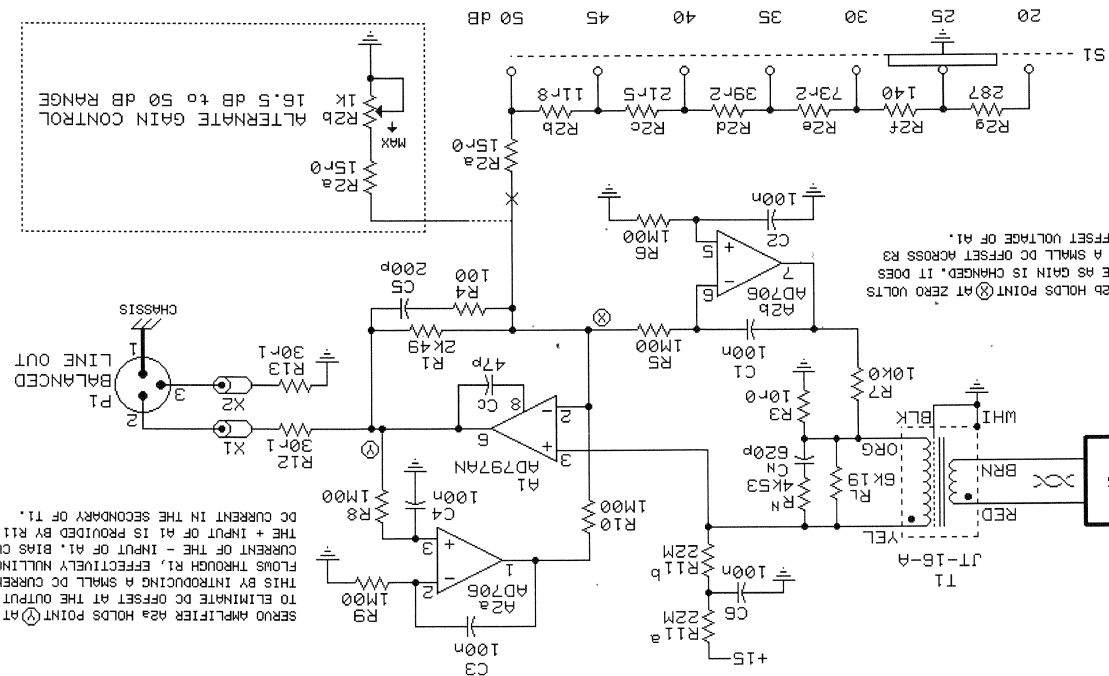
AD 797 is a super-low noise opamp

jensen AS019 09/14/95		7135 HAYVENHURST AVE. VAN NUYS, CALIFORNIA 91406 (818) 374-5857
-----------------------------	--	---

© COPYRIGHT 1992, 1995 JENSEN TRANSFORMERS, INC.

9. X1 AND X2 ARE FERRITE BEADS, JENSEN PART JT-FB-2.
 8. GROUND PLANE CONSTRUCTION IS HIGHLY RECOMMENDED
 7. BYPASS IC POWER PINS WITHIN 1/4" OF PIN WITH HIGH QUALITY CAPACITORS
 6. TIGHTLY TWIST LEADS AS SHOWN ∞ AND KEEP ALL WIRING AS SHORT AS POSSIBLE
 5. USE OF GOLD PLATED CONTACTS IN XLR CONNECTORS IS HIGHLY RECOMMENDED
 4. RL, CN, AND RN ARE AS SPECIFIED ON TRANSFORMER DATA SHEET
 3. ALTERNATE R2B IS A REVERSE LOG TAPER CONDUCTIVE PLASTIC POTENTIOMETER
 2. S1 IS A SHORTING (MAKE-BEFORE-BREAK) TYPE SWITCH
 1. ALL RESISTORS ARE ±1% 1/4W METAL FILM TYPES, ROEDERSTEIN MK2-1, RATED IN OHMS (6K19 = 6.19K, 30-1 = 30.1)

NOTES

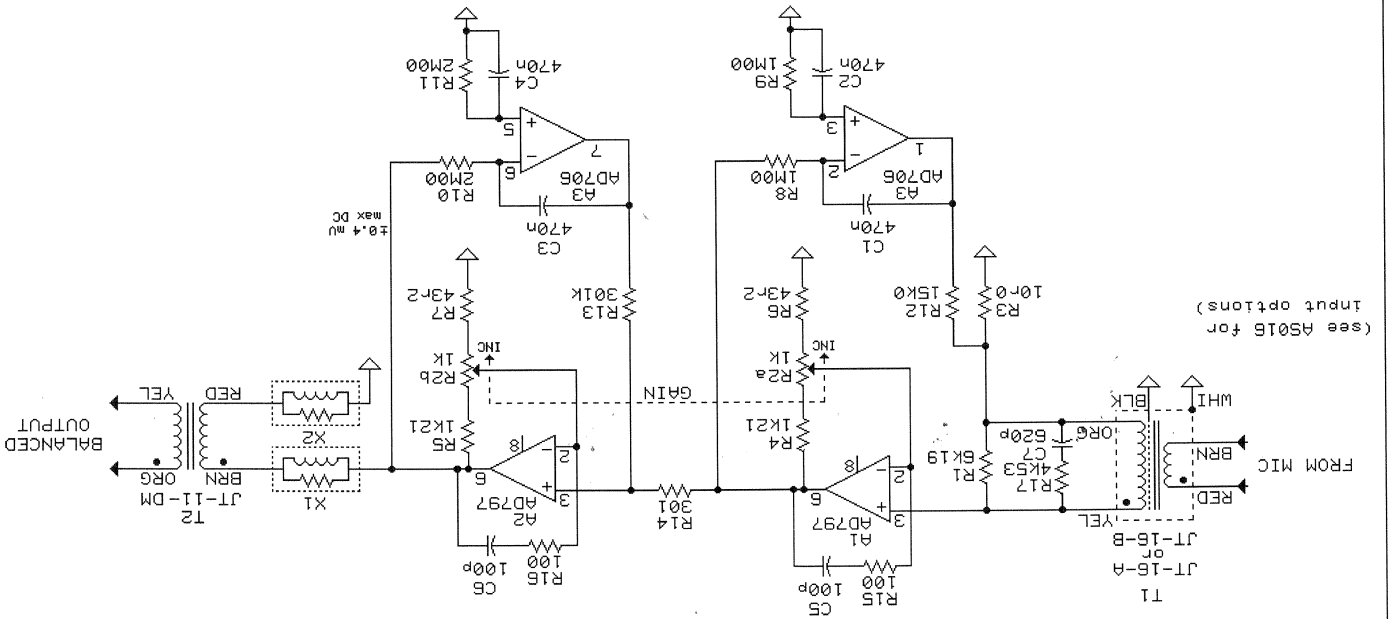


SERVO AMPLIFIER A2B HOLDS POINT Ⓞ AT ZERO VOLTS TO ELIMINATE NOISE AS GAIN IS CHANGED. IT DOES THIS BY PRODUCING A SMALL DC OFFSET ACROSS R3 WHICH NULLS THE OFFSET VOLTAGE OF A1.

SERVO AMPLIFIER A2A HOLDS POINT Ⓞ AT ZERO VOLTS TO ELIMINATE DC OFFSET AT THE OUTPUT. IT DOES THIS BY INTRODUCING A SMALL DC CURRENT, WHICH FLOWS THROUGH R1, EFFECTIVELY NULLING THE BIAS CURRENT OF THE - INPUT OF A1. BIAS CURRENT INTO THE + INPUT OF A1 IS PROVIDED BY R11 TO REDUCE DC CURRENT IN THE SECONDARY OF T1.

JT-16-A IN SINGLE STAGE MIC PREAMP WITH TWO DC SERVOS

IC MIC PREAMP USES JENSEN TWIN-SERVO® CIRCUIT TOPOLOGY

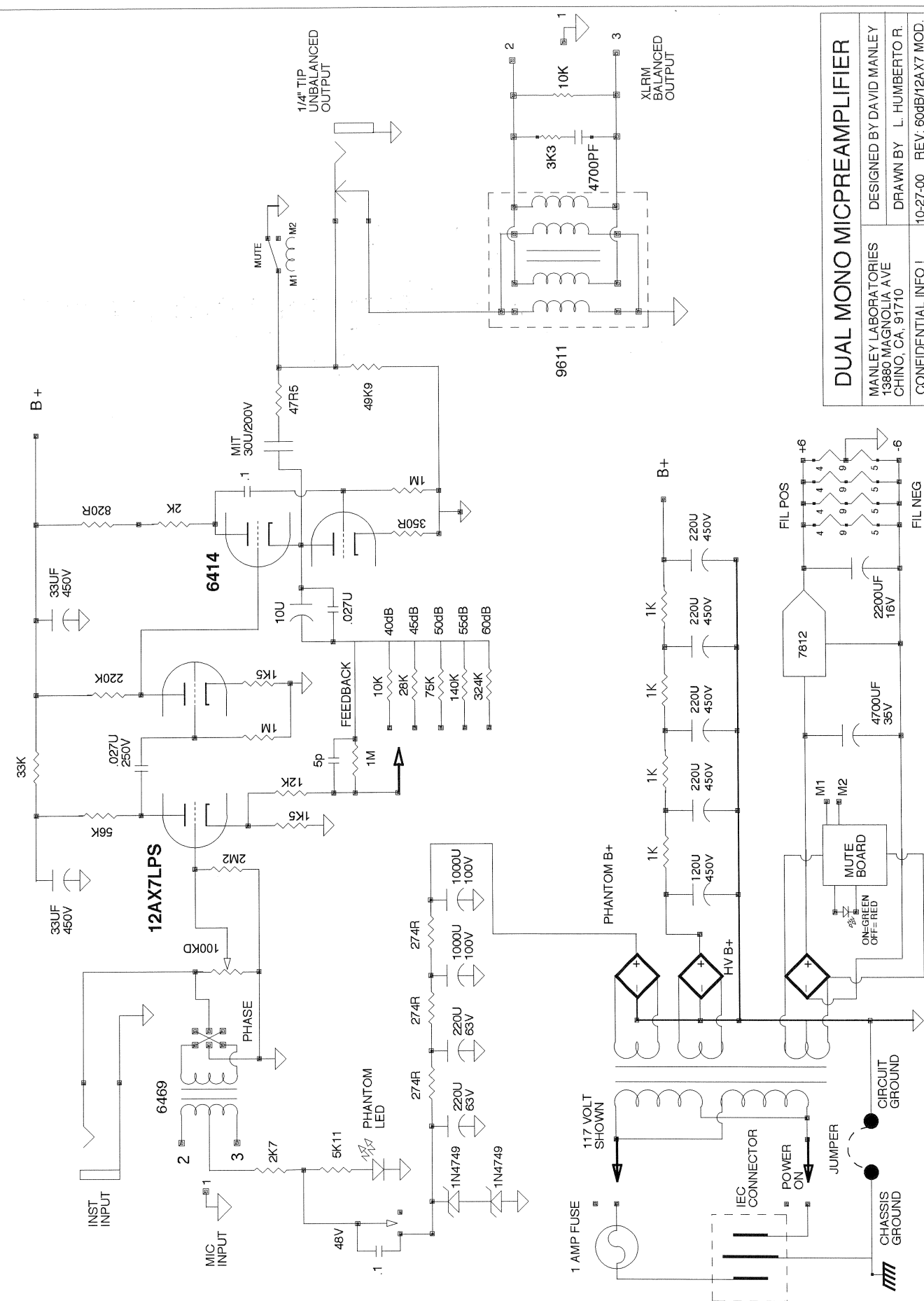


(see AS016 for input options)

R2 is reverse log taper conductive plastic dual pot
 X1 and X2 are output load isolators, Jensen JT-0L1-3

© COPYRIGHT 1997, JENSEN TRANSFORMERS, INC.

7135 HAYVENHURST AVE. VAN NUYS, CALIFORNIA 91406 (818) 374-5857	
AS082	jensen
02/03/97	



DUAL MONO MICREAMPLIFIER

MANLEY LABORATORIES
 13880 MAGNOLIA AVE
 CHINO, CA, 91710

DESIGNED BY DAVID MANLEY
 DRAWN BY L. HUMBERTO R.

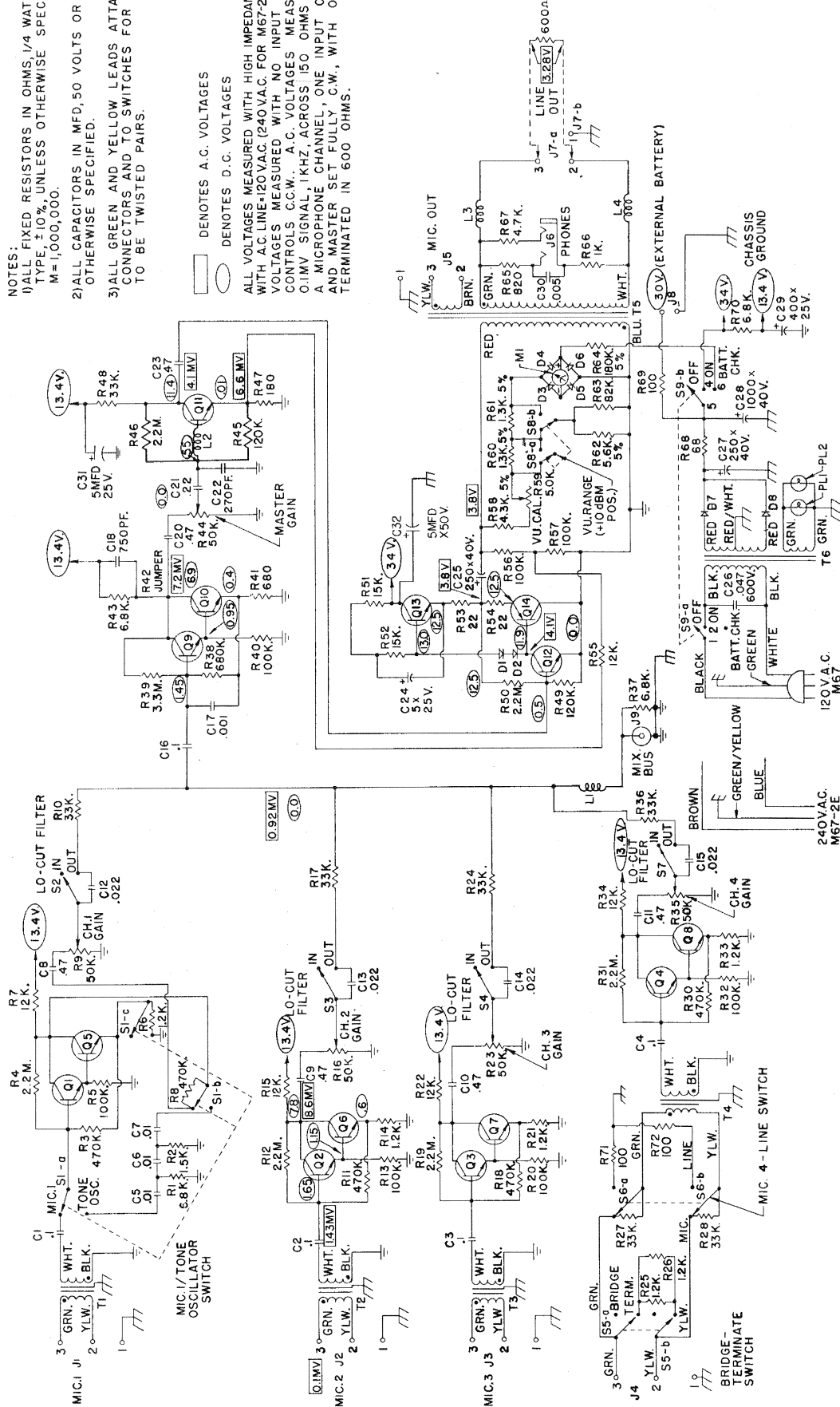
CONFIDENTIAL INFO!
 10-27-00 REV. 60dB/12AX7 MOD.

gain = R4/R3

- NOTES:
- 1) ALL FIXED RESISTORS IN OHMS, 1/4 WATT COMPOSITION TYPE, ± 10%, UNLESS OTHERWISE SPECIFIED. K=1000, M=1,000,000.
 - 2) ALL CAPACITORS IN MFD, 50 VOLTS OR GREATER, UNLESS OTHERWISE SPECIFIED.
 - 3) ALL GREEN AND YELLOW LEADS ATTACHED TO INPUT CONNECTORS AND TO SWITCHES FOR CHANNEL 4 ARE TO BE TWISTED PAIRS.

○ DENOTES A.C. VOLTAGES
 ○ DENOTES D.C. VOLTAGES

ALL VOLTAGES MEASURED WITH HIGH IMPEDANCE VTVM, WITH A.C. LINE=120VAC (240VAC FOR M67-2E). D.C. VOLTAGES MEASURED WITH NO INPUT SIGNAL. ALL CONTROLS C.C.W. A.C. VOLTAGES MEASURED WITH TO 0.1MV SIGNAL, 1KHZ. ACROSS 150 OHMS AT INPUT TO A MICROPHONE CHANNEL, ONE INPUT CHANNEL AND MASTER SET FULLY, C.W., WITH OUTPUT TERMINATED IN 600 OHMS.



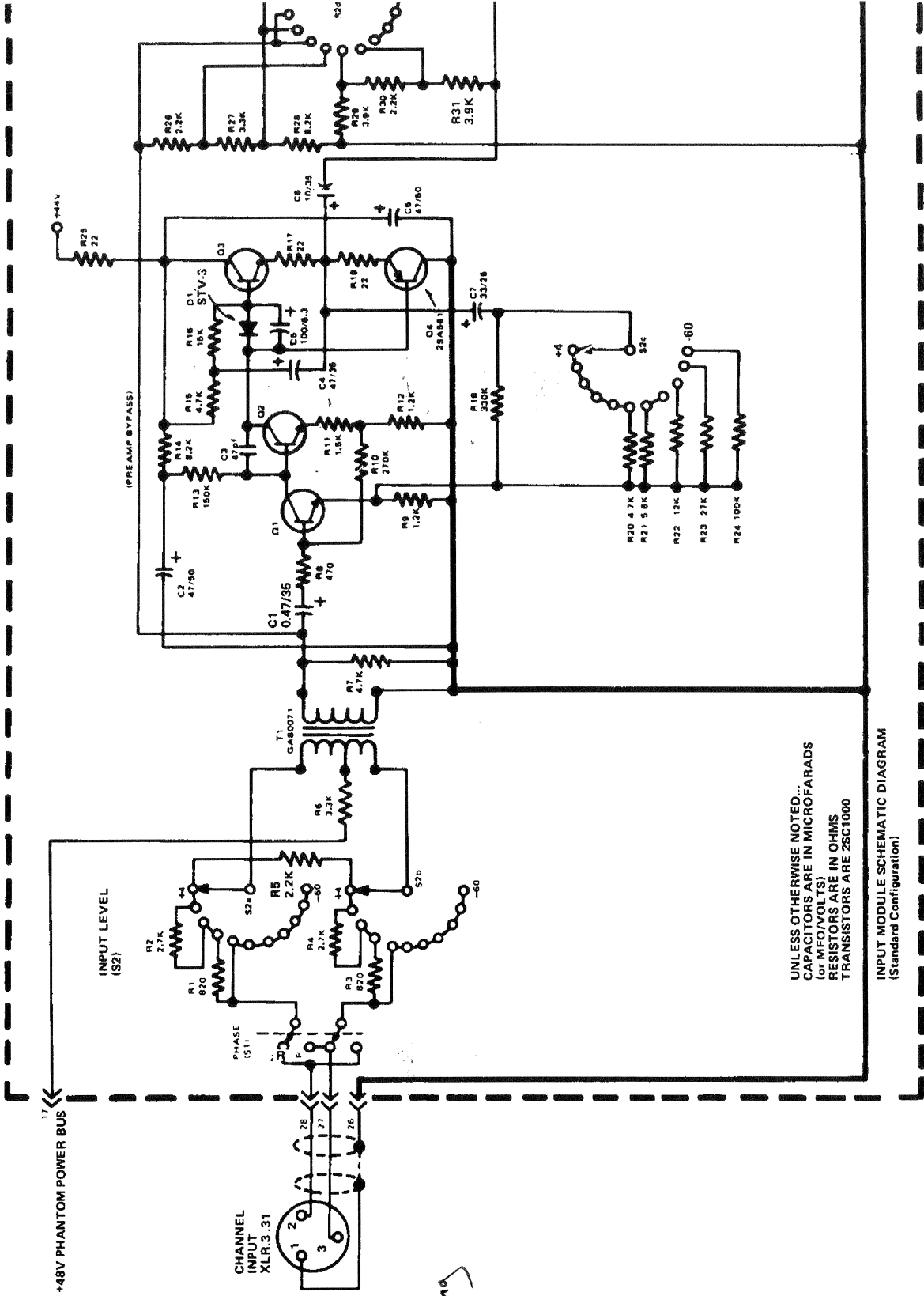
**MODELS M67 AND M67-2E PROFESSIONAL MICROPHONE MIXERS
 CIRCUIT DIAGRAM**

PM 1000

Yamaha

optimized gain staging

UT MODULE SCHEMATIC



UNLESS OTHERWISE NOTED...
 CAPACITORS ARE IN MICROFARADS
 (or MFO/VOLTS)
 RESISTORS ARE IN OHMS
 TRANSISTORS ARE 2SC1000

INPUT MODULE SCHEMATIC DIAGRAM
 (Standard Configuration)

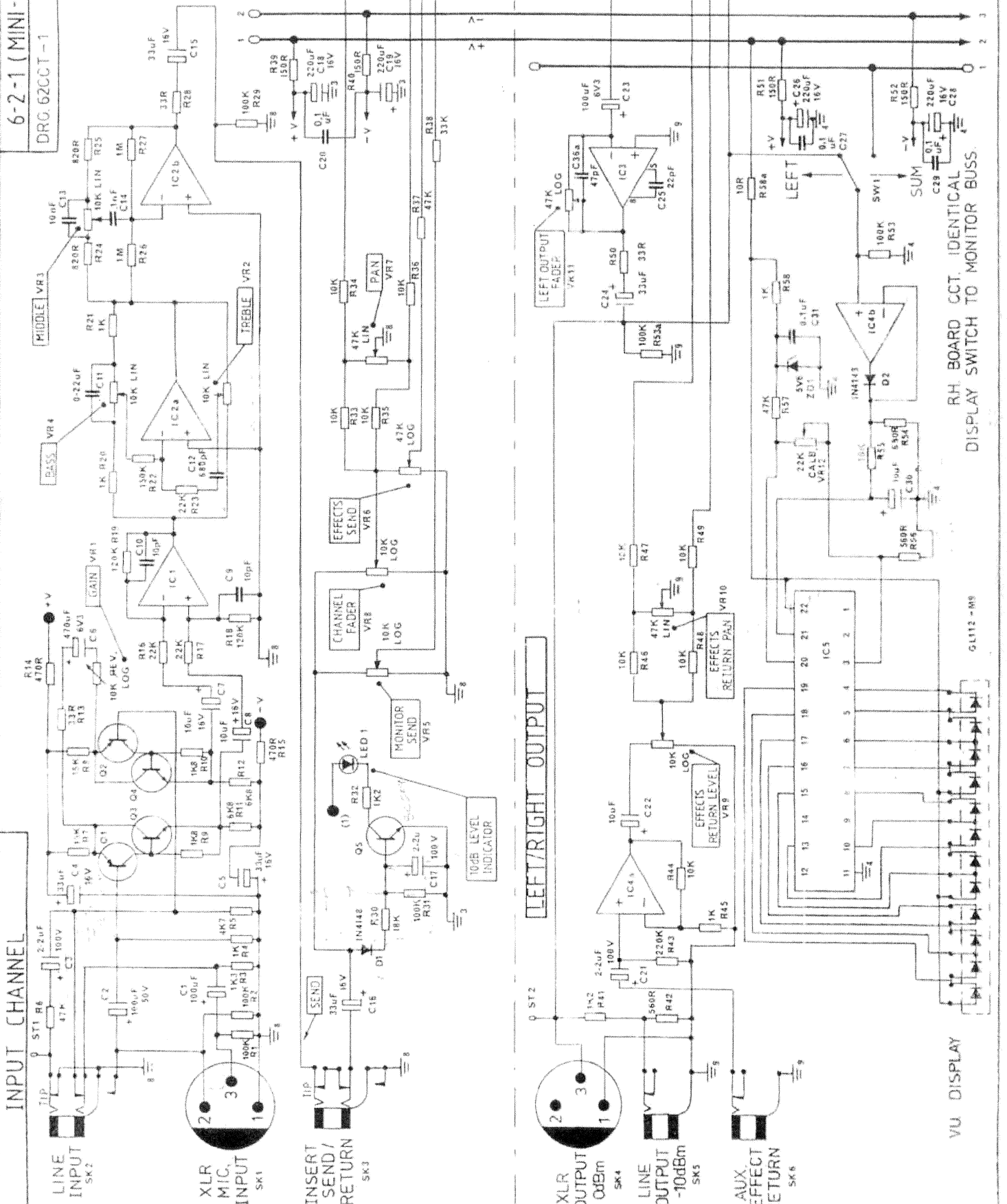
AME SCHEMATIC

MASTER JACKS

Project Series 605 Studio master

6-2-1 (MINI-MIX) CIRCUIT DIAGRAM
 DRG. 62CCT-1
 DRAWN BY IW

- Q1,2 : BC214C or 2SA970
- Q3,4,5 : BC184C
- IC1 : TLO71
- IC2,4 : TLO72
- IC3 : 5534AN
- IC5 : 1R2408G



RH. BOARD CCT. IDENTICAL TO MONITOR BUSS.
 DISPLAY SWITCH TO MONITOR BUSS.

G.L112-M8

VU DISPLAY

LEFT/RIGHT OUTPUT

XLR OUTPUT 0dBm SK4

LINE OUTPUT -10dBm SK5

AUX EFFECT RETURN SK6

RIGHT 9V

LEFT 9V

MON. 8V

EFFECTS 8V

LEFT 8V

RIGHT 8V

MON. 8V

EFFECTS 8V

LEFT 8V

RIGHT 8V

MON. 8V

EFFECTS 8V

LEFT 8V

RIGHT 8V

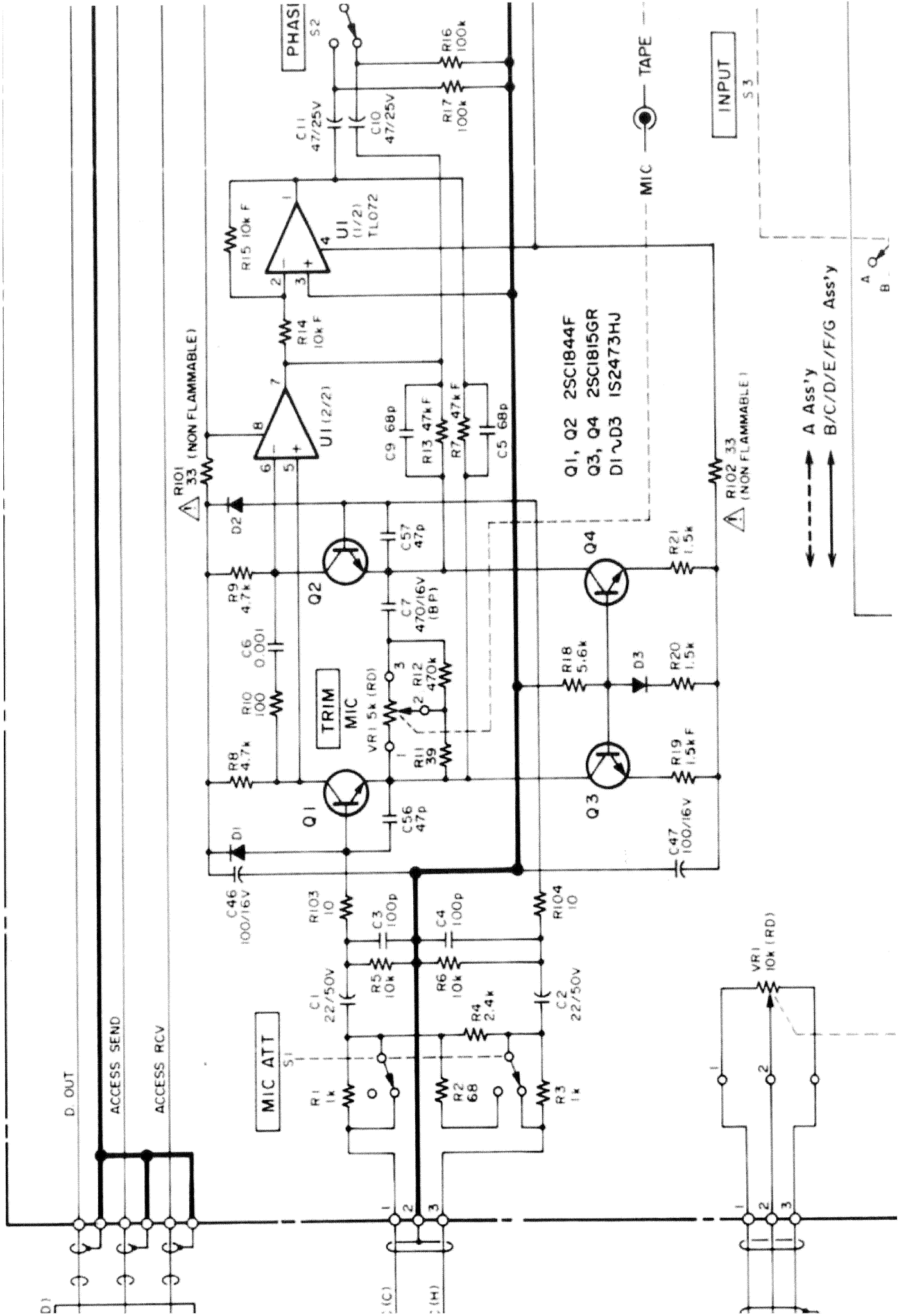
MON. 8V

EFFECTS 8V

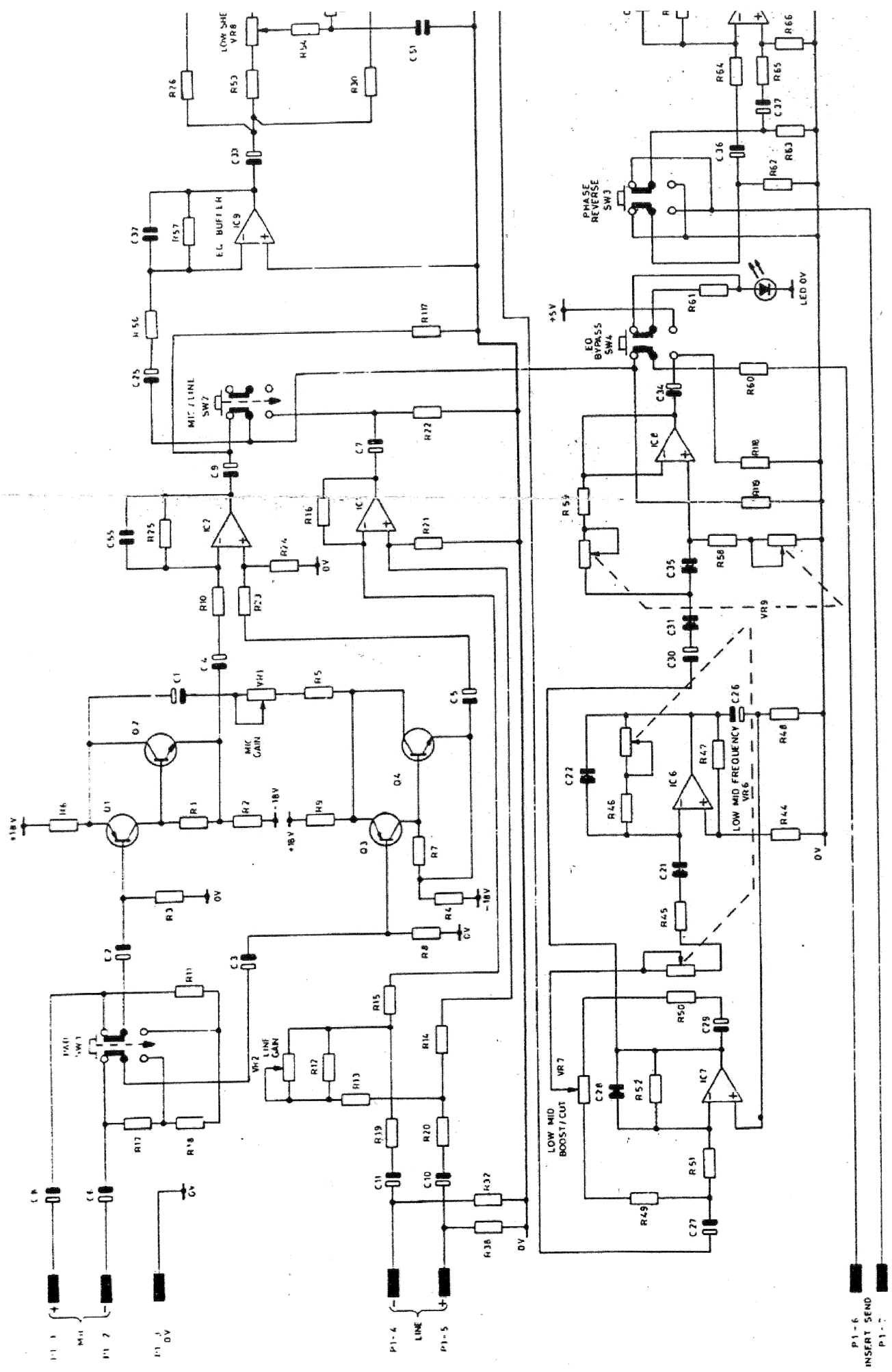
LEFT 8V

RIGHT 8V

Tascam m520

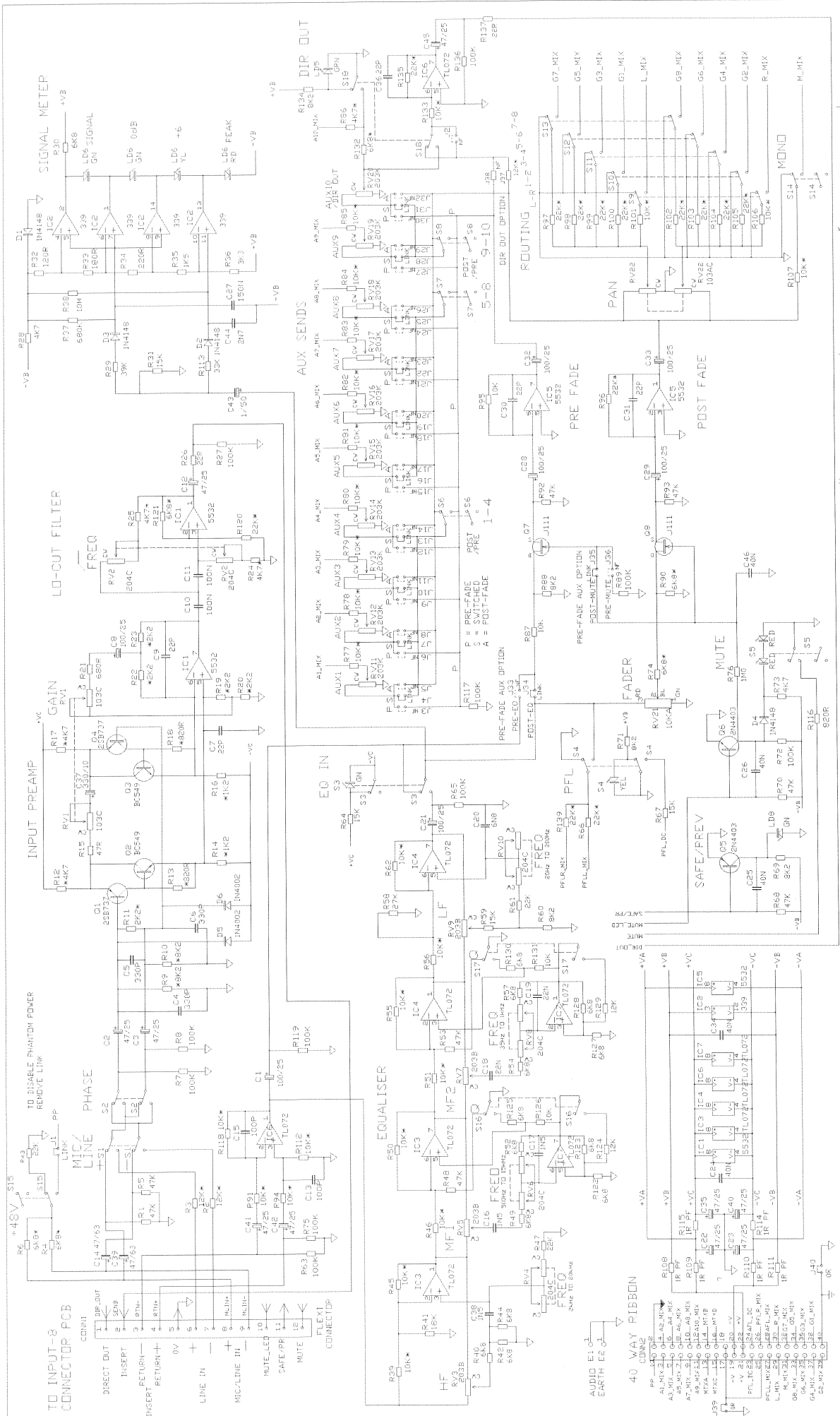


Trident Series 65



P1-6
INSERT SEND
P1-7

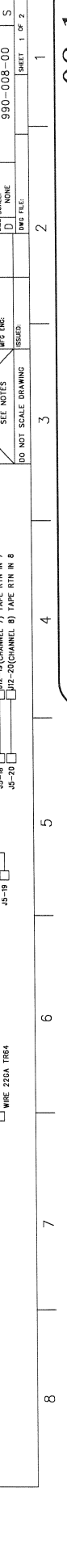
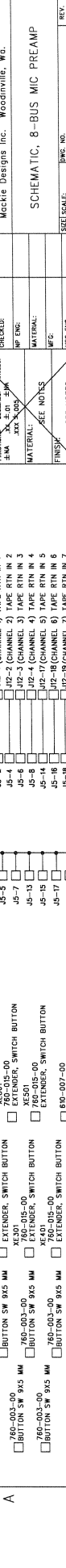
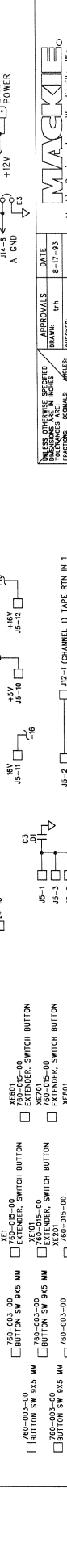
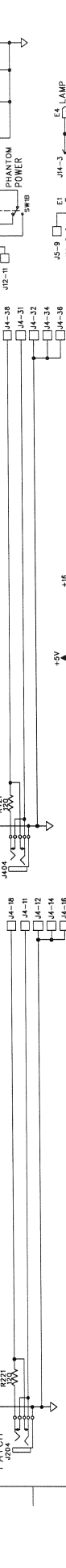
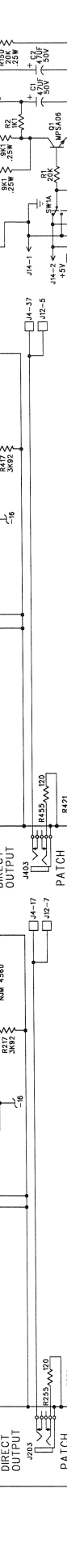
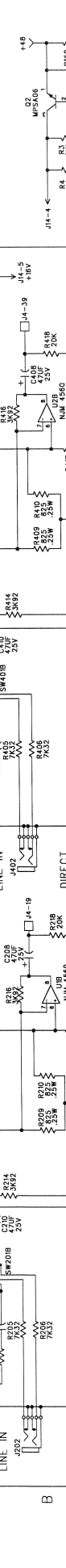
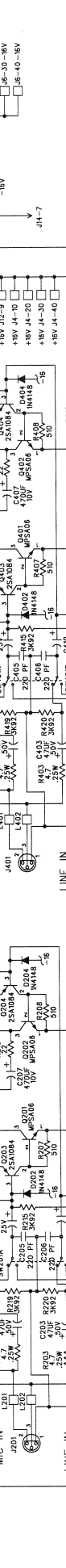
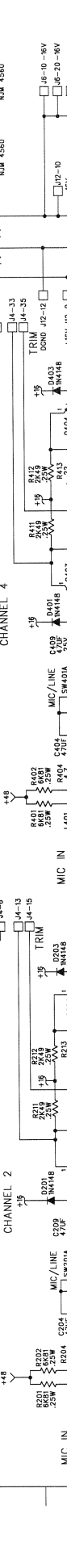
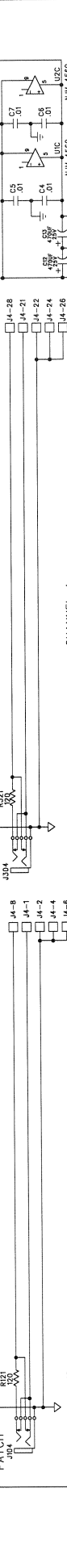
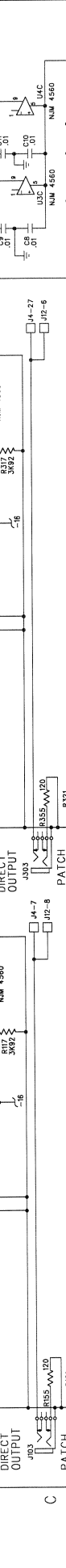
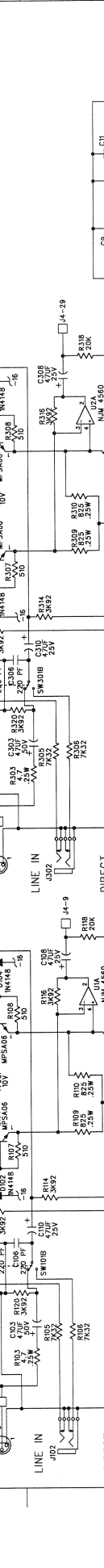
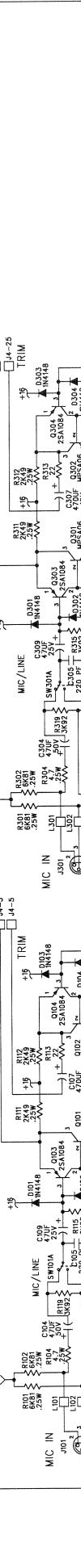
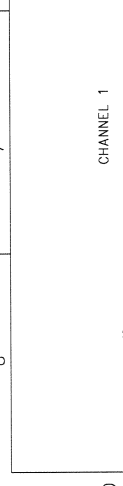
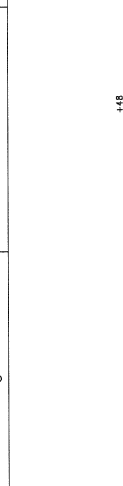
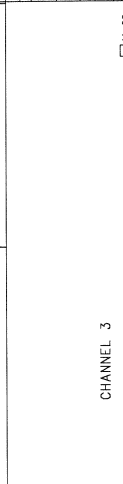
A+H
6L 4000



TO INPUT-8 CONNECTOR PCB		40 WAY RIBBON	
1	DIRECT OUT	1	AL MIX
2	INSERT	2	A3 MIX
3	RETURN	3	A5 MIX
4	RETURN	4	A7 MIX
5	0V	5	A9 MIX
6	MIC/LINE IN	6	A11 MIX
7	MUTE/LED	7	A13 MIX
8	SAFE/PP	8	A15 MIX
9	MUTE	9	A17 MIX
10	FLEX1	10	A19 MIX
CONNECTIONS		CONNECTIONS	
1	DIR OUT	1	AL MIX
2	INSERT	2	A3 MIX
3	RETURN	3	A5 MIX
4	RETURN	4	A7 MIX
5	0V	5	A9 MIX
6	MIC/LINE IN	6	A11 MIX
7	MUTE/LED	7	A13 MIX
8	SAFE/PP	8	A15 MIX
9	MUTE	9	A17 MIX
10	FLEX1	10	A19 MIX

BY DATE: 02/26/96
 DRAWN BY: J. W. SHOWN
 CHECKED BY: J. W. SHOWN
 APPROVED BY: J. W. SHOWN
 VALUE CORRECTION: 2

REV. NO.	DESCRIPTION	REV. BY:	APP. BY:	DATE
C	PHASE 1 AND ADDED GND TO LINE JACKS	TRH	JGC	4-12-94
D	INCORP ECO 145,156,160	TRH	JGC	10-13-95
E	INCORP ECO 145,156,160, 161, 162, 163, 164, 165, 166, 167, 168, 169, 170, 171, 172, 173, 174, 175, 176, 177, 178, 179, 180, 181, 182, 183, 184, 185, 186, 187, 188, 189, 190, 191, 192, 193, 194, 195, 196, 197, 198, 199, 200, 201, 202, 203, 204, 205, 206, 207, 208, 209, 210, 211, 212, 213, 214, 215, 216, 217, 218, 219, 220, 221, 222, 223, 224, 225, 226, 227, 228, 229, 230, 231, 232, 233, 234, 235, 236, 237, 238, 239, 240, 241, 242, 243, 244, 245, 246, 247, 248, 249, 250, 251, 252, 253, 254, 255, 256, 257, 258, 259, 260, 261, 262, 263, 264, 265, 266, 267, 268, 269, 270, 271, 272, 273, 274, 275, 276, 277, 278, 279, 280, 281, 282, 283, 284, 285, 286, 287, 288, 289, 290, 291, 292, 293, 294, 295, 296, 297, 298, 299, 300, 301, 302, 303, 304, 305, 306, 307, 308, 309, 310, 311, 312, 313, 314, 315, 316, 317, 318, 319, 320, 321, 322, 323, 324, 325, 326, 327, 328, 329, 330, 331, 332, 333, 334, 335, 336, 337, 338, 339, 340, 341, 342, 343, 344, 345, 346, 347, 348, 349, 350, 351, 352, 353, 354, 355, 356, 357, 358, 359, 360, 361, 362, 363, 364, 365, 366, 367, 368, 369, 370, 371, 372, 373, 374, 375, 376, 377, 378, 379, 380, 381, 382, 383, 384, 385, 386, 387, 388, 389, 390, 391, 392, 393, 394, 395, 396, 397, 398, 399, 400, 401, 402, 403, 404, 405, 406, 407, 408, 409, 410, 411, 412, 413, 414, 415, 416, 417, 418, 419, 420, 421, 422, 423, 424, 425, 426, 427, 428, 429, 430, 431, 432, 433, 434, 435, 436, 437, 438, 439, 440, 441, 442, 443, 444, 445, 446, 447, 448, 449, 450, 451, 452, 453, 454, 455, 456, 457, 458, 459, 460, 461, 462, 463, 464, 465, 466, 467, 468, 469, 470, 471, 472, 473, 474, 475, 476, 477, 478, 479, 480, 481, 482, 483, 484, 485, 486, 487, 488, 489, 490, 491, 492, 493, 494, 495, 496, 497, 498, 499, 500, 501, 502, 503, 504, 505, 506, 507, 508, 509, 510, 511, 512, 513, 514, 515, 516, 517, 518, 519, 520, 521, 522, 523, 524, 525, 526, 527, 528, 529, 530, 531, 532, 533, 534, 535, 536, 537, 538, 539, 540, 541, 542, 543, 544, 545, 546, 547, 548, 549, 550, 551, 552, 553, 554, 555, 556, 557, 558, 559, 560, 561, 562, 563, 564, 565, 566, 567, 568, 569, 570, 571, 572, 573, 574, 575, 576, 577, 578, 579, 580, 581, 582, 583, 584, 585, 586, 587, 588, 589, 590, 591, 592, 593, 594, 595, 596, 597, 598, 599, 600, 601, 602, 603, 604, 605, 606, 607, 608, 609, 610, 611, 612, 613, 614, 615, 616, 617, 618, 619, 620, 621, 622, 623, 624, 625, 626, 627, 628, 629, 630, 631, 632, 633, 634, 635, 636, 637, 638, 639, 640, 641, 642, 643, 644, 645, 646, 647, 648, 649, 650, 651, 652, 653, 654, 655, 656, 657, 658, 659, 660, 661, 662, 663, 664, 665, 666, 667, 668, 669, 670, 671, 672, 673, 674, 675, 676, 677, 678, 679, 680, 681, 682, 683, 684, 685, 686, 687, 688, 689, 690, 691, 692, 693, 694, 695, 696, 697, 698, 699, 700, 701, 702, 703, 704, 705, 706, 707, 708, 709, 710, 711, 712, 713, 714, 715, 716, 717, 718, 719, 720, 721, 722, 723, 724, 725, 726, 727, 728, 729, 730, 731, 732, 733, 734, 735, 736, 737, 738, 739, 740, 741, 742, 743, 744, 745, 746, 747, 748, 749, 750, 751, 752, 753, 754, 755, 756, 757, 758, 759, 760, 761, 762, 763, 764, 765, 766, 767, 768, 769, 770, 771, 772, 773, 774, 775, 776, 777, 778, 779, 780, 781, 782, 783, 784, 785, 786, 787, 788, 789, 790, 791, 792, 793, 794, 795, 796, 797, 798, 799, 800, 801, 802, 803, 804, 805, 806, 807, 808, 809, 810, 811, 812, 813, 814, 815, 816, 817, 818, 819, 820, 821, 822, 823, 824, 825, 826, 827, 828, 829, 830, 831, 832, 833, 834, 835, 836, 837, 838, 839, 840, 841, 842, 843, 844, 845, 846, 847, 848, 849, 850, 851, 852, 853, 854, 855, 856, 857, 858, 859, 860, 861, 862, 863, 864, 865, 866, 867, 868, 869, 870, 871, 872, 873, 874, 875, 876, 877, 878, 879, 880, 881, 882, 883, 884, 885, 886, 887, 888, 889, 890, 891, 892, 893, 894, 895, 896, 897, 898, 899, 900, 901, 902, 903, 904, 905, 906, 907, 908, 909, 910, 911, 912, 913, 914, 915, 916, 917, 918, 919, 920, 921, 922, 923, 924, 925, 926, 927, 928, 929, 930, 931, 932, 933, 934, 935, 936, 937, 938, 939, 940, 941, 942, 943, 944, 945, 946, 947, 948, 949, 950, 951, 952, 953, 954, 955, 956, 957, 958, 959, 960, 961, 962, 963, 964, 965, 966, 967, 968, 969, 970, 971, 972, 973, 974, 975, 976, 977, 978, 979, 980, 981, 982, 983, 984, 985, 986, 987, 988, 989, 990, 991, 992, 993, 994, 995, 996, 997, 998, 999, 1000	KR	ES	2-9-96
F	INCORP ECO 631	KR	ES	10-15-96
G	25A105A MIC AUDIO INSERTION	KR	ES	10-15-96
H	25A105A MIC AUDIO INSERTION	KR	ES	10-15-96
I	25A105A MIC AUDIO INSERTION	KR	ES	10-15-96
J	25A105A MIC AUDIO INSERTION	KR	ES	10-15-96
K	25A105A MIC AUDIO INSERTION	KR	ES	10-15-96
L	25A105A MIC AUDIO INSERTION	KR	ES	10-15-96
M	25A105A MIC AUDIO INSERTION	KR	ES	10-15-96
N	25A105A MIC AUDIO INSERTION	KR	ES	10-15-96
O	25A105A MIC AUDIO INSERTION	KR	ES	10-15-96
P	25A105A MIC AUDIO INSERTION	KR	ES	10-15-96
Q	25A105A MIC AUDIO INSERTION	KR	ES	10-15-96
R	25A105A MIC AUDIO INSERTION	KR	ES	10-15-96
S	25A105A MIC AUDIO INSERTION	KR	ES	10-15-96
T	25A105A MIC AUDIO INSERTION	KR	ES	10-15-96
U	25A105A MIC AUDIO INSERTION	KR	ES	10-15-96
V	25A105A MIC AUDIO INSERTION	KR	ES	10-15-96
W	25A105A MIC AUDIO INSERTION	KR	ES	10-15-96
X	25A105A MIC AUDIO INSERTION	KR	ES	10-15-96
Y	25A105A MIC AUDIO INSERTION	KR	ES	10-15-96
Z	25A105A MIC AUDIO INSERTION	KR	ES	10-15-96



APPROVALS	DATE
DRAWN: TRH	8-17-83
CHECKED: JGC	
APP ENG: JGC	
MATERIAL: JGC	
MFG ENG: JGC	
ISSUED: JGC	

UNLESS OTHERWISE SPECIFIED	RESISTORS	RESISTANCE VALUES
ALL DIMENSIONS ARE IN MILLIMETERS	RESISTORS	RESISTANCE VALUES
FRACTIONS ARE IN MILLIMETERS	RESISTORS	RESISTANCE VALUES
UNLESS OTHERWISE SPECIFIED	RESISTORS	RESISTANCE VALUES

FINISH	SEE NOTES
FINISH	SEE NOTES
FINISH	SEE NOTES

DO NOT SCALE DRAWING
DO NOT SCALE DRAWING

APPROVALS	DATE
DRAWN: TRH	8-17-83
CHECKED: JGC	
APP ENG: JGC	
MATERIAL: JGC	
MFG ENG: JGC	
ISSUED: JGC	

UNLESS OTHERWISE SPECIFIED	RESISTORS	RESISTANCE VALUES
ALL DIMENSIONS ARE IN MILLIMETERS	RESISTORS	RESISTANCE VALUES
FRACTIONS ARE IN MILLIMETERS	RESISTORS	RESISTANCE VALUES
UNLESS OTHERWISE SPECIFIED	RESISTORS	RESISTANCE VALUES

FINISH	SEE NOTES
FINISH	SEE NOTES
FINISH	SEE NOTES

DO NOT SCALE DRAWING
DO NOT SCALE DRAWING

8-BUS SERVICE MANUAL MACKIE

REV. NO. 990-008-00 1 of 2

MACKIE
Mackie Designs Inc. Woodville, Wa.

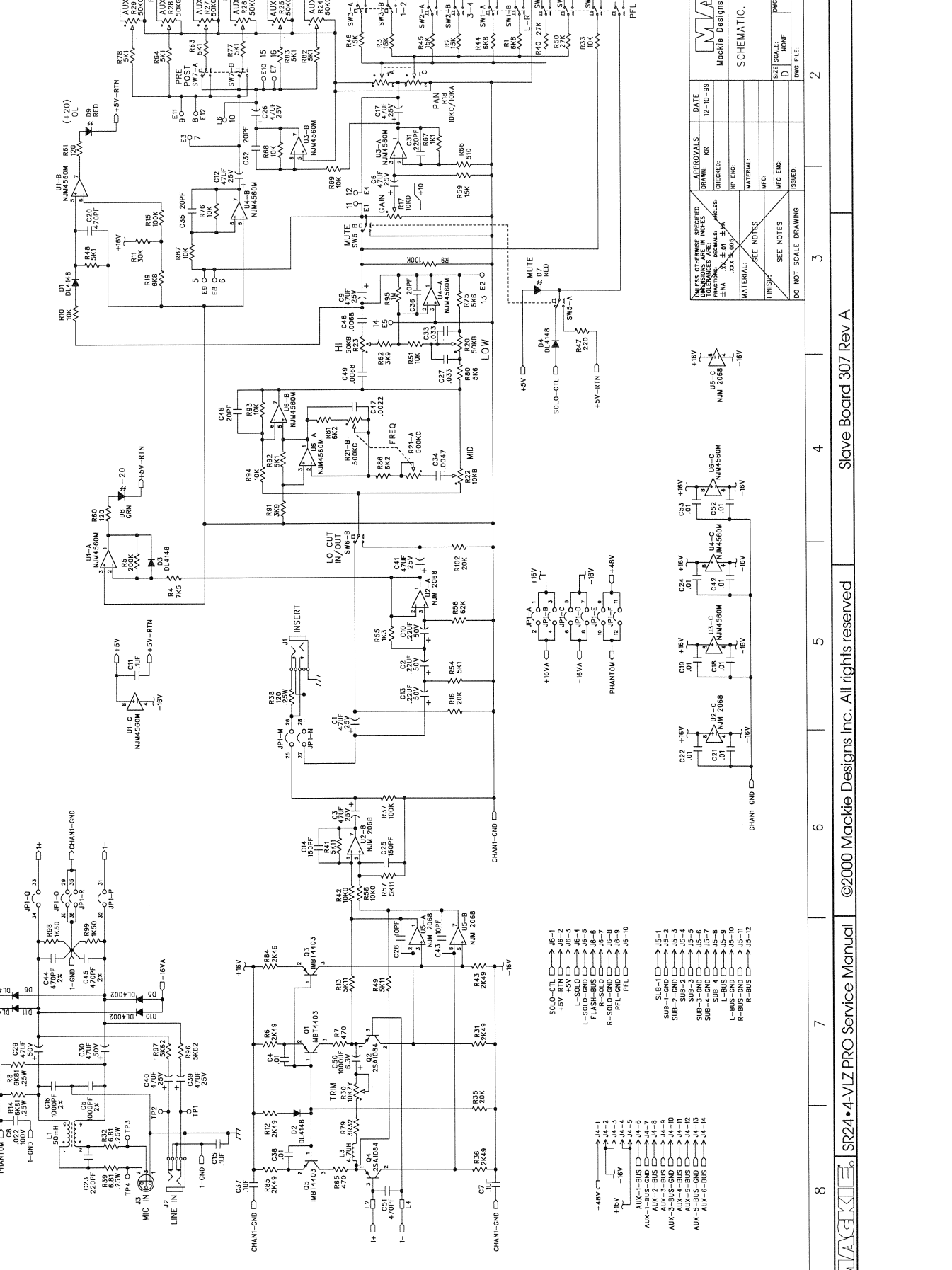
SHEMATIC, 8-BUS MIC PREAMP

SIZE SCALE: NONE
DWG FILE: 990-008-00
SHEET 1 OF 2

MIC/LINE PREAMP BOARD 08 REV S

08-1

©1994, ©1995 Mackie Designs Inc. All rights reserved



MACKIE
Mackie Designs Inc. Woodville, Wg.

SCHMATIC, SR32-4 PRO: SLAVE 8
CHANNEL 1

DATE: 12-10-99
DRAWN: KR
CHECKED: _____
HP ENG: _____
MATERIAL: _____
WFR: _____
FINISH: SEE NOTES

UNLESS OTHERWISE SPECIFIED, TOLERANCES ARE:
R: XXX ±.01%
C: XXX ±.01%
SEE NOTES

DO NOT SCALE DRAWING

ISSUED: _____
MFG ENG: _____

SIZE SCALE: NONE
DWG NO. 990-307-00
SHEET 1 OF 2

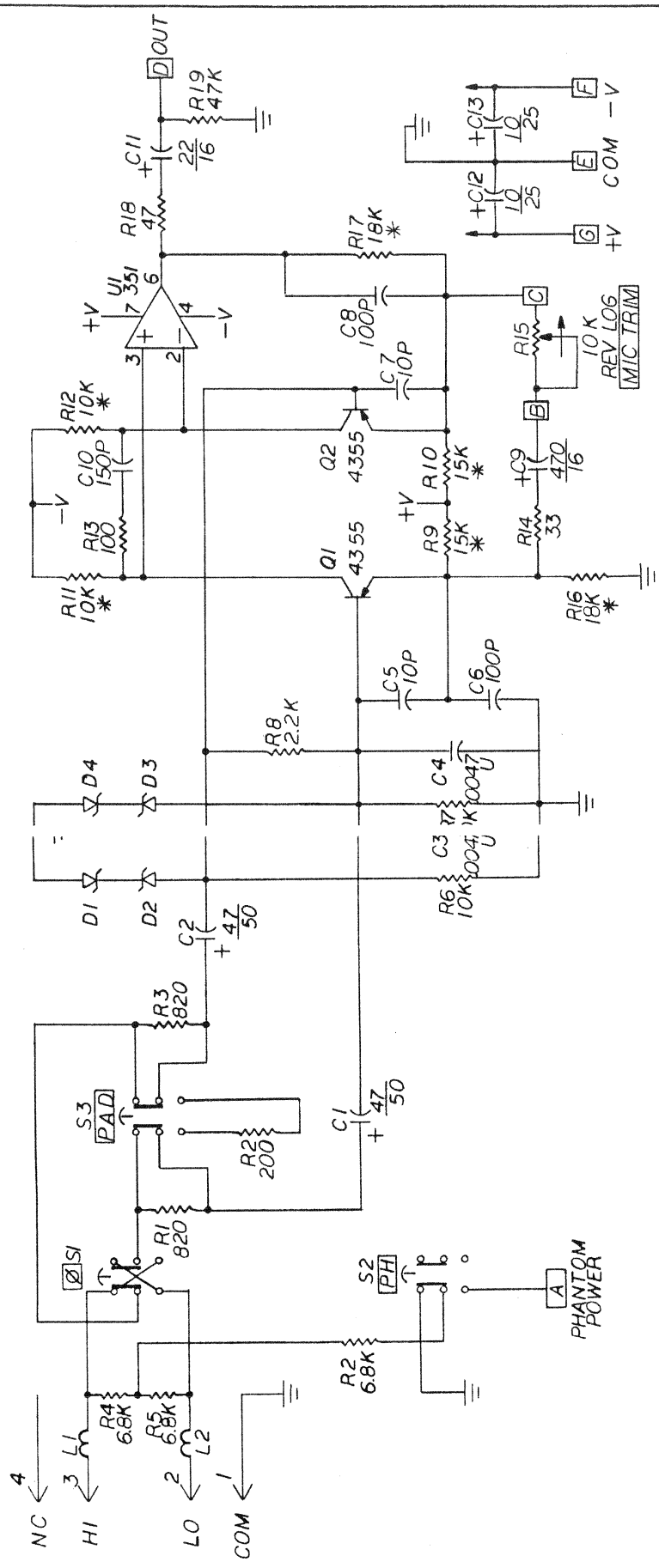
12 3 4 5 6 7 8

Slave Board 307 Rev A

©2000 Mackie Designs Inc. All rights reserved

DI-4 5235B

JI (MIC)



*=1% METAL FILM

SOUND WORKSHOP			
SCHEMATIC			
MIC PRE			
SERIES 20/30			
B	902-122	A	8-6-81