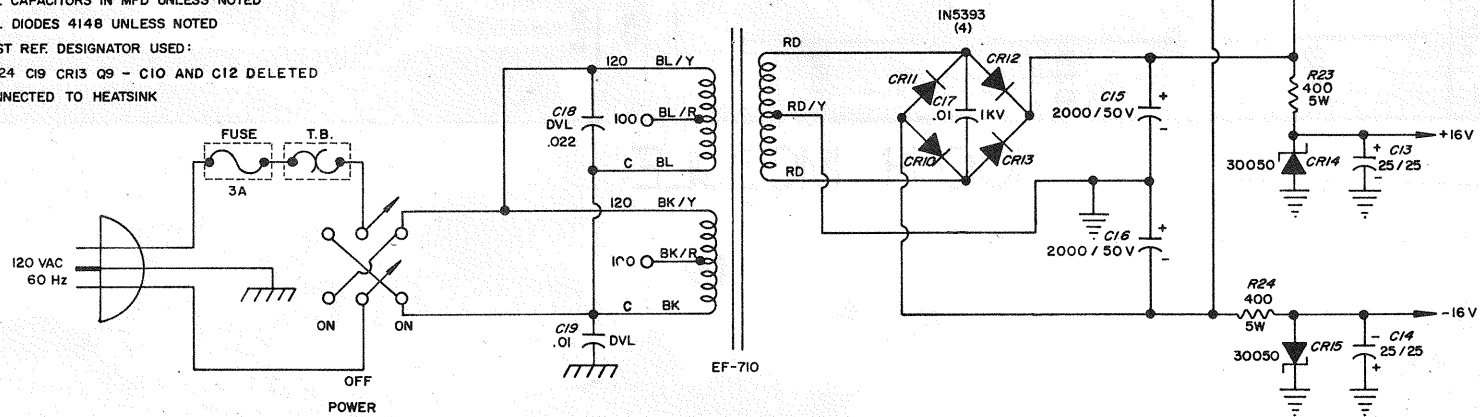


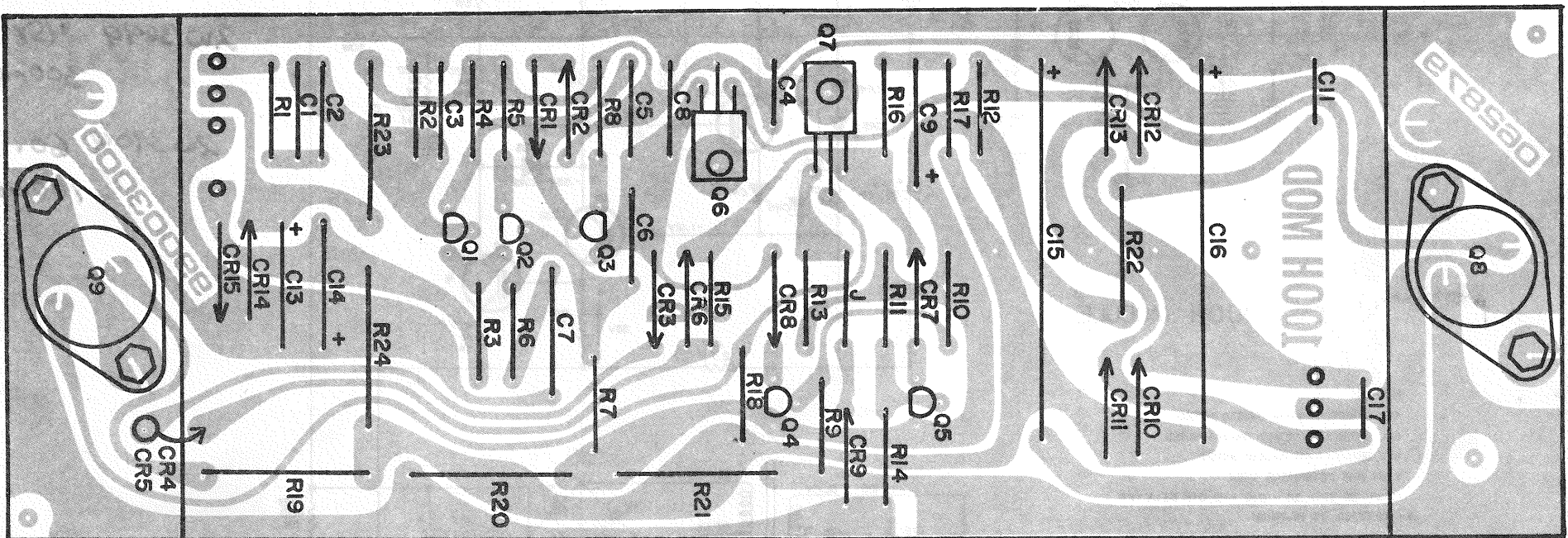
100H MODULE

- NOTES
- ALL RESISTORS 1/4W UNLESS NOTED
  - ALL CAPACITORS IN MFD UNLESS NOTED
  - ALL DIODES 4148 UNLESS NOTED
  - LAST REF. DESIGNATOR USED:
  - R24 C19 CR13 Q9 - C10 AND C12 DELETED
  - \* CONNECTED TO HEATSINK



2N3642 60V  
500ma  
2N3642 45V  
300ma  
2N3642 40V  
100ma

PEAVEY ELECTRONICS CORP. MERIDIAN, MS	
DRAWN BY <i>KS</i>	DATE 7-11-79
C.B. CK <i>[Signature]</i>	
CK. BY <i>[Signature]</i>	
APPR. BY <i>[Signature]</i>	



100 H MODULE

200um  
 393247 60A