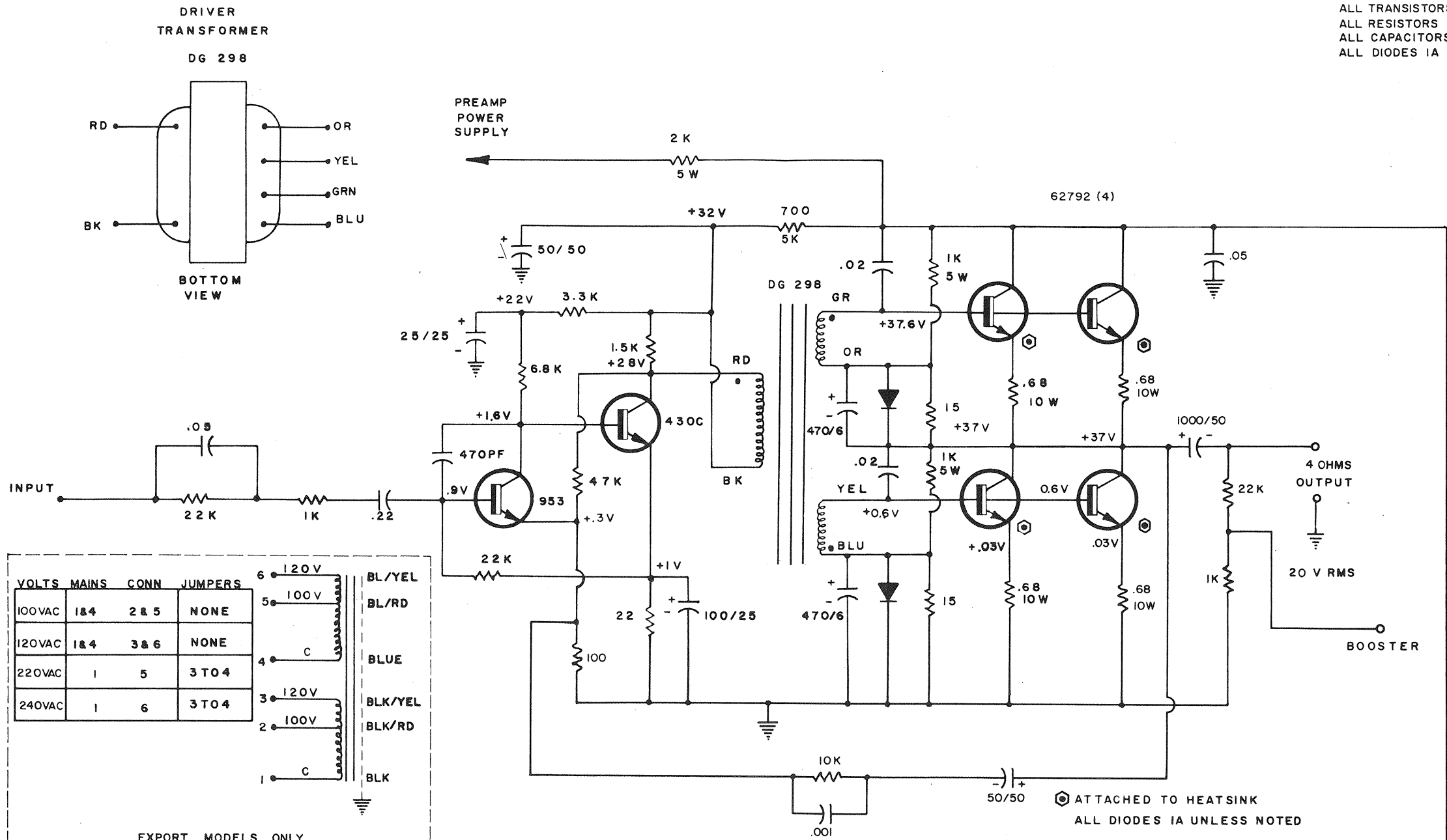
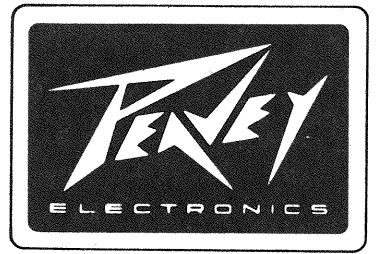
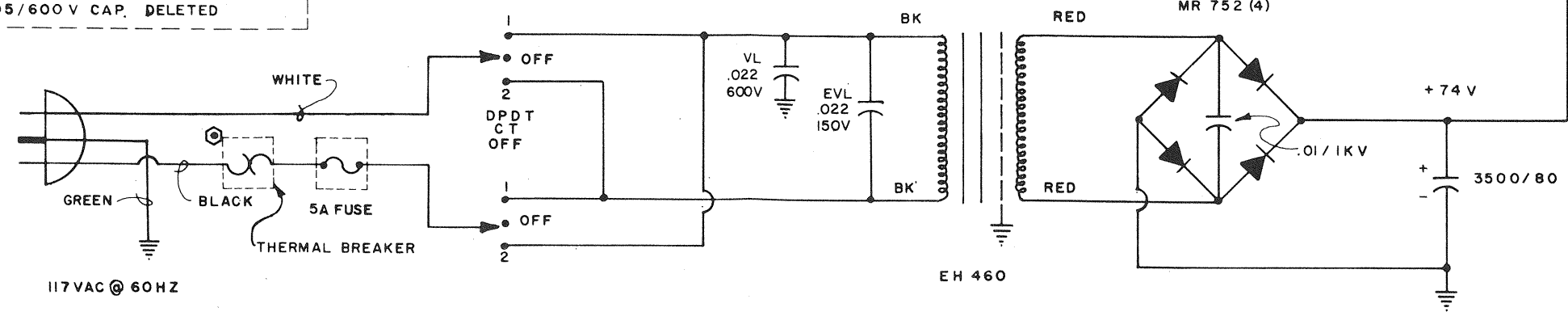


NOTE:
 ALL TRANSISTORS SPS 953 UNLESS NOTED
 ALL RESISTORS 1/2W UNLESS NOTED
 ALL CAPACITORS IN MFD UNLESS NOTED
 ALL DIODES 1A 200V PIV UNLESS NOTED



VOLTS	MAINS	CONN	JUMPERS
100VAC	1&4	2 & 5	NONE
120VAC	1&4	3 & 6	NONE
220VAC	1	5	3 TO 4
240VAC	1	6	3 TO 4

6 120V BL/YEL
 5 100V BL/RD
 4 C BLUE
 3 120V BLK/YEL
 2 100V BLK/RD
 1 C BLK



PEAVEY ELECTRONICS CORP. / 711 "A" Street / P. O. Box 2898 / Meridian, Mississippi

100 WATT POWER AMP

120 MODULE

B SERIES