

200H MODULE

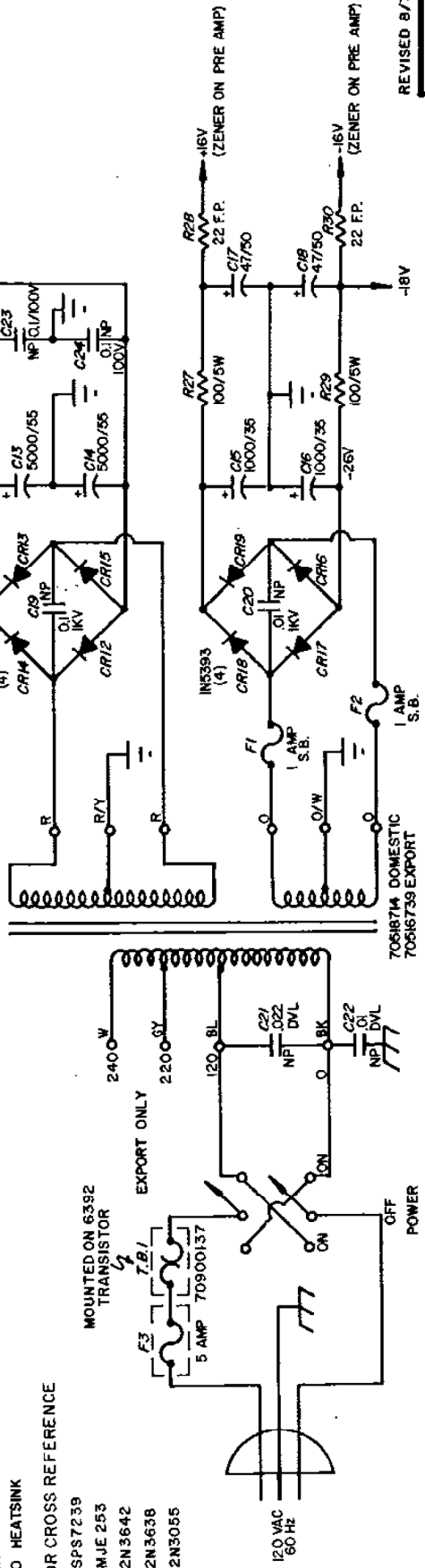
B SERIES

BD. # 98830001

- NOTES**
- ALL RESISTORS 1/4W UNLESS NOTED
 - ALL CAPACITORS IN MFD UNLESS NOTED
 - ALL DIODES INM4148 UNLESS NOTED
 - LAST REF. DESIGNATOR USED
 - R31 C25 CR20 Q1 F3 T.B.I
 - * CONNECTED TO HEATSINK

SEMICONDUCTOR CROSS REFERENCE

2N3904	—	SPS7239
5332	—	MJE 253
6530/1	—	2N3642
6533/4	—	2N3638
6392	—	2N3055



REVISED 8/7/86 ~~7/86~~

PEAVEY ELECTRONICS CORP.
MERRIDIAN, MS.

DRAWN BY ~~CR3~~ DATE 5-4-85

C. R. OK. ~~CR3~~

C.K. BY ~~CR3~~

APPR. BY ~~CR3~~

7098714 DOMESTIC
70916739 EXPORT