

## 200H MODULE A SERIES

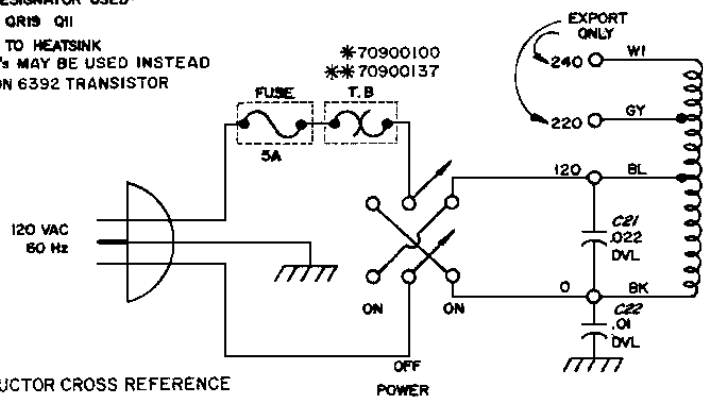
BD. # 99002107(6/26/79)  
BD. # 98830000(4/18/83)

### NOTES

ALL RESISTORS 1/4W UNLESS NOTED  
ALL CAPACITORS IN MFD UNLESS NOTED  
ALL DIODES 4148 UNLESS NOTED  
LAST REF. DESIGNATOR USED:

R31 C24 QR19 Q11

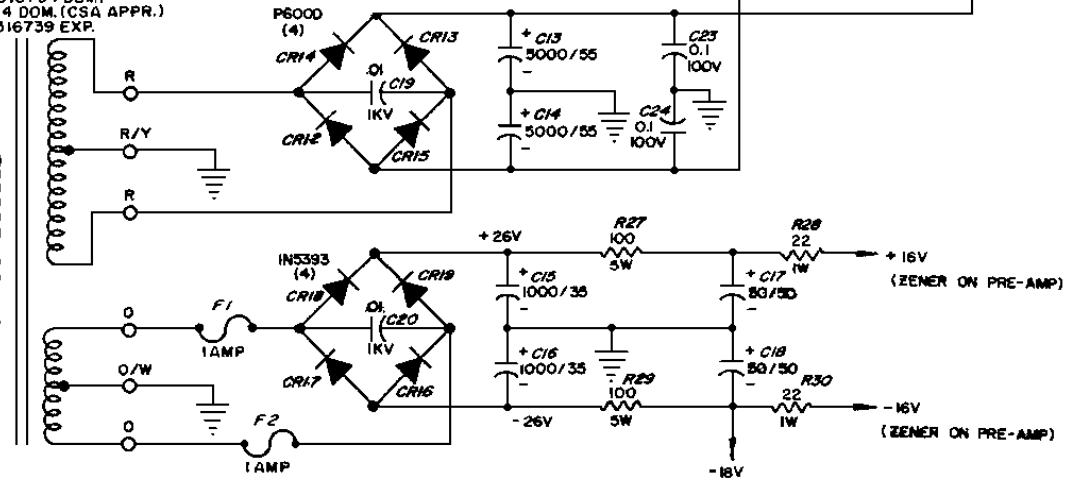
\* CONNECTED TO HEATSINK  
ALL 6357's MAY BE USED INSTEAD  
\*\* MOUNTED ON 6392 TRANSISTOR



### SEMICONDUCTOR CROSS REFERENCE

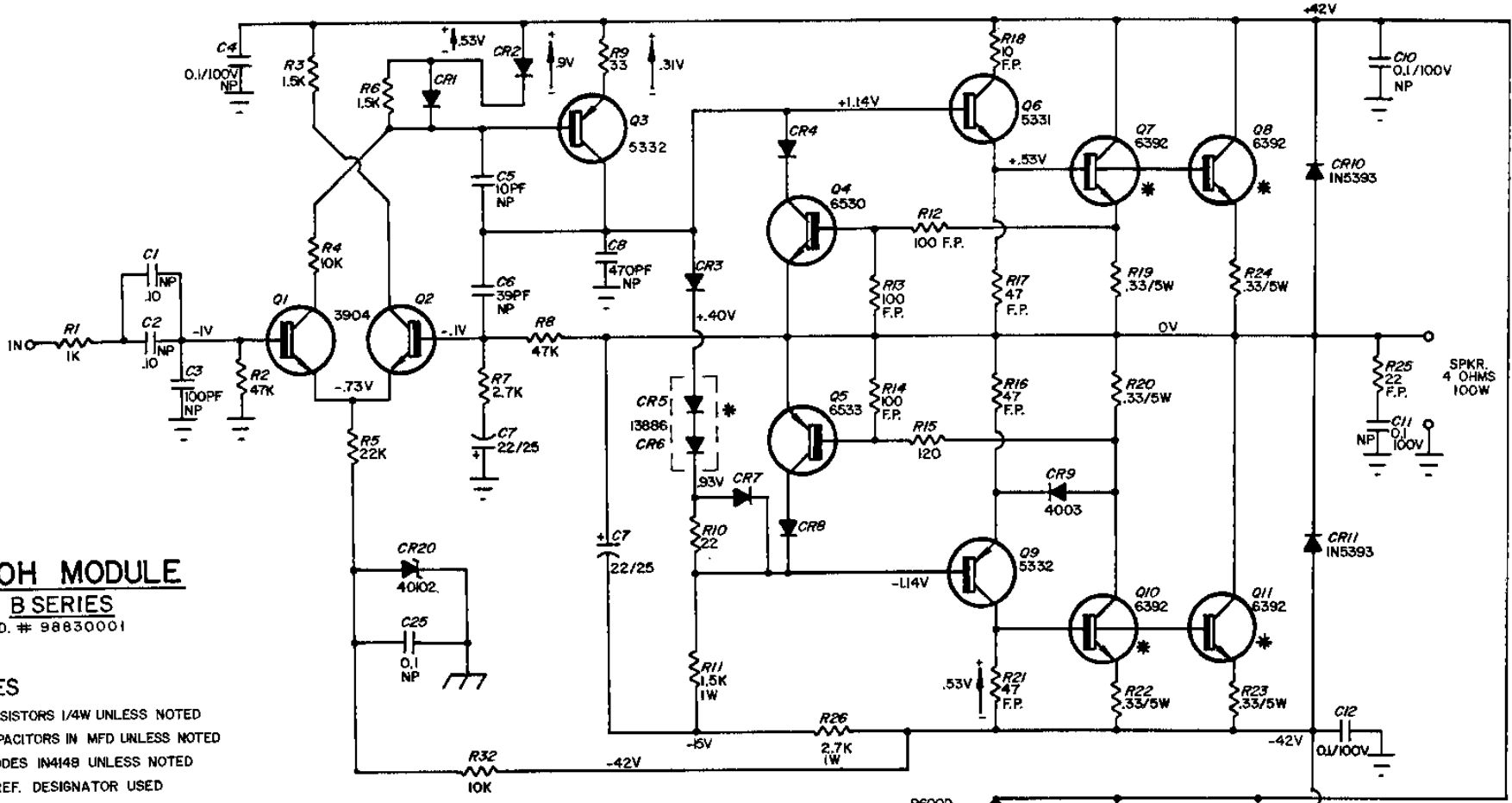
2N3904	—	SPS7239
5332	—	MJE253
6530/1	—	2N3642
6533/4	—	2N3638
6392	—	2N3055

70516734 DOM.  
70516714 DOM. (CSA APPR.)  
70516739 EXP.



REVISED 8/11/86

PEAVEY ELECTRONICS CORP. MERIDIAN, MS	
DRAWN BY <i>KS</i>	DATE 6-21-77
C.B. CK <i>[Signature]</i>	
CK. BY <i>[Signature]</i>	
APPR. BY <i>[Signature]</i>	

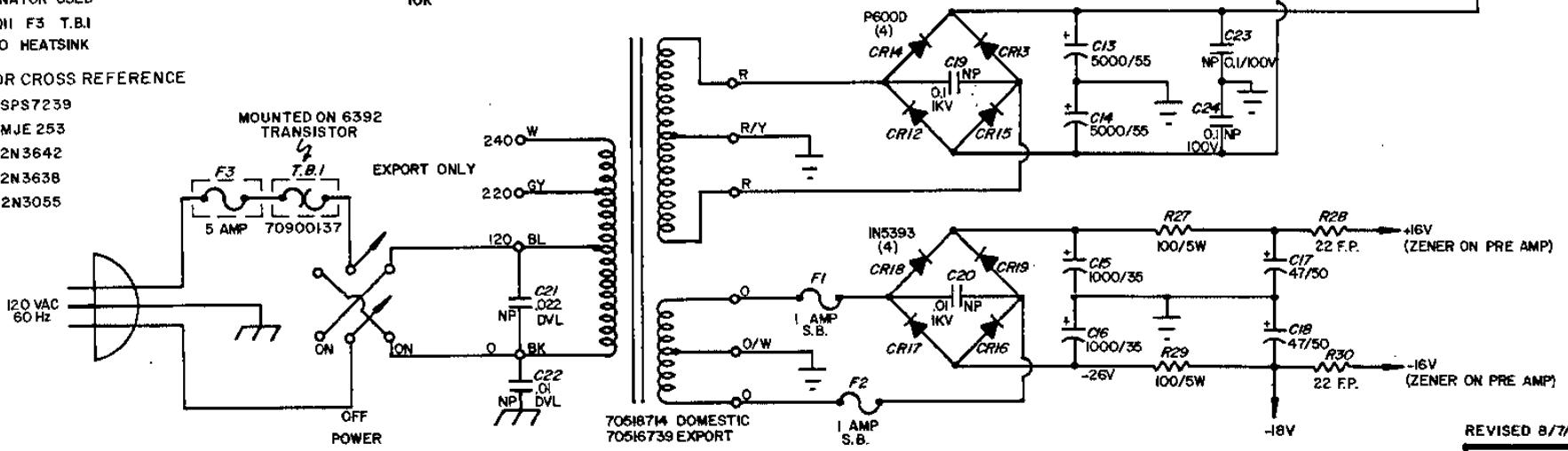


**200H MODULE**  
**B SERIES**  
 BD. # 98830001

**NOTES**  
 ALL RESISTORS 1/4W UNLESS NOTED  
 ALL CAPACITORS IN MFD UNLESS NOTED  
 ALL DIODES IN4148 UNLESS NOTED  
 LAST REF. DESIGNATOR USED  
 R31 C25 CR20 Q11 F3 T.B.1  
 \* CONNECTED TO HEATSINK

**SEMICONDUCTOR CROSS REFERENCE**

- 2N3904 — SPS7239
- 5332 — MJE 253
- 6530/1 — 2N3642
- 6533/4 — 2N3638
- 6392 — 2N3055



REVISED 8/7/86 *RR*

PEAVEY ELECTRONICS CORP.	
MERIDIAN, MS.	
DRAWN BY <i>CK</i>	DATE <i>5-4-85</i>
C.K. CK.	<i>RR</i>
CK. BY <i>RR</i>	<i>RR</i>
APPR. BY <i>RR</i>	<i>RR</i>