

NOTES
 ALL RESISTORS 1/4W UNLESS NOTED
 ALL CAPACITORS IN MFD UNLESS NOTED
 ALL DIODES IN4148 UNLESS NOTED
 V DENOTES BYPASS CAPACITOR .047 MAY
 BE SUBSTITUTED
 LAST REF DESIGNATOR USED :

R-02
 C-59
 G-2
 U-16

ALL - U1 4558 UNLESS NOTED

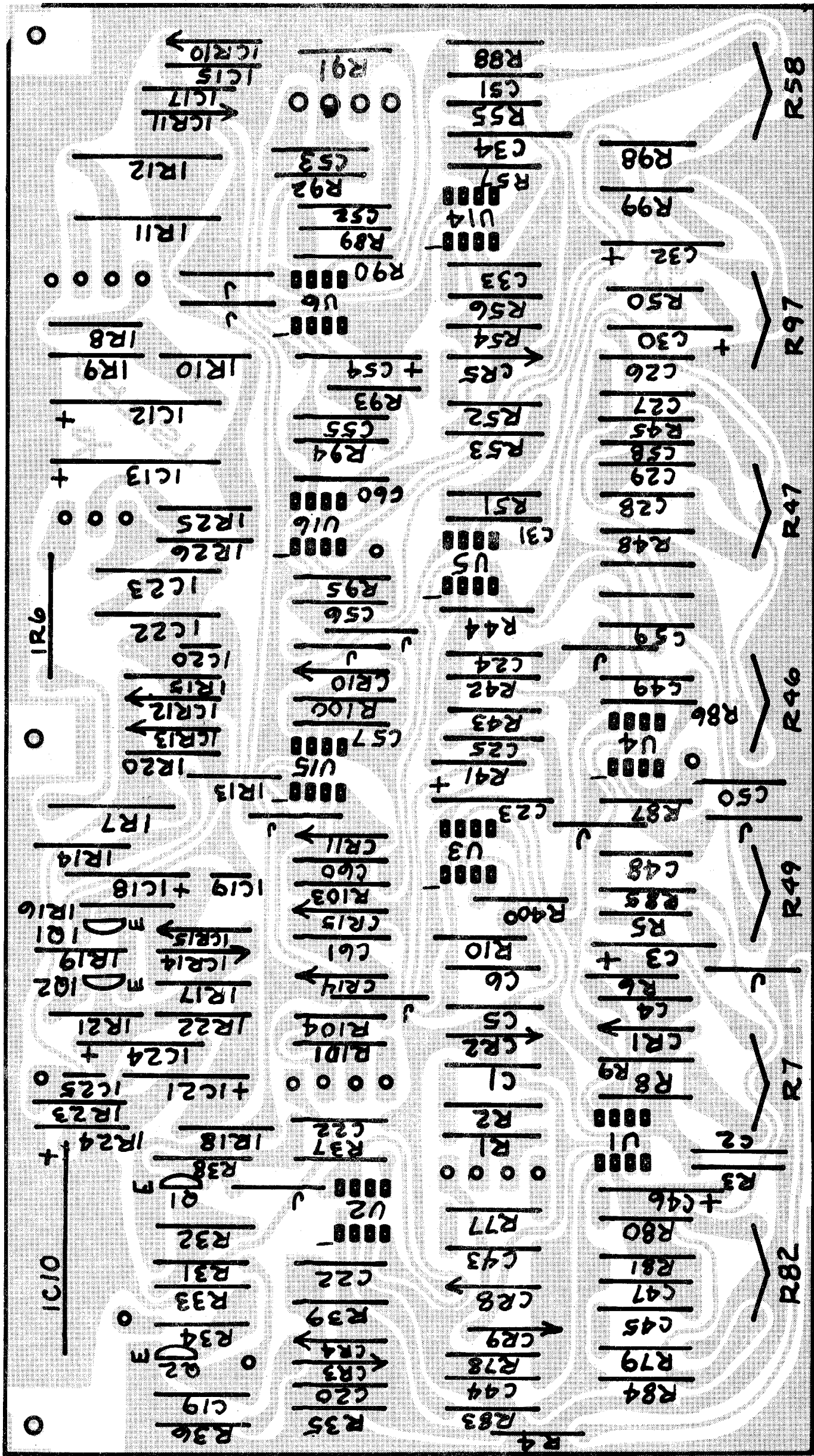
PART NO. B1500083

PEAVEY ELECTRONICS CORP.
 MERIDIAN, MS.

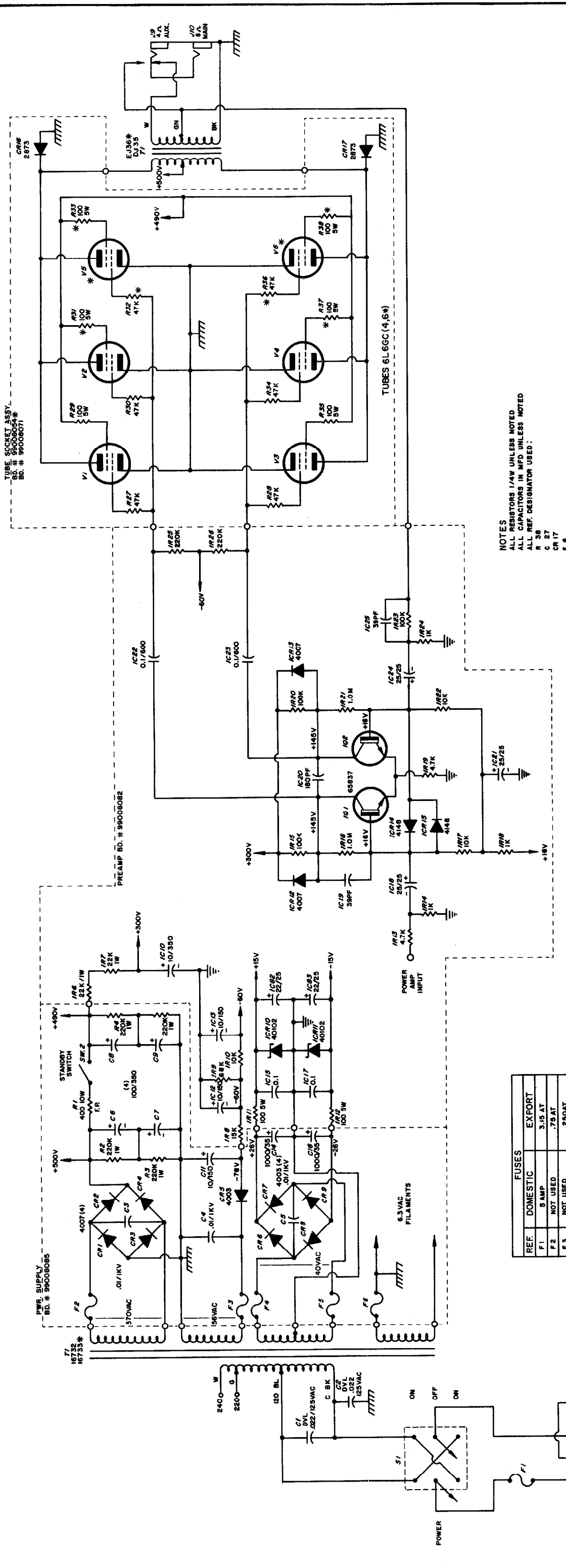
DRAWN BY: [Signature] DATE: 3-15-78

CK BY: [Signature]

APPR BY: L. A. K. 4-18-78



ARTIST



REVISED 4/8/81
 PEAVEY ELECTRONICS CORP.
 MERRIDIAN MS
 DRAWN BY [Signature]
 DATE 7-24-79
 CK. BY [Signature]
 APPR. BY [Signature]

81501065

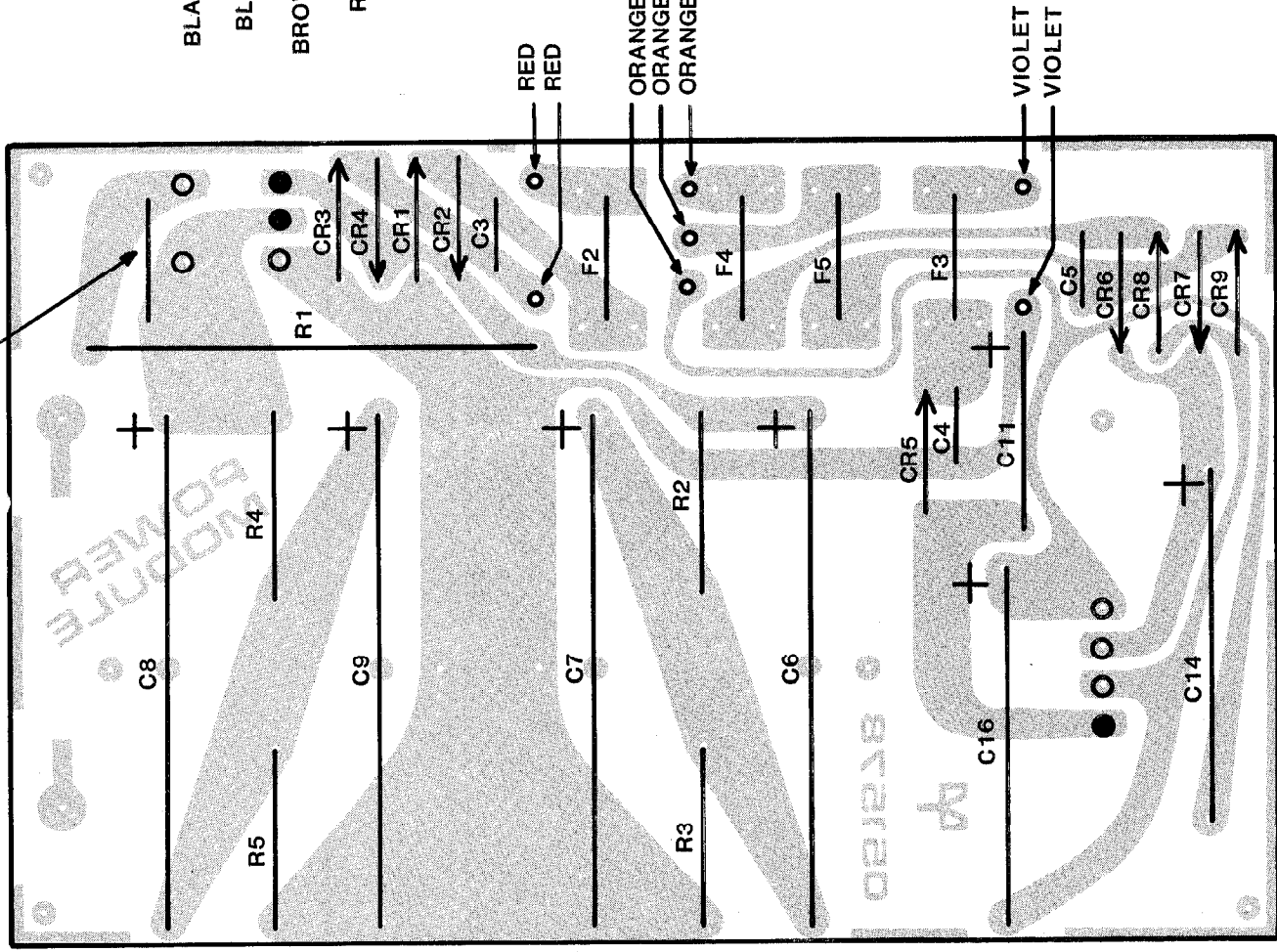
NOTES
 ALL RESISTORS 1/4W UNLESS NOTED
 ALL CAPACITORS IN MFD UNLESS NOTED
 ALL REF. DESIGNATOR USED:
 R 38
 C 27
 CR 17
 F 6
 V 6
 O 2
 * USED ON 'MACE' ONLY

MACE/DEUCE
 VI SERIES
 (POWER AMP)

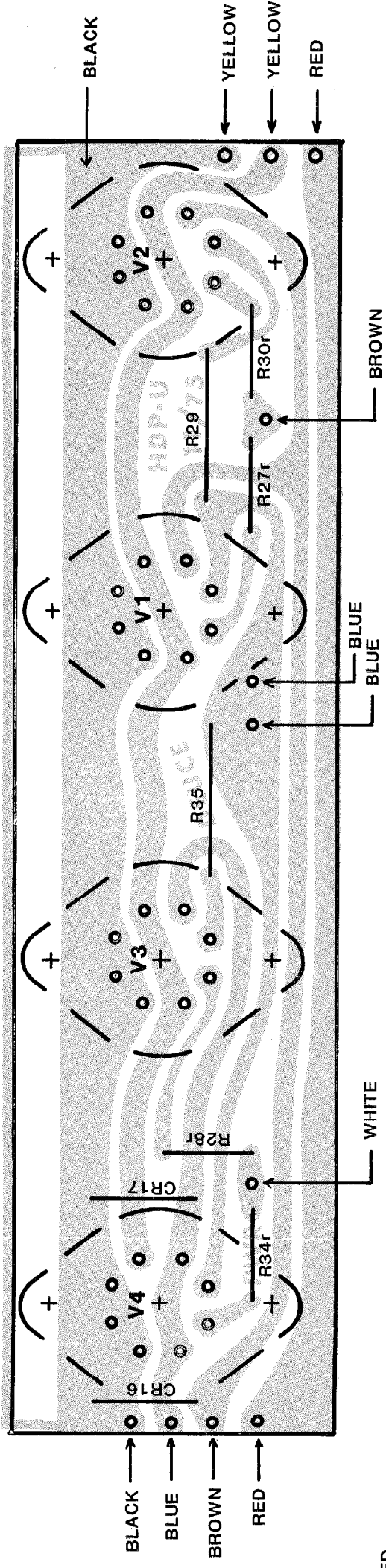
FUSES	
REF.	EXPORT
F1	5 AMP
F2	3.15 AT
F3	NOT USED
F4	.75 AT
F5	NOT USED
F6	.250 AT
	.250 AT
	.250 AT
	4-AT

DEUCE/MACE/CLASSIC/ARTIST
POWER SUPPLY BOARD

JUMPER USED ONLY IN 'CLASSIC' MODEL

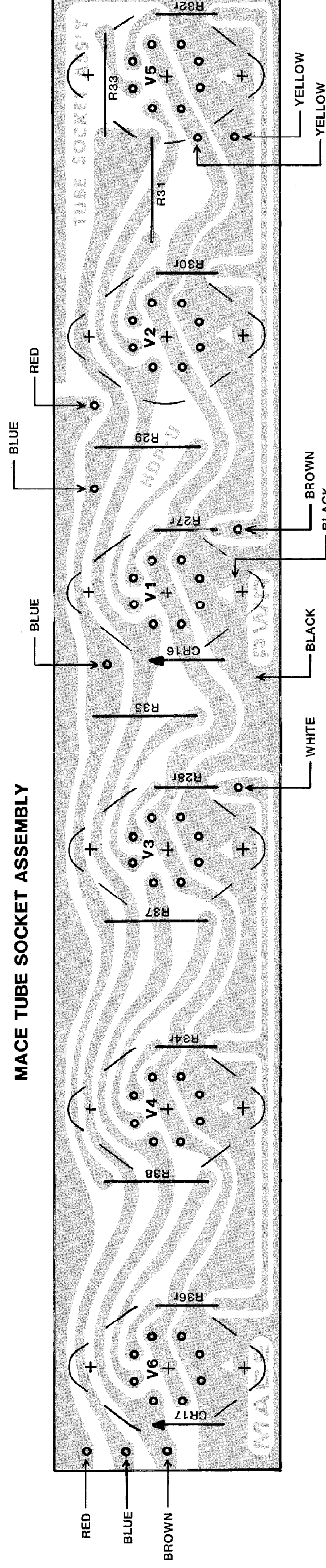


DEUCE TUBE SOCKET ASSEMBLY



RESISTORS DESIGNATED (r) LOCATED ON REVERSE SIDE OF PC BOARD

MACE TUBE SOCKET ASSEMBLY



RESISTORS DESIGNATED (r) LOCATED ON REVERSE SIDE OF PC BOARD