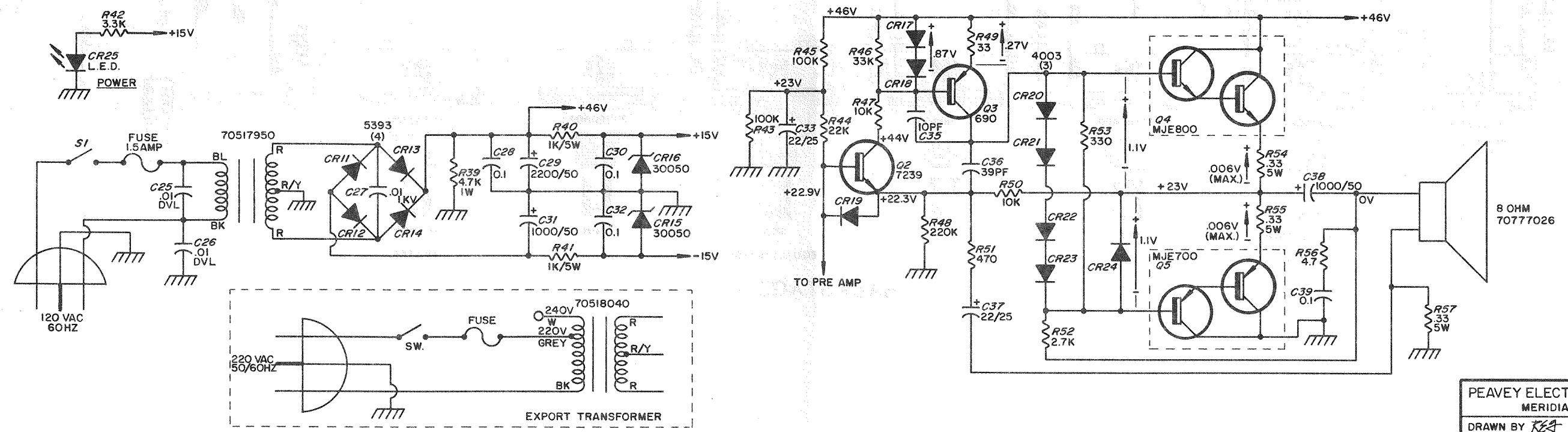


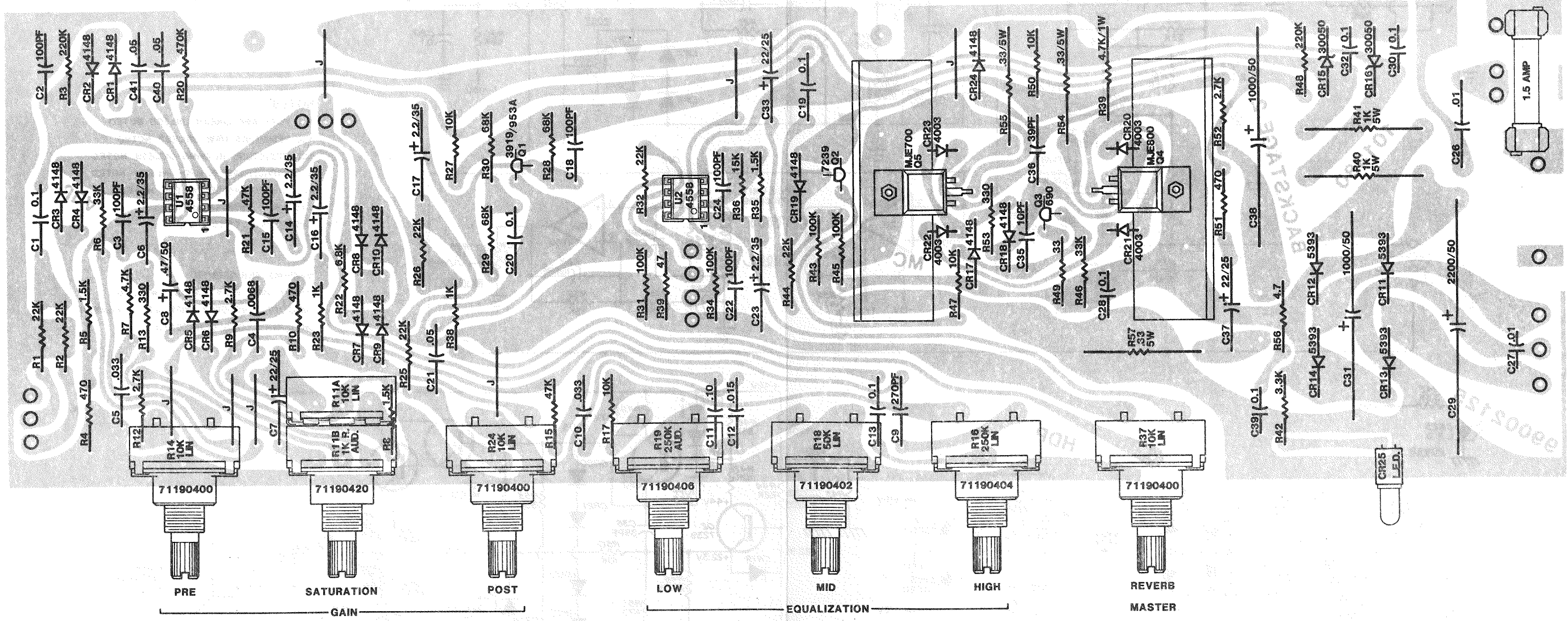
**BACKSTAGE 2**  
BD.#99002125

- NOTES**  
 ALL POTS ARE LINEAR UNLESS NOTED  
 ALL RESISTORS 1/4W UNLESS NOTED  
 ALL RESISTORS IN OHMS UNLESS NOTED  
 ALL CAPACITORS IN MFD UNLESS NOTED  
 ALL DIODES IN4148 UNLESS NOTED  
 LAST REF. DESIGNATOR USED:  
 R57 C41 CR25 Q5

**WARNING SERVICEMAN:**  
 POWER AMPLIFIER CIRCUIT WILL NOT  
 FUNCTION PROPERLY WITHOUT A SPEAKER  
 OR DUMMY LOAD CONNECTED.



PEAVEY ELECTRONICS CORP. MERIDIAN, MS.	
DRAWN BY <i>REA</i>	DATE 11/13/80
C.B. CHECK <i>REA</i>	
CHECK BY <i>Jed</i>	
APPR. BY <i>Jed</i>	



BACKSTAGE 2