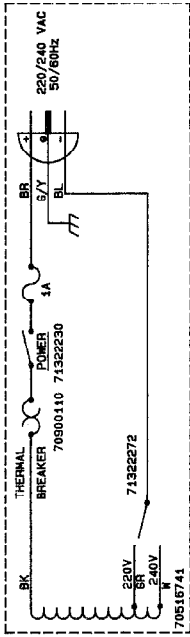
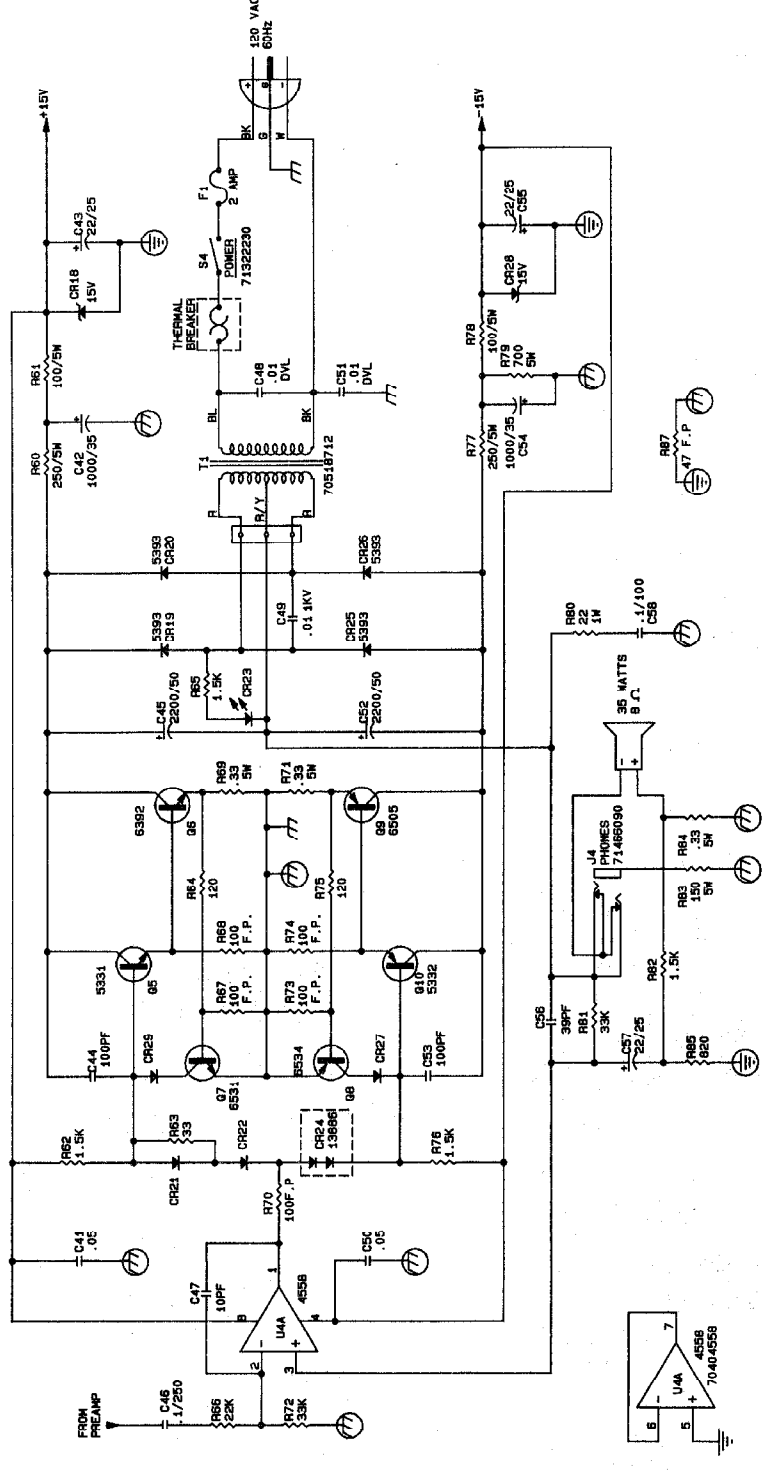


NOTES:
1. ALL RESISTORS 1/4W UNLESS NOTED
2. ALL RESISTORS IN OHMS UNLESS NOTED
3. ALL POTS ARE LINEAR UNLESS NOTED
4. ALL CAPACITORS IN MFD UNLESS NOTED
5. ALL CAPACITORS IN PFD UNLESS NOTED
6. ALL IDEAS MAY VARY FROM UNIT TO UNIT
7. LAST REFERENCE DESIGNATOR USED
8. PATENT PENDING

TRANSISTOR CROSS REFERENCE LIST

- 3008 - 70405575
- 5331 - 70405331
- 5332 - 70405332
- 5333 - 70405333
- 5334 - 70405334
- 5335 - 70405335
- 5336 - 70405336
- 5337 - 70405337
- 5338 - 70405338
- 5339 - 70405339
- 5340 - 70405340



NOTE

- UNLESS OTHERWISE SPECIFIED-
1. ALL DIODES ARE IN4148.
 2. ALL CAPACITORS ARE IN MICROFARADS.
 3. ALL RESISTORS ARE IN OHMS AND 1/4W
 4. ALL POTENTIOMETERS ARE LINEAR.
 5. \odot F DENOTES FEMALE MOLEX MOUNTED ON COMPONENT SIDE OF BOARD.
 6. \otimes F DENOTES FEMALE MOLEX MOUNTED ON BACK-SIDE OF BOARD.
 7. \otimes M DENOTES MALE MOLEX MOUNTED ON BACK-SIDE OF BOARD.

