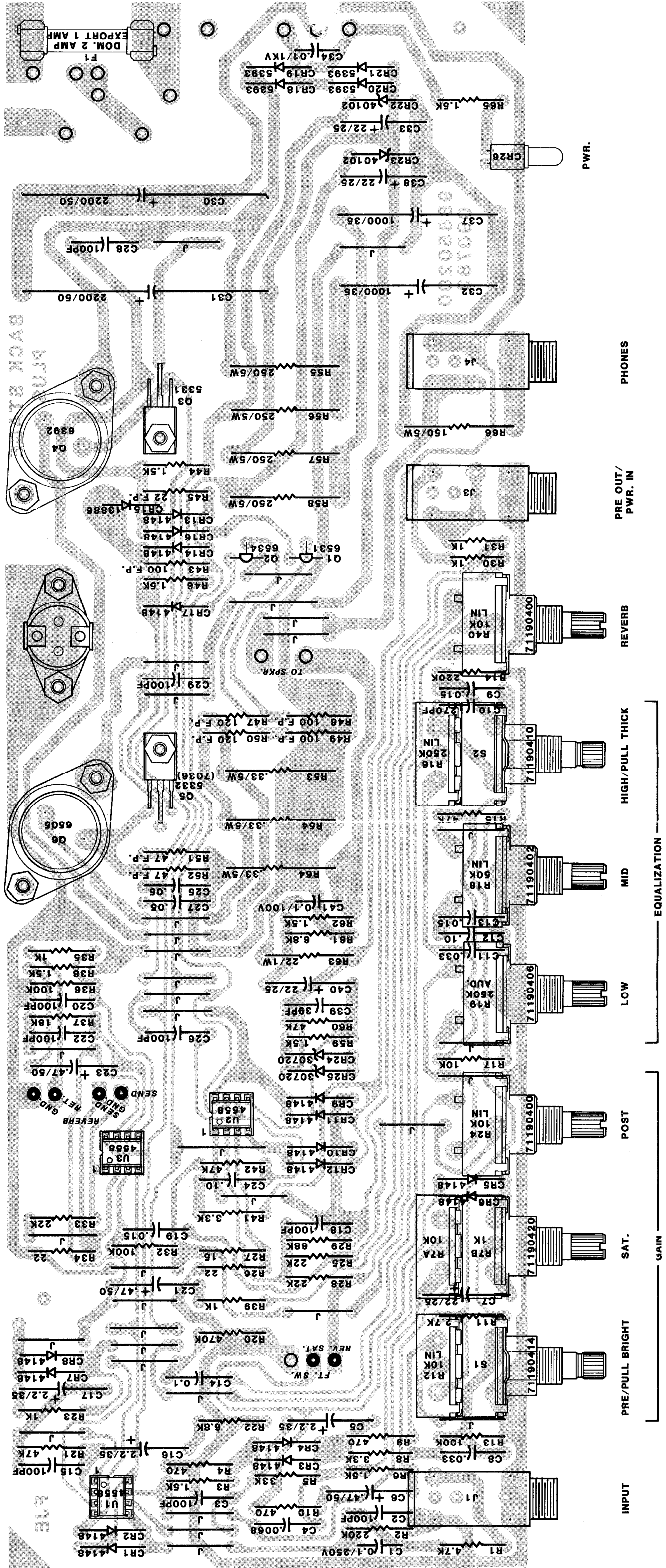


BACKSTAGE® PLUS

BD. # 98850200 (9/7/83)

- NOTES**
- ALL POTS ARE LINEAR UNLESS NOTED
 - ALL RESISTORS 1/4W UNLESS NOTED
 - ALL RESISTORS IN OHMS UNLESS NOTED
 - ALL CAPACITORS IN MFD UNLESS NOTED
 - LAST REF. DESIGNATOR USED:
 - R66 C41 CR25 S3 J4 Q6
 - BUILT UNDER U.S. PATENT NO. 4,405,832

REVISED 9/12/84 K&K
 PEAVEY ELECTRONICS CORP.
 MERIDIAN, MS.
 DRAWN BY K&K DATE 11/1/83
 C.B. CK. K&K
 C.K. BY R. Goss
 APPR. BY J. C. B.



BACKSTAGE® PLUS

EQUALIZATION — GAIN

INPUT

PRE/PULL BRIGHT

SAT.

POST

LOW

MID

HIGH/PULL THICK

REVERB

PRE OUT/
PWR. IN

PHONES

PWR.