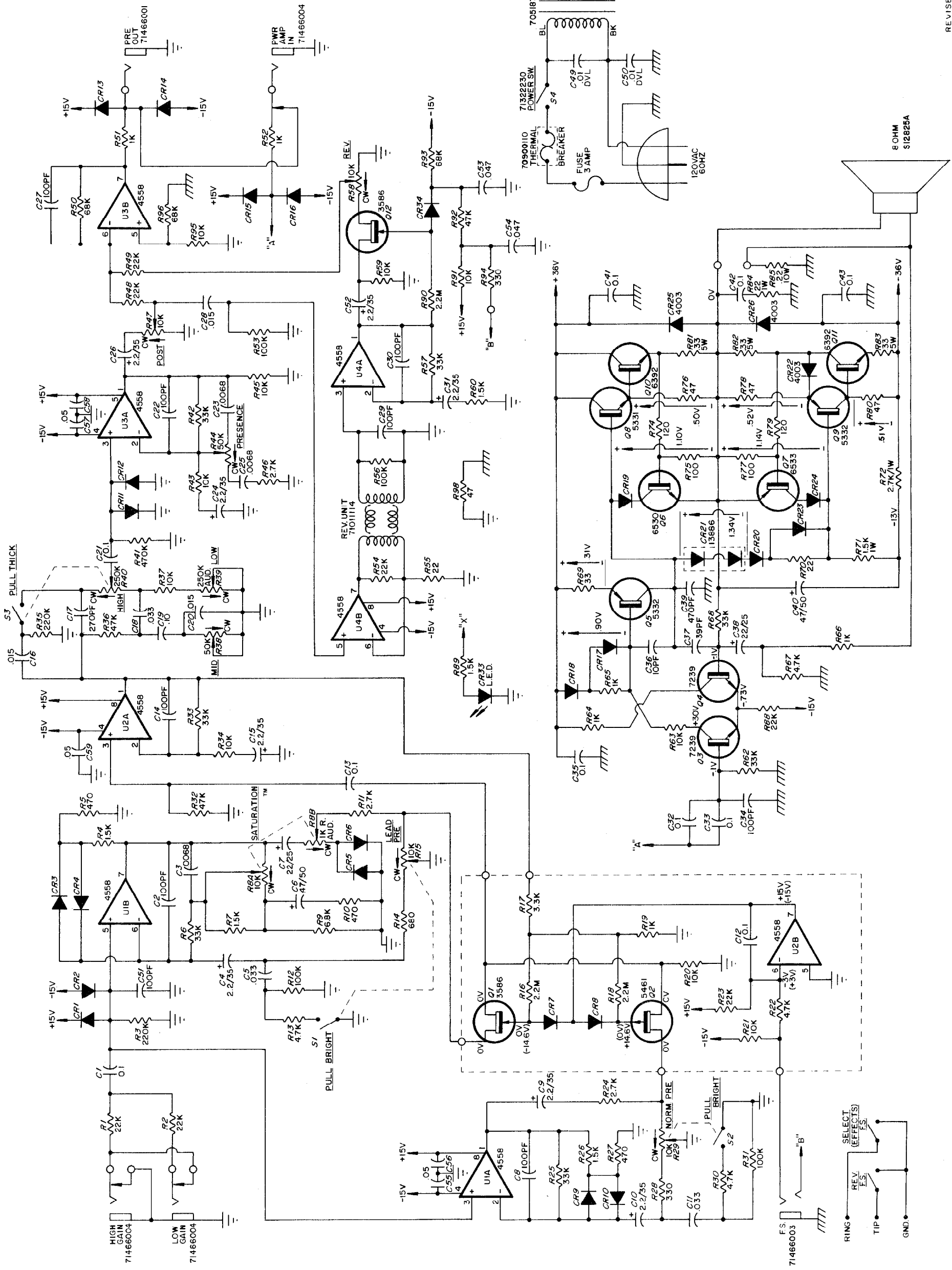


BANDIT
BD. # 9902135

NOTES
ALL POTS ARE LINEAR UNLESS NOTED
ALL RESISTORS 1/4W UNLESS NOTED
ALL RESISTORS IN OHMS UNLESS NOTED
ALL CAPACITORS IN MFD UNLESS NOTED
ALL DIODES IN4148 UNLESS NOTED
LAST REF. DESIGNATOR USED:
R98 C59 CR34 Q12 S4 U4
VOLTAGES IN () ARE WITH FOOTSWITCH CLOSED
VOLTAGES MAY VARY FROM UNIT TO UNIT
BUILT UNDER U.S. PATENT NO. 4,405,832
TRANSFORMER 70518712 REPLACES 70618064



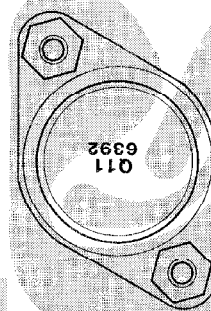
P/N 81501094
PEAVEY ELECTRONICS CORP.
MERIDIAN, MS.
DRAWN BY *[Signature]* DATE 10-21-80
C.B. CHECK *[Signature]*
CHECK BY *[Signature]*
APPR. BY *[Signature]*

REVISED 9/17/84 *[Signature]*
REVISED 4/8/81 *[Signature]*

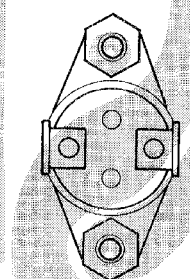
COPYRIGHT 1980 PEAVEY ELECTRONICS PRINTED IN U.S.A.

085T80

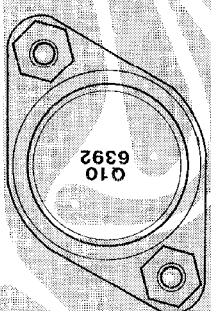
70450541



Q11 6392



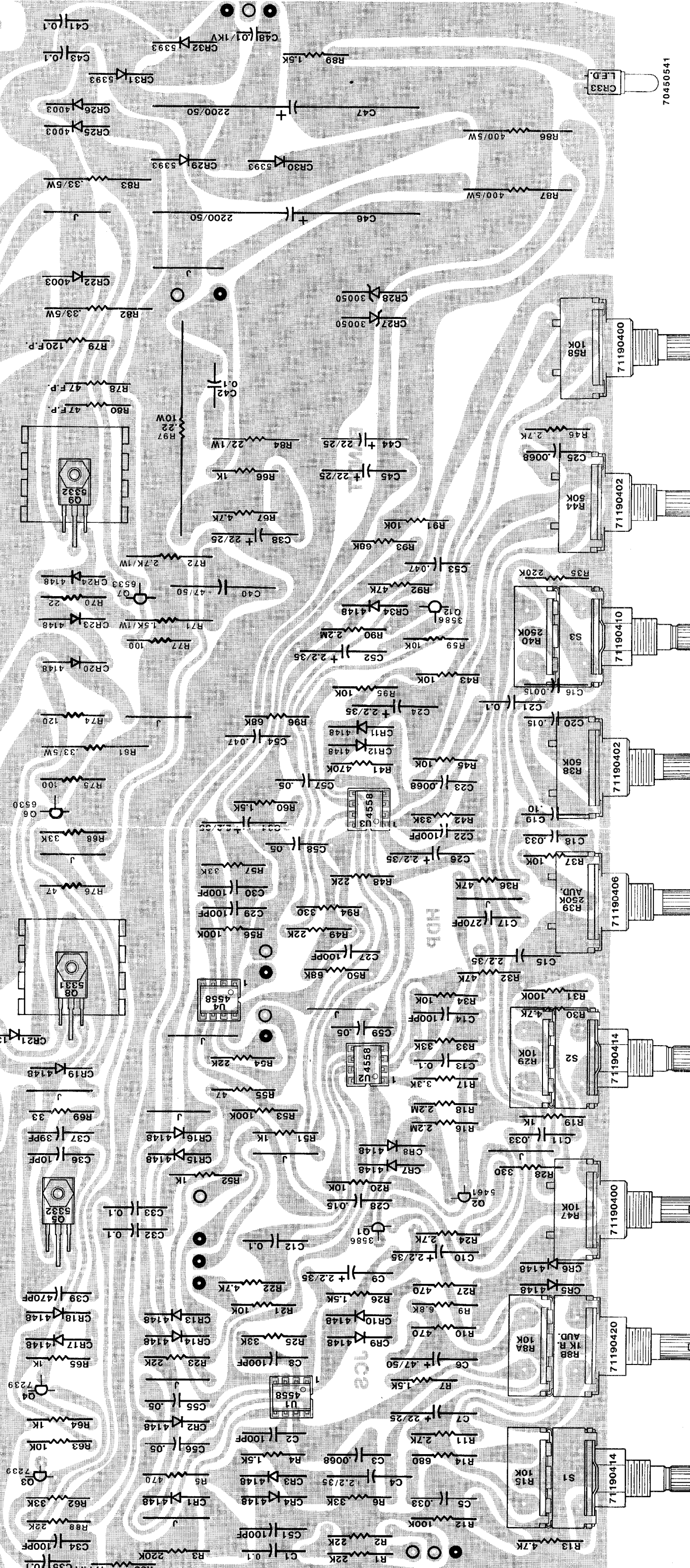
Q9 5332



Q10 6392



Q8 5331



REVERB MASTER

PRESENCE

HIGH/PULL THICK

EQUALIZATION

MID

LOW

PRE/PULL BRIGHT NORM. GAIN

POST

SATURATION™ LEAD GAIN

PRE/PULL BRIGHT

BANDIT®