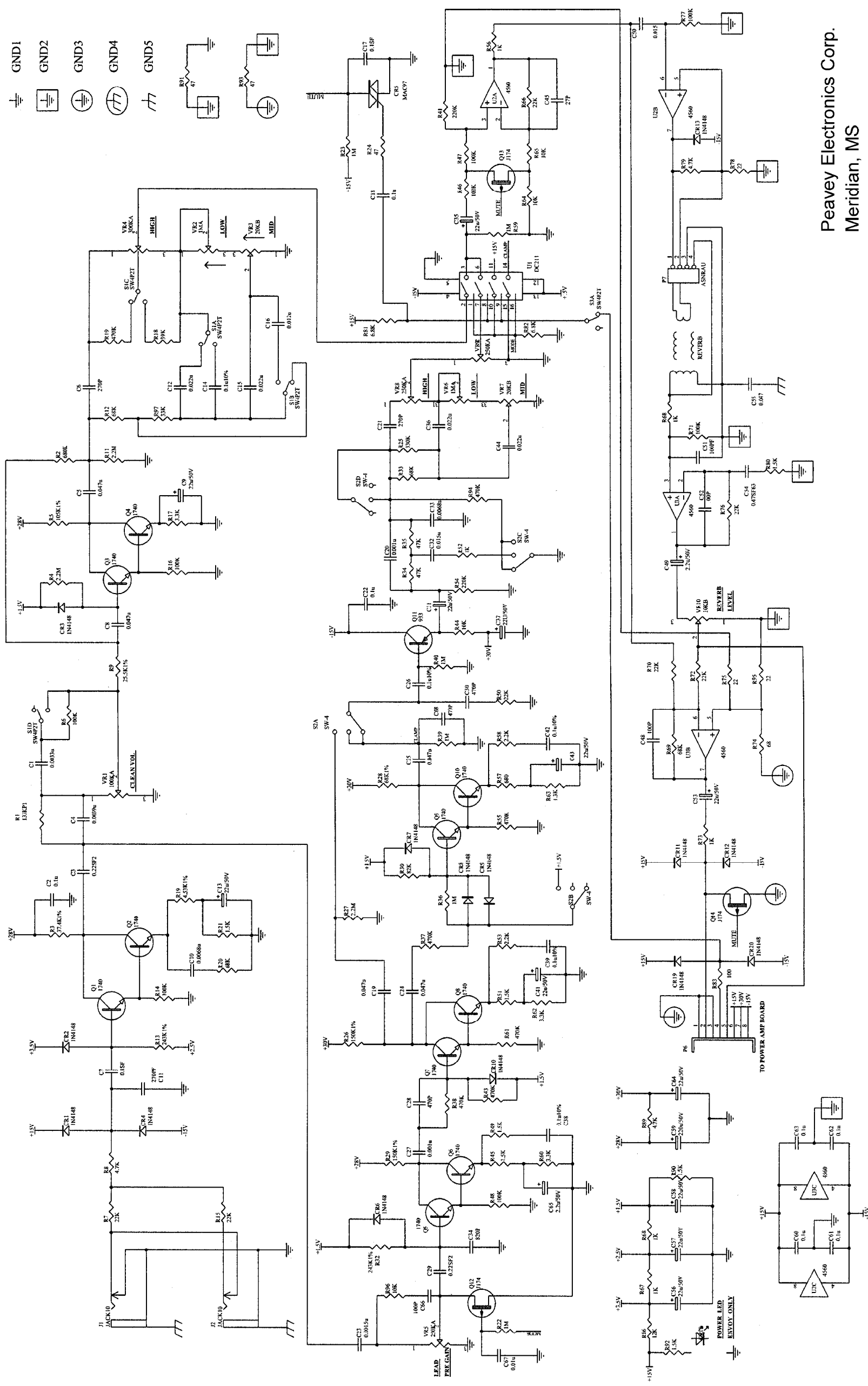


SCHEMATIC DIAGRAM

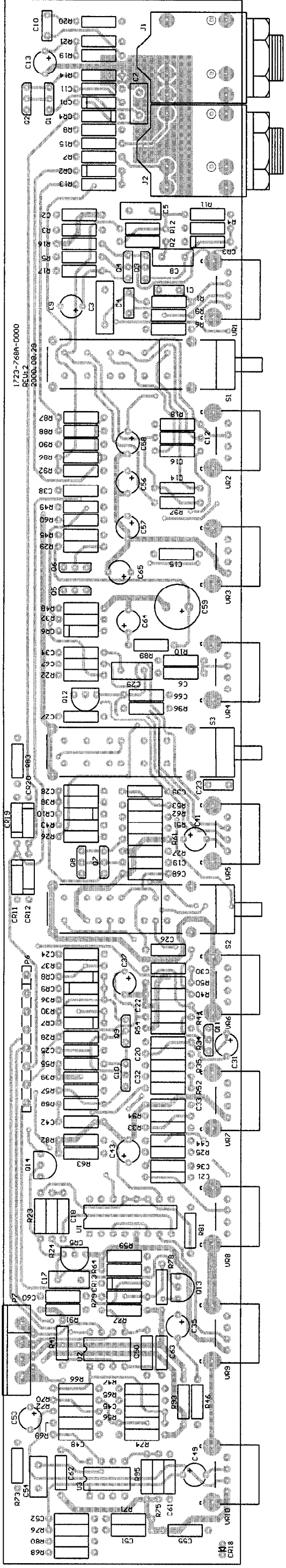
Pre AMP



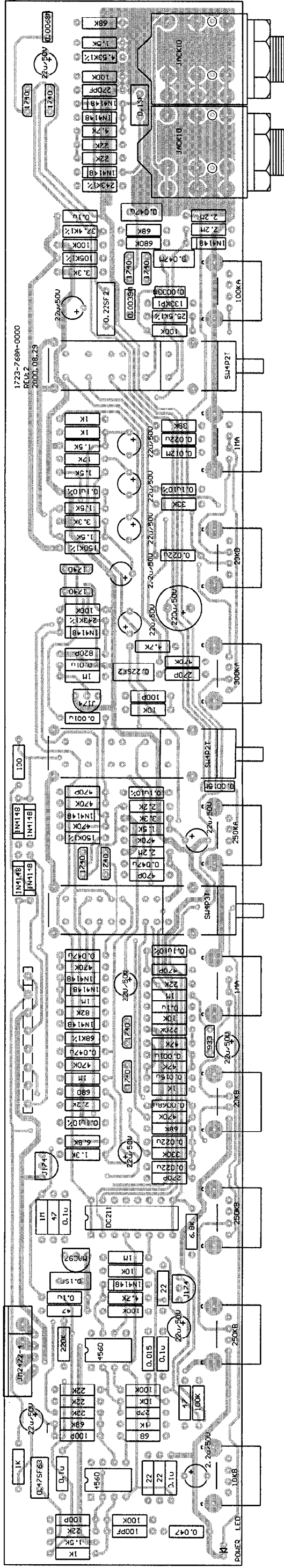
Peavey Electronics Corp.
Meridian, MS

PCB LAYOUT

Pre AMP PCB - Top Side

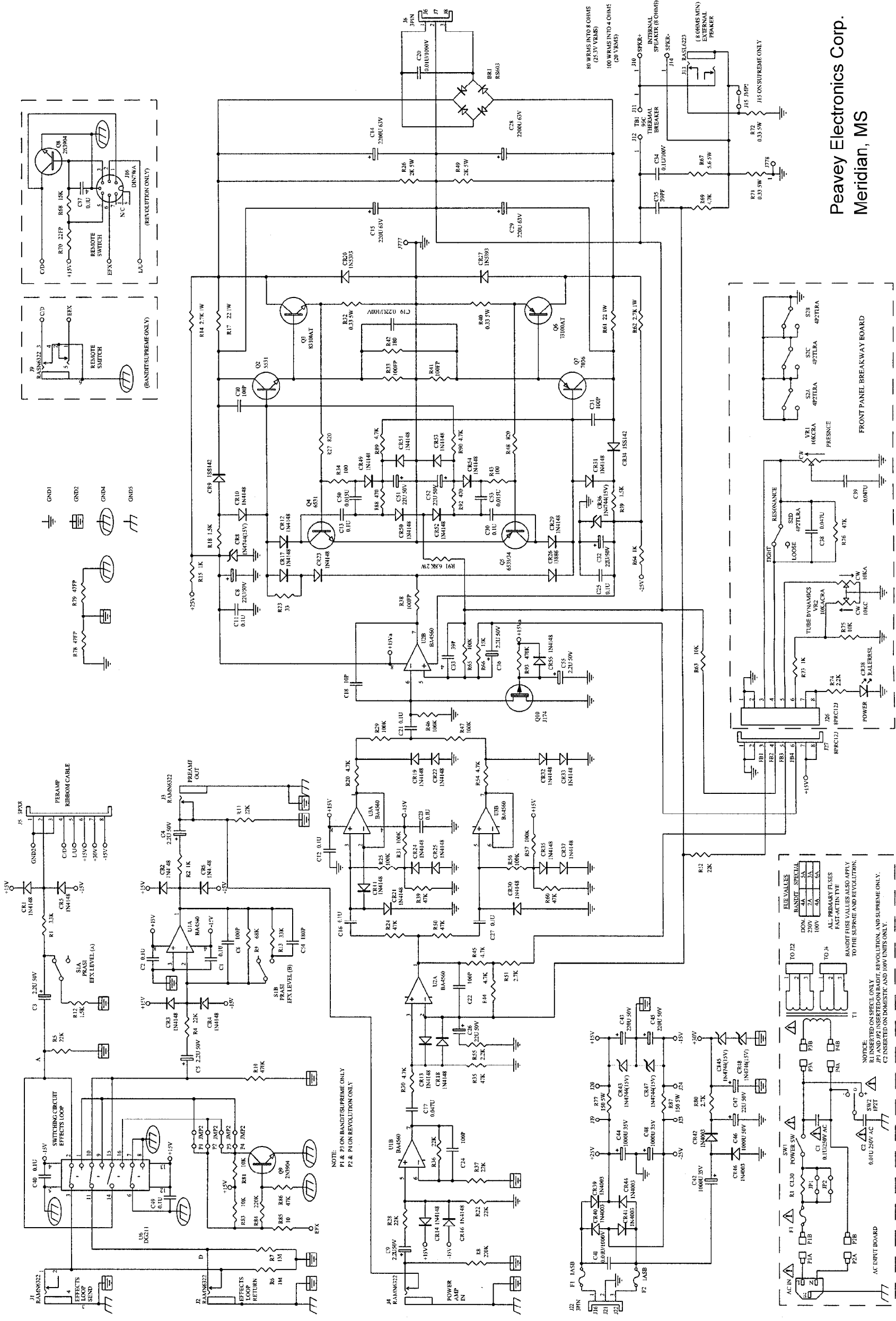


Pre AMP PCB - Value Side



SCHEMATIC DIAGRAM

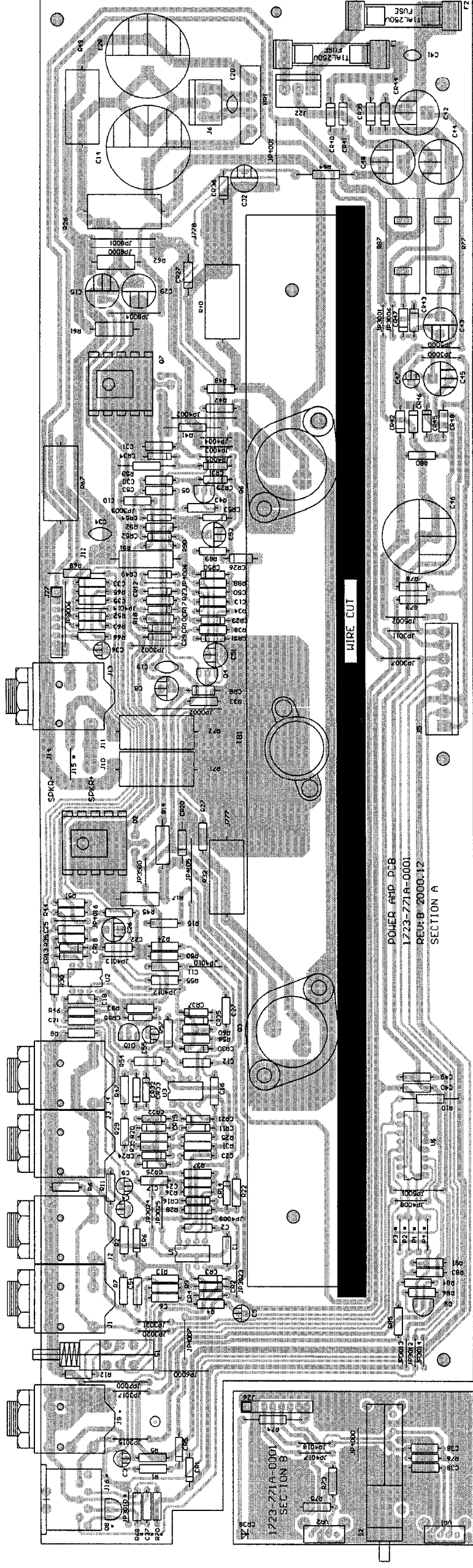
Power AMP



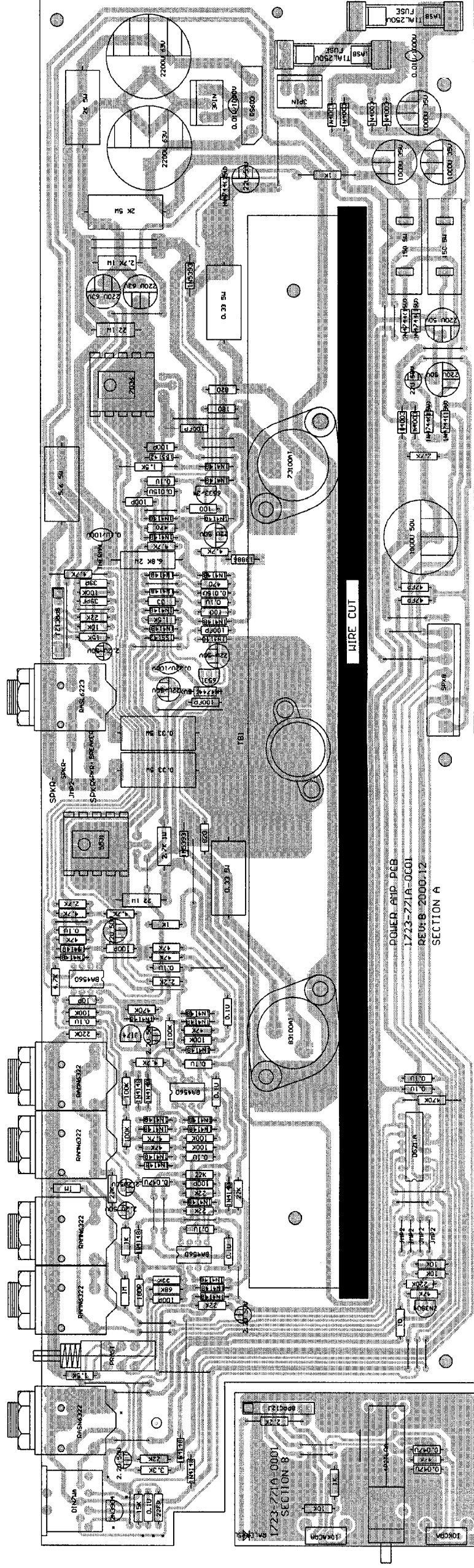
Peavey Electronics Corp.
Meridian, MS

PCB LAYOUT

Power AMP PCB - Top Side

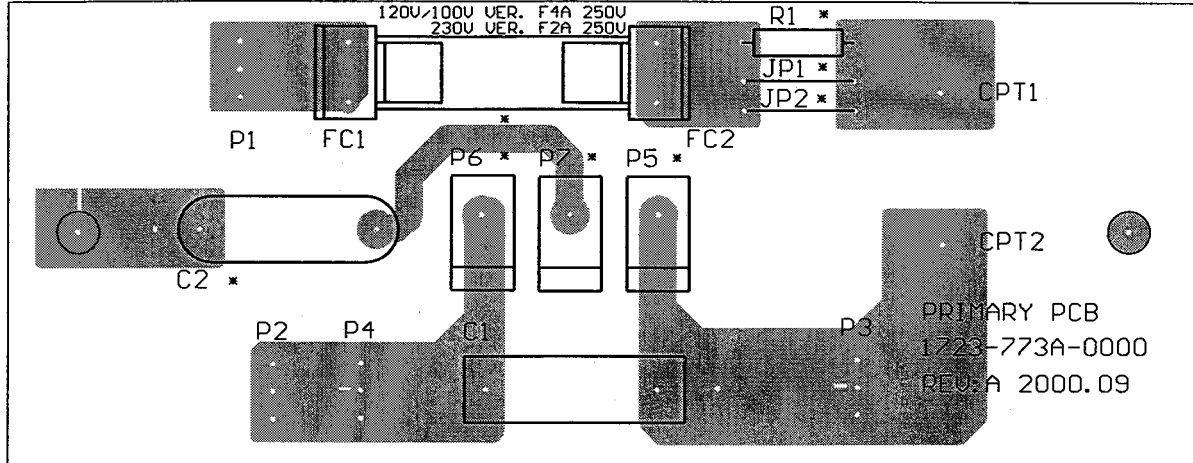


Power AMP PCB - Value Side



PCB LAYOUT

Primary PCB - Top Side



Primary PCB - Value Side

