

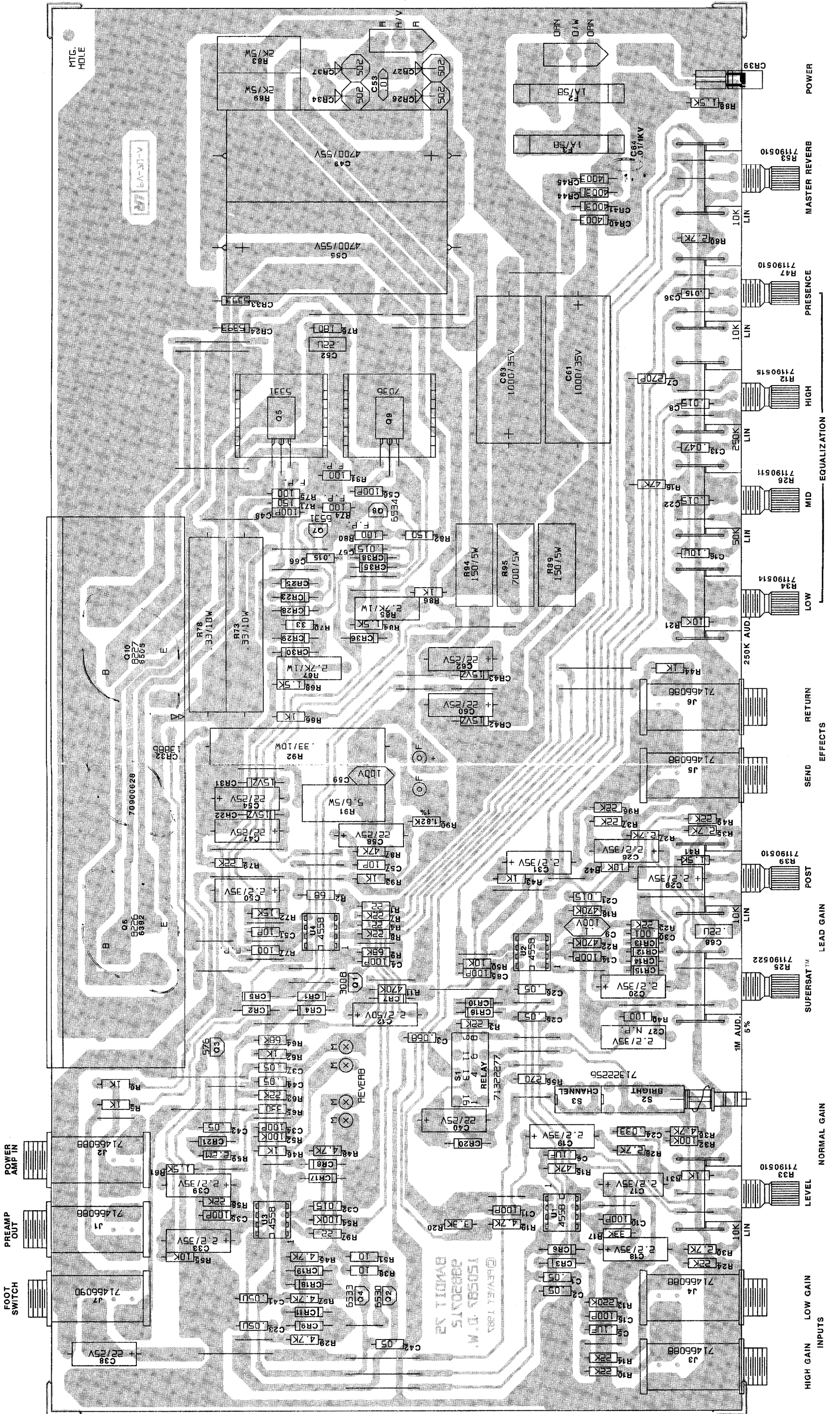
- TRANSISTOR CROSS REFERENCE LIST**
- 576 - 7040076
 - 5352 - 7040332
 - 6550 - 7040850
 - 6530 - 7040853
 - 6533 - 7040853
 - 6534 - 7040853
 - 7036 - 7040736

NOTES:
 RESISTORS 1/4W UNLESS NOTED
 ALL RESISTORS 5% UNLESS NOTED
 ALL POTS ARE LINEAR UNLESS NOTED
 ALL CAPACITORS IN MFD UNLESS NOTED
 ALL CAPACITORS IN UF UNLESS NOTED
 VOLTAGE RATINGS UNLESS NOTED
 PART REFERENCE DESIGNATOR USED
 PATENT PENDING

BANDIT 75
 BD.# 98850712 (12-2-87)

PEAVEY ELECTRONICS CORP.
 711 A ST.
 MERIDIAN, MS
 DRAWN BY: [Signature]
 C.B. CK [Signature]
 DATE: 3-21-88
 CK BY: [Signature]
 APPR. BY: [Signature]

BANDIT 75



MTG. HOLE



150593 D.W. 3082015
BANDIT 75

POWER
MASTER REVERB
PRESENCE
HIGH
MID
LOW
RETURN
SEND
POST
LEAD GAIN
NORMAL GAIN
LEVEL
LOW GAIN
HIGH GAIN
INPUTS