

ASSEMBLY NAME
BANDIT TRANSTUBE
SUPREME TRANSTUBE

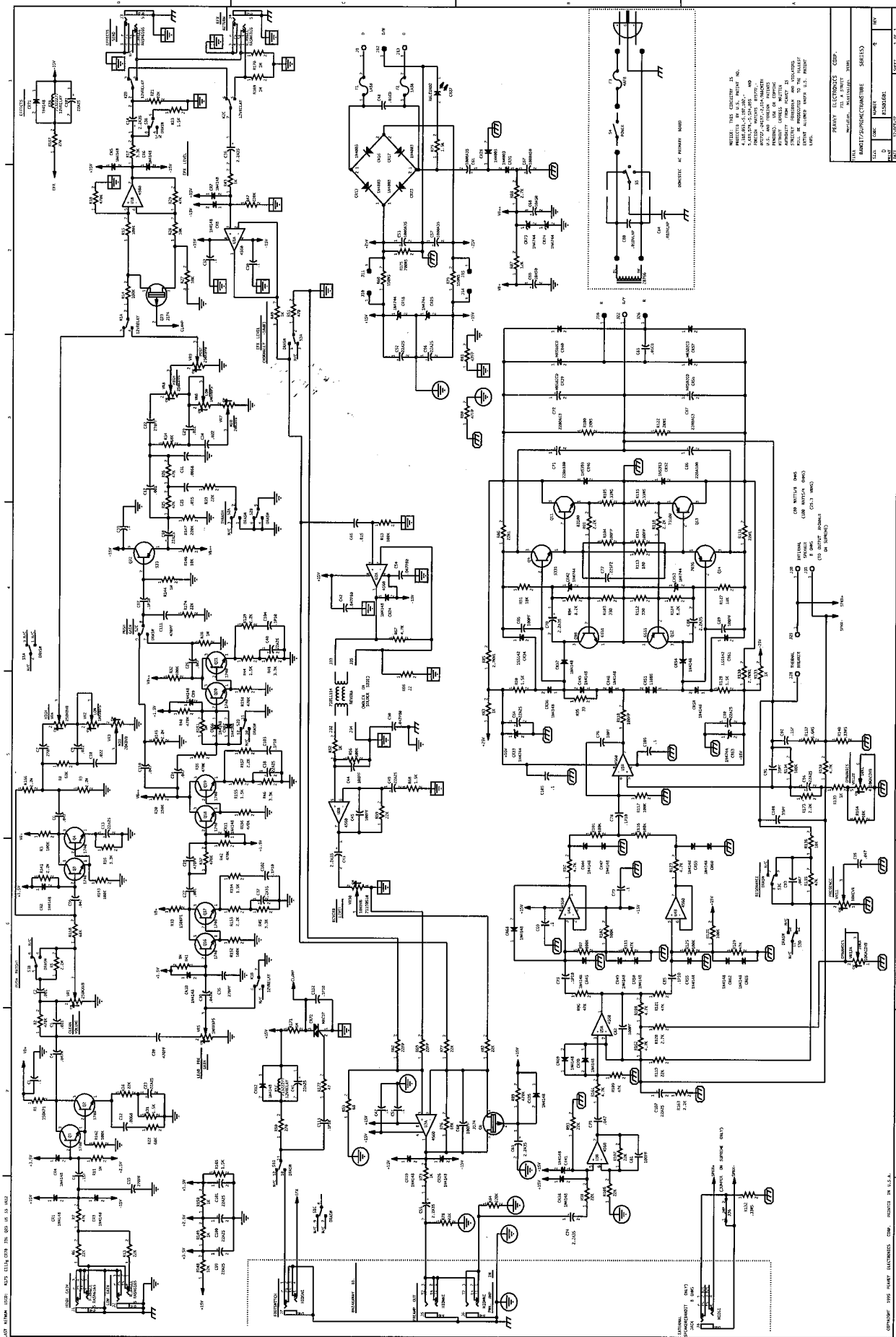
On Supreme Transtube assembly:

XX J30 - yellow, 18 GA., 7' P/N 91090115

△ J31 - blue, 18 GA., 7' P/N 91090114

✱ DO NOT INSERT J36 FOR BANDIT TRANSTUBE

✱✱ DO NOT INSERT J8 FOR SUPREME TRANSTUBE



1. THIS SCHEMATIC IS THE PROPERTY OF THE COMPANY AND IS NOT TO BE REPRODUCED OR TRANSMITTED IN ANY FORM OR BY ANY MEANS, ELECTRONIC OR MECHANICAL, INCLUDING PHOTOCOPYING, RECORDING, OR BY ANY INFORMATION STORAGE AND RETRIEVAL SYSTEM.

REV	DATE	BY	CHK
1	10/15/78	J. SMITH	M. JONES
2	11/05/78	J. SMITH	M. JONES
3	12/10/78	J. SMITH	M. JONES
4	01/20/79	J. SMITH	M. JONES
5	02/15/79	J. SMITH	M. JONES
6	03/10/79	J. SMITH	M. JONES
7	04/05/79	J. SMITH	M. JONES
8	05/01/79	J. SMITH	M. JONES
9	06/01/79	J. SMITH	M. JONES
10	07/01/79	J. SMITH	M. JONES
11	08/01/79	J. SMITH	M. JONES
12	09/01/79	J. SMITH	M. JONES
13	10/01/79	J. SMITH	M. JONES
14	11/01/79	J. SMITH	M. JONES
15	12/01/79	J. SMITH	M. JONES

100% TESTED
 100% BURNED IN
 100% CHECKED
 100% OK

COMPANY OF THE ELECTRONIC INDUSTRY
 12345 MAIN STREET
 ANYTOWN, CA 90000
 TEL: (415) 555-1234

QTY.	NAME	VALUE	PART NUMBER	DESCRIPTION AND DEVICE DESIGNATIONS	PART NUMBER	BOARD NAME: BMD11T
1	.1	.1	70340100	1M-80-20-50VDC-MX-TKR	70340100	2.2MFD 35VDC LY CAP TKR
1	.001	.001	70340000	.001M-10-50VDC-MON-TKR	70340000	1M4148 75V 10MA SILICON DIODE
1	.047M	.047M	70340316	.047M 5% 50VDC WY TKA	70340316	1M4148 75V 10MA SILICON DIODE
1	.001	.001	70340000	.001M-10-50VDC-MON-TKR	70340000	1000 MFD 35VDC LY CAP
1	.047	.047	70340017	.047M-10-50VDC-MON-TKR	70340017	1000 MFD 35VDC LY CAP
1	270PF	270PF	70340057	.047M-10-50VDC-MON-TKR	70340057	1000 MFD 35VDC LY CAP
1	.15F	.15F	70340012	0.15MFD 10V 10V STCK FILM TKA	70340012	2.2MFD 35VDC LY CAP TKR
2	.022	.022	70340012	.022M-10-50VDC-MON-TKR	70340012	2.2MFD 35VDC LY CAP TKR
1	.0068	.0068	70340008	.0068M-10-50VDC-MON-TKR	70340008	2.2MFD 35VDC LY CAP TKR
1	2.2K25	2.2K25	70340012	C12 2.2K 20K 25VDC EL AXL	70340012	2.2MFD 35VDC LY CAP TKR
1	2.2K35	2.2K35	70340010	C13 2.2K 20K 35VDC EL AXL	70340010	2.2MFD 35VDC LY CAP TKR
1	2.2K35	2.2K35	70340010	C14 2.2K 20K 35VDC EL AXL	70340010	2.2MFD 35VDC LY CAP TKR
1	270PF	270PF	70340057	C15 270PF 10-50VDC-MON-TKR	70340057	2.2MFD 35VDC LY CAP TKR
1	.001	.001	70340000	C16 1M-80-20-50VDC-MX-TKR	70340000	2.2MFD 35VDC LY CAP TKR
1	.1	.1	70340100	C17 1M-80-20-50VDC-MX-TKR	70340100	2.2MFD 35VDC LY CAP TKR
1	470PF	470PF	70340058	C18 470PF 10-50VDC-MON-TKR	70340058	2.2MFD 35VDC LY CAP TKR
1	2.2K25	2.2K25	70340012	C19 2.2K 20K 25VDC EL AXL	70340012	2.2MFD 35VDC LY CAP TKR
1	.047	.047	70340017	C20 .047M-10-50VDC-MON-TKR	70340017	2.2MFD 35VDC LY CAP TKR
1	.015	.015	70340010	C21 .015M-10-50VDC-MON-TKR	70340010	2.2MFD 35VDC LY CAP TKR
1	.047	.047	70340017	C22 .047M-10-50VDC-MON-TKR	70340017	2.2MFD 35VDC LY CAP TKR
1	.001	.001	70340000	C23 1M-80-20-50VDC-MX-TKR	70340000	2.2MFD 35VDC LY CAP TKR
1	470PF	470PF	70340058	C24 470PF 10-50VDC-MON-TKR	70340058	2.2MFD 35VDC LY CAP TKR
1	.022	.022	70340012	C25 .022M-10-50VDC-MON-TKR	70340012	2.2MFD 35VDC LY CAP TKR
1	.047M	.047M	70340316	C26 .047M 5% 50VDC WY TKA	70340316	2.2MFD 35VDC LY CAP TKR
1	.0068	.0068	70340008	C27 .0068M-10-50VDC-MON-TKR	70340008	2.2MFD 35VDC LY CAP TKR
1	.1	.1	70340100	C28 1M-80-20-50VDC-MX-TKR	70340100	2.2MFD 35VDC LY CAP TKR
1	.022	.022	70340012	C29 .022M-10-50VDC-MON-TKR	70340012	2.2MFD 35VDC LY CAP TKR
1	270PF	270PF	70340057	C30 270PF 10-50VDC-MON-TKR	70340057	2.2MFD 35VDC LY CAP TKR
1	2.2K35	2.2K35	70340010	C31 2.2K 20K 35VDC EL AXL	70340010	2.2MFD 35VDC LY CAP TKR
1	2.2K25	2.2K25	70340012	C32 2.2K 20K 25VDC EL AXL	70340012	2.2MFD 35VDC LY CAP TKR
1	.1	.1	70340100	C33 1M-80-20-50VDC-MX-TKR	70340100	2.2MFD 35VDC LY CAP TKR
1	2.2K25	2.2K25	70340012	C34 2.2K 20K 25VDC EL AXL	70340012	2.2MFD 35VDC LY CAP TKR
1	.01C	.01C	70340016	C35 .01M-80-20-50VDC-MX-TKR	70340016	2.2MFD 35VDC LY CAP TKR
1	.047F80	.047F80	70340016	C36 .047M-80-20-50VDC-MON-TKR	70340016	2.2MFD 35VDC LY CAP TKR
1	2.2K35	2.2K35	70340010	C37 2.2K 20K 35VDC EL AXL	70340010	2.2MFD 35VDC LY CAP TKR
1	2.2K25	2.2K25	70340012	C38 2.2K 20K 25VDC EL AXL	70340012	2.2MFD 35VDC LY CAP TKR
1	.1	.1	70340100	C39 1M-80-20-50VDC-MX-TKR	70340100	2.2MFD 35VDC LY CAP TKR
1	2.2K25	2.2K25	70340012	C40 2.2K 20K 25VDC EL AXL	70340012	2.2MFD 35VDC LY CAP TKR
1	.047F80	.047F80	70340016	C41 .047M-80-20-50VDC-MON-TKR	70340016	2.2MFD 35VDC LY CAP TKR
1	2.2K35	2.2K35	70340010	C42 2.2K 20K 35VDC EL AXL	70340010	2.2MFD 35VDC LY CAP TKR
1	2.2K25	2.2K25	70340012	C43 2.2K 20K 25VDC EL AXL	70340012	2.2MFD 35VDC LY CAP TKR
1	100PF	100PF	70340034	C44 100PF 10-50VDC-MON-TKR	70340034	2.2MFD 35VDC LY CAP TKR
1	.015	.015	70340010	C45 .015M-10-50VDC-MON-TKR	70340010	2.2MFD 35VDC LY CAP TKR
1	.1	.1	70340100	C46 1M-80-20-50VDC-MX-TKR	70340100	2.2MFD 35VDC LY CAP TKR
1	.01C	.01C	70340016	C47 .01M-80-20-50VDC-MX-TKR	70340016	2.2MFD 35VDC LY CAP TKR
1	2.2K25	2.2K25	70340012	C48 2.2K 20K 25VDC EL AXL	70340012	2.2MFD 35VDC LY CAP TKR
1	.047F80	.047F80	70340016	C49 .047M-80-20-50VDC-MON-TKR	70340016	2.2MFD 35VDC LY CAP TKR
1	.1	.1	70340100	C50 1M-80-20-50VDC-MX-TKR	70340100	2.2MFD 35VDC LY CAP TKR
1	2.2K25	2.2K25	70340012	C51 2.2K 20K 25VDC EL AXL	70340012	2.2MFD 35VDC LY CAP TKR
1	1000K35	1000K35	70340038	C52 1000MFD 35VDC LY CAP	70340038	2.2MFD 35VDC LY CAP TKR
1	.047F80	.047F80	70340016	C53 .047M-80-20-50VDC-MON-TKR	70340016	2.2MFD 35VDC LY CAP TKR
1	1000K35	1000K35	70340038	C54 1000MFD 35VDC LY CAP	70340038	2.2MFD 35VDC LY CAP TKR