

FOOT SWITCHES:
 71322201 = SPST PUSH ON/OFF
 71322205 = SPDT SELECT SWITCH

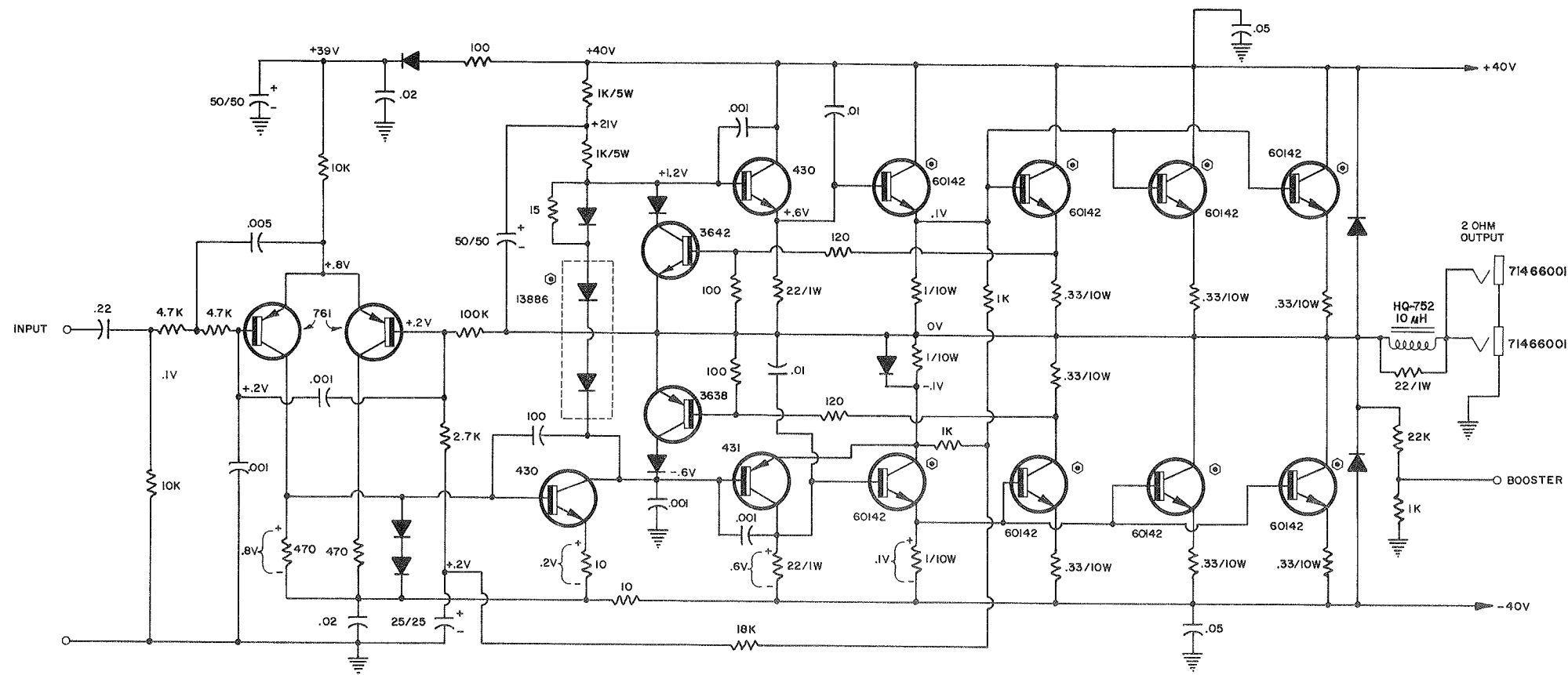
POTENTIOMETERS:
 71190007 = 10K HPC LIN
 71190008 = 50K HPC LIN
 71190027 = 250K R LOG

NOTE:
 ALL TRANSISTORS SPS 953 UNLESS NOTED
 ALL RESISTORS 1/2W UNLESS NOTED
 ALL CAPACITORS IN MFD UNLESS NOTED
 ALL DIODES IA 200PIV UNLESS NOTED
 NUMBERED CIRCLES DENOTE FEMALE FOOTSWITCH
 PIN NUMBERS
 ALL DIODES LABELED G INDICATES IN34A
 6 PIN DIN F/S SOCKET 71466018

SEMICONDUCTOR CROSS REFERENCE LIST:
 953 — 2N 3391A
 690 — 2N 4249

**BASS 400 PREAMP
 B-SERIES**

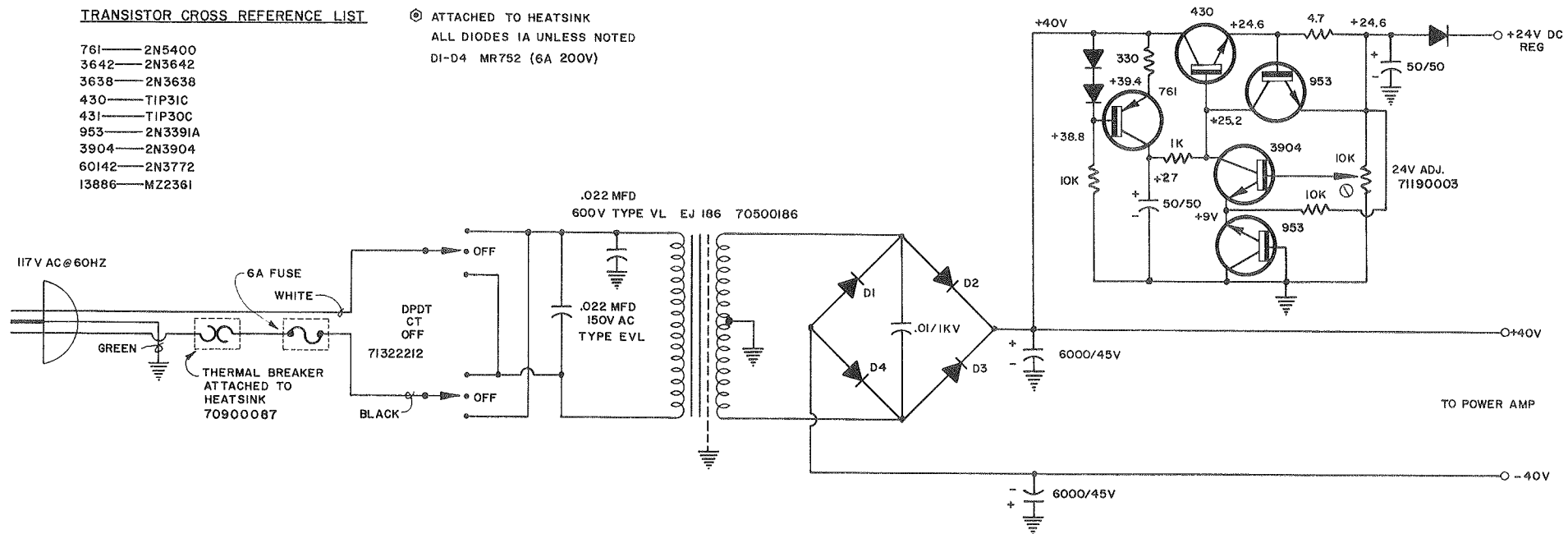
PEAVEY[®] ELECTRONICS CORP.
 MERIDIAN MISS
 DRAWN BY *[Signature]* DATE 2-7-74
 CHECKED BY *[Signature]*
 APPROVED BY *[Signature]*



TRANSISTOR CROSS REFERENCE LIST

- 761 — 2N5400
- 3642 — 2N3642
- 3638 — 2N3638
- 430 — TIP31C
- 431 — TIP30C
- 953 — 2N3391A
- 3904 — 2N3904
- 60142 — 2N3772
- 13886 — MZ2361

⊙ ATTACHED TO HEATSINK
 ALL DIODES 1A UNLESS NOTED
 DI-D4 MR752 (6A 200V)



400 MODULE B-SERIES
 P/N 81505036