

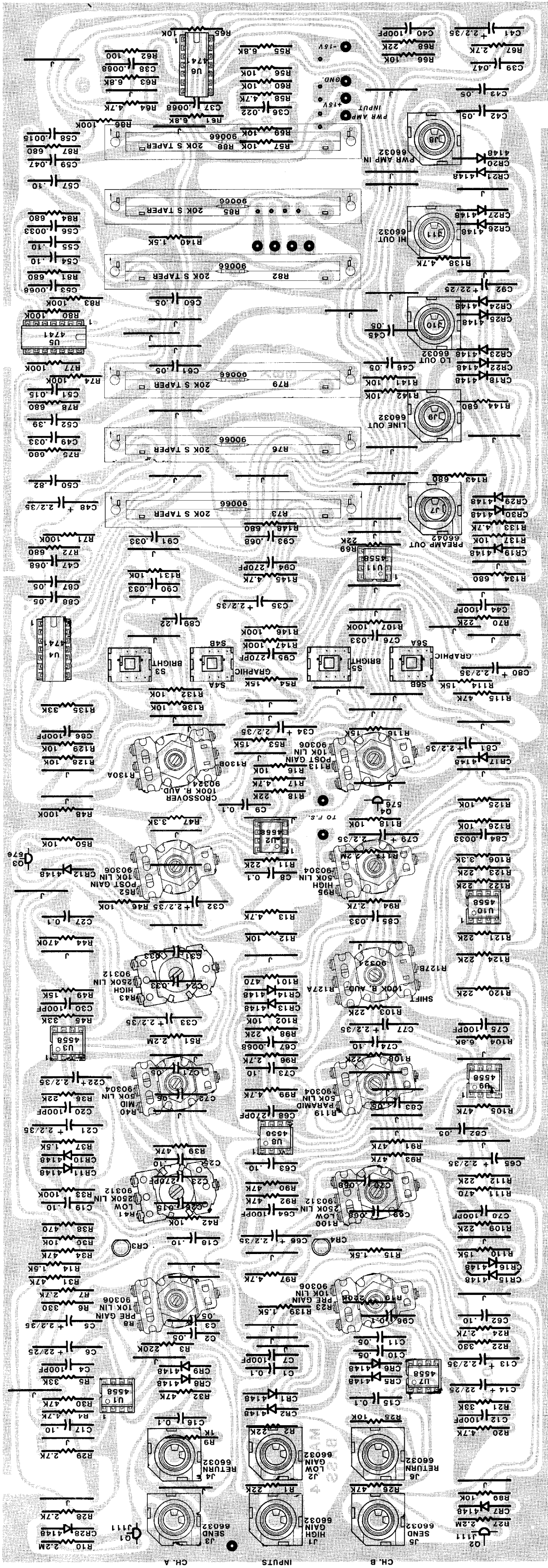
NOTES
 ALL POTS ARE LINEAR UNLESS NOTED
 ALL RESISTORS Ω UNLESS NOTED
 ALL RESISTORS IN OHMS UNLESS NOTED
 ALL CAPACITORS IN MFD UNLESS NOTED
 ALL DIODES IN4148 UNLESS NOTED
 LAMP REF. DESIGNATOR USED:
 R148 C96 CR30 Q4 S6 J11 U11
 CIRCUITRY PATENTS APPLIED FOR OR PENDING
 * USES 4008B MODULE

MARK IV BASS *

BD.# 988100001 (9/23/82)

PEAVEY ELECTRONICS CORP.
 MERIDIAN, MS.
 DRAWN BY *RAC* DATE 11/1/82
 C.B. CK. *RAC*
 CK. BY *RAC*
 APPR. BY *RAC*

P/N 81515005

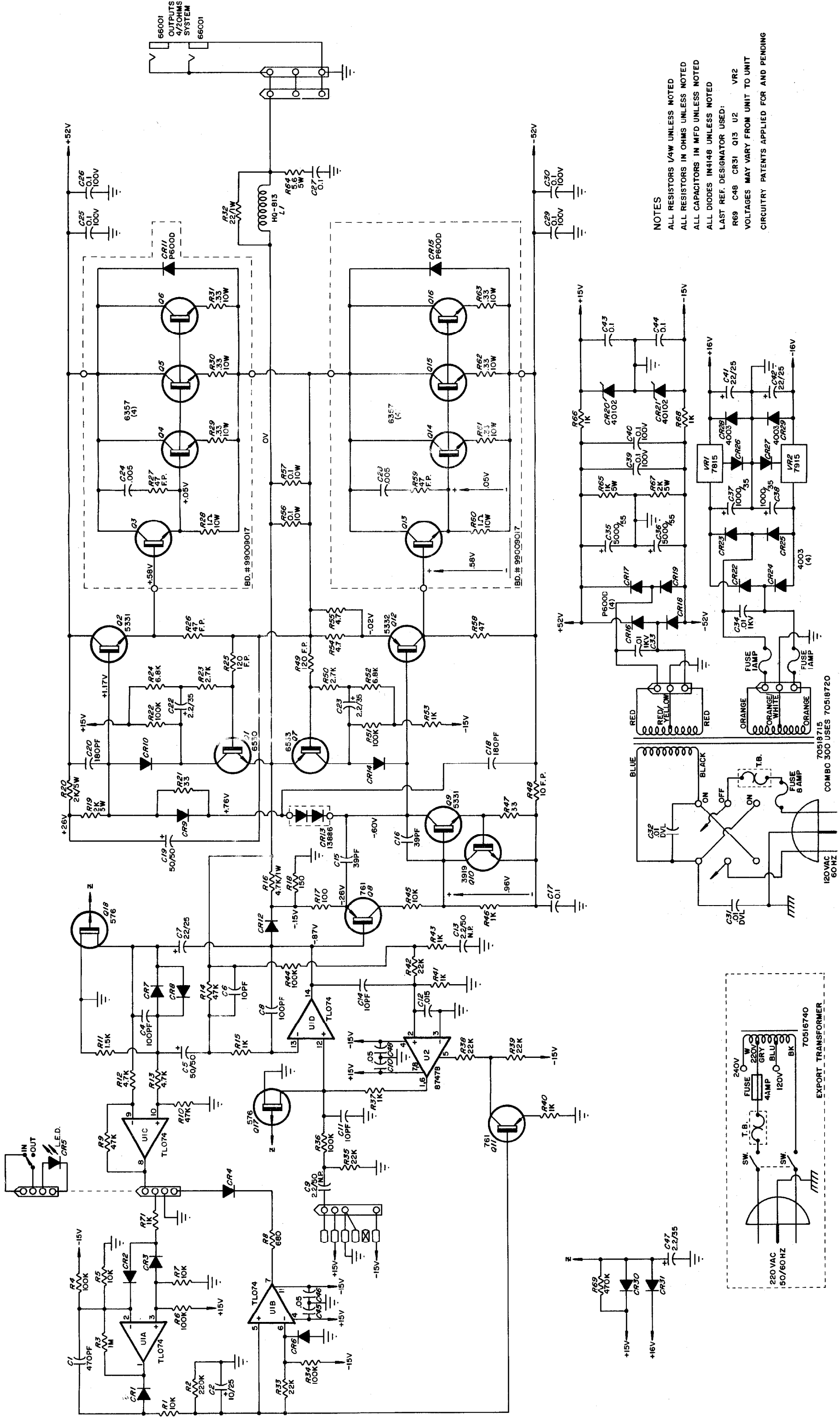


MARK IV BASS

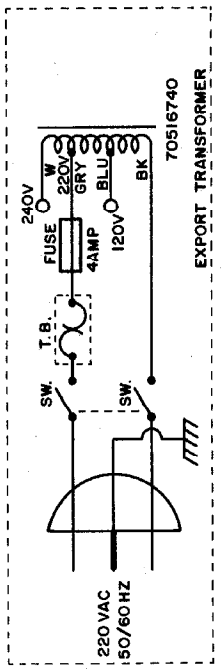
CH. A

INPUTS

CH. B



NOTES
 ALL RESISTORS 1/4W UNLESS NOTED
 ALL CAPACITORS IN MFD UNLESS NOTED
 ALL DIODES IN 4148 UNLESS NOTED
 LAST REF. DESIGNATOR USED:
 R69 C48 CR31 Q13 U2 VR2
 VOLTAGES MAY VARY FROM UNIT TO UNIT
 CIRCUITRY PATENTS APPLIED FOR AND PENDING

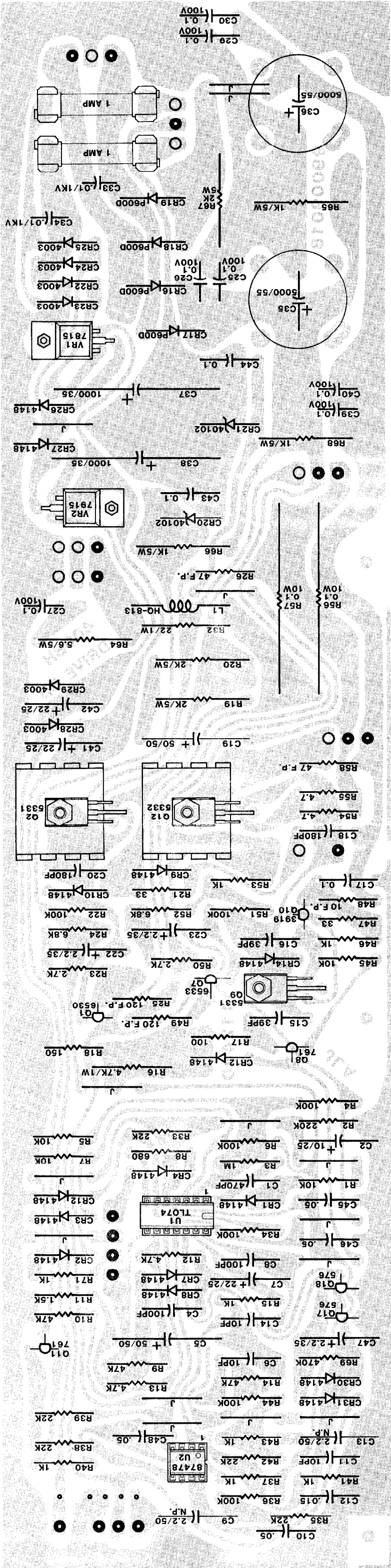


REVISED 2/23/83 R24
 PEAVEY ELECTRONICS CORP.
 MERIDIAN, MS.
 DRAWN BY ~~RS~~ DATE 2-16-81
 C.B. CHECK ~~RS~~
 CHECK BY ~~RS~~
 APPR. BY ~~RS~~

400BH MODULE
 BD.#99009018
 (11/24/80)

P/N 81505000

COPYRIGHT 1981 PRINTED IN U.S.A.



400BH DRIVE BD.

