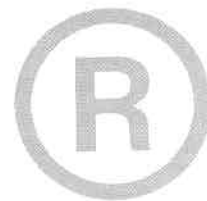


# OPERATING GUIDE

**CS<sup>®</sup> 800**

**Stereo Power Amplifier**





Intended to alert the user to the presence of uninsulated “dangerous voltage” within the product’s enclosure that may be of sufficient magnitude to constitute a risk of electric shock to persons.



Intended to alert the user to the presence of important operating and maintenance (servicing) instructions in the literature accompanying the product.

**CAUTION** Risks of electrical shock — DO NOT OPEN

**CAUTION** To reduce the risk of electric shock, do not remove cover. No user serviceable parts inside. Refer Servicing to qualified service personnel.

**WARNING** To prevent electrical shock or fire hazard, do not expose this appliance to rain or moisture. Before using this appliance, read the operating guide for further warnings.

---



Este símbolo tiene el propósito de alertar al usuario de la presencia de instrucciones importantes sobre la operación y mantenimiento en la literatura que viene con el producto.



Este símbolo tiene el propósito de alertar al usuario de la presencia de “(voltaje) peligroso” que no tiene aislamiento dentro de la caja del producto que puede tener una magnitud suficiente como para constituir riesgo de corrientazo.

**PRECAUCION** Riesgo de corrientazo - No abra.

**PRECAUCION** Para disminuir el riesgo de corrientazo, no abra la cubierta. No hay piezas adentro que el usuario pueda reparar. Deje todo mantenimiento a los técnicos calificados.

**ADVERTENCIA** Para evitar corrientazos o peligro de incendio, no deje expuesto a la lluvia o humedad este aparato. Antes de usar este aparato, lea más advertencias en la guía de operación.

---



Ce symbole est utilisé pour indiquer à l'utilisateur qu'il ou qu'elle trouvera d'importantes instructions sur l'utilisation et l'entretien (service) de l'appareil dans la littérature accompagnant le produit.



Ce symbole est utilisé pour indiquer à l'utilisateur la présence à l'intérieur de ce produit de tension non-isolée dangereuse pouvant être d'intensité suffisante pour constituer un risque de choc électrique.

**ATTENTION** Risques de choc électrique — NE PAS OUVRIR!

**ATTENTION** Afin de réduire le risque de choc électrique, ne pas enlever le couvercle. Il ne se trouve à l'intérieur aucune pièce pouvant être réparée par l'utilisateur. Confier l'entretien à un personnel qualifié.

**AVERTISSEMENT** Afin de prévenir les risques de décharge électrique ou de feu, n'exposez pas cet appareil à la pluie ou à l'humidité. Avant d'utiliser cet appareil, lisez les avertissements supplémentaires situés dans le guide d'utilisation.

---



Dieses Symbol soll den Benutzer auf wichtige Instruktionen in der Bedienungsanleitung aufmerksam machen, die Handhabung und Wartung des Produkts betreffen.



Dieses Symbol soll den Anwender vor unisolierten gefährlichen Spannungen innerhalb des Gehäuses warnen, die von Ausreichender Stärke sind, um einen elektrischen Schlag verursachen zu können.

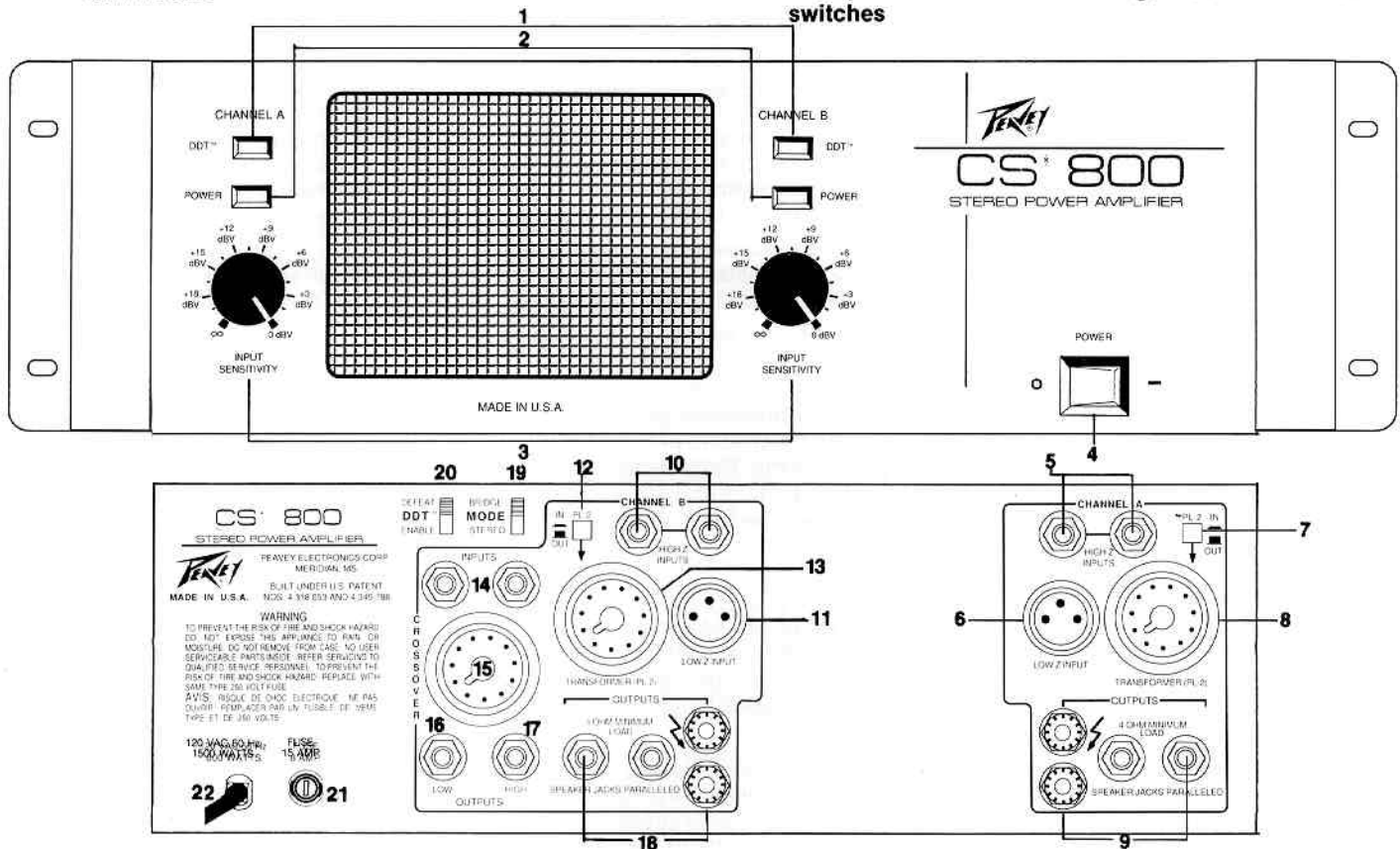
**VORSICHT** Risiko - Elektrischer Schlag! Nicht öffnen!

**VORSICHT** Um das Risiko eines elektrischen Schlages zu vermeiden, nicht die Abdeckung entfernen. Es befinden sich keine Teile darin, die vom Anwender repariert werden könnten. Reparaturen nur von qualifiziertem Fachpersonal durchführen lassen.

**ACHTUNG** Um einen elektrischen Schlag oder Feuergefahr zu vermeiden, sollte dieses Gerät nicht dem Regen oder Feuchtigkeit ausgesetzt werden. Vor Inbetriebnahme unbedingt die Bedienungsanleitung lesen.

## FEATURES

- Automatic two-speed fan cooling system/tunnel
- Independent channel thermal/fault protection
- Transient free turn-on/off operation (relay)
- One recessed crossover "island" socket for plug-in modules
- Two recessed balanced input transformer sockets for PL-2's
- Single XLR & dual phone plug inputs each channel
- Phone plug inputs are QUASI-ELECTRONIC BALANCED
- XLR input can be QUASI-ELECTRONIC BALANCED (push switch out, no PL-1 module)
- XLR input can be transformer balanced (push switch in, PL-1 module)
- Dual phone plug and 5 way binding post outputs each channel
- DDT™ activation LED & power LED each channel
- Calibrated/detented input attenuator control each channel
- Rear panel DDT™ defeat & bridge mode select slide switches



### DDT™ ACTIVE LED (1)

Illuminates when DDT™ Compression is taking place. With the ENABLE/DEFEAT switch in the DEFEAT position, the LED indicates when clipping distortion is occurring.

### POWER LED (2)

Illuminates when AC power is being supplied to the amp, and the associated channel is operational. Illumination is delayed slightly during the power-up cycle due to the transient suppression/thermal/fault circuitry. If either channel were to experience fault conditions or to exceed the safe operating temperature limits, then that channel will shut down, and the associated power LED will go out, indicating such conditions exist. Also whenever the BRIDGE mode is selected, the power LED on channel B is defeated (OFF), just as if there were a fault condition on channel B. This provides a positive indication that the CS-800 is in bridge mode.

### INPUT SENSITIVITY (3)

Maximum input gain (minimum sensitivity rating) is achieved at the full clockwise setting. A setting of less than full clockwise will yield lower system noise at the expense of headroom. Calibration indicates sensitivity in dBV necessary to attain full available output.

### POWER SWITCH (4)

Depress to "On" position to turn on.

## CHANNEL A

### HIGH Z INPUT JACKS (5)

Two parallel (bridged) input jacks are provided. This allows for one to be used as a conventional input, and simultaneously the other to be used as a "line out" (Y-cord) to connect to another input jack on this amplifier or other amps/equipment. These 1/4" jacks are not "chassis grounded" and when used will provide a QUASI-BALANCED input capability due to our unique "ground loop" elimination circuitry associated with the input. This feature will normally allow "hum free" operation when relatively short 1/4" cable patches are made between the various jacks on this amp and other jacks on various other equipment that share the same rack with this amp. This QUASI-BALANCED capability is automatic and it can not be removed from the system's circuitry.

### **LOW Z INPUT (6)**

A conventional three-pin, female XLR input jack is provided and may be used as the channel A input. When the (PL-2) line-balancing transformer is not used, this XLR input becomes QUASI-BALANCED with pin #3 as the positive input (connecting to the tip of the ¼" input jacks above), pin #2 as the negative input (connecting to the floating sleeve of the ¼" input jacks above), and pin #1 going to chassis ground. When the (PL-2) line-balancing transformer is used, this XLR input becomes fully TRANSFORMER-BALANCED (Pin #3 positive, pin #2 negative, pin #1 ground). (See the PL-2 SELECTOR SWITCH section for details on related settings)

### **PL-2 SELECTOR SWITCH (7)**

This switch is to be used in conjunction with the PL-2 transformer to allow the LOW Z INPUT to function with or without a PL-2 module being inserted in the receptacle. A similar function was performed by using a PL-1 module inserted in the PL-2 receptacle on older amplifier models. The "OUT" position of this switch selects the QUASI-BALANCED mode of operation for the LOW Z INPUT (XLR jack), and routes the input signal directly to the HI Z INPUT JACKS. In this position the HI Z INPUT JACKS may be used as outputs after the LOW Z INPUT to allow patching this signal to another input on this amp. Normally, in this switch position, a (PL-2) transformer is not present ("OUT") in the transformer receptacle however, if one were "IN" the receptacle, the LOW Z INPUT would still be QUASI-BALANCED. It becomes TRANSFORMER-BALANCED only when the IN switch position is selected. Notice this is a very effective means to "test" for the necessity of a line-balancing transformer. The "IN" position of the switch routes the input signals from the XLR jack through the (PL-2) line-balancing transformer thus selecting the TRANSFORMER-BALANCED mode of operation for the LOW Z INPUT. In this position the HI Z INPUT JACKS may be used as outputs after the line-balancing transformer to patch the signal to another input jack on this amplifier or other amps/equipment. If the "IN" position is selected without a (PL-2) line-balancing transformer "IN" the receptacle, the LOW Z INPUT will be rendered inoperable.

### **TRANSFORMER RECEPTACLE (8)**

This receptacle only receives the optional (PL-2) line-balancing transformer. When conditions exist that demand the usage of a TRANSFORMER-BALANCED XLR INPUT at the input of channel "A", the (PL-2) transformer must be put here, and the selector switch must be in the "IN" position.

### **SPEAKER OUTPUTS (9)**

Two ¼" jacks and 5 way binding post speaker output terminals are provided. All these outputs are in parallel, hence the speaker connection cables can be terminated with ¼" phone plugs, banana plugs, or stripped wires for use in the binding post terminals. For sustained high power applications, the use of the binding post terminals are recommended, however care must be exercised to assure correct speaker phasing. Regardless of what connections are used, the minimum parallel speaker load should be limited to 4 ohms. Operation at loads above 4 ohms and even open circuit conditions can always be considered safe, however sustained operation at loads below 4 ohms could result in temporary channel shutdown due to the thermal limits and/or the amp internal fault circuitry.

## **CHANNEL B**

**NOTE:** On this channel a crossover module "ISLAND" has been provided to allow a PL-MODULE ELECTRONIC CROSSOVER to be used to perform a "BIAMP" function. Associated with this island are dual crossover input jacks, high and low output jacks, and a crossover receptacle. These will be discussed further in following sections but please note that the channel B patches are somewhat different from those of channel A.

### **HIGH Z INPUT JACKS (10)**

Two parallel input jacks are also provided in this channel, allowing the flexibility of the Y-cord capability here as well. These jacks are also not chassis grounded and will provide a QUASI-BALANCED input capability. Both of these input jacks are "switching" type, where usage of either of these jacks disables the signal feed from the LOW Z INPUT circuitry associated with this channel. This is necessary to allow this input to be patched from the appropriate electronic crossover output jack & then use the LOW Z INPUT circuitry as the input for the electronic crossover. This feature prevents these jacks from being used as outputs from the LOW Z INPUT circuitry, as was possible with the Channel A input jacks.

### **LOW Z INPUT (11)**

A conventional three-pin, female XLR input jack is also provided here, and it can be used as the channel B input, provided the HI Z INPUT jacks are not being used. When the (PL-2) line-balancing transformer is not used, this XLR input becomes QUASI-BALANCED with the exact same pin-out arrangements as discussed for channel A. When the (PL-2) line balancing transformer is used, this XLR input becomes fully TRANSFORMER-BALANCED, again with the same pin polarities as those presented for channel A. (See the PL-2 SELECTOR SWITCH section for details on related settings). The output of this low Z circuitry is always connected to the CROSSOVER INPUTS and thus this low Z feature can be used as the input for the crossover module if the application demands the use of an XLR connector.

### **PL-2 SELECTOR SWITCH (12)**

The function of this switch is identical to that of channel A function. The "OUT" position of this switch selects the QUASI-BALANCED mode of operation for the LOW Z INPUT (XLR jack), and routes this input signal directly to the HI Z INPUT jacks, if these jacks are not in use. Since this signal is also routed to the CROSSOVER INPUT jacks, now these jacks may be used as outputs after the LOW Z INPUT to allow patching this signal to another input on this amplifier. Similarly, the "IN" position of the switch routes the input signals from the XLR jack through the (PL-2) line-balancing transformer thus selecting the TRANSFORMER-BALANCED mode of operation for the LOW Z INPUT. In this position the CROSSOVER INPUTS may be used as outputs after the line-balancing transformer to patch the signal to another input jack on this amplifier or other amps/equipment. Again selecting the "IN" position without a (PL-2) line-balancing transformer IN the receptacle will render the LOW Z INPUT inoperable and this switch can be used to test the "effectiveness" of TRANSFORMER BALANCING.

### **TRANSFORMER RECEPTACLE (13)**

This receptacle only receives the optional (PL-2) line-balancing transformer. When conditions exist that demand the usage of a TRANSFORMER-BALANCED XLR INPUT at the input of channel "B", or at the input of the PL-MODULE ELECTRONIC CROSSOVER when BIAMPING then the (PL-2) transformer must be put here, and the selector switch must be in the "IN" position.

#### **CROSSOVER INPUTS (14)**

These are the HI Z INPUTS for the ELECTRONIC CROSSOVER when installed. Two parallel input jacks are again provided at this point, allowing the flexibility of the Y-cord capability here as well. These jacks are also not chassis grounded and will provide a QUASI-BALANCED input capability to minimize potential ground loops. Again, this feature is automatic. As mentioned, the output of the low Z input circuitry of channel B is always connected to these inputs, which allow the LOW Z INPUT to be used as the ELECTRONIC CROSSOVER input if desired. These inputs then can be used as the FULL RANGE outputs allowing additional patching capability.

**CAUTION:** When a full range signal is patched into either the XLR input or the crossover inputs on channel B to feed the crossover module itself this full range signal is also routed to the channel B input. The final patching from the crossover output to the channel B input disconnects this full range signal feed to the channel B input & instead is patched to the appropriate crossed-over signal. This occurs because the channel B input jacks are switching type. If you were to inadvertently disconnect the cable which is routing the crossed-over signal to the channel B input, the switching arrangement will feed a full range signal to that channel and could possibly destroy the transducer that is connected to this channel output. Always reduce levels before attempting to patch.

#### **CROSSOVER MODULE RECEPTACLE (15)**

This receptacle only receives the PL-MODULE ELECTRONIC CROSSOVERS. The PL-MODULES are optional accessories and are available in many different crossover frequencies. Some modules contain special equalization and special padding for a particular Peavey speaker enclosure. Always be sure to select the correct module for your speaker system. Other special purpose modules are also available for usage in this receptacle. As such this receptacle supplies both the input and output patch facilities and the power supply "feeds" for these active electronic devices.

#### **CROSSOVER LOW OUTPUT (16)**

This jack supplies the crossed-over low frequency output from the installed PL-MODULE ELECTRONIC CROSSOVER. This output must be patched to the appropriate power amp input jack to "create" an operational biamp system. On some special purpose modules, this output jack is not used.

#### **CROSSOVER HIGH OUTPUT (17)**

This jack supplies the crossed-over high frequency output from the installed PL-MODULE ELECTRONIC CROSSOVER. This output must also be patched to the appropriate power amp input jack to create an operational biamp system.

#### **SPEAKER OUTPUTS (18)**

Same function and comments as channel A.

#### **MODE SWITCH (19)**

This switch is used to select either STEREO or BRIDGE mode of operation.

#### **DDT™ SWITCH (20)**

This switch is used to either ENABLE or DEFEAT the DDT™ compressor.

#### **FUSE (21)**

The fuse is located within the cap of the fuseholder. If the fuse should fail, IT MUST BE REPLACED WITH THE SAME TYPE AND VALUE IN ORDER TO AVOID DAMAGE TO THE EQUIPMENT AND TO PREVENT VOIDING THE WARRANTY. If the amp repeatedly blows fuses, it should be taken to a qualified service center for repair.

**WARNING: THE FUSE SHOULD ONLY BE REPLACED WHEN THE POWER CORD HAS BEEN DISCONNECTED FROM ITS POWER SOURCE.**

#### **MAINS POWER SOURCE (120V products only) (22)**

The CS-800 is fitted with a single heavy duty #14 AWG, 3 conductor line cord and a conventional A.C. plug with a ground pin. It should be connected to an independent circuit capable of supporting at least 10 AMPS continuously or greater. This is particularly critical for sustains high power applications. If the socket used does not have a ground pin, a suitable ground lift adaptor should be used and the third wire grounded properly. Never break off the ground pin on the CS-800. The use of extension cords should be avoided, but if necessary, always use a three-wire type with at least a #14 AWG wire size. The use of lighter wire will severely limit the power capability of this amplifier. Always use a qualified electrician to install any necessary electrical equipment. To prevent the risk of shock or fire hazzard, always be sure that the amplifier is properly grounded.

#### **INSTALLATION AND CONNECTION:**

The Peavey CS-800 commercial series power amplifier is designed for durability in commercial installations and the quality of performance required in studio and home applications. The unit is a standard rack-mount configuration, 5¼" high and is cooled by an automatic two-speed internal fan. All input and output connections are on the back panel. The front panel contains LED indicators for power & DDT™ activation, detented/calibrated sensitivity controls, and a mains power switch.

#### **INDUSTRIAL AND COMMERCIAL INSTALLATIONS**

For commercial and other installations, where sustained high power operation is required, the amplifiers should be mounted in a standard 19" rack. It is not necessary to leave rack space between each amplifier in the stack, since the fan pulls air in from the rear and exhausts the hot air out the front. An adequate "COOL" air supply must be provided for the amplifier when rack-mounted. The internal fan must have a source of air that is not preheated by other equipment. The amplifier will start up in "LOW SPEED" fan operation, and will normally stay at low speed operation unless sustained high power operating levels were to occur. Then as the amplifier "HEAT SINKS" heat up, the automatic thermal sensing circuitry will cause high speed operation to occur. Depending upon signal conditions and amp loading, high speed fan operation may continue, or it may cycle continuously between high and low. This situation is quite normal. If cooling is inadequate due to preheated air, or a reduction of air flow occurs due to blockage of the amplifier inlet/outlet ports or if the amplifier is severely overloaded or short circuited, then the amplifier thermal sensing system may cause temporary shutdown of that particular channel. This is indicated by the channel power LED on the front panel ceasing to illuminate. Depending upon available cooling air, operation should be restored in that channel relatively quickly, and the power LED will be illuminated. In any event corrective action should be taken to determine the cause of the thermal shutdown. If the amplifier is not severely overloaded or shorted, and air flow is normal in and out of the amplifier, then steps should be taken to provide a cooler environment for all the amplifiers. As a general rule, the cooler electronic equipment is operated, the longer its useful service life. You have invested in the finest equipment that money can buy, and a little care will insure long and reliable operation.

**STUDIO AND HOME INSTALLATION:**

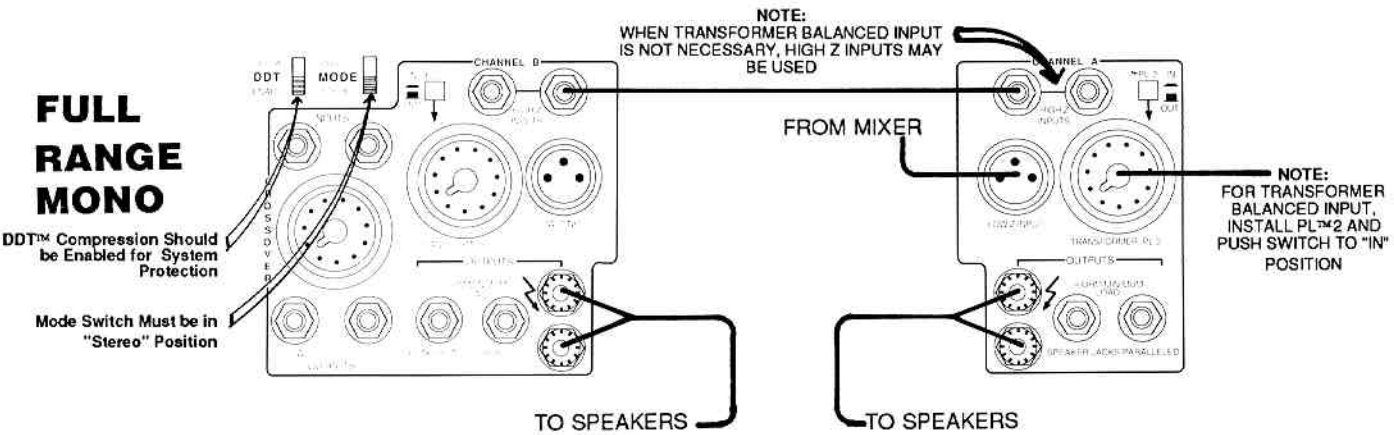
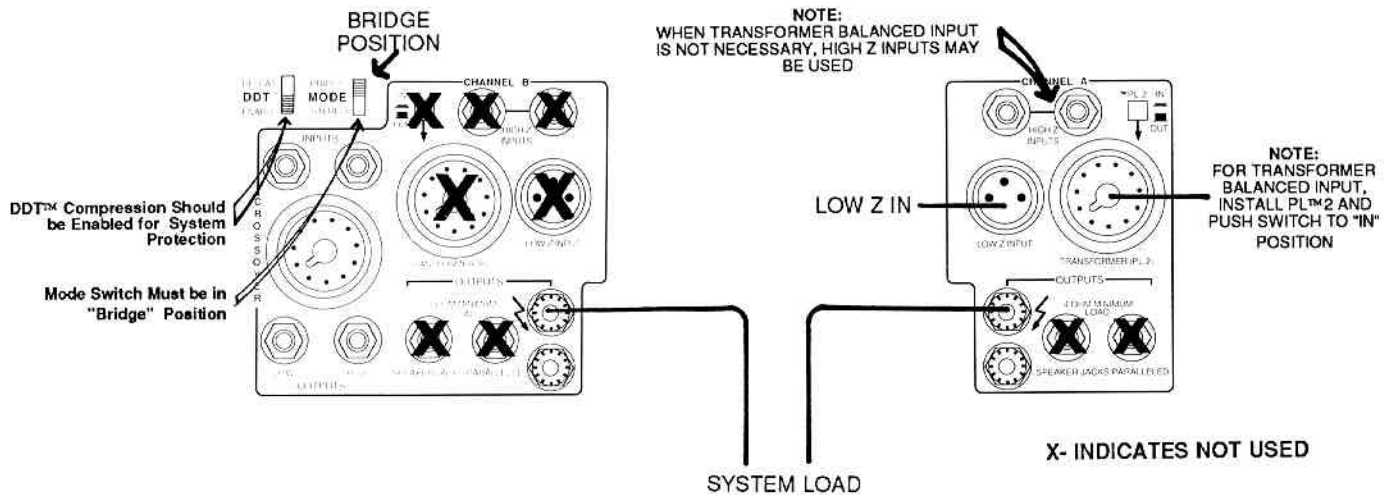
In most low to medium power applications, the power amplifier can be mounted in any configuration. It is desirable that, if at all possible, the power amplifier be located at the top of an equipment stack. This will prevent possible overheating of sensitive equipment by the hot air rising from the power amplifier. As a general rule, most home and studio requirements will never cause high speed fan operation. If it does however, this may indicate that you have not taken the necessary steps to provide adequate cooling. Remember..... closed up in a cabinet, the CS-800 will have severe cooling problems, even at low power levels. Again, inadvertent short circuit or sustained overload usage could also cause temporary thermal shutdown. Also, most home wiring and electrical circuits are only 15 AMPS. Two CS-800's could cause 15 AMP circuit breakers to trip if a severe overload occurs.

**BRIDGE MODE:**

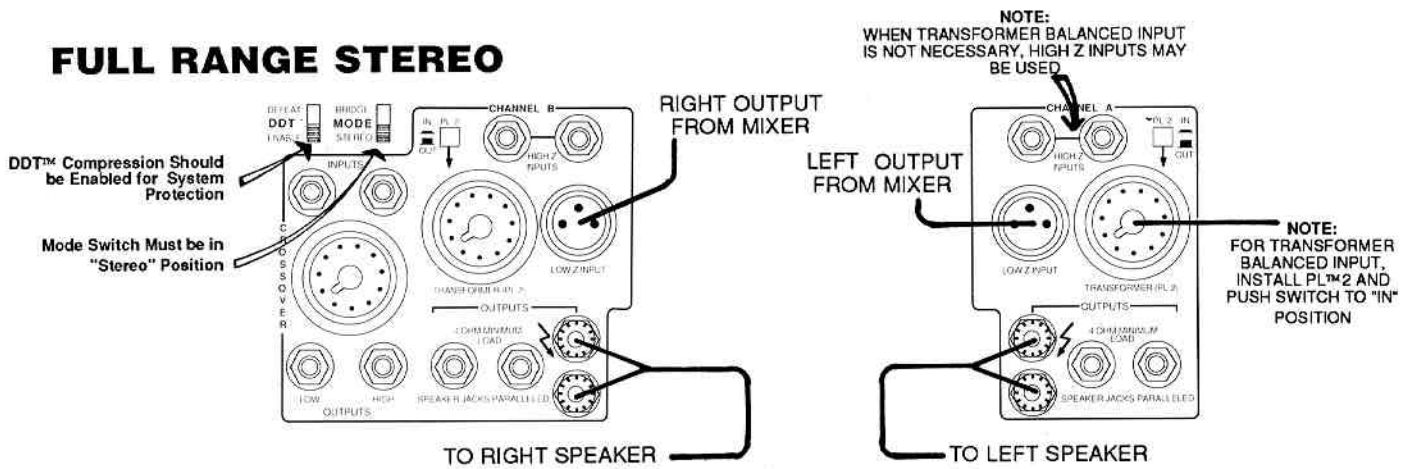
The bridge mode on stereo amplifiers is often misunderstood as to the actual operation and usage. In basic terms, when a two-channel amplifier is operated in the BRIDGE mode, it is converted into a single-channel unit with a POWER RATING equal to the sum of both channel's "CONTINUOUS" power ratings, at a LOAD RATING of twice that of the single channel rating. For the CS-800 then, the BRIDGE RATINGS are 400 watts RMS (continuous) into 8 ohms ( minimum load). Bridge mode operation is accomplished by placing the mode switch in the "BRIDGE" position, connecting the load between the RED binding posts of each channel, and using channel A as the input channel. All the functions of channel B as an input are defeated, and they serve no purpose now.

Although this arrangement could now be used to drive a single 8 ohm enclosure, the *real* purpose for BRIDGE mode operation is to drive sound distribution systems in very large public address applications. In this mode, the CS-800 can actually drive 70 volt systems directly without using matching transformers. 70 volt distribution systems are very common in domestic applications where large numbers of relatively small loudspeakers are used for BACKGROUND MUSIC AND PAGING. Such systems require the use of 70 volt TRANSFORMERS at each loudspeaker. Subwoofer enclosures containing "two" to "four" speakers are excellent applications for bridge mode, but the enclosure impedance must be 8 ohms.

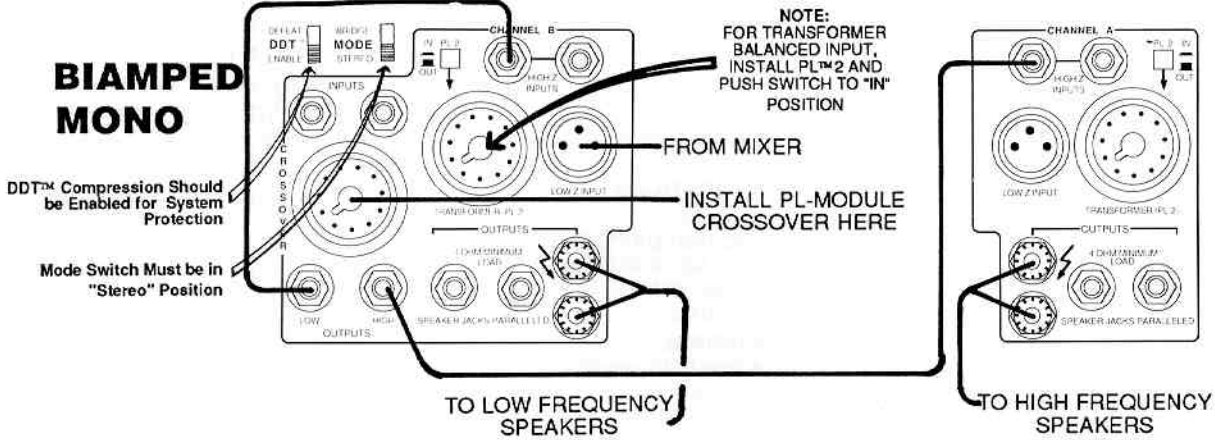
**BRIDGE MODE**



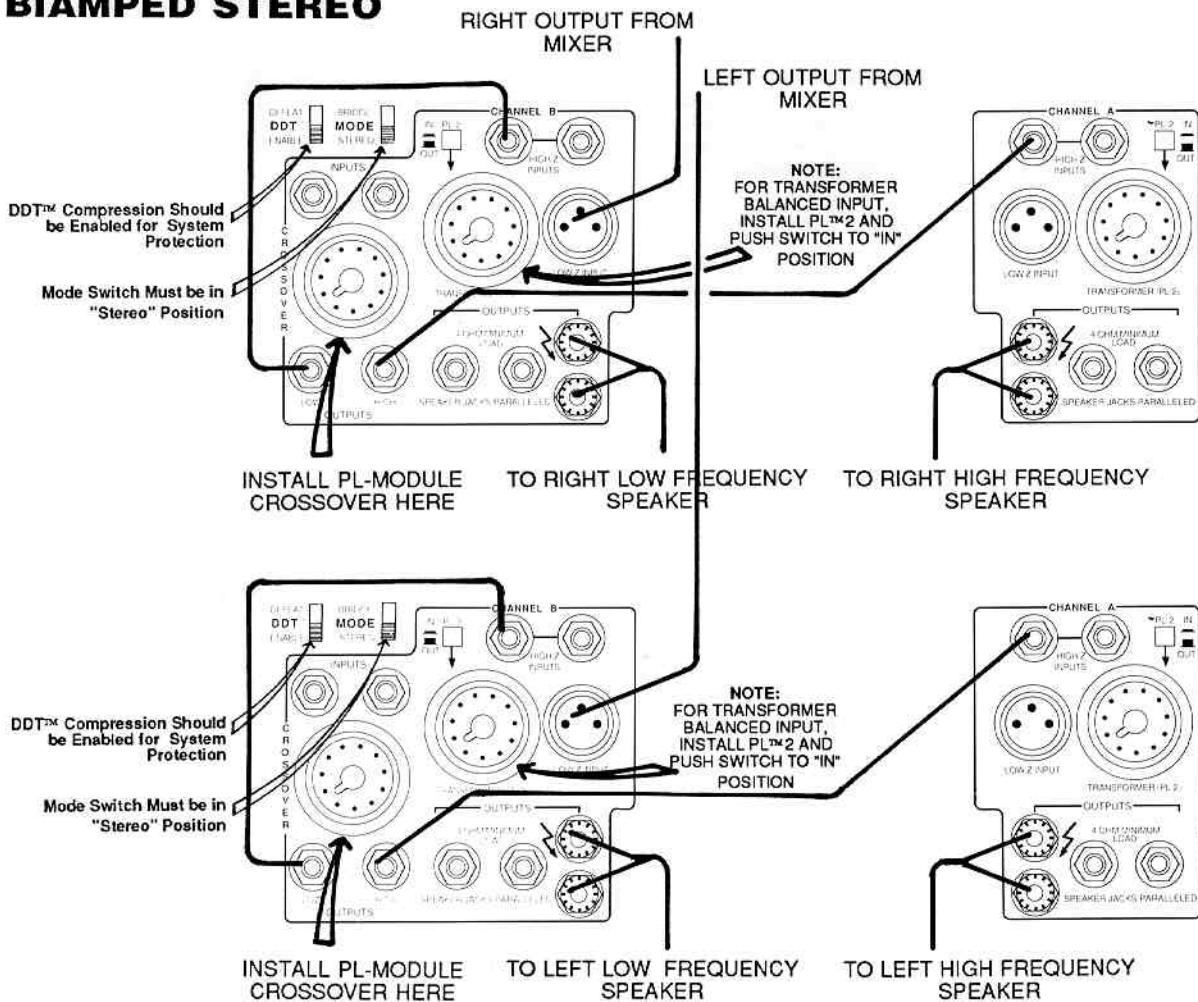
# FULL RANGE STEREO

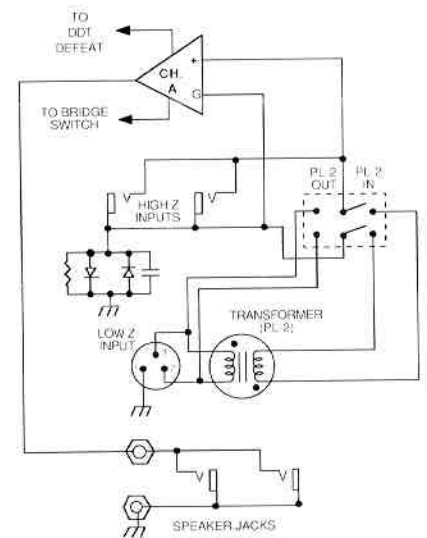
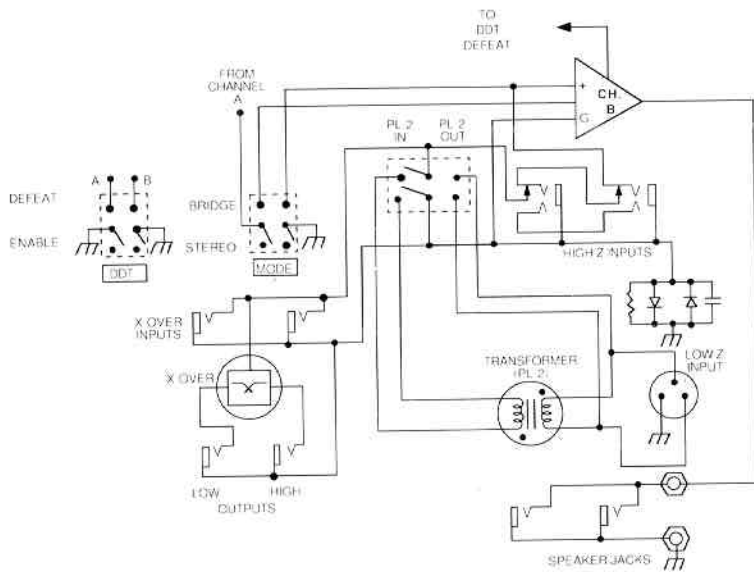


# BIAMPED MONO



# BIAMPED STEREO





## SPECIFICATIONS

### RATED POWER

240 W RMS per channel into 8 ohms  
 400 W RMS per channel into 4 ohms  
 (Both channels driven)  
 800 W RMS into 8 ohms  
 (Bridge mode)  
 (Continuous sine wave with less than 0.03% THD, 20 Hz to 20 kHz, 120V AC)

### POWER @ CLIPPING (TYPICAL)

270 W RMS per channel into 8 ohms  
 450 W RMS per channel into 4 ohms  
 300 W RMS per channel into 2 ohms  
 (Both channels driven)  
 900 W RMS into 8 ohms  
 (Bridge mode)  
 (Continuous sine wave with less than 1.0% THD, 20 Hz to 20 kHz, 120V AC)

### TOTAL HARMONIC DISTORTION

Less than 0.05% @ 400 W RMS per channel into 4 ohms, 10 Hz to 30 kHz  
 (Typically below 0.03%)

### FREQUENCY RESPONSE

+0, -0.2 dB @ 400 W RMS per channel into 4 ohms, 20 Hz to 20 kHz  
 +0, -1 dB @ 1 W RMS per channel into 4 ohms, 5 Hz to 50 kHz

### POWER BANDWIDTH

10 Hz to 50 kHz @ 400 W RMS per channel into 4 ohms, less than 0.1% THD

### SLEW RATE

40 Volts/microsecond  
 (Stereo mode, each channel)  
 70 Volts/microsecond  
 (Bridge mode)

### DAMPING FACTOR

Greater than 200 @ 4 ohms; 400 @ 8 ohms  
 (Stereo mode, each channel,  $f = 1$  kHz)

### HUM & NOISE

100 dB below full rated power  
 (Stereo mode, each channel or bridge mode, 20 Hz to 20 kHz, unweighted)

### INPUT SENSITIVITY AND IMPEDANCE

+3 dBV (1.4V RMS) into 20K ohms for rated power. (Sensitivity control full clockwise)

### DIMENSIONS

19" W × 5¼" H × 14¾" D

### WEIGHT

45 lbs.



**THIS LIMITED WARRANTY VALID ONLY WHEN PURCHASED AND REGISTERED IN THE UNITED STATES OR CANADA. ALL EXPORTED PRODUCTS ARE SUBJECT TO WARRANTY AND SERVICES TO BE SPECIFIED AND PROVIDED BY THE AUTHORIZED DISTRIBUTOR FOR EACH COUNTRY.**

**Ces clauses de garantie ne sont valables qu'aux Etats-Unis et au Canada. Dans tout les autres pays, les clauses de garantie et de maintenance sont fixees par le distributeur national et assuree par lui selon la legislation en vigueur.**

**Diese Garantie ist nur in den USA and Kanada gultig. Alle Export-Produkte sind der Garantie und dem Service des Importeurs des jeweiligen Landes unterworfen.**

**Esta garantia es valida solamente cuando el producto es comprado en E.U. continentales o en Canada. Todos los productos que sean comprados en el extranjero, estan sujetos a las garantias y servicio que cada distribuidor autorizado determine y ofrezca en los diferentes paises.**

**PEAVEY ONE-YEAR LIMITED  
WARRANTY/REMEDY**

PEAVEY ELECTRONICS CORPORATION ("PEAVEY") warrants this product, EXCEPT for covers, footswitches, patchcords, tubes and meters, to be free from defects in material and workmanship for a period of one (1) year from date of purchase, PROVIDED, however, that this limited warranty is extended only to the original retail purchaser and is subject to the conditions, exclusions, and limitations hereinafter set forth:

**PEAVEY 90-DAY LIMITED WARRANTY ON TUBES AND METERS**

If this product contains tubes or meters, Peavey warrants the tubes or meters contained in the product to be free from defects in material and workmanship for a period of ninety (90) days from date of purchase; PROVIDED, however, that this limited warranty is extended only to the original retail purchaser and is also subject to the conditions, exclusions, and limitations hereinafter set forth.

**CONDITIONS, EXCLUSIONS, AND LIMITATIONS OF LIMITED WARRANTIES**

These limited warranties shall be void and of no effect, if:

- a. The first purchase of the product is for the purpose of resale; or
- b. The original retail purchase is not made from an AUTHORIZED PEAVEY DEALER; or
- c. The product has been damaged by accident or unreasonable use, neglect, improper service or maintenance, or other causes not arising out of defects in material or workmanship; or
- d. The serial number affixed to the product is altered, defaced, or removed.

In the event of a defect in material and/or workmanship covered by this limited warranty, Peavey will:

- a. In the case of tubes or meters, replace the defective component without charge.
- b. In other covered cases (i.e., cases involving anything other than covers, footswitches, patchcords, tubes or meters), repair the defect in material or workmanship or replace the product, at Peavey's option; and provided, however, that, in any case, all costs of shipping, if necessary, are paid by you, the purchaser.

THE WARRANTY REGISTRATION CARD SHOULD BE ACCURATELY COMPLETED AND MAILED TO AND RECEIVED BY PEAVEY WITHIN FOURTEEN (14) DAYS FROM THE DATE OF YOUR PURCHASE.

In order to obtain service under these warranties, you must:

- a. Bring the defective item to any PEAVEY AUTHORIZED DEALER or AUTHORIZED PEAVEY SERVICE CENTER and present therewith the ORIGINAL PROOF OF PURCHASE supplied to you by the AUTHORIZED PEAVEY DEALER in connection with your purchase from him of this product. If the DEALER or SERVICE CENTER is unable to provide the necessary warranty service you will be directed to the nearest other PEAVEY AUTHORIZED DEALER or AUTHORIZED PEAVEY SERVICE CENTER which can provide such service.

**OR**

- b. Ship the defective item, prepaid, to:

PEAVEY ELECTRONICS CORPORATION  
International Service Center  
Highway 80 East  
MERIDIAN, MS 39301

including therewith a complete, detailed description of the problem, together with a legible copy of the original PROOF OF PURCHASE and a complete return address. Upon Peavey's receipt of these items:

If the defect is remedial under these limited warranties and the other terms and conditions expressed herein have been complied with, Peavey will provide the necessary warranty service to repair or replace the product and will return it, FREIGHT COLLECT, to you, the purchaser.

Peavey's liability to the purchaser for damages from any cause whatsoever and regardless of the form of action, including negligence, is limited to the actual damages up to the greater of \$500.00 or an amount equal to the purchase price of the product that caused the damage or that is the subject of or is directly related to the cause of action. Such purchase price will be that in effect for the specific product when the cause of action arose. This limitation of liability will not apply to claims for personal injury or damage to real property or tangible personal property allegedly caused by Peavey's negligence. Peavey does not assume liability for personal injury or property damage arising out of or caused by a non-Peavey alteration or attachment, nor does Peavey assume any responsibility for damage to interconnected non-Peavey equipment that may result from the normal functioning and maintenance of the Peavey equipment.

UNDER NO CIRCUMSTANCES WILL PEAVEY BE LIABLE FOR ANY LOST PROFITS, LOST SAVINGS, ANY INCIDENTAL DAMAGES, OR ANY CONSEQUENTIAL DAMAGES ARISING OUT OF THE USE OR INABILITY TO USE THE PRODUCT, EVEN IF PEAVEY HAS BEEN ADVISED OF THE POSSIBILITY OF SUCH DAMAGES.

THESE LIMITED WARRANTIES ARE IN LIEU OF ANY AND ALL WARRANTIES, EXPRESSED OR IMPLIED, INCLUDING, BUT NOT LIMITED TO, THE IMPLIED WARRANTIES OF MERCHANTABILITY AND FITNESS FOR A PARTICULAR USE; PROVIDED, HOWEVER, THAT IF THE OTHER TERMS AND CONDITIONS NECESSARY TO THE EXISTENCE OF THE EXPRESSED, LIMITED WARRANTIES, AS HEREINABOVE STATED, HAVE BEEN COMPLIED WITH, IMPLIED WARRANTIES ARE NOT DISCLAIMED DURING THE APPLICABLE ONE-YEAR OR NINETY-DAY PERIOD FROM DATE OF PURCHASE OF THIS PRODUCT.

SOME STATES DO NOT ALLOW LIMITATION ON HOW LONG AN IMPLIED WARRANTY LASTS, OR THE EXCLUSION OR LIMITATION OF INCIDENTAL OR CONSEQUENTIAL DAMAGES, SO THE ABOVE LIMITATIONS OR EXCLUSIONS MAY NOT APPLY TO YOU. THESE LIMITED WARRANTIES GIVE YOU SPECIFIC LEGAL RIGHTS, AND YOU MAY ALSO HAVE OTHER RIGHTS WHICH MAY VARY FROM STATE TO STATE.

THESE LIMITED WARRANTIES ARE THE ONLY EXPRESSED WARRANTIES ON THIS PRODUCT, AND NO OTHER STATEMENT, REPRESENTATION, WARRANTY, OR AGREEMENT BY ANY PERSON SHALL BE VALID OR BINDING UPON PEAVEY.

In the event of any modification or disclaimer of expressed or implied warranties, or any limitation of remedies, contained herein conflicts with applicable law, then such modification, disclaimer or limitation, as the case may be, shall be deemed to be modified to the extent necessary to comply with such law.

Your remedies for breach of these warranties are limited to those remedies provided herein and Peavey Electronics Corporation gives this limited warranty only with respect to equipment purchased in the United States of America.

**INSTRUCTIONS — WARRANTY REGISTRATION CARD**

1. Mail the completed WARRANTY REGISTRATION CARD to:

PEAVEY ELECTRONICS CORPORATION  
POST OFFICE BOX 2898  
MERIDIAN, MISSISSIPPI 39302-2898

- a. Keep the PROOF OF PURCHASE. In the event warranty service is required during the warranty period, you will need this document. **There will be no identification card issued by Peavey Electronics Corporation.**
2. IMPORTANCE OF WARRANTY REGISTRATION CARDS AND NOTIFICATION OF CHANGES OF ADDRESSES:
  - a. Completion and mailing of WARRANTY REGISTRATION CARDS — Should notification become necessary for any condition that may require correction, the REGISTRATION CARD will help ensure that you are contacted and properly notified.
  - b. Notice of address changes — If you move from the address shown on the WARRANTY REGISTRATION CARD, you should notify Peavey of the change of address so as to facilitate your receipt of any bulletins or other forms of notification which may become necessary in connection with any condition that may require dissemination of information or correction.
3. You may contact Peavey directly by telephoning (601) 483-5365.

## IMPORTANT SAFETY INSTRUCTIONS

**WARNING** When using electric products, basic cautions should always be followed, including the following.

1. Read all safety and operating instructions before using this product.
2. All safety and operating instructions should be retained for future reference.
3. Obey all cautions in the operating instructions and on the back of the unit.
4. All operating instructions should be followed.
5. This product should not be used near water, i.e., a bathtub, sink, swimming pool, wet basement, etc.
6. This product should be located so that its position does not interfere with its proper ventilation. It should not be placed flat against a wall or placed in a built-in enclosure that will impede the flow of cooling air.
7. This product should not be placed near a source of heat such as a stove, radiator, or another heat producing amplifier.
8. Connect only to a power supply of the type marked on the unit adjacent to the power supply cord.
9. Never break off the ground pin on the power supply cord. For more information on grounding, write for our free booklet "Shock Hazard and Grounding."
10. Power supply cords should always be handled carefully. Never walk or place equipment on power supply cords. Periodically check cords for cuts or signs of stress, especially at the plug and the point where the cord exits the unit.
11. The power supply cord should be unplugged when the unit is to be unused for long periods of time.
12. If this product is to be mounted in an equipment rack, rear support should be provided.
13. Metal parts can be cleaned with a damp rag. The vinyl covering used on some units can be cleaned with a damp rag, or an ammonia-based household cleaner if necessary. Disconnect unit from power supply before cleaning.
14. Care should be taken so that objects do not fall and liquids are not spilled into the unit through the ventilation holes or any other openings.
15. This unit should be checked by a qualified service technician if
  - a. The power supply cord or plug has been damaged.
  - b. Anything has fallen or been spilled into the unit.
  - c. The unit does not operate correctly.
  - d. The unit has been dropped or the enclosure damaged.
16. The user should not attempt to service this equipment. All service work should be done by a qualified service technician.
17. This product should be used only with a cart or stand that is recommended by Peavey Electronics.
18. Exposure to extremely high noise levels may cause a permanent hearing loss. Individuals vary considerably in susceptibility to noise induced hearing loss, but nearly everyone will lose some hearing if exposed to sufficiently intense noise for a sufficient time.

The U.S. Government's Occupational Safety and Health Administration (OSHA) has specified the following permissible noise level exposures.

Duration Per Day In Hours	Sound Level dBA, Slow Response
8	90
6	92
4	95
3	97
2	100
1½	102
1	105
½	110
¼ or less	115

According to OSHA, any exposure in excess of the above permissible limits could result in some hearing loss.

Ear plugs or protectors in the ear canals or over the ears must be worn when operating this amplification system in order to prevent a permanent hearing loss if exposure is in excess of the limits as set forth above. To ensure against potentially dangerous exposure to high sound pressure levels, it is recommended that all persons exposed to equipment capable of producing high sound pressure levels such as this amplification system be protected by hearing protectors while this unit is in operation.

## SAVE THESE INSTRUCTIONS



Features and specifications subject to change without notice.

**Peavey Electronics Corporation** 711 A Street / Meridian, MS 39302-2898 / U.S.A. / (601) 483-5365 / Telex 504115 / Fax 484-4278

#80300991

Printed in U.S.A. 6/92

©1992