

TRANSISTOR CROSS REFERENCE LIST

953 (A) — 2N3391A
 690 — 2N4249

NOTE

ALL TRANSISTORS SPS 953 UNLESS OTHERWISE NOTED
 ALL RESISTORS 1/2W UNLESS OTHERWISE NOTED
 ALL CAPACITORS IN MFD UNLESS OTHERWISE NOTED
 ALL DIODES 1A, 200PIV UNLESS OTHERWISE NOTED

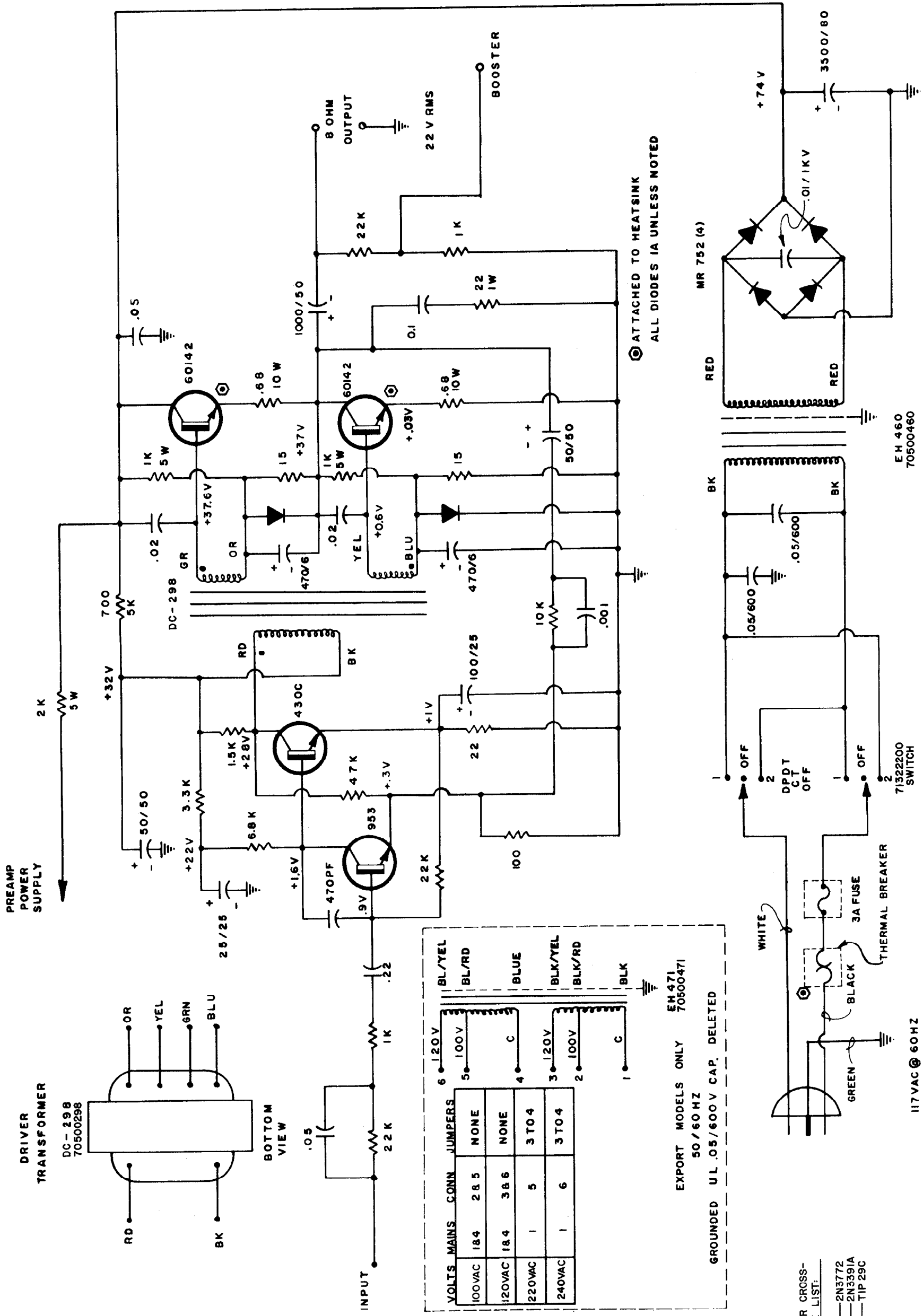
POTENTIOMETERS:

71190007 = 10K HPC LIN
 71190008 = 50K HPC LIN

CENTURY™ PREAMP
A-SERIES
 BD.#99000600

P/N 81515086

PEAVEY ELECTRONICS CORP. MERIDIAN, MS	
DRAWN BY <i>RMT</i>	DATE
C.B. CHECK <i>RMT</i>	
REVISED 12/12/80 <i>RMT</i>	



ATTACHED TO HEATSINK
ALL DIODES IA UNLESS NOTED

VOLTS	MAINS	CONN	JUMPERS
100VAC	184	2 8 5	NONE
120VAC	184	3 8 6	NONE
220VAC	1	5	3 TO 4
240VAC	1	6	3 TO 4

GROUNDING UL .05/600V CAP. DELETED

EXPORT MODELS ONLY
50/60 HZ
EH 471
70500471

TRANSISTOR CROSS-REFERENCE LIST:
60142 — 2N3772
953 — 2N3591A
EP-430 — TIP 29C

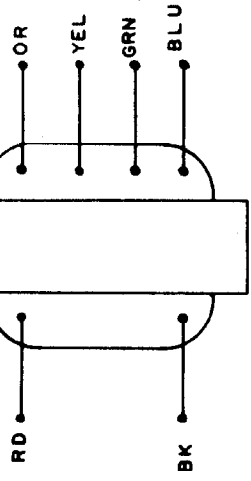
117 VAC @ 60 HZ

**120 MODULE
60 WATT POWER AMP**

P/N 81505080

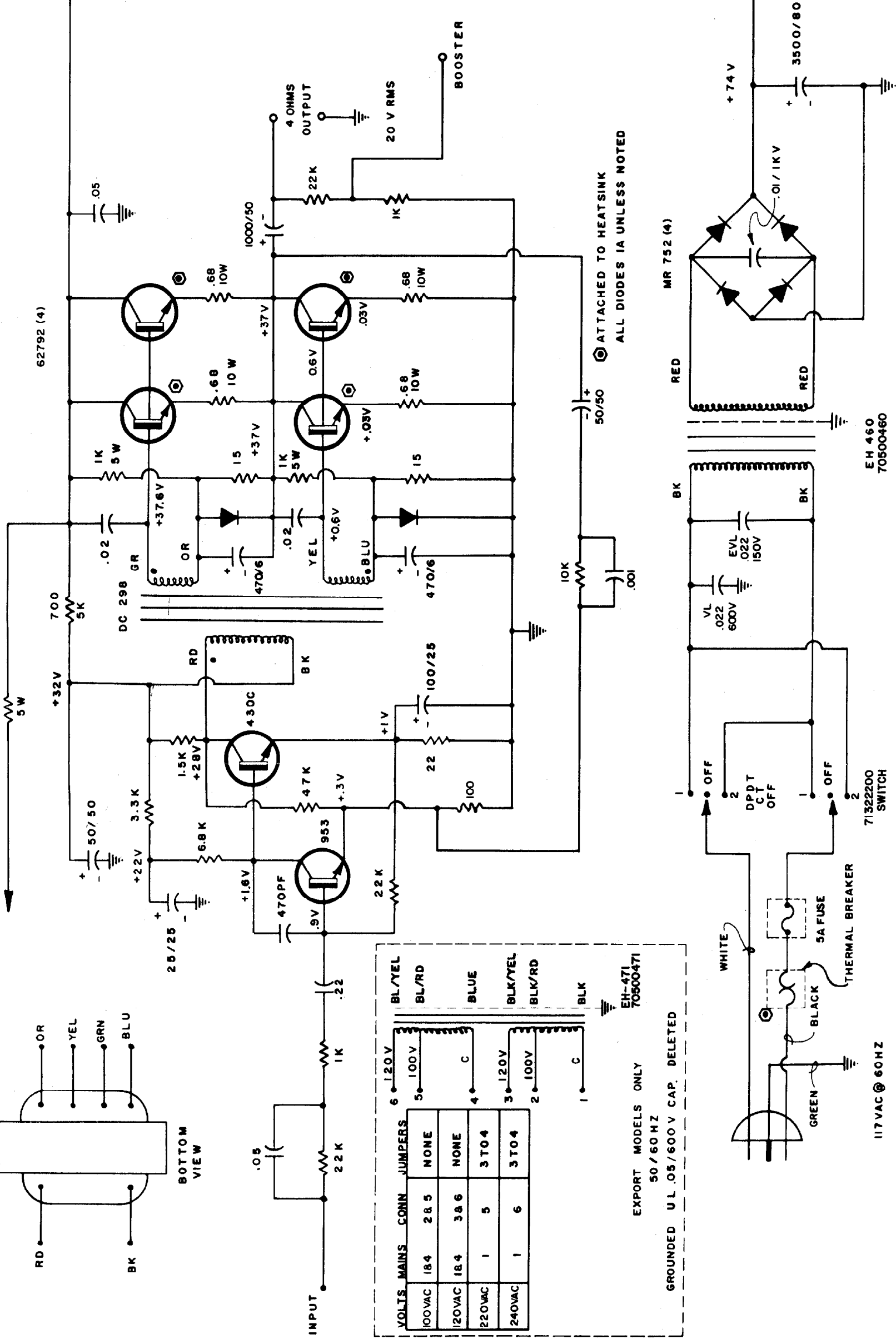
DRIVER
TRANSFORMER

DC 298
70500298



BOTTOM
VIEW

PREAMP
POWER
SUPPLY



VOLTS	MAINS	CONN	JUMPERS
100VAC	184	2 & 5	NONE
120VAC	184	3 & 6	NONE
220VAC	1	5	3 T O 4
240VAC	1	6	3 T O 4

GROUNDING U.L. 05/600V CAP. DELETED

EXPORT MODELS ONLY
50/60 HZ

EH-471
70500471

120 or 200 SERIES MODULE
100 WATT POWERAMP

TRANSISTOR CROSS-REFERENCE LIST:

62792 — 2N3085
953 — 2N3391A
430C — TIP29C

NOTE:
ALL TRANSISTORS SPS 953 UNLESS NOTED
ALL RESISTORS 1/2W UNLESS NOTED
ALL CAPACITORS IN MFD UNLESS NOTED
ALL DIODES 1A 200V PIV UNLESS NOTED