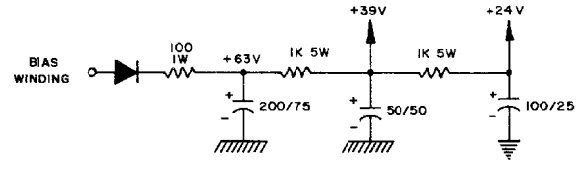
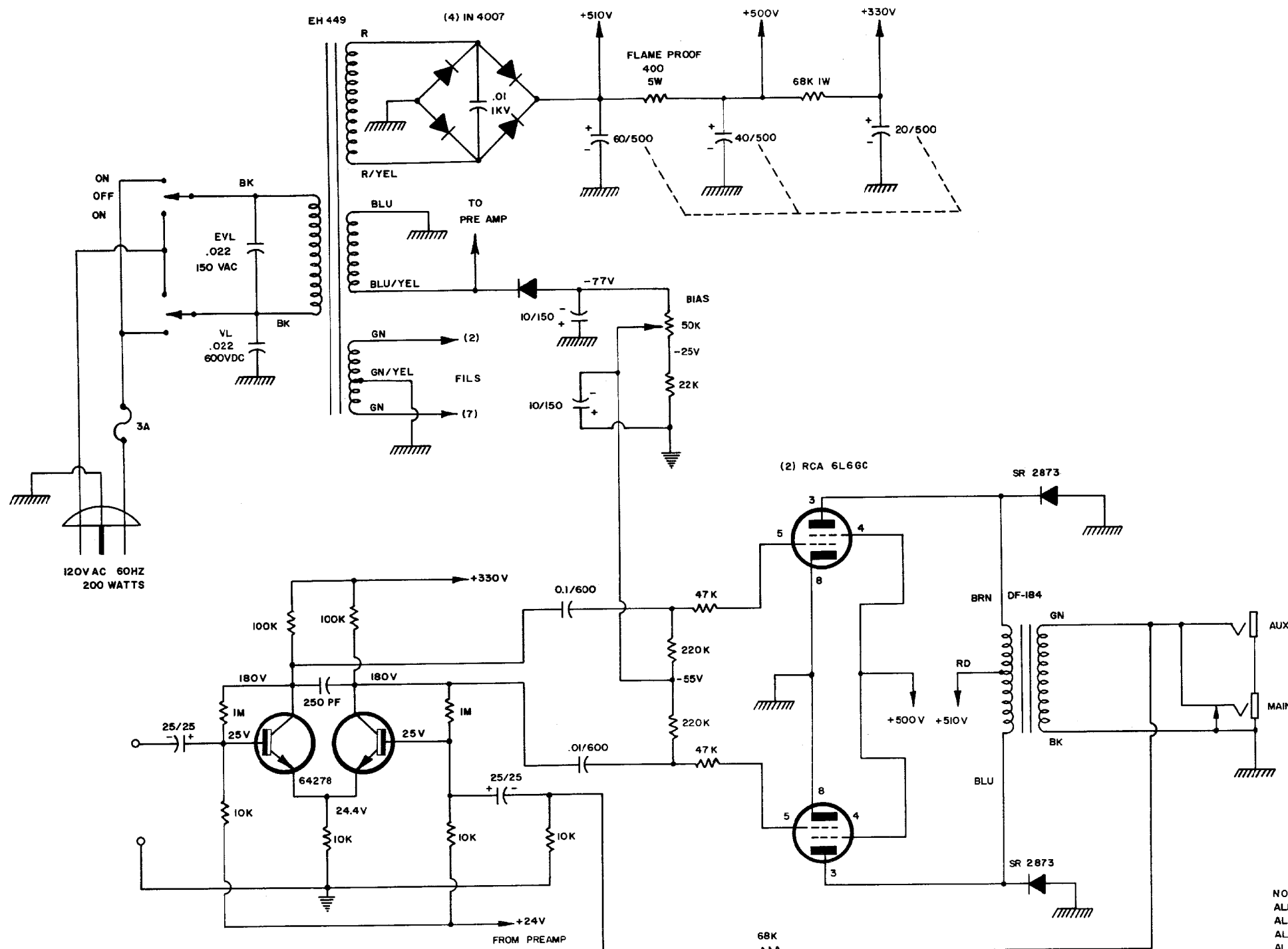


NOTES
 ALL TRANSISTORS SPS 953 UNLESS NOTED
 ALL RESISTORS 1/2W UNLESS NOTED
 ALL CAPACITORS IN MFD UNLESS NOTED
 ALL DIODES IA 200PIV UNLESS NOTED
 NUMBERED CIRCLES DENOTE FOOTSWITCH PIN LOCATION
 CONNECT REVERB UNIT BEFORE ADJUSTING
 TREMOLO BIAS CONTROL



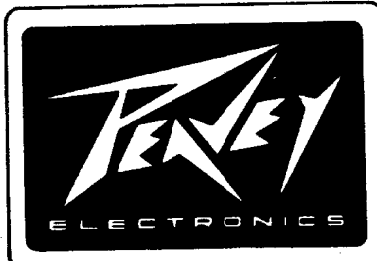
CLASSIC
 (PRE AMP)

PEAVEY ELECTRONICS
 MERIDIAN, MISS.
 DRAWN BY: *[Signature]* DATE: 7-14-75
 CHECKED BY: *[Signature]*
 APPROVED BY: *[Signature]*



NOTE:
 ALL CAPACITORS IN MFD UNLESS NOTED
 ALL RESISTORS 1/2W UNLESS NOTED
 ALL DIODES 1A 200V PIV UNLESS NOTED
 ALL VOLTAGES ± 20% MEASURED WITH VTVM

CLASSIC
 (POWER AMP)



PEAVEY ELECTRONICS MERIDIAN MISS	
DRAWN BY: <i>mt</i>	DATE: 8-1-75
CHECKED BY: <i>JCP</i>	
APPROVED BY: <i>[Signature]</i>	

P/N 81501095