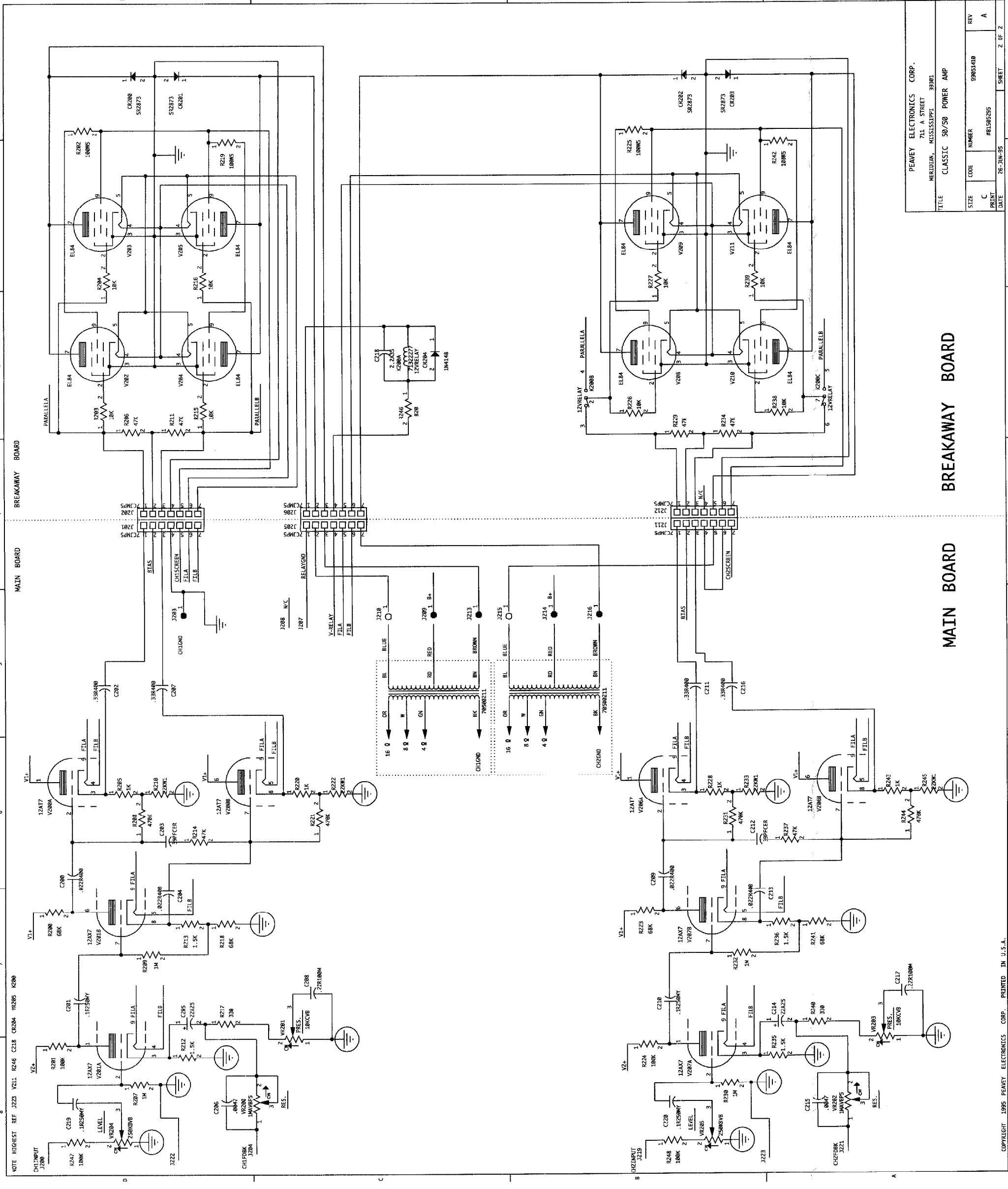


NOTICE: THIS CIRCUITRY IS PROTECTED BY U.S. PATENT NO. 5,197,182 OWNED BY PEAVEY ELECTRONICS CORP. USE OR COPYING WITHOUT EXPRESS WRITTEN AUTHORITY FROM PEAVEY IS STRICTLY FORBIDDEN AND VIOLATORS WILL BE PROSECUTED TO THE FULLEST EXTENT ALLOWED UNDER U.S. PATENT LAWS.

PEAVEY ELECTRONICS CORP.			
711 A STREET			
MERIDIAN, MISSISSIPPI 39981			
TITLE CLASSIC 50/50 POWER SUPPLY			
SIZE	CODE	NUMBER	REV
C		#81305295	96951410
PRINT			
DATE			
26-JUN-95			
SHEET			1 OF 2

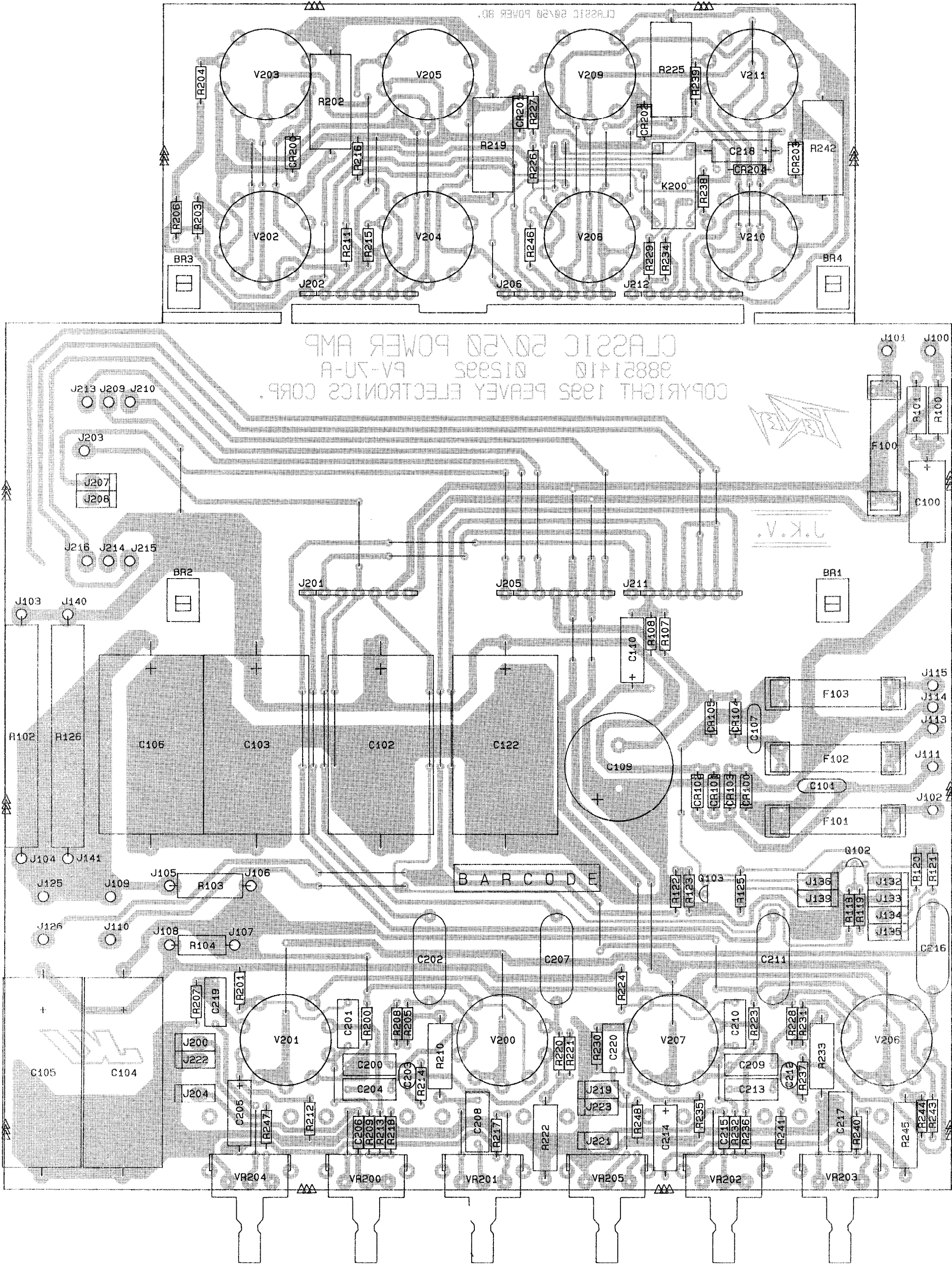


NOTE HIGHEST REF J223 VZ11 R246 C218 CR204 VR205 R200

BREAKAWAY BOARD

MAIN BOARD

PEAVEY ELECTRONICS CORP. 711 A STREET MERIDIAN, MISSISSIPPI 39301	
TITLE	CLASSIC 50/50 POWER AMP
SIZE	CODE
NUMBER	9905140
REV	A
PRINT	C
DATE	26-JUN-95
SHEET	2 OF 2



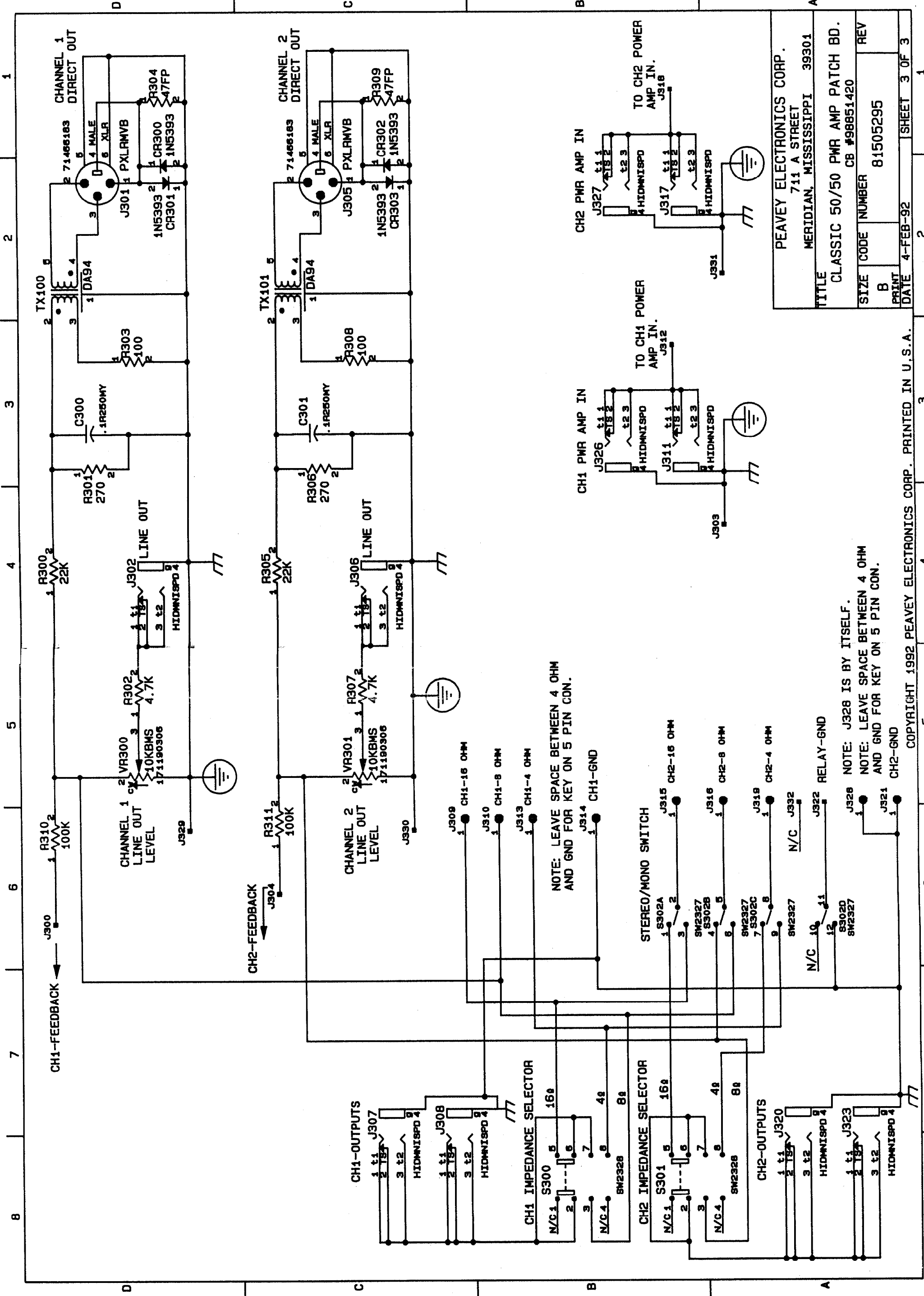
CLASSIC 50/50 POWER AMP  
38851410 015995 PV-7U-A  
COPYRIGHT 1995 PEAVEY ELECTRONICS CORP.



BARCODE

CLASSIC 50/50 POWER AMP



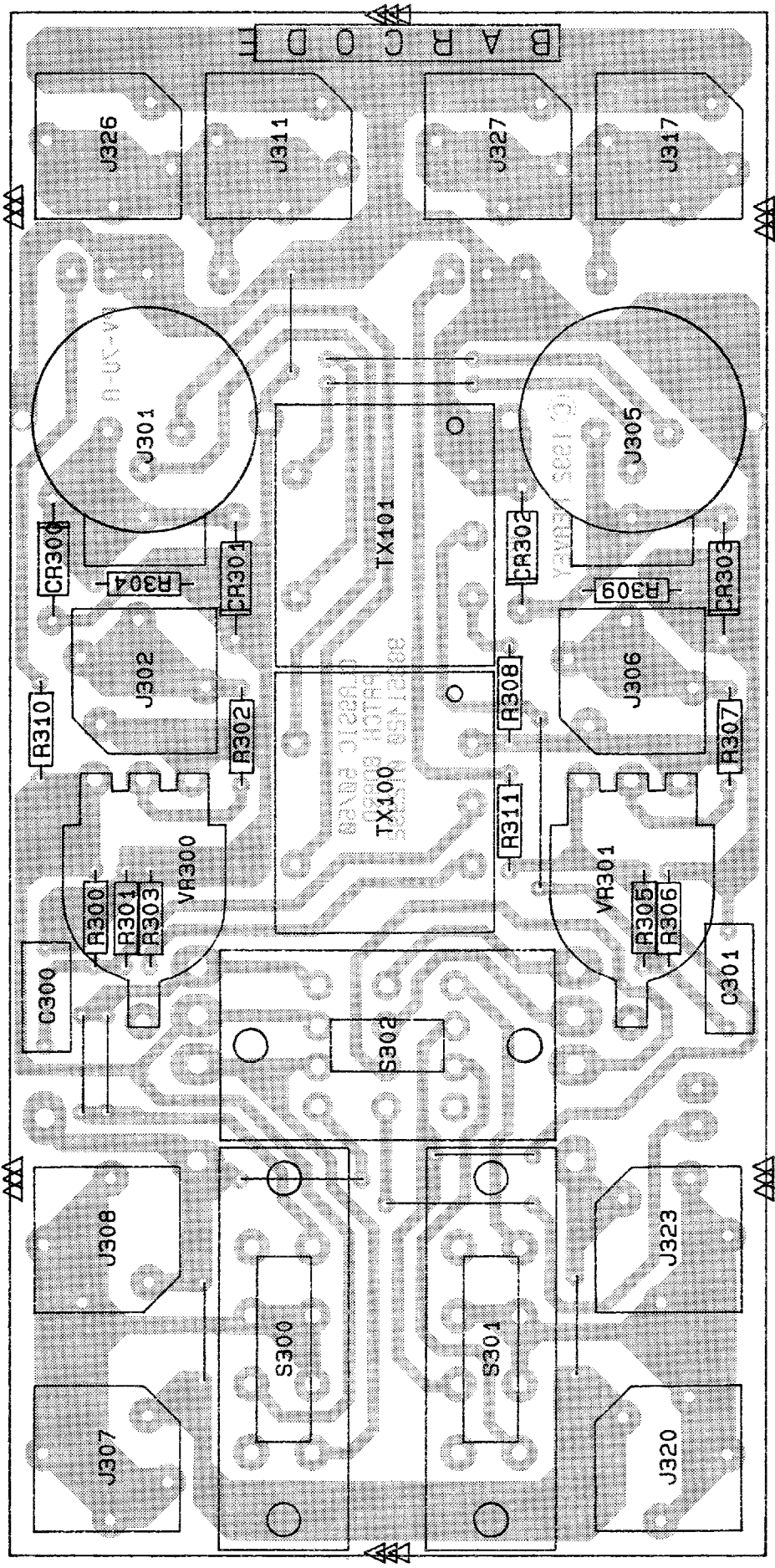


NOTE: LEAVE SPACE BETWEEN 4 OHM AND GND FOR KEY ON 5 PIN CON.

NOTE: J328 IS BY ITSELF.

NOTE: LEAVE SPACE BETWEEN 4 OHM AND GND FOR KEY ON 5 PIN CON.

PEAVEY ELECTRONICS CORP. 711 A STREET MERIDIAN, MISSISSIPPI 39301	
TITLE	CLASSIC 50/50 PWR AMP PATCH BD.
SIZE	B
CODE NUMBER	81505295
PRINT DATE	4-FEB-92
REV	1



# CLASSIC 50/50

## PATCH BD.

NAME	VALUE	NUMBER	DESCRIPTION
C300	.1R250MY	70320096 .1	MFD 250 VDC MYLAR CA/BR
C301	.1R250MY	70320096 .1	MFD 250 VDC MYLAR CA/BR
CR300	1N5393	70465393 1N5393-RL	200V,1.5,5%,ZD,T&R
CR301	1N5393	70465393 1N5393-RL	200V,1.5,5%,ZD,T&R
CR302	1N5393	70465393 1N5393-RL	200V,1.5,5%,ZD,T&R
CR303	1N5393	70465393 1N5393-RL	200V,1.5,5%,ZD,T&R
J301	PXLRMVB	71466183 XLB CON,	VERT MALE W/BRKT
J302	HIDMNISPD71466214	2 TIP	HID JACK NINS W/SPD
J305	PXLRMVB	71466183 XLB CON,	VERT MALE W/BRKT
J306	HIDMNISPD71466214	2 TIP	HID JACK NINS W/SPD
J307	HIDMNISPD71466214	2 TIP	HID JACK NINS W/SPD
J308	HIDMNISPD71466214	2 TIP	HID JACK NINS W/SPD
J311	HIDMNISPD71466214	2 TIP	HID JACK NINS W/SPD
J317	HIDMNISPD71466214	2 TIP	HID JACK NINS W/SPD
J320	HIDMNISPD71466214	2 TIP	HID JACK NINS W/SPD
J323	HIDMNISPD71466214	2 TIP	HID JACK NINS W/SPD
J326	HIDMNISPD71466214	2 TIP	HID JACK NINS W/SPD
J327	HIDMNISPD71466214	2 TIP	HID JACK NINS W/SPD
R300	22K	70240029 22K—1/4W—5%—	CF—T&R
R301	270	70240013 270—1/4W—5%—	CF—T&R
R302	4.7K	70240023 4700—1/4W—5%—	CF—T&R
R303	100	70240010 100—1/4W—5%—	CF—T&R
R304	47FP	70240090 47FP—1/4W—5%—	FP—T&R
R305	22K	70240029 22K—1/4W—5%—	CF—T&R
R306	270	70240013 270—1/4W—5%—	CF—T&R
R307	4.7K	70240023 4700—1/4W—5%—	CF—T&R
R308	100	70240010 100—1/4W—5%—	CF—T&R
R309	47FP	70240090 47FP—1/4W—5%—	FP—T&R
R310	100K	70240034 100K—1/4W—5%—	CF—T&R
R311	100K	70240034 100K—1/4W—5%—	CF—T&R
S300	SW2328	71322328 2PTT	SLIDE SWITCH-PC MNT
S301	SW2328	71322328 2PTT	SLIDE SWITCH-PC MNT
S302	SW2327	71322327 4PDT	SLIDE SWITCH -PC MNT
TX100	DA94	70500094 DA-94	OUTPUT TRANS
TX101	DA94	70500094 DA-94	OUTPUT TRANS
VR300	10KBMS	71190306 10K LIN	METRIC SPIDER
VR301	10KBMS	71190306 10K LIN	METRIC SPIDER