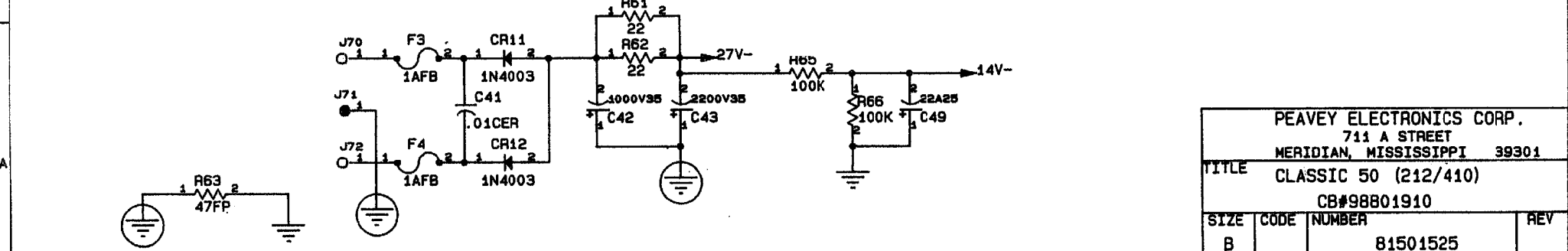
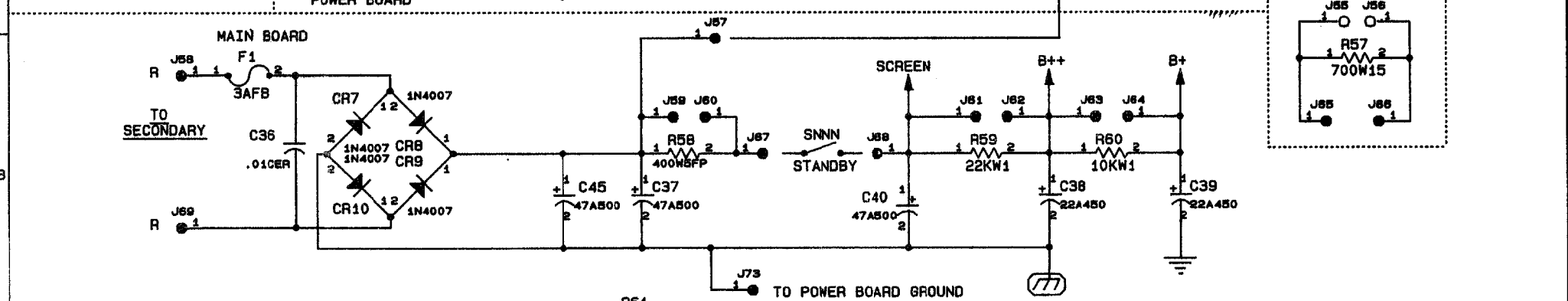
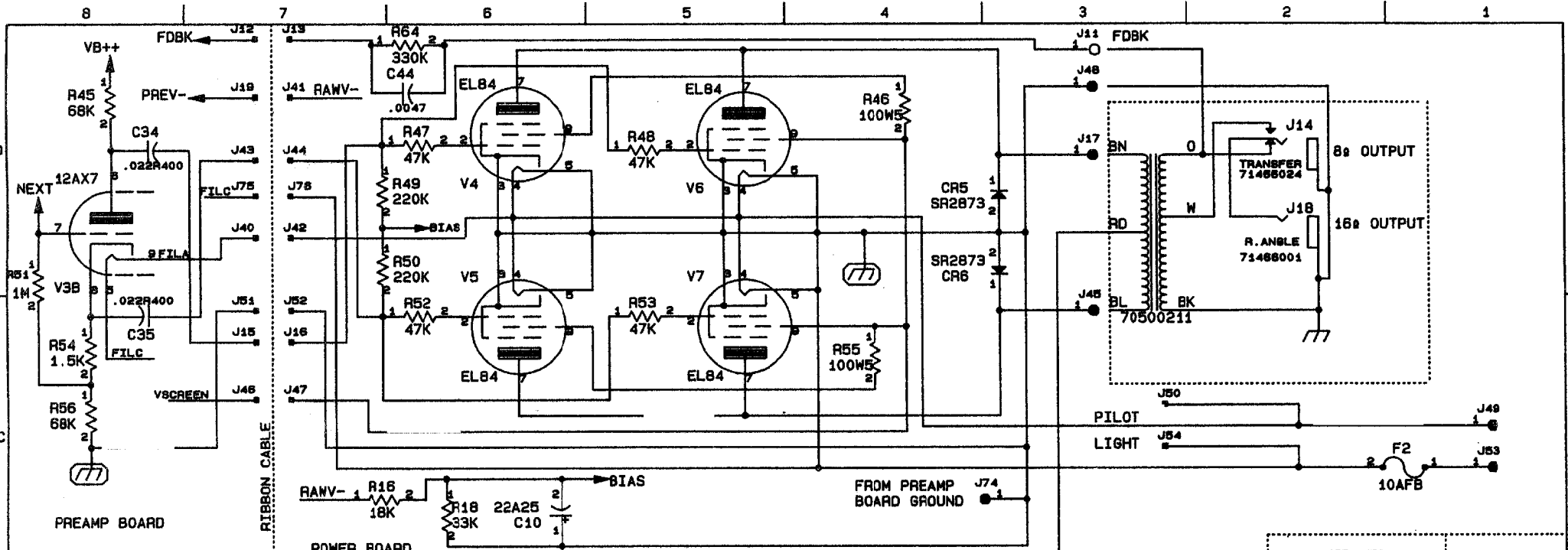


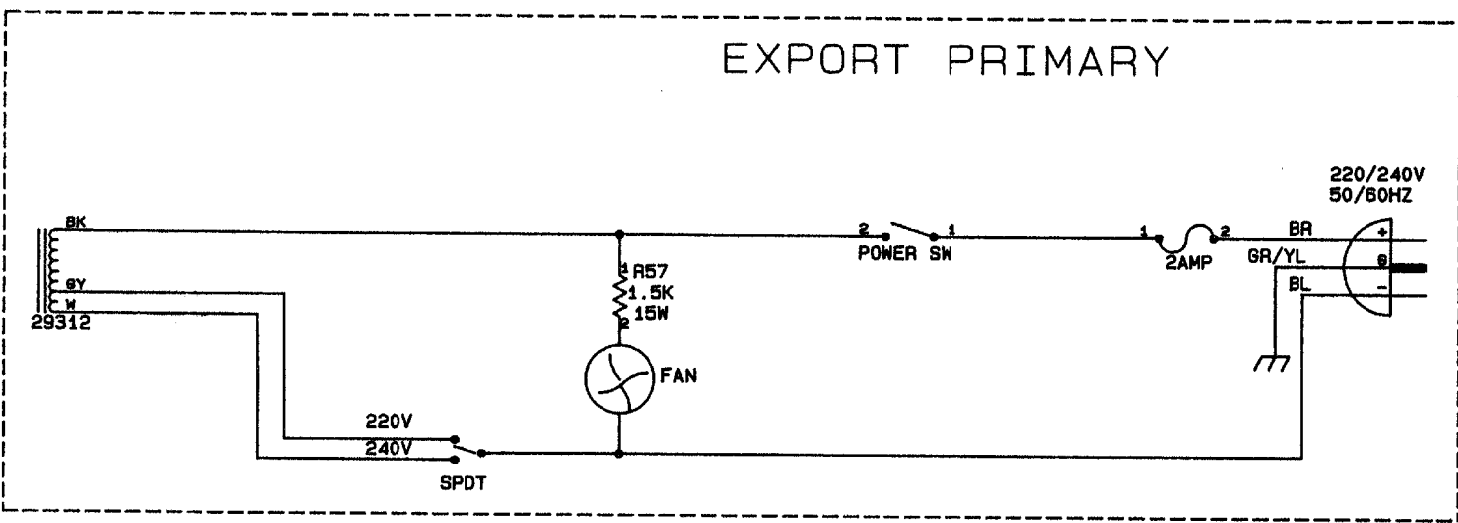
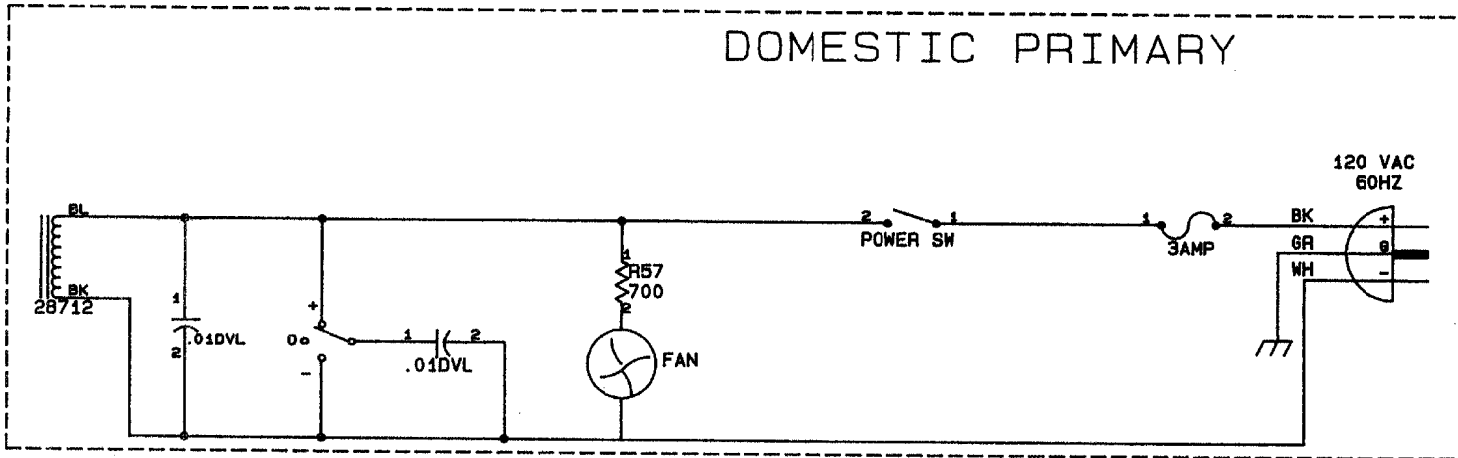
COPYRIGHT 1992 PEAVEY ELECTRONICS CORP. PRINTED IN U.S.A.

PEAVEY ELECTRONICS CORP. 711 A STREET MERIDIAN, MISSISSIPPI 39301			
TITLE CLASSIC 50 (212/410)			
CB #98801910			
SIZE B	CODE PRINT	NUMBER 81501525	REV
DATE 4-NAR-92		SHEET 1 OF 3	



PEAVEY ELECTRONICS CORP. 711 A STREET MERIDIAN, MISSISSIPPI 39301			
TITLE CLASSIC 50 (212/410)			
CB#98801910			
SIZE	CODE	NUMBER	REV
B		81501525	
PRINT	DATE 4-MAR-92		SHEET 2 OF 3

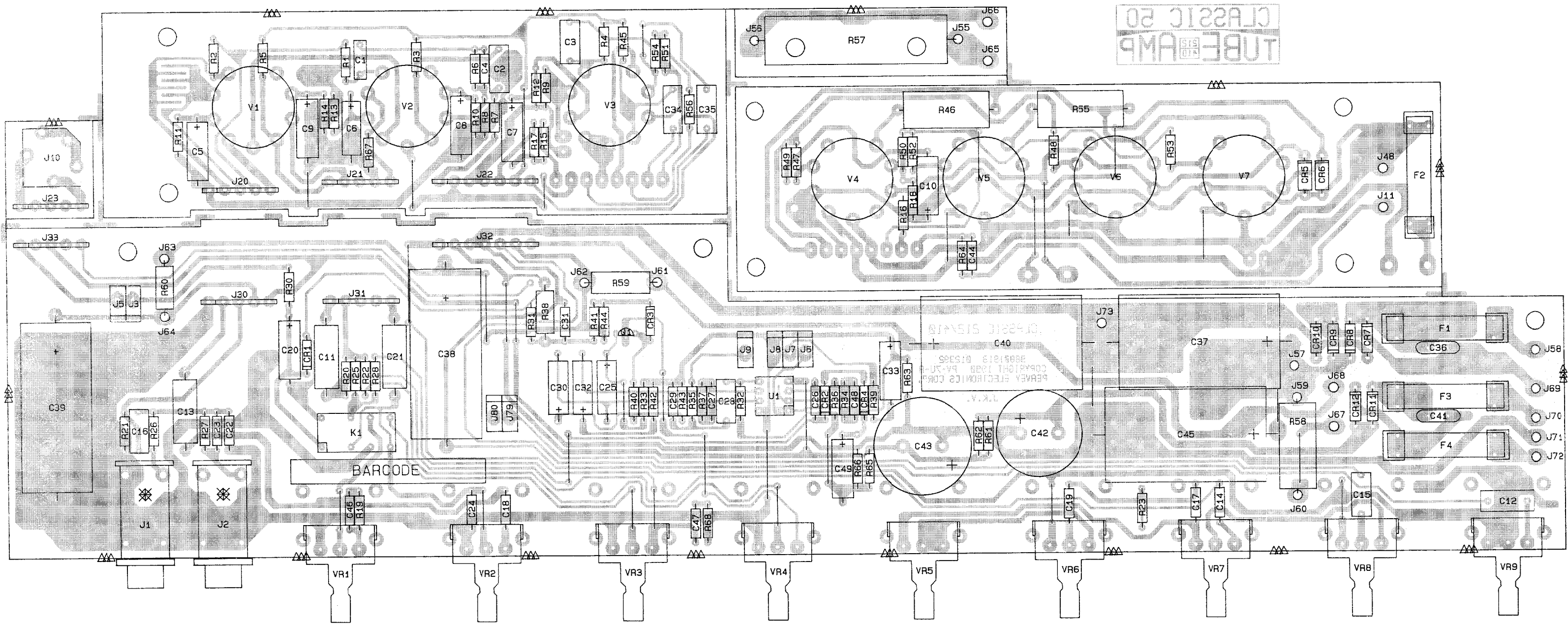
COPYRIGHT 1992 PEAVEY ELECTRONICS CORP. PRINTED IN U.S.A.



PEAVEY ELECTRONICS CORP. 711 A STREET MERIDIAN, MISSISSIPPI 39301			
TITLE PRIMARY, CLASSIC 50 (212/410)			
SIZE	CODE	NUMBER	REV
B		81501X525	A
DATE	4-MAR-92		SHEET 3 OF 3

CLASSIC 50 (212/410)

NAME	VALUE	NUMBER	DESCRIPTION						
C1	.001R630	70320160	.001MF—5%—630V—MT R/W	R18	33K	70240030	33K—1/4W—5%—CF—T&R		
C10	22A25	70320012	22 MFD 25VDC LYT. CAP. T&R	R19	470K	70240038	470K—1/4W—5%—CF—T&R		
C11	.047A400	70320105	.047 MFD 400 V T&R CAP	R2	150K	70240035	150K—1/4W—5%—CF—T&R		
C12	.22MY	70330007	.22 MFD 100VDC 5% MYLAR	R20	2.2M	70240040	2.2M—1/4W—5%—CF—T&R		
C13	.047A400	70320105	.047 MFD 400 V T&R CAP	R21	470K	70240038	470K—1/4W—5%—CF—T&R		
C14	270PF	70340057	270PF 10% 50V TUB CER T&R	R22	220K	70240036	220K—1/4W—5%—CF—T&R		
C15	.1R250MY	70320096	.1 MFD 250 VDC MYLAR CA/BR	R23	68K	70240032	68K—1/4W—5%—CF—T&R		
C16	.1R250MY	70320096	.1 MFD 250 VDC MYLAR CA/BR	R25	150K	70240035	150K—1/4W—5%—CF—T&R		
C17	.022	70340012	.022 MFD 10% 50V MON.T&R	R26	47K	70240031	47K—1/4W—5%—CF—T&R		
C18	470PF	70340058	470PF 10% 50V TUB CER T&R	R27	100K	70240034	100K—1/4W—5%—CF—T&R		
C19	.022	70340012	.022 MFD 10% 50V MON.T&R	R28	220K	70240036	220K—1/4W—5%—CF—T&R		
C2	.022R400	70320106	.022 MFD 400 V CAP	R3	150K	70240035	150K—1/4W—5%—CF—T&R		
C20	22A25	70320012	22 MFD 25VDC LYT. CAP. T&R	R30	470	70240015	470—1/4W—5%—CF—T&R		
C21	.047A400	70320105	.047 MFD 400 V T&R CAP	R31	100	70240010	100—1/4W—5%—CF—T&R		
C22	39PF	70340052	39PF 50V TUB CER T&R	R32	100K	70240034	100K—1/4W—5%—CF—T&R		
C23	.01	70340011	.01 MFD 10% 50V T/C T&R	R33	10K	70240025	10K—1/4W—5%—CF—T&R		
C24	470PF	70340058	470PF 10% 50V TUB CER T&R	R34	22K	70240029	22K—1/4W—5%—CF—T&R		
C25	2.2A35	70320200	2.2MFD 35VDC LY.CAP T&R	R35	1K	70240017	1K—1/4W—5%—CF—T&R		
C26	.001	70340000	.001 MFD 10% 50V MON T&R	R36	1M	70240039	1M—1/4W—5%—CF—T&R		
C27	.0022	70340004	.0022 MFD 10% 50V T/C T&R	R37	47K	70240031	47K—1/4W—5%—CF—T&R		
C28	.1R250MY	70320096	.1 MFD 250 VDC MYLAR CA/BR	R38	1.5KW1	70210007	1500—1W—5%—MO—T&R		
C29	100PF	70340054	100PF 10% 50V TUB CER T&R	R39	47	70240008	47—1/4W—5%—CF—T&R		
C3	.1R250MY	70320096	.1 MFD 250 VDC MYLAR CA/BR	R4	100K	70240034	100K—1/4W 5%—CF—T&R		
C30	2.2A35	70320200	2.2MFD 35VDC LY.CAP T&R	R40	2.2M	70240040	2.2M—1/4W—5%—CF—T&R		
C31	.047P80	70340016	.047MFD+80-20 50V MON T&R	R41	68K	70240032	68K—1/4W—5%—CF—T&R		
C32	2.2A35	70320200	2.2MFD 35VDC LY.CAP T&R	R42	1K	70240017	1K—1/4W—5%—CF—T&R		
C33	22A25	70320012	22 MFD 25VDC LYT. CAP. T&R	R43	2.7K	70240021	2700—1/4W—5%—CF—T&R		
C34	.022R400	70320106	.022 MFD 400 V CAP	R44	1M	70240039	1M—1/4W—5%—CF—T&R		
C35	.022R400	70320106	.022 MFD 400 V CAP	R45	68K	70240032	68K—1/4W—5%—CF—T&R		
C36	.01CER	70320099	.01MFD 1000VDC CD-UNCUT	R46	100W5	70250006	100—5W—10%—WW—AXL		
C37	47A500	70320005	47MF—10%—500VDC-EL-AX	R47	47K	70240031	47K—1/4W—5%—CF—T&R		
C38	22A450	70320020	22 MFD 450 VDC LYTIC CAP	R48	47K	70240031	47K—1/4W—5%—CF—T&R		
C39	22A450	70320020	22 MFD 450 VDC LYTIC CAP	R49	220K	70240036	220K—1/4W—5%—CF—T&R		
C4	470PF	70340058	470PF 10% 50V TUB CER T&R	R5	150K	70240035	150K—1/4W—5%—CF—T&R		
C40	47A500	70320005	47MF—10%—500VDC-EL-AX	R50	220K	70240036	220K—1/4W—5%—CF—T&R		
C41	.01CER	70320099	.01MFD 1000VDC CD-UNCUT	R51	1M	70240039	1M—1/4W—5%—CF—T&R		
C42	1000V35	70320108	1000 MFD 35V RAD.PC MNT.	R52	47K	70240031	47K—1/4W—5%—CF—T&R		
C43	2200V35	70320113	2200 MFD/35V RAD PC MOUNT	R53	47K	70240031	47K—1/4W—5%—CF—T&R		
C44	.0047	70340007	.0047 MFD 10% 50V MON T&R	R54	1.5K	70240018	1500—1/4W—5%—CF—T&R		
C45	47A500	70320005	47MF—10%—500VDC-EL-AX	R55	100W5	70250006	100—5W—10%—WW—AXL		
C46	.001	70340000	.001 MFD 10% 50V MON T&R	R56	68K	70240032	68K—1/4W—5%—CF—T&R		
C47	.015	70340010	.015 MFD 10% 50V T/C T&R	R57	700W15	70250037	700—15W—10%—WW—AXL		
C48	.015	70340010	.015 MFD 10% 50V T/C T&R	R58	400W5FP	70250020	400—5W—10%—FP 67—AXL		
C49	22A25	70320012	22 MFD 25VDC LYT. CAP. T&R	R59	22KW1	70210005	22K—1W—5%—MO—T&R		
C5	22A25	70320012	22 MFD 25VDC LYT. CAP. T&R	R6	470K	70240038	470K—1/4W—5%—CF—T&R		
C6	17A50L	70340063	.47@50V LOW LEAKAGE	R60	10KW1	70210018	10K—1W—5%—MO—T&R		
C7	22A25	70320012	22 MFD 25VDC LYT. CAP. T&R	R61	22	70240007	22—1/4W—5%—CF—T&R		
C8	22A25	70320012	22 MFD 25VDC LYT. CAP. T&R	R62	22	70240007	22—1/4W—5%—CF—T&R		
C9	22A25	70320012	22 MFD 25VDC LYT. CAP. T&R	R63	47FP	70240090	47FP—1/4W—5%—FP—T&R		
CR1	1N4148	70464148	1N4148 75V 10MA SILICON DIODE	R64	330K	70240037	330K—1/4W—5%—CF—T&R		
CR10	1N4007	70460007	1N4007 1KV,1A SIL. DIODE	R65	100K	70240034	100K—1/4W—5%—CF—T&R		
CR11	1N4003	70464003	1N4003 200V SILICON DIODE	R66	100K	70240034	100K—1/4W—5%—CF—T&R		
CR12	1N4003	70464003	1N4003 200V SILICON DIODE	R67	1M	70240039	1M—1/4W—5%—CF—T&R		
CR2	1N757	70400757	1N757A 9.1V 5% ZENER T&R	R68	10K	70240025	10K—1/4W—5%—CF—T&R		
CR3	1N4148	70464148	1N4148 75V 10MA SILICON DIODE	R7	1M	70240039	1M—1/4W—5%—CF—T&R		
CR4	1N757	70400757	1N757A 9.1V 5% ZENER T&R	R8	470K	70240038	470K—1/4W—5%—CF—T&R		
CR5	SR2873	70402873	SR-2873 2KV,250MA SIL DIO	R9	1M	70240039	1M—1/4W—5%—CF—T&R		
CR6	SR2873	70402873	SR-2873 2KV,250MA SIL DIO	U1	4558	70404558	RC-4558,P DUAL BI-PKG 10		
CR7	1N4007	70460007	1N4007 1KV,1A SIL. DIODE	V1	12AX7	70806612	12 AX7/ECC 83 TUBE		
CR8	1N4007	70460007	1N4007 1KV,1A SIL. DIODE	V2	12AX7	70806612	12 AX7/ECC 83 TUBE		
CR9	1N4007	70460007	1N4007 1KV,1A SIL. DIODE	V3	12AX7	70806612	12 AX7/ECC 83 TUBE		
F1	3AFB	70900033	FUSE, AGC 3 AMP	V4	EL84	70806623	EL-84 TUBE		
F2	10AFB	70900370	ABC 10 AMP FUSE 250V	V5	EL84	70806623	EL-84 TUBE		
F3	1AFB	70900085	FUSE AGC 1	V6	EL84	70806623	EL-84 TUBE		
F4	1AFB	70900085	FUSE AGC 1	V7	EL84	70806623	EL-84 TUBE		
J1	RAMN6164	71466164	JK R/A 12.5MM NIN. MONO-88	VR1	250KAVB	71190514	250K AUD MIN VPC W/BRKT		
J10	HIDSNI	71466042	114BPC STER HD JK NINS PC	VR2	1MAVP5	71190522	1MEG AUD VPC 5% TAPER		
J2	RAMN6164	71466164	JK R/A 12.5MM NIN. MONO-88	VR3	10KAVB	71190528	10K AUD MIN VPC/BRKT		
K1	12VRELAY	71322277	DPDT RELAY 12V	VR4	10KBVB	71190510	10K LIN MIN VPC W/BRKT		
Q1	J231	70405951	2N5951-3586-231 40V N.CH	VR5	1MAVP5	71190522	1MEG AUD VPC 5% TAPER		
R1	150K	70240035	150K—1/4W—5%—CF—T&R	VR6	20KBVB	71190518	20K LIN MIN.VPC/BRKT		
R10	1.5K	70240018	1500—1/4W—5%—CF—T&R	VR7	250KBVB	71190515	250K LIN MIN VPC W/BRKT		
R11	1.5K	70240018	1500—1/4W—5%—CF—T&R	VR8	1MAVB	71190516	1 MEG AUD MIN VPC/BRKT		
R12	1.5K	70240018	1500—1/4W—5%—CF—T&R	VR9	10KRA20	71190523	10KRA MIN VPC/BRKT 20% TPR		
R13	1.5K	70240018	1500—1/4W—5%—CF—T&R						
R14	1.5K	70240018	1500—1/4W—5%—CF—T&R						
R15	100K	70240034	100K—1/4W—5%—CF—T&R						
R16	18K	70240028	18K—1/4W—5%—CF—T&R						
R17	330	70240014	330—1/4W—5%—CF—T&R						



TUBE AMP CLASSIC 20

REVIEWS 3182410
3888/818 015293
COPYRIGHT 1988 PA-20-1
PEAVEY ELECTRONICS CORP.
L.K.V.

BARCODE