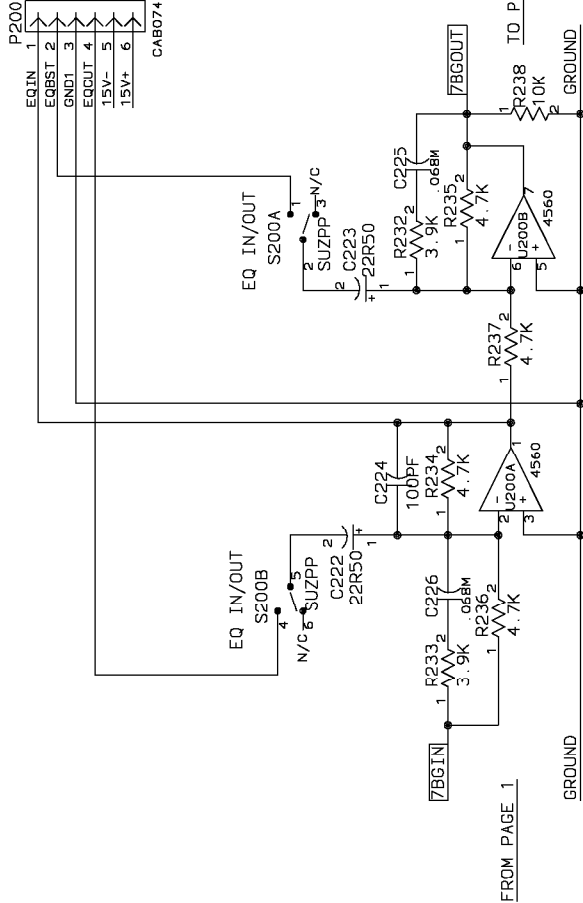


NOTE HIGHEST REF : R238 C226 U204 S200 VR206

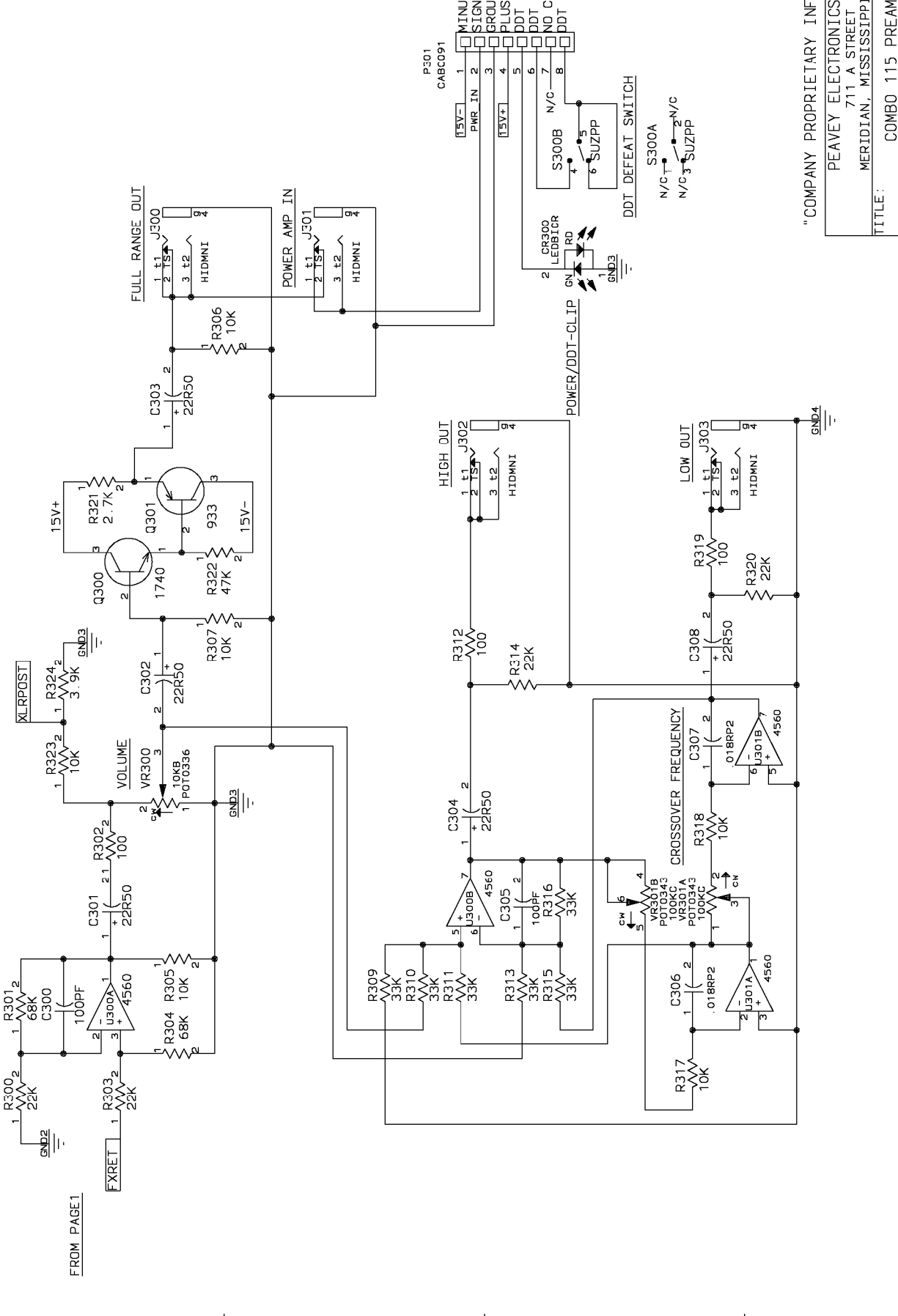
TO GRAPHIC BOARD



"COMPANY PROPRIETARY INFORMATION"
PEAVEY ELECTRONICS CORP.
711 A STREET
MERIDIAN, MISSISSIPPI 39301

TITLE:		COMBO 115 PREAMP	
ENGINEER:	J. Albert		
SIZE	CODE	ECB #	REV
B	JRA	98899130	A
PRINT	ASSY #	99099130	A
DATE:	PROJ #	P9800147	
	DATE:	9-APR-2001	SHEET 2 OF 5

NOTE HIGHEST REF: R322 C308 U301 J303 VR301 CR300 S300 P301 Q301



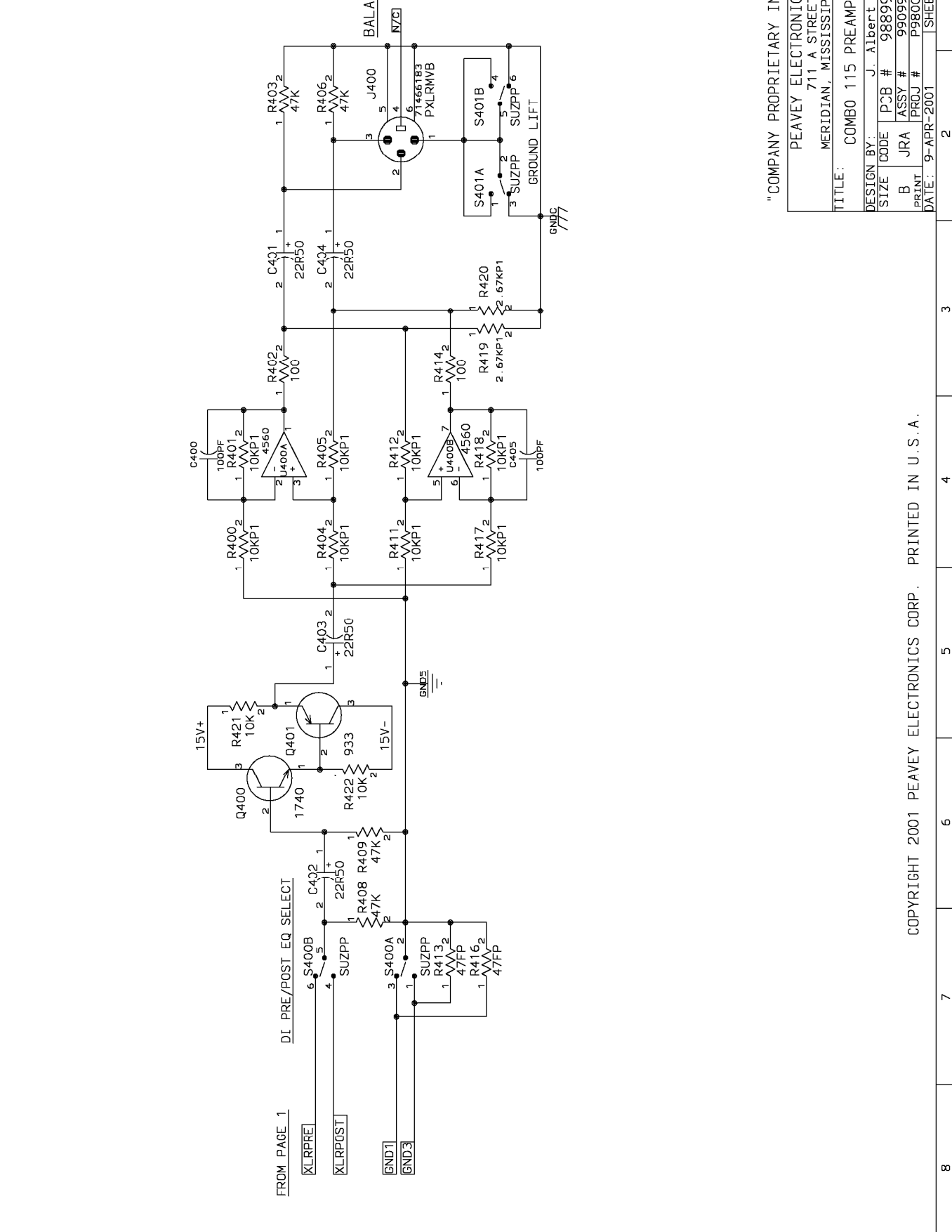
FROM PAGE 1

COPYRIGHT 2001 PEAVEY ELECTRONICS CORP. PRINTED IN U.S.A.

"COMPANY PROPRIETARY INFORMATION"

PEAVEY ELECTRONICS CORP. 711 A STREET MERIDIAN, MISSISSIPPI 39301	
TITLE: COMBO 115 PREAMP	
DESIGN BY: J. Albert	REV
SIZE CODE PCB # 98899130	B
JRA ASSY # 99099130	B
PRINT PROJ # P9800147	
DATE: 9-APR-2001	SHEET 3 OF 5

NOTE HIGHEST REF.: R420 C405 U400 J400 S400 Q401



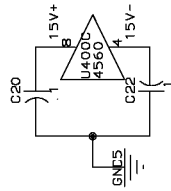
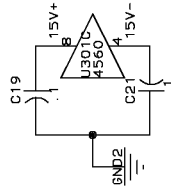
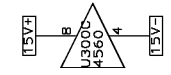
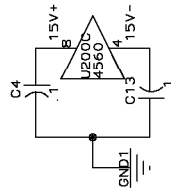
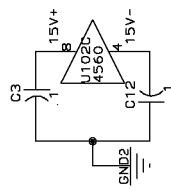
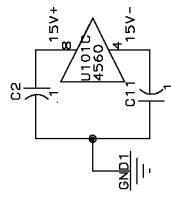
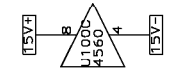
"COMPANY PROPRIETARY INFORMATION"

PEAVEY ELECTRONICS CORP.	
711 A STREET	
MERIDIAN, MISSISSIPPI 39301	
TITLE: COMBO 115 PREAMP	
DESIGN BY: J. Albert	
SIZE CODE PCB # 98899130	REV
B JRA ASSY # 99098130	A
PRINT PROJ # P9800147	
DATE: 9-APR-2001	SHEET 4 OF 5

COPYRIGHT 2001 PEAVEY ELECTRONICS CORP. PRINTED IN U.S.A.

8 7 6 5 4 3 2 1

NOTE HIGHEST REF: U400 C24

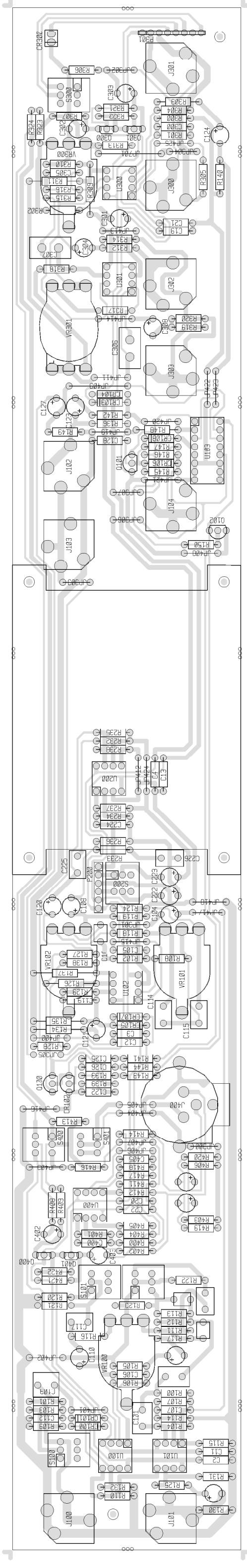


"COMPANY PROPRIETARY INFORMATION"

PEAVEY ELECTRONICS CORP.	
711 A STREET	
MERIDIAN, MISSISSIPPI 39301	
TITLE: COMBO 115 PREAMP	
ENGINEER: J. Albert	
SIZE	REV
B	A
PCB #	ASSY #
98899130	99099130
PROJ #	PRINT
P9800147	P9800147
DATE: 9-APR-2001	SHEET 5 OF 5

COPYRIGHT 2001 PEAVEY ELECTRONICS CORP. PRINTED IN U.S.A.

D C B A



Combo 2000 PREAMP

BILL OF MATERIALS REPORT

BOARD NAME: C2KPRE REPORT DATE: 16DEC99
 ASSEMBLY LEVEL NUMBER: 99099130 DESIGNER: FREDDIE EAVES
 PROJECT NUMBER: P9800147
 CBDS
 PART DESCRIPTION AND
 QTY, NAME VALUE NUMBER DEVICE DESIGNATIONS ***

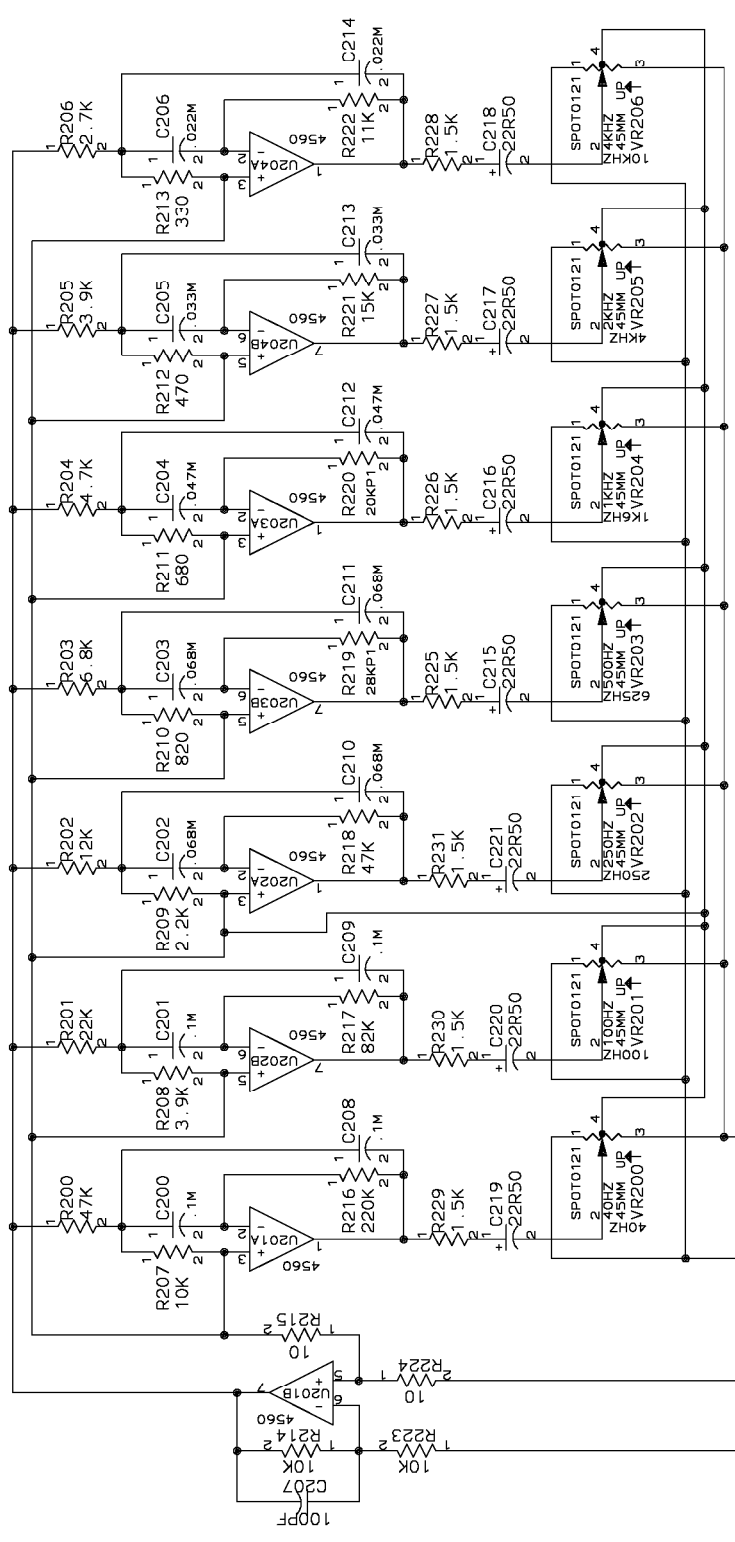
1	98899130	98899130	PCB		
3	.0068M	70330117	.0068mf--5%---50vdc---my---t&a		
		C102, C109, C116			
2	.018RP2	70330139	.018MF-----2%-----50VDC----PP----T&A		
		C306, C307			
1	.033M	70330115	.033 MFD 50VDC 5% MY T&A		
		C117			
4	.068M	70330124	.068M 5% 50vdc my T&A		
		C114, C115, C225, C226			
14	.1	70340100	.1MF-----+80+20%--50VDC----AXL----T&R		
		C2, C3, C4, C11, C12, C13, C19, C20, C21, C22, C122, C125, C126, C128			
2	.1M	70330129	.1M 5% 50vdc my T&A		
		C100, C101			
1	.22M	70330128	.22M 5% 50vdc my T&A		
		C113			
1	.82M	70330122	.82mf 5% 50vdc my T&A		
		C103			
3	10	70240003	10----1/4W--5%-----CF--T&R		
		R137, R141, R144			
6	100	70240010	100---1/4W--5%-----CF--T&R		
		R125, R302, R312, R319, R402, R414			
8	100K	70240034	100K--1/4W--5%-----CF--T&R		
		R122, R123, R136, R140, R145, R148, R149, R150			
6	100PF	70340054	100PF-----10%-----50VDC----T/C----T&R		
		C106, C224, C300, C305, C400, C405			
23	10K	70240025	10K---1/4W--5%-----CF--T&R		
		R105, R111, R112, R113, R115, R124, R129, R130, R131, R132, R134, R135, R143, R146, R238, R305, R306, R307, R317, R318, R323, R421, R422			
8	10KPI	70241050	10K---1/4W--1%-----MF--T&R		
		R400, R401, R404, R405, R411, R412, R417, R418			
1	15K	70240027	15K---1/4W--5%-----CF--T&R		
		R108			
2	1740	70401740	25C1740SLN 40V, 1A, NPN, LOW NOISE T&A		
		Q300, Q400			
1	180PF	70340056	180PF-----10%-----50VDC----T/C----T&R		
		C105			
1	1K	70240017	1K----1/4W--5%-----CF--T&R		
		R147			

2	1M	70240039	1M----1/4W--5%-----CF--T&R		
		R109, R133			
8	1N4148	4148	1N4148 75V 10MA SILICON DIODE		
		CR100, CR101, CR103, CR104, CR105, CR106, CR107, CR108			
2	2.67KPI	2.67KPI	70241018 2.67K-1/4W--1%-----MF--T&R		
		R419, R420			
2	2.7K	2.7K	70240021 2.7K--1/4W--5%-----CF--T&R		
		R117, R321			
6	22K	22K	70240029 22K--1/4W--5%-----CF--T&R		
		R106, R107, R300, R303, R314, R320			
21	22R50	22R50	70320181 22MF-----20%-----50VDC---EL--T&A		
		C104, C108, C110, C111, C118, C120, C121, C123, C124, C127, C222, C223, C301, C302, C303, C304, C308, C401, C402, C403, C404			
1	240K	240K	70241094 240K--1/4W--5%-----CF--T&R		
		R110			
2	270PF	270PF	70340057 270PF-----10%-----50VDC----T/C----T&R		
		C107, C119			
2	2N3919	3919	70463919 SKA-3919 T092 NPN TRANS T&A		
		Q101, Q102			
1	3.3K	3.3K	70240022 3.3K--1/4W--5%-----CF--T&R		
		R120			
3	3.9K	3.9K	70241093 3.9K--1/4W--5%-----CF--AXL		
		R232, R233, R324			
1	30.1KPI	30.1KPI	70241031 30.1K-1/4W--1%-----MF--T&R		
		R103			
7	33K	33K	70240030 33K--1/4W--5%-----CF--T&R		
		R114, R309, R310, R311, R313, R315, R316			
2	39K	39K	70240048 39K--1/4W--5%-----CF--T&R		
		R100, R104			
1	39PF	39PF	70340052 39PF-----50VDC----T/C----T&R		
		C112			
2	4.7	4.7	70240002 4.7--1/4W--5%-----CF--T&R		
		R138, R139			
6	4.7K	4.7K	70240023 4.7K--1/4W--5%-----CF--T&R		
		R126, R127, R234, R235, R236, R237			
7	4560	4560	70414560 4560 DUAL OP AMP IC		
		U100, U101, U102, U200, U300, U301, U400			
3	470	470	70240015 470--1/4W--5%-----CF--T&R		
		R116, R128, R142			
2	47FP	47FP	70240090 47FP--1/4W--5%-----FP--T&R		
		R413, R416			
5	47K	47K	70240031 47K--1/4W--5%-----CF--T&R		
		R322, R403, R406, R408, R409			
1	5.62KPI	5.62KPI	70241008 5.62K-1/4W--1%-----MF--T&R		

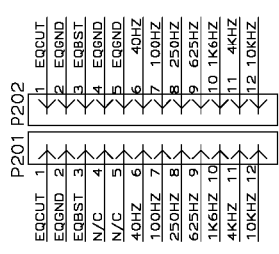
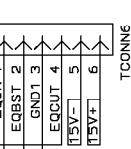
		R102			
1	66.5KPI	66.5KPI	70240128 66.5K 1% 1/4W MF T&R		
		R101			
1	680K	680K	70240065 680K----1/4W--5%-----CF--T&R		
		R121			
2	68K	68K	70240032 68K---1/4W--5%-----CF--T&R		
		R301, R304			
2	8.2K	8.2K	70240049 8.2K--1/4W--5%-----CF--T&R		
		R118, R119			
2	933	933	70400933 2SA933ASLN 40V, 1A, PNP, LOW NOISE T&A		
		Q301, Q401			
1	CAB0091	70600091	8C-100--24" W/ 8PIDC		
		P301			
1	CAB074	CAB074	70600074 6 CON. 1" VERT RIBBON CABLE ASSEMBLY 4"		
		P200			
1	DG211	DG211	70420211 DG211 CJ1C.		
		U103			
9	HIDMNI	71466214	2 TIP HID JACK NINS W/SPD		
		J100, J101, J102, J103, J104, J300, J301, J302, J303			
1	J174	J174	70460174 J-174 30V TO-92 P-CHAN FET T&A		
		Q100			
1	LEDBICR	LEDBICR	70450056 LED BICOLOR (RED/GREEN) RECT., VERT.		
		CR300			
1	MAC97	MAC97	70460097 MAC97-6 400V .6A TO-92 TRIAC T&A		
		CR102			
2	POT0336	71190336	71190336 10K LIN METRIC SPIDER IMM		
		VR100, VR300			
2	POT0340	71190340	71190340 50K LIN MET SPIDER - W/CTR DINT 1MM		
		VR101, VR102			
1	POT0343	71190343	71190343 100K 20% DL MET SPDR 1MM		
		VR301			
1	PXLRMBV	71466183	71466183 XLB CONN VERT MALE W/BRKT		
		J400			
7	SUZPP	SUZPP	71322251 SUZ P/P SWITCH PC MOUNT		
		S100, S101, S102, S200, S300, S400, S401			

		* END OF BILL OF MATERIALS REPORT *			

NOTE HIGHEST REF: R238 C226 U204 S200 VR206 P202 S0207



P200 TO MOTHER BOARD



"COMPANY PROPRIETARY INFORMATION"

PEAVEY ELECTRONICS CORP.
711 A STREET
MERIDIAN, MISSISSIPPI 39301

TITLE: Combo Graphic Equalizer

ENGINEER: J. Albert

SIZE	CODE	PCB #	98899170	REV
B	JRA	ASSY #	99099170	B
PRINT		PROJ #	P9800147	
DATE:	9-APR-2001			SHEET 2 OF 4

COPYRIGHT 2001 PEAVEY ELECTRONICS CORP. PRINTED IN U.S.A.

BILL OF MATERIALS REPORT

BOARD NAME: C2KEQ REPORT DATE: 14DEC99
 ASSEMBLY LEVEL NUMBER: 990999(7) DESIGNER: FREDDIE EAVES
 PROJECT NUMBER: P9800147

 ** QTY. NAME VALUE NUMBER DEVICE DESIGNATIONS **

QTY.	NAME	VALUE	NUMBER	DEVICE DESIGNATIONS
1	98899170	.98899170	C2KEQ	PCB
2	.022M	.022M	70330134	.022M 5% 50vdc my T&A
			C206, C214	
2	.033M	.033M	70330115	.033 MFD 50VDC 5% MY T&A
			C205, C213	
2	.047M	.047M	70330136	.047M 5% 50vdc my T&A
			C204, C212	
4	.068M	.068M	70330124	.068M 5% 50vdc my T&A
			C202, C203, C210, C211	
8	.1	70340100	.1MF	+80-20% -50VDC --- AXI --- T&R
			C5, C6, C7, C8, C14, C15, C16, C17	
4	.1M	70330129	.1M	5% 50vdc my T&A
			C200, C201, C208, C209	
7	1.5K	70240018	1.5K	-1/4W -5% --- CF -T&R
			R225, R226, R227, R228, R229, R230, R231	
2	10	70240003	10	-1/4W -5% --- CF -T&R
			R215, R224	
1	100PF	70340054	100PF	--- 10% --- 50VDC --- TC --- T&R
			C207	
3	10K	70240025	10K	-1/4W -5% --- CF -T&R
			R207, R214, R225	
1	11K	70240069	11K	-1/4W -5% --- CF -T&R
			R222	
1	12K	70240057	12K	-1/4W -5% --- CF -T&R
			R202	
2	12PRC4	70600057	12C	PRE-TIN .098 CTR 4" JUMPER
			P201, P202	
1	15K	70240027	15K	-1/4W -5% --- CF -T&R
			R221	
1	2.2K	70240020	2.2K	-1/4W -5% --- CF -T&R
			R209	
1	2.7K	70240021	2.7K	-1/4W -5% --- CF -T&R
			R206	
1	20K	70241040	20K	-1/4W -1% --- MF -T&R
			R220	
1	220K	70240036	220K	-1/4W -5% --- CF -T&R
			R216	
1	22K	70240029	22K	-1/4W -5% --- CF -T&R
			R201	
7	22R50	70520181	22MF	--- 20% --- 50VDC --- EL -T&A

C215, C216, C217, C218, C219, C220, C221				
1	28K	70241025	28K	-1/4W -1% --- MF -T&R
			R219	
2	3.9K	70241093	3.9K	-1/4W -5% --- CF -AXL
			R205, R208	
1	330	70240014	330	-1/4W -5% --- CF -T&R
			R213	
4	375SOWH	70900782	70900782	SPCR, R, C, X3.8, SW, AL, ST
			SO200, SO201, SO202, SO203	
1	4.7K	70240023	4.7K	-1/4W -5% --- CF -T&R
			R204	
4	4560	70414560	4560	DUAL OP AMP IC
			U201, U202, U203, U204	
1	470	70240015	470	-1/4W -5% --- CF -T&R
			R212	
2	47K	70240031	47K	-1/4W -5% --- CF -T&R
			R200, R218	
4	500SOW	70900781	70900781	SPACER, 1/2R (#4), 1.87 SWAGE ALUM.
			SO204, SO205, SO206, SO207	
1	6.8K	70240024	6.8K	-1/4W -5% --- CF -T&R
			R203	
1	680	70240016	680	-1/4W -5% --- CF -T&R
			R211	
1	820	70240019	820	-1/4W -5% --- CF -T&R
			R210	
1	82K	70240033	82K	-1/4W -5% --- CF -T&R
			R217	
7	SPT0121	71190121	71190121	50K W-TAPER SLIDER 4.5MM CENTER TAP W/DETENT, INSL
			VR200, VR201, VR202, VR203, VR204, VR205, VR206	

Combo 2000 EQ (Graphic)

1 TCONN6 73716720 73716720 6C-WTB-HDR-SHRD-.098".TIN

P200

 ** END OF BILL OF MATERIALS REPORT **