

PEAVEY ELECTRONICS 711 A STREET MERIDIAN, MISS. 39301	
TITLE DECA-528/DATABASS PWR SUPPLY	
SIZE B	CODE NUMBER XXXXXXXXXX
DATE 30-NOV-88	REV A
SHEET 1 OF 3	

J111	RDVLED	1
J111	DDTLED	2
J111	FTTLED	3
J111	LEDPWR	4

1 2 3 4 5 6 7 8

TO CONTROL BOARD

TO PREAMP BOARD

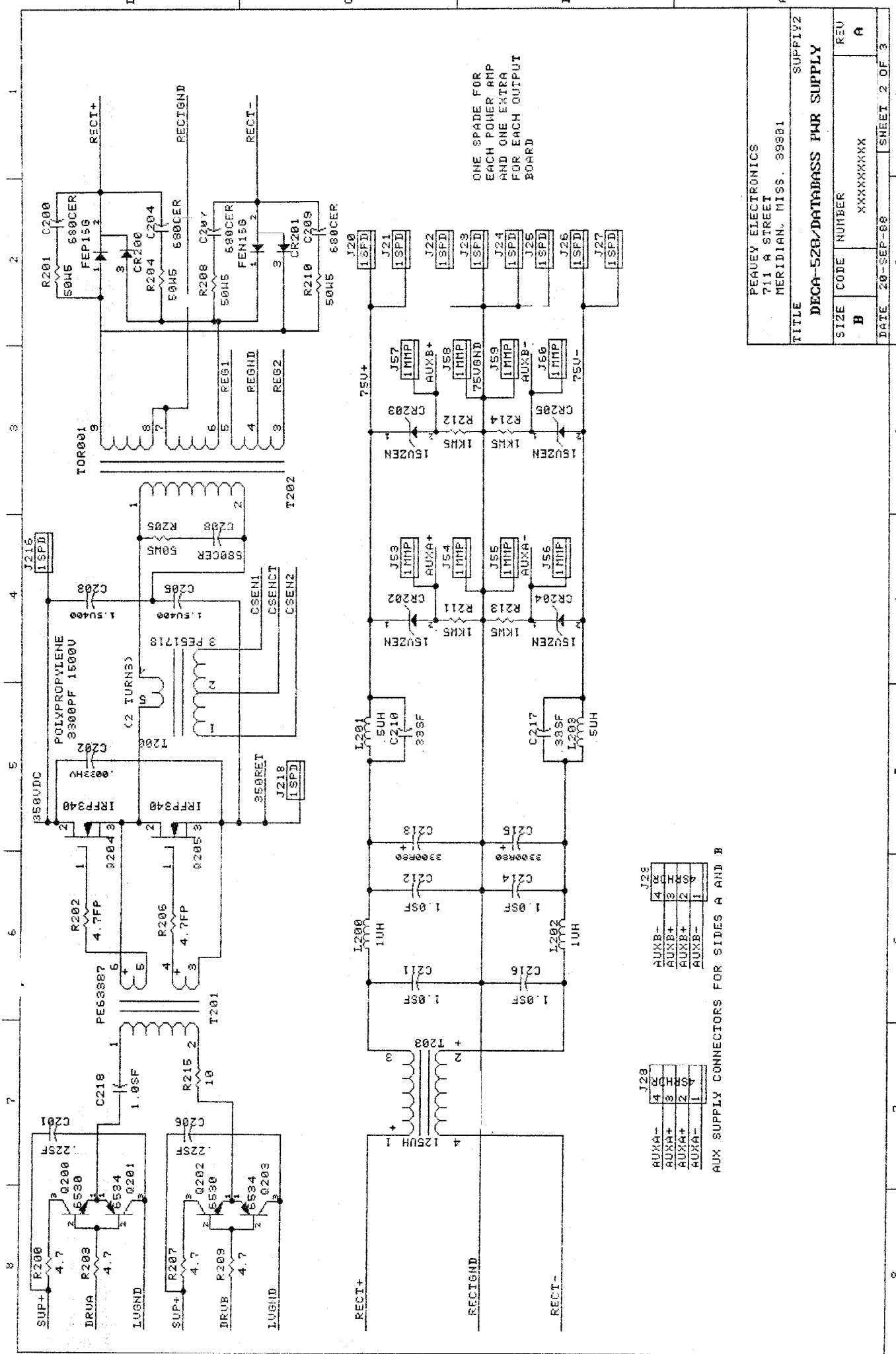
FROM LOW VOLTAGE TRANSFORMER SECONDARY

TO 24 VOLT DC FAN

INSERT JMP FOR DOMESTIC

RDVLED
DDTLED
FTTLED
LEDPWR

1 2 3 4 5 6 7 8



ONE SPADE FOR EACH POWER AMP AND ONE EXTRA FOR EACH OUTPUT BOARD

AUX SUPPLY CONNECTORS FOR SIDES A AND B

J28	AUXA-	AUXA+	AUXB-	AUXB+
4	0	8	0	8
5	1	9	1	9
6	2	10	2	10
7	3	11	3	11

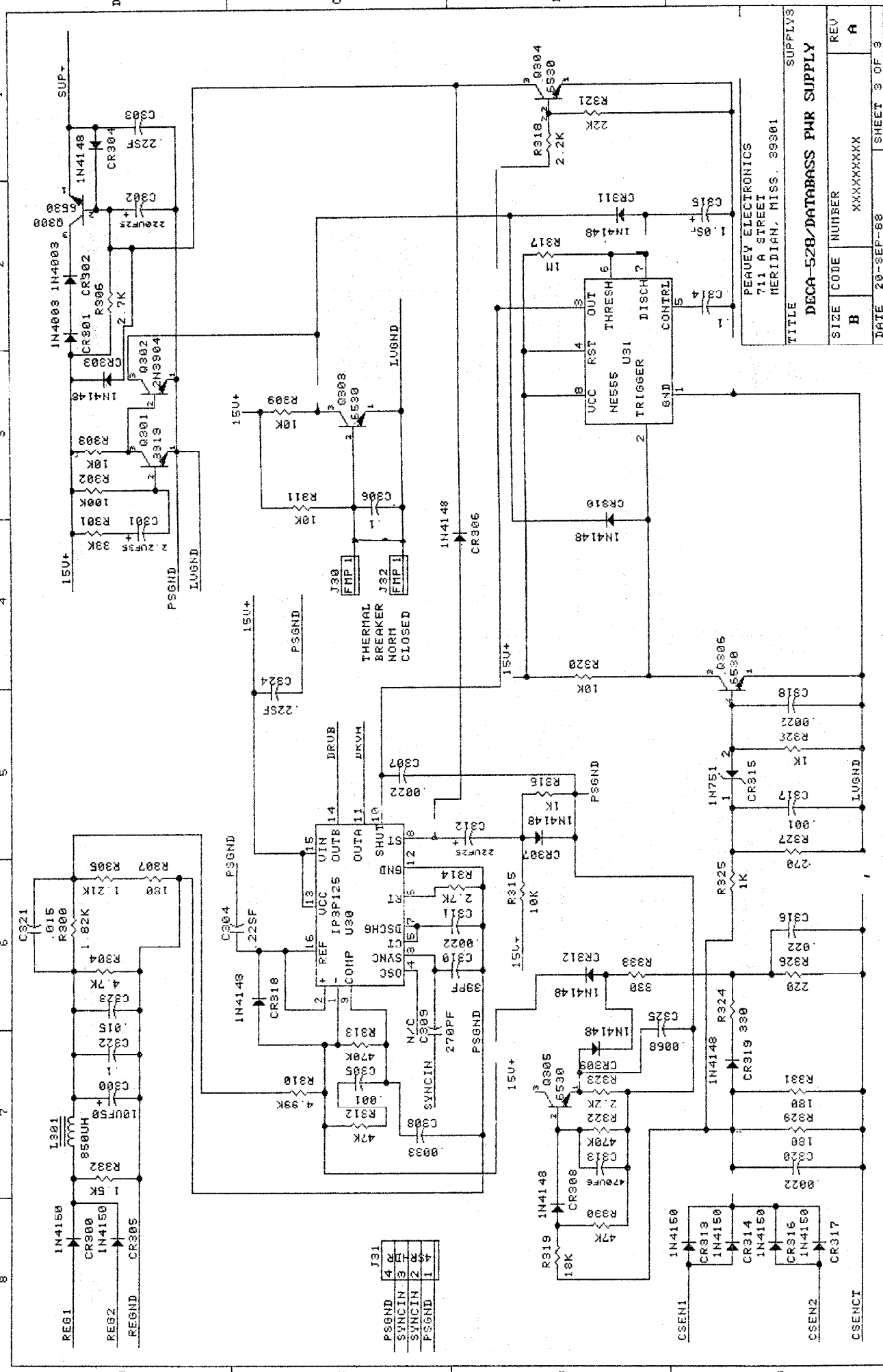
J26	AUXB-	AUXB+
4	0	8
5	1	9
6	2	10
7	3	11

PEAVEY ELECTRONICS
 711 A STREET
 MERIDIAN, MISS. 39301

TITLE: SUPPLY2
 DECA-528/DATABASS PWR SUPPLY

SIZE: B
 CODE NUMBER: XXXXXXXXX
 REV: A

DATE: 20-SEP-88
 SHEET 2 OF 3

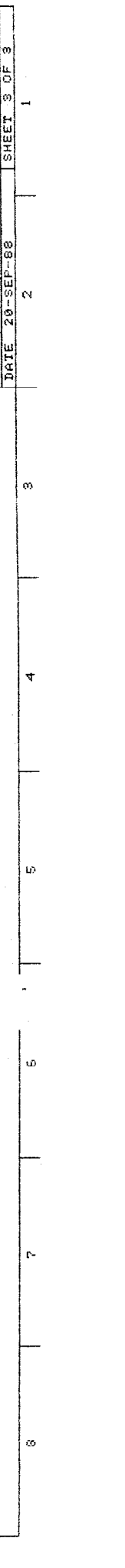
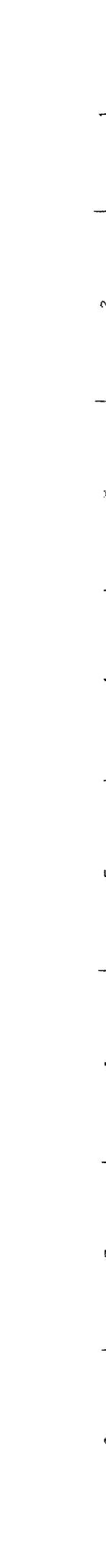


TITLE
 DECA-52B/DATABASS PWR SUPPLY
 SUPPLY3

SIZE CODE NUMBER
 B XXXXXXXXXX

REV
 A

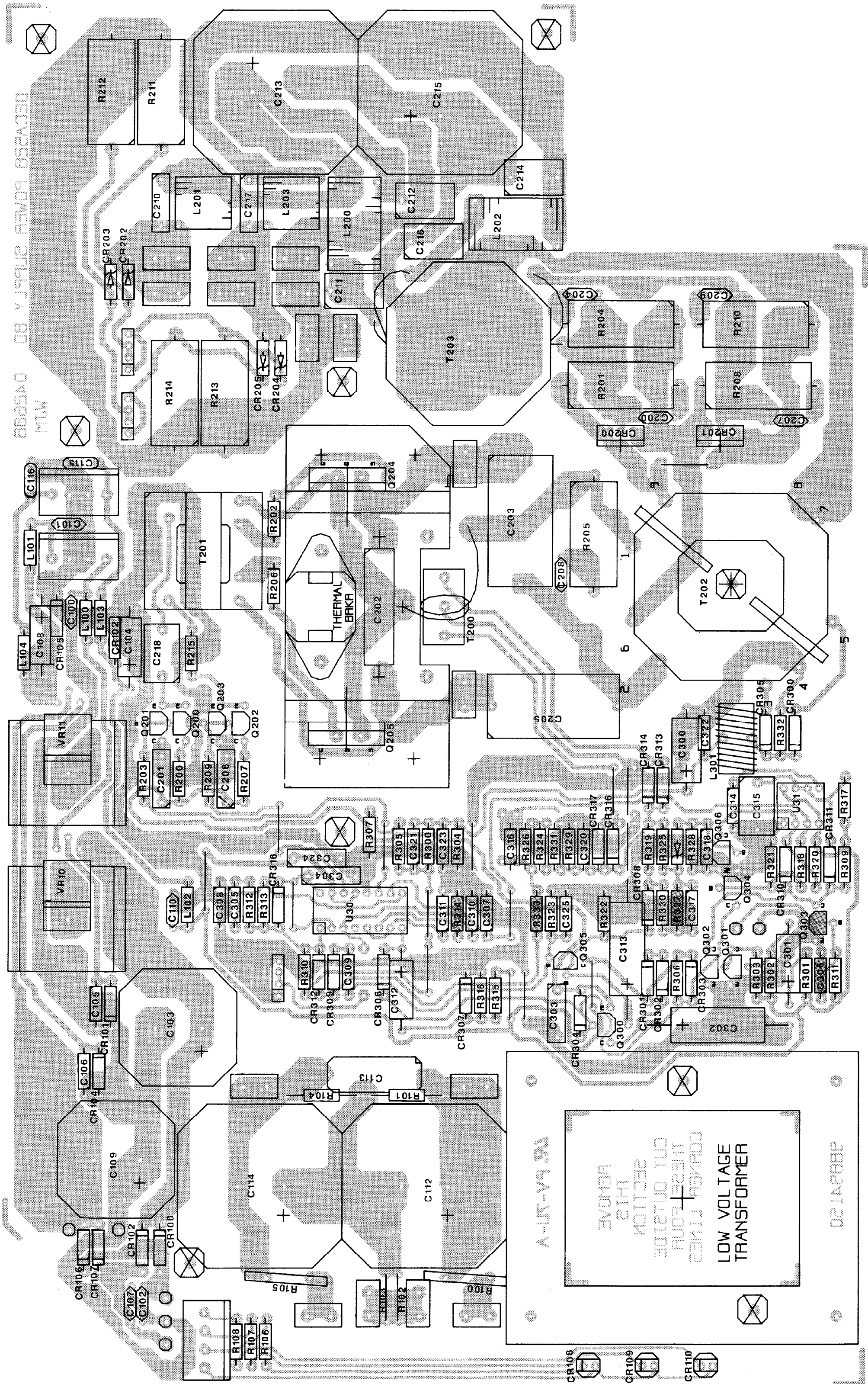
DATE 20-SEP-68 SHEET 3 OF 3



J31

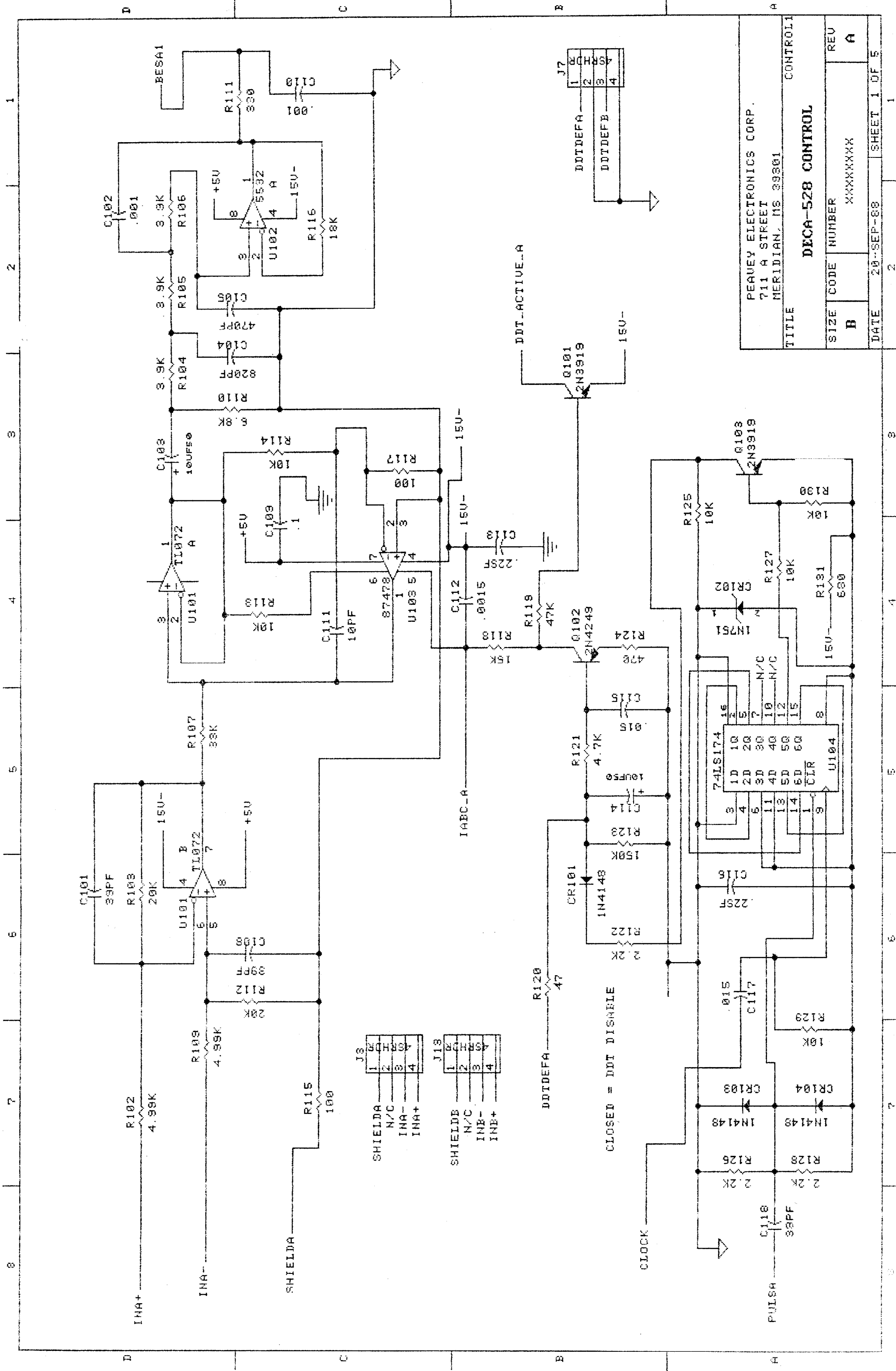
PSGND	4	2
SYNCIN	3	4
SYNCIN	2	2
PSGND	1	4

8825A0 03 YJ99U2 FEM09 852AC30
MLW



CR108
CR109
CR110

A-UT-V9.8A
EVONER
2IHT
MOITJEE
FOI2TUO TUD
RUD7+E23HT
23MLJ FEMR00
LOW VOLTAGE
TRANSFORMER
021A288E



PERUEY ELECTRONICS CORP.
 711 A STREET
 MERIDIAN, MS 39301

DECA-528 CONTROL

CONTROL 1

TITLE	SIZE	CODE	NUMBER	REV
	B		XXXXXXX	A

DATE 20-SEP-88 SHEET 1 OF 5

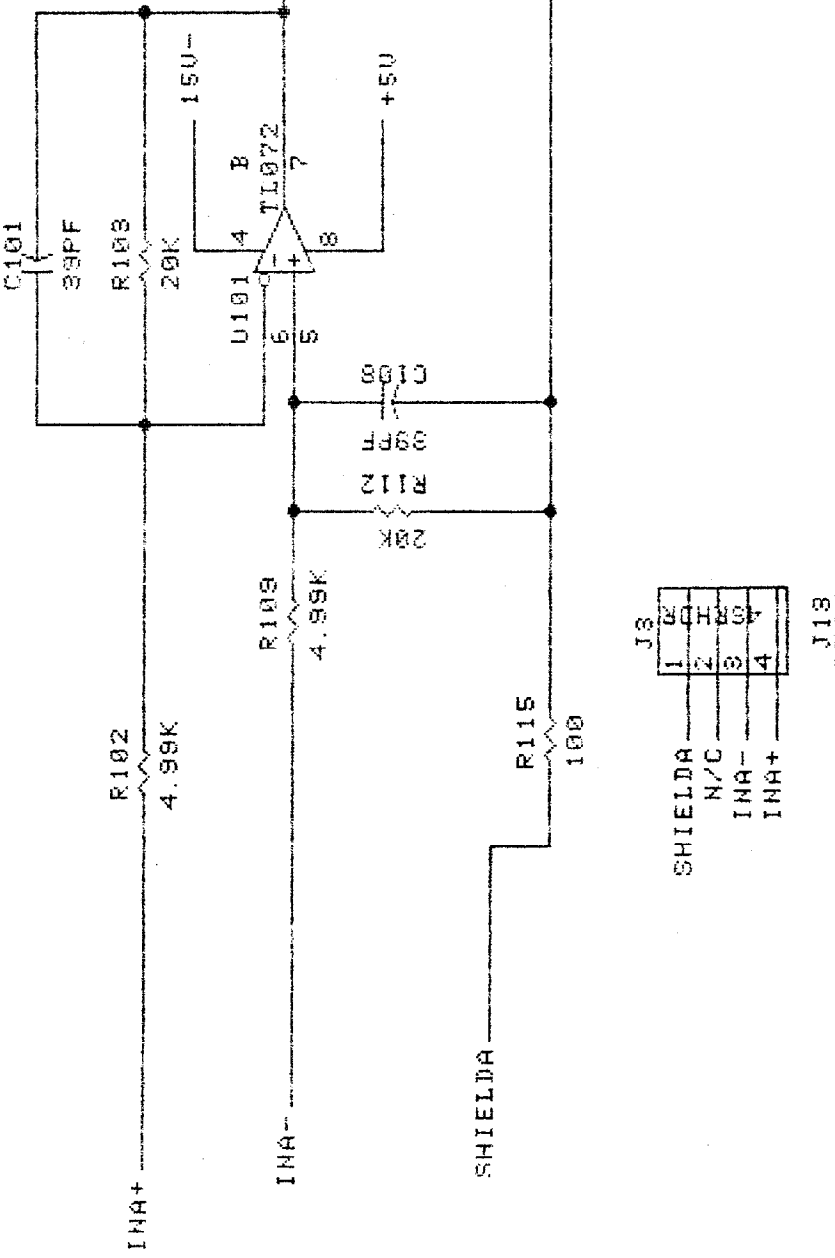
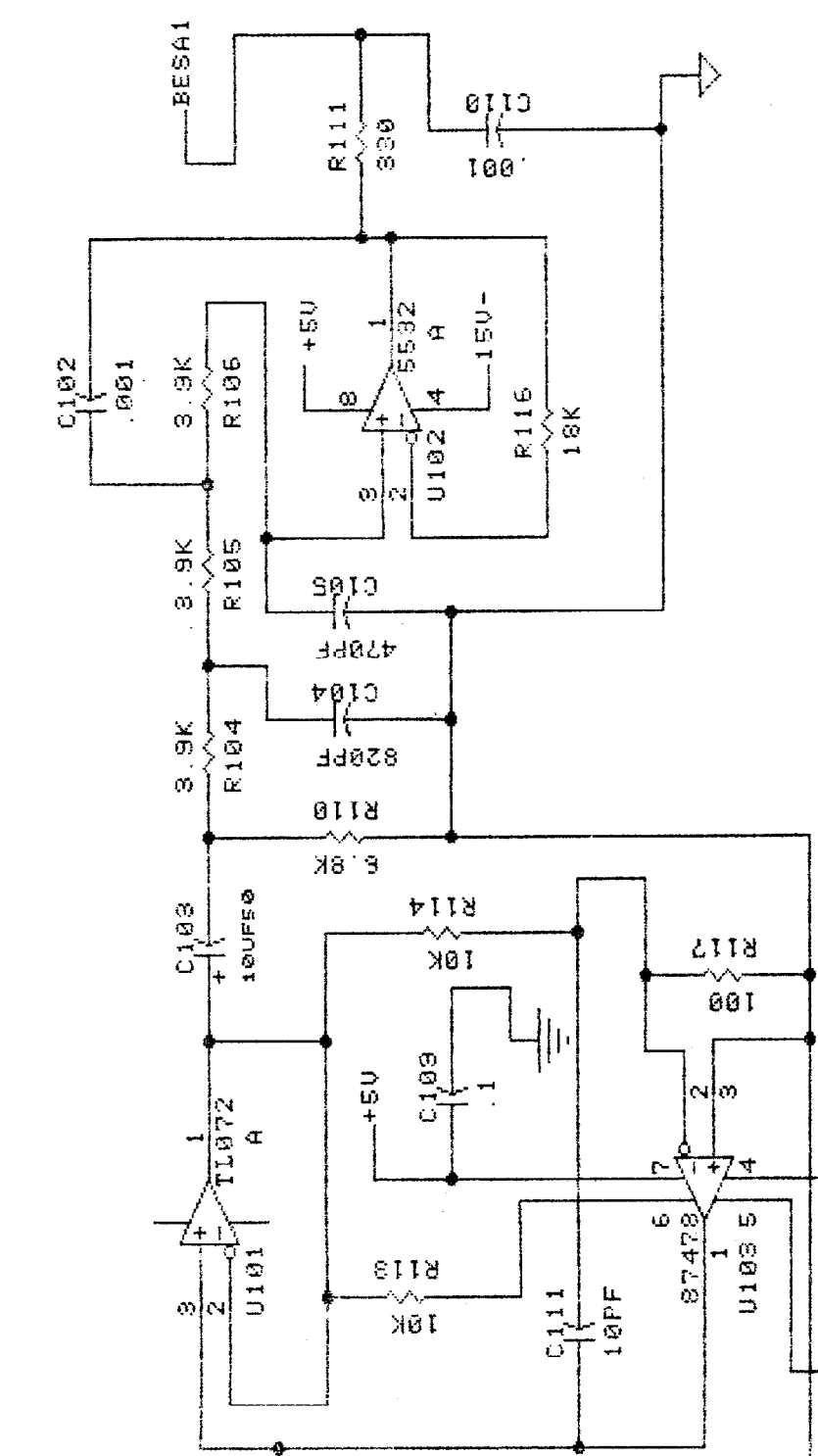
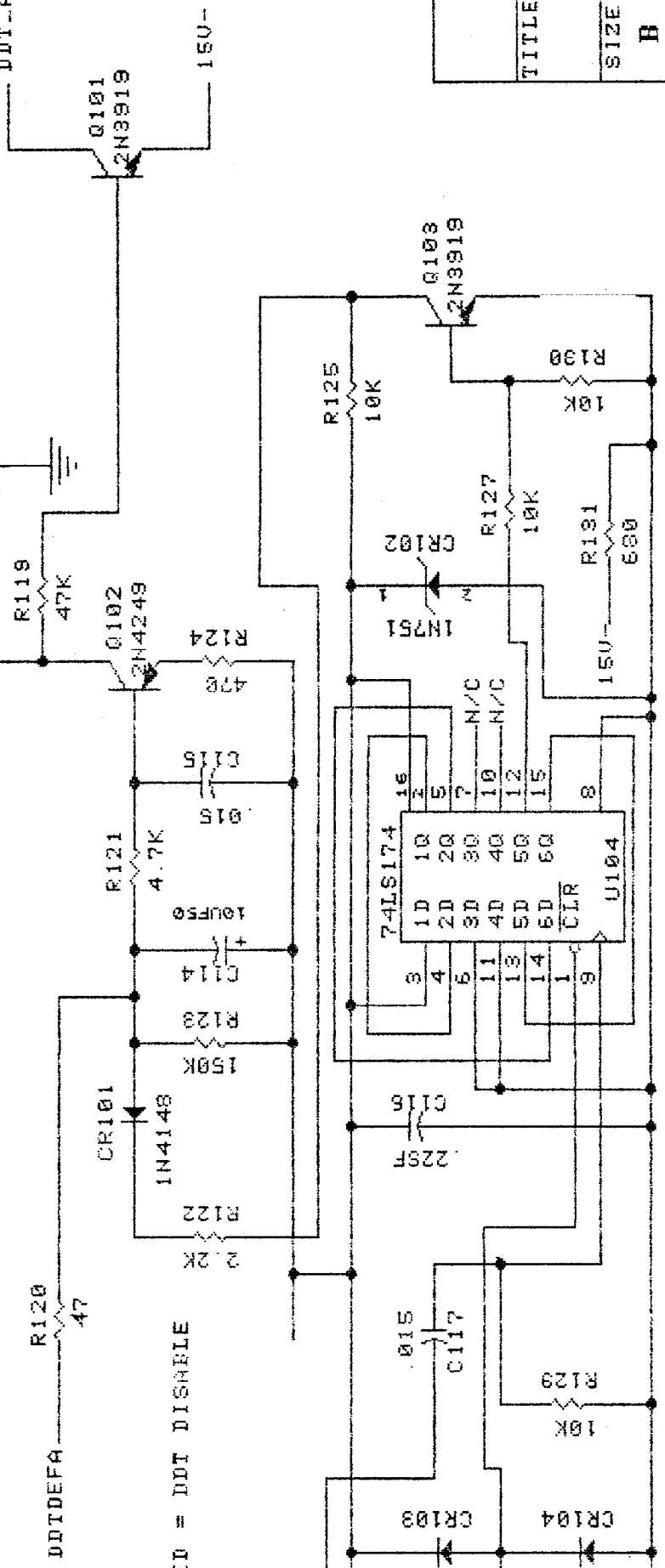
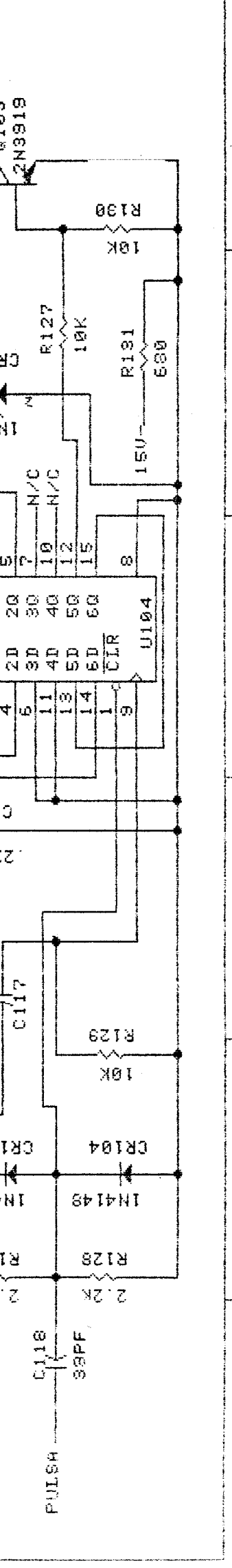
J3

1	SHIELD A
2	N/C
3	INA-
4	INA+

J13

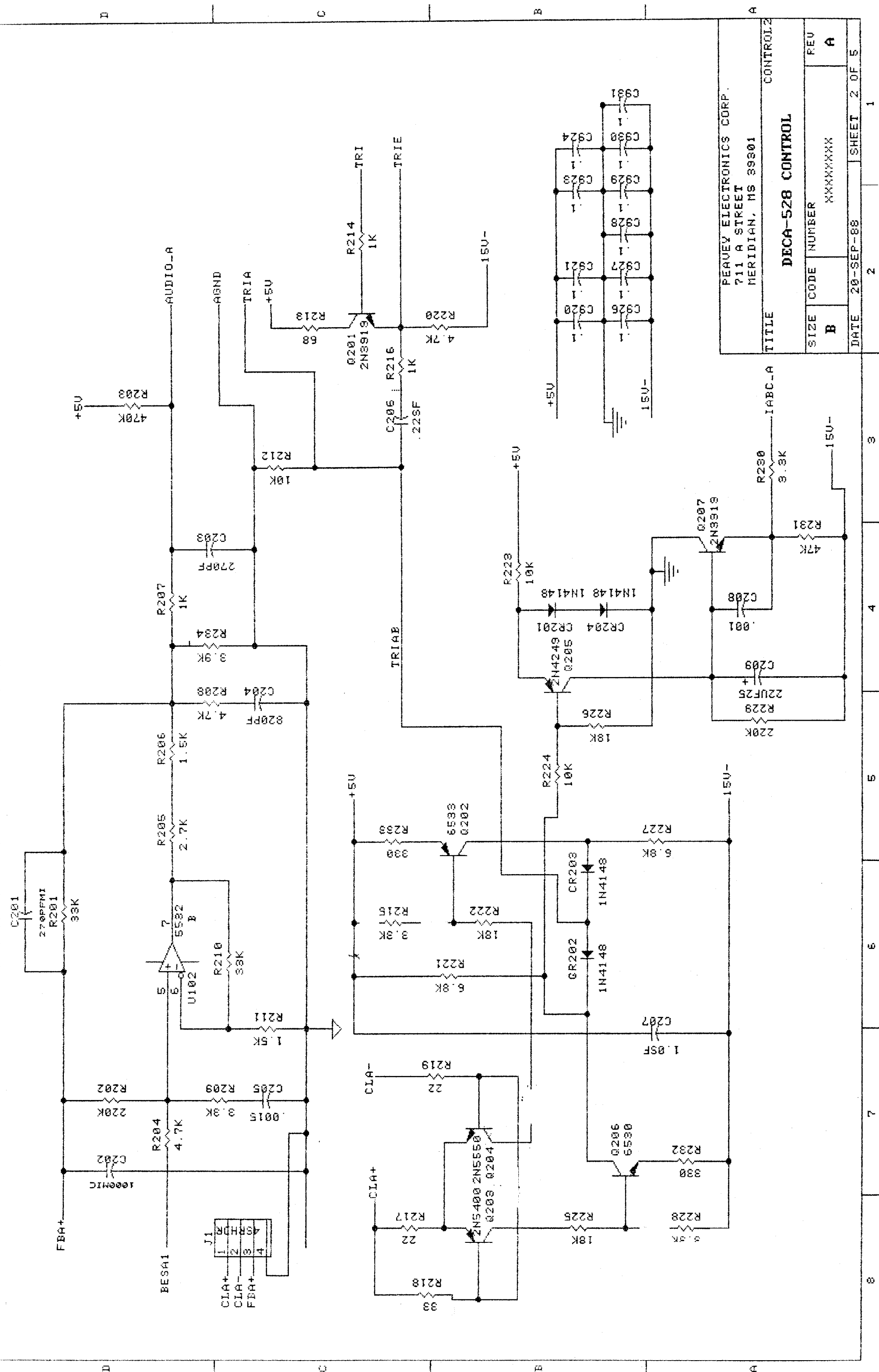
1	SHIELD B
2	N/C
3	INB-
4	INB+

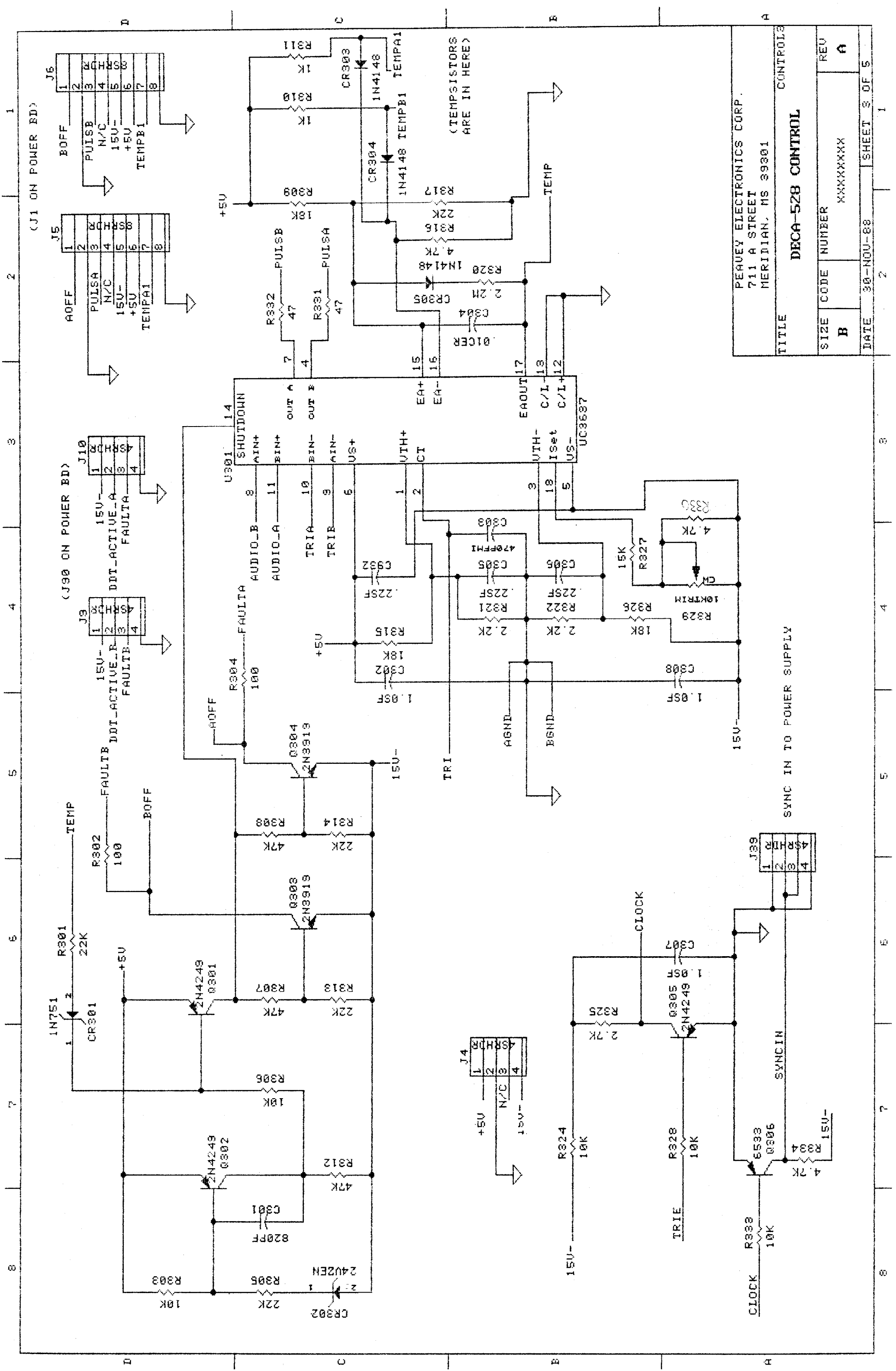
CLOSED = DDT DISABLE



PEAVEY ELECTRONICS CORP. 711 A STREET MERIDIAN, MS 39301		
TITLE CONTROL2		
SIZE	CODE	NUMBER
B		XXXXXXXXXX
REV	A	
DATE	29-SEP-88	SHEET 2 OF 5

DECA-528 CONTROL





(J1 ON POWER BD)

(J90 ON POWER BD)

(J9 ON POWER BD)

(J751 ON POWER BD)

(J4 ON POWER BD)

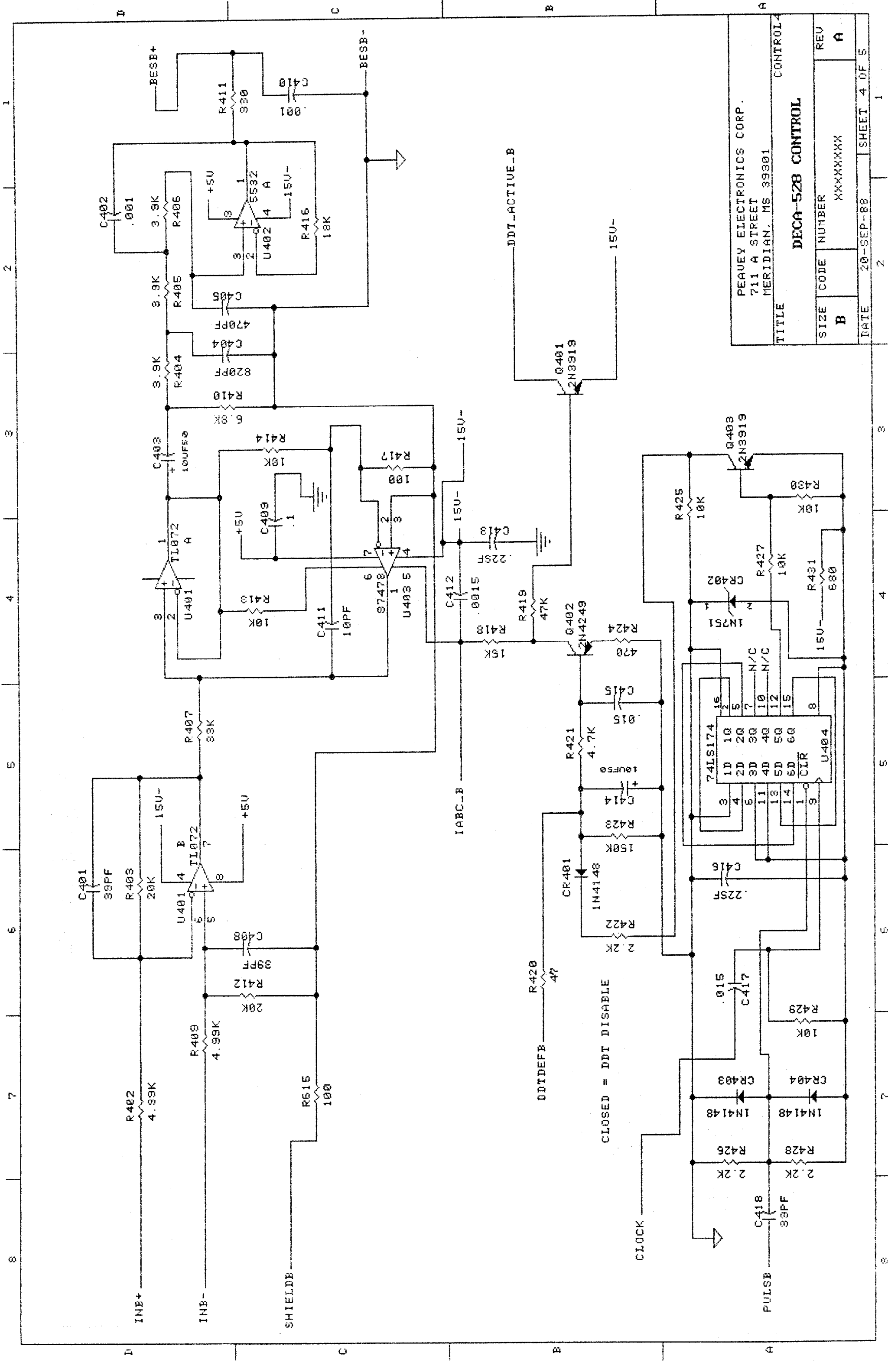
(J39 ON POWER BD)

(TEMPERISTORS ARE IN HERE)

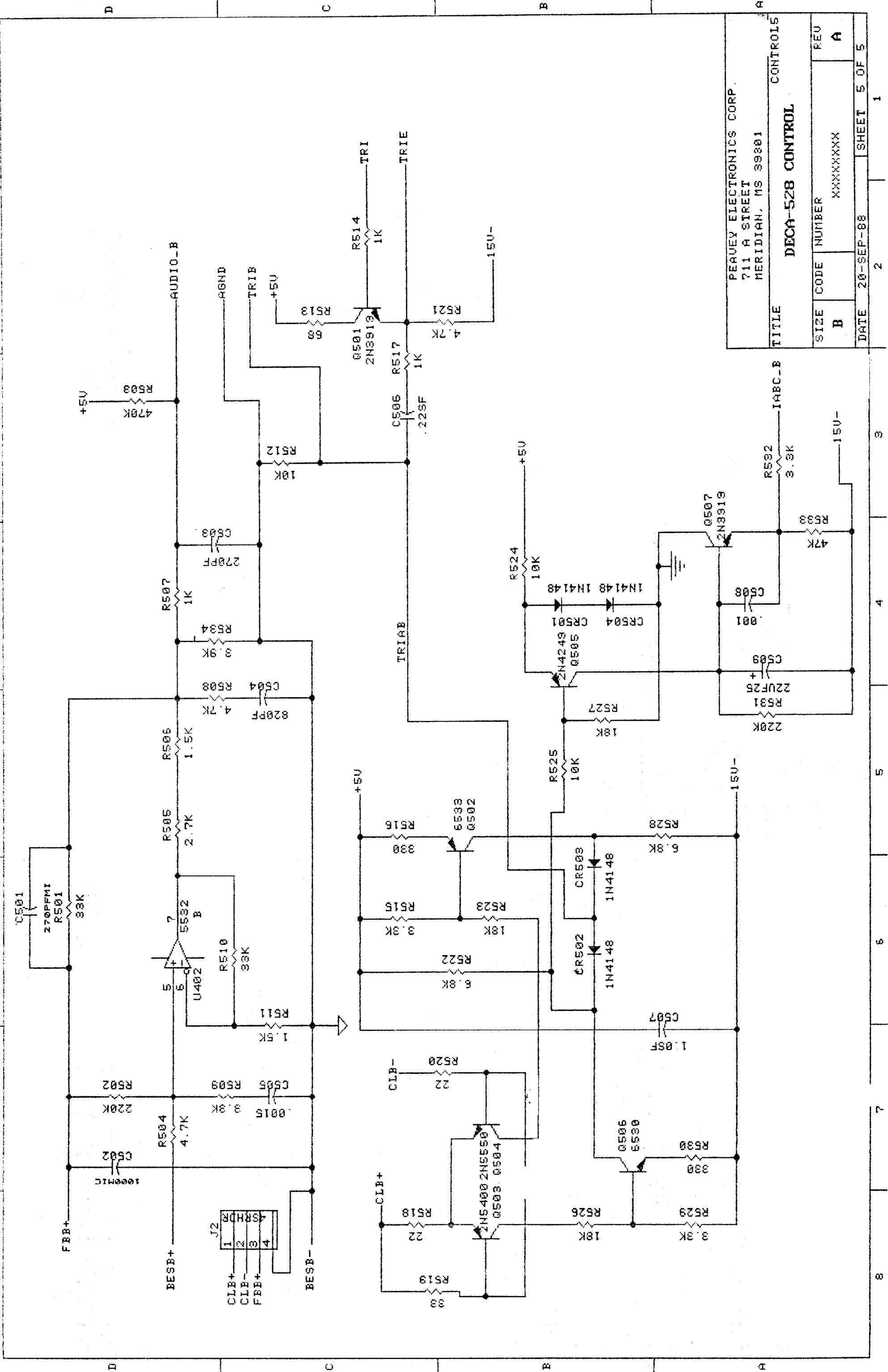
PEAVEY ELECTRONICS CORP.
711 A STREET
MERIDIAN, MS 39301

TITLE		CONTROLS	
DECA-52B CONTROL			
SIZE	CODE	NUMBER	REV
B		XXXXXXXXXX	A
DATE	30-NOV-88	SHEET 3 OF 5	

SYNC IN TO POWER SUPPLY



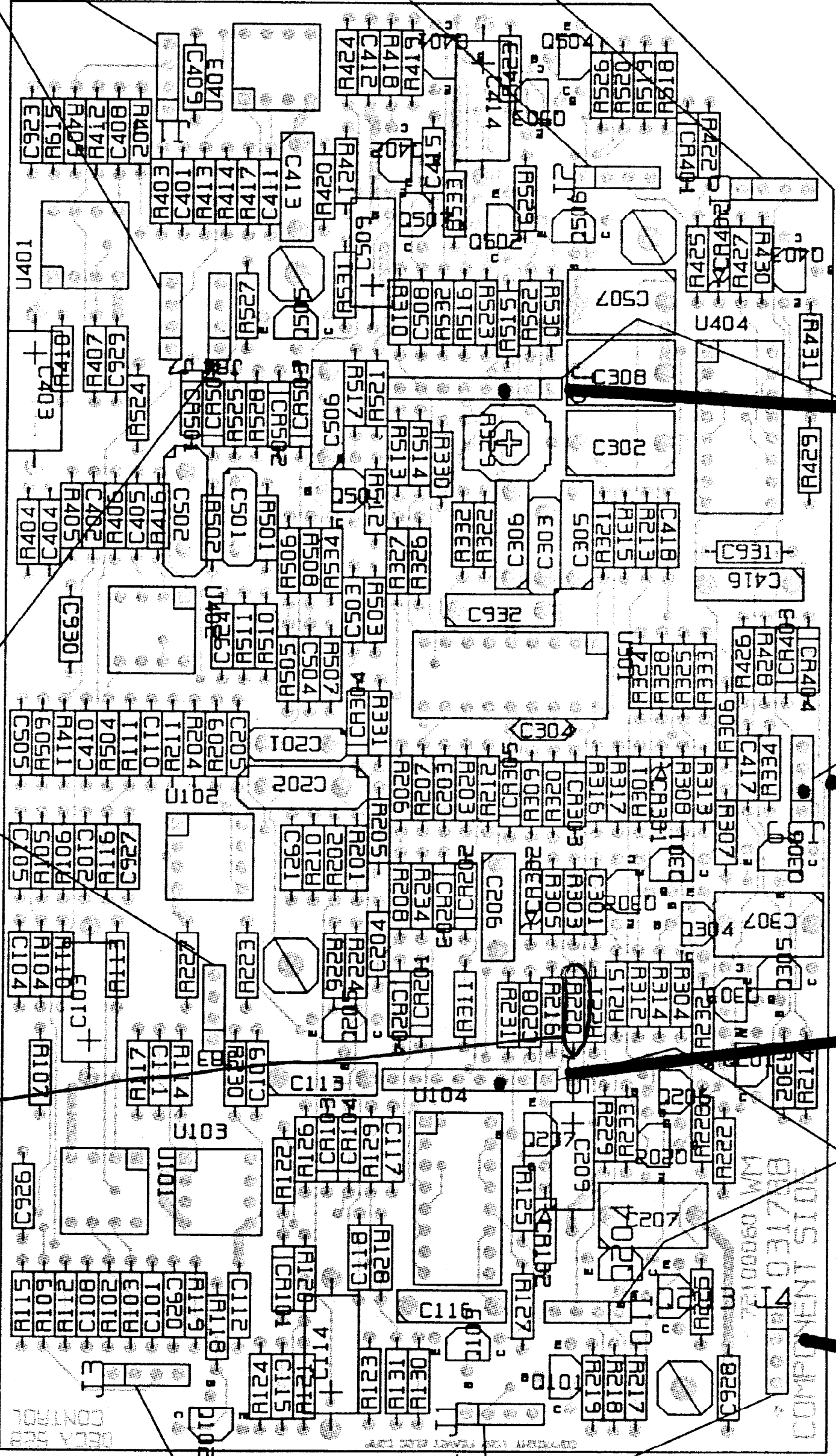
PEARVEY ELECTRONICS CORP. 711 A STREET MERIDIAN, MS 39301	
TITLE	CONTROL-4
SIZE	B
CODE	XXXXXXXX
NUMBER	XXXXXXXX
REV	A
DATE	20-SEP-88
SHEET	4 OF 5



PEAVEY ELECTRONICS CORP. 711 A STREET MERIDIAN, MS 39301		TITLE DECA-52B CONTROL	
SIZE B	CODE XXXXXXX	NUMBER XXXXXXX	REV A
DATE 20-SEP-88	SHEET 5 OF 5		1

HEADERS UP (4)

DOUBLE ENDED HEADERS
LONGEST LEADS DOWN



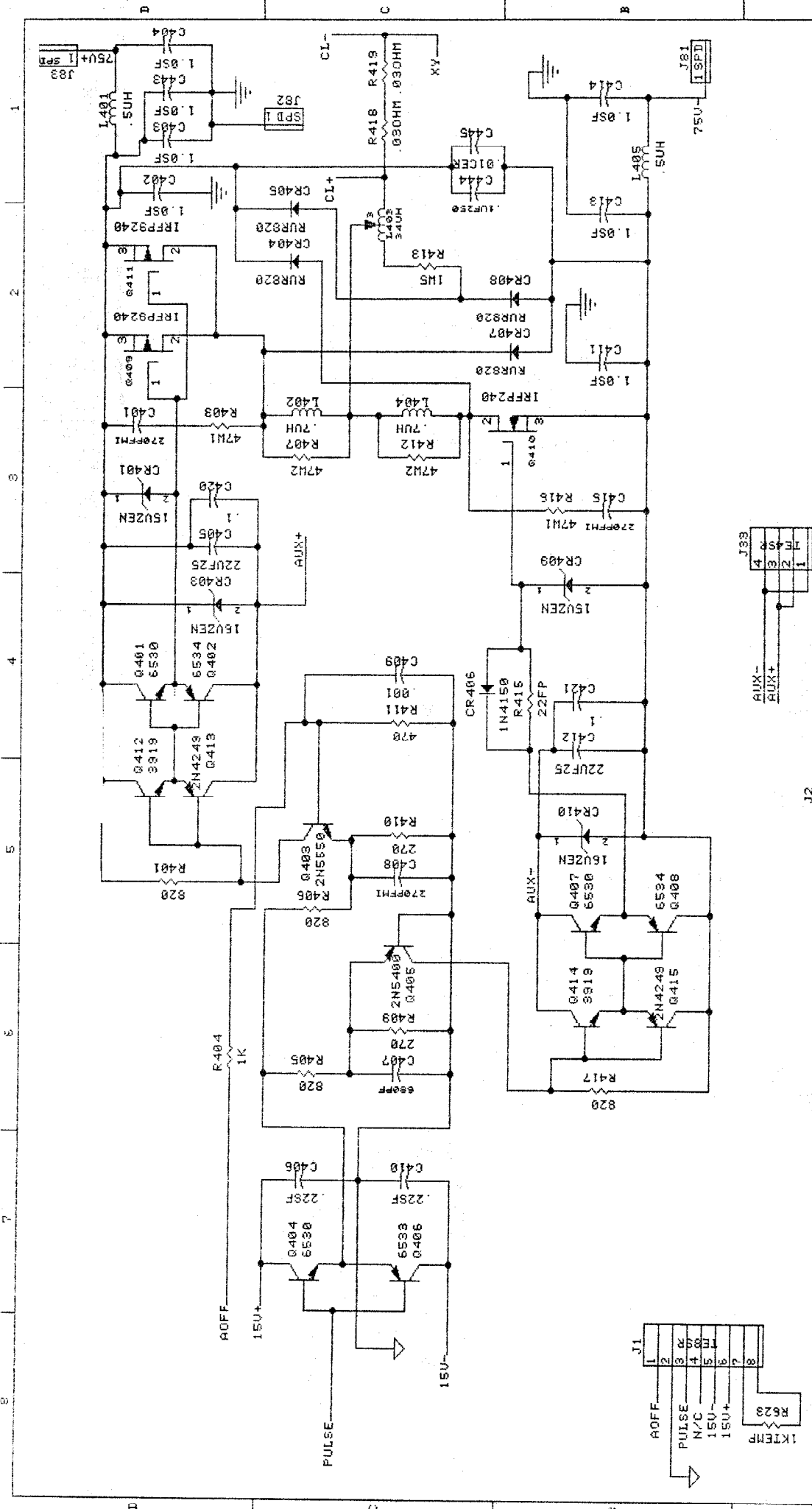
HEADERS DOWN (2)

HEADER UP

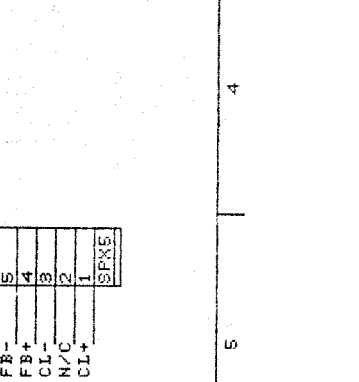
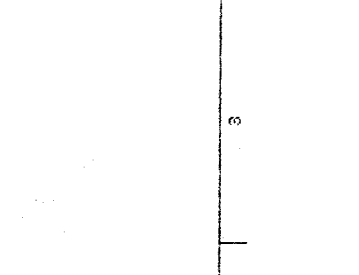
HEADER DOWN

HEADERS UP (3)

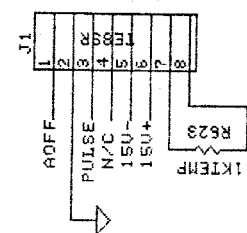
2015 INVENTOR
DATE 03/17/10
COMPONENT SIDE

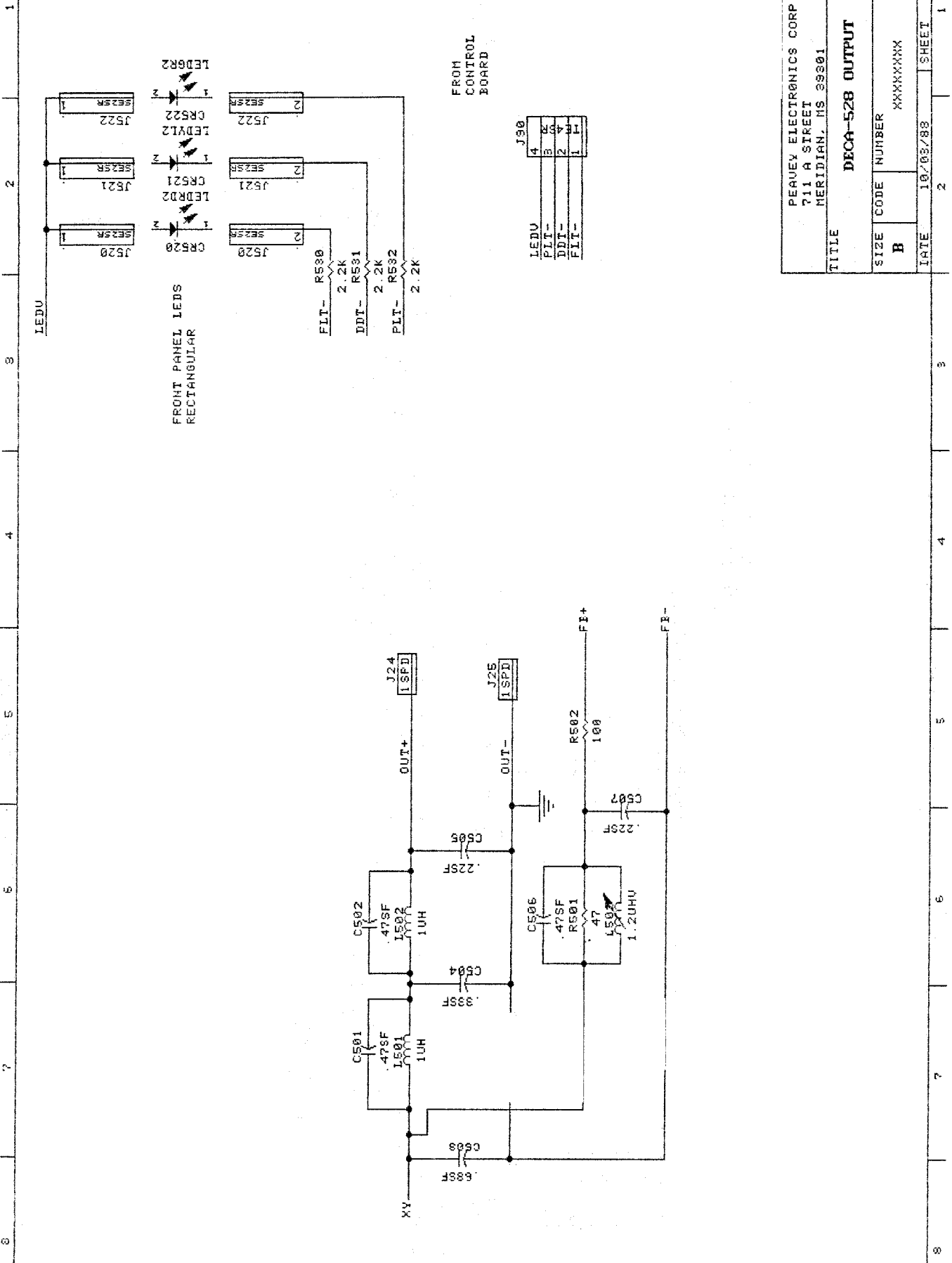


FEAVEY ELECTRONICS CORP. 711 A STREET MERIDIAN, MS 39301	
TITLE	DECA-528 OUTPUT
SIZE	CODE NUMBER
B	XXXXXXXXX
REV	A
DATE	28-SEP-68
SHEET	1 OF 2



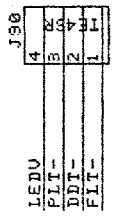
TEMPERATURE MUST BE IN THERMAL CONTACT WITH HEATSINK





PEAVEY ELECTRONICS CORP. 711 A STREET MERIDIAN, MS 39301	
TITLE DECA-528 OUTPUT OUTPUT2	
SIZE B	CODE NUMBER XXXXXXXX
DATE 10/03/83	REV A
SHEET 2 OF 2	

FROM CONTROL BOARD



FRONT PANEL LEDS
RECTANGULAR

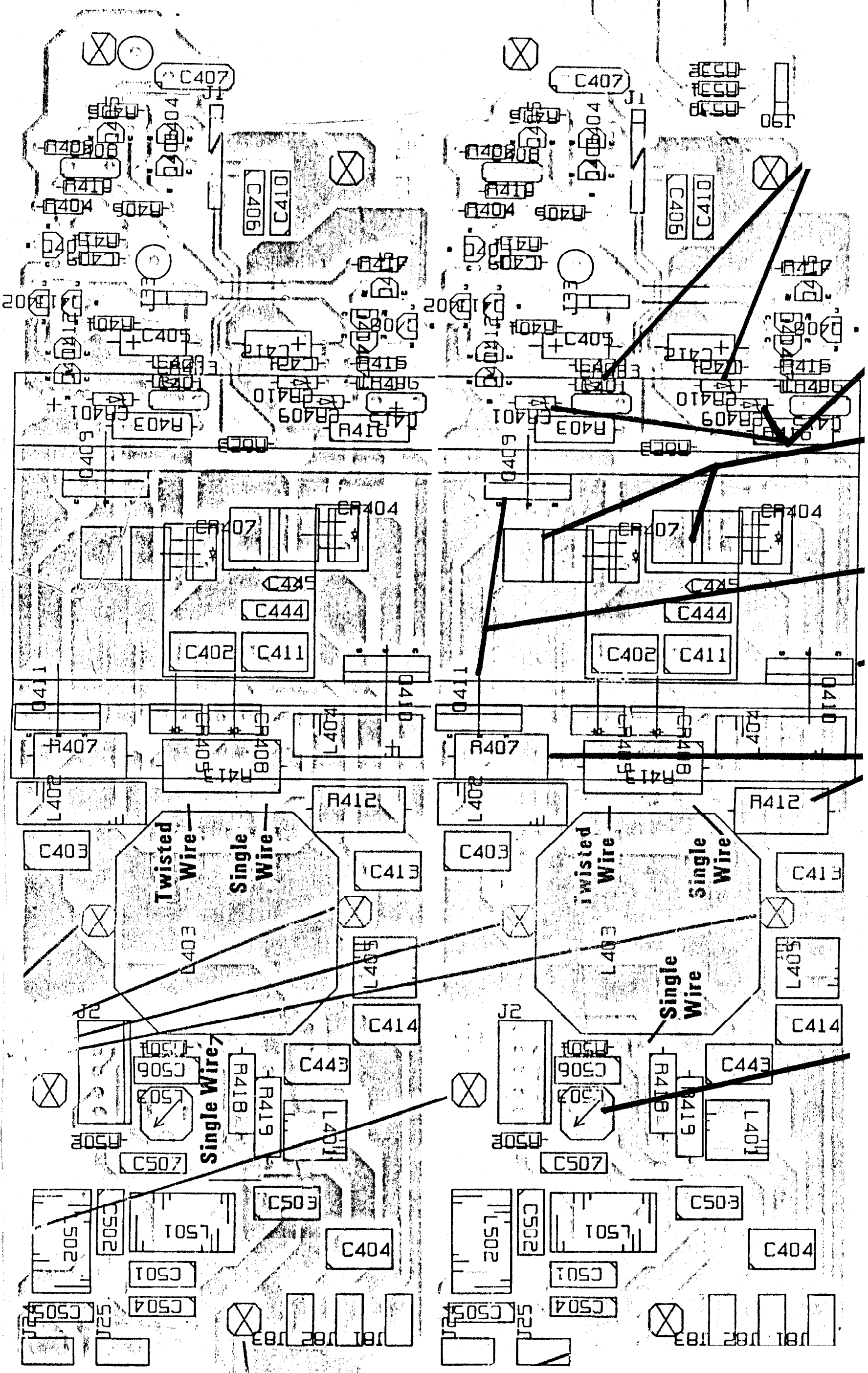
LEDU

Red

Yellow

Green

22583 12583 02583



1 2 3 4 5 6 7 8

D

C

B

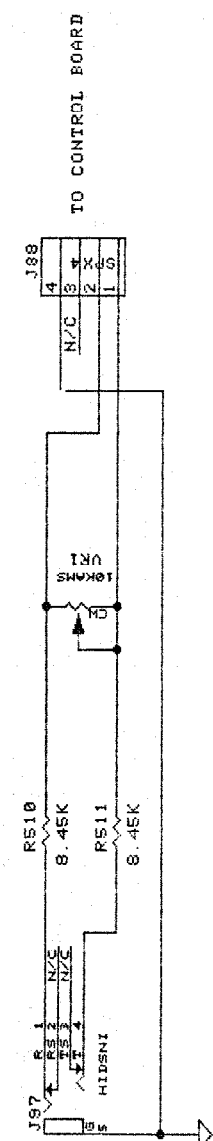
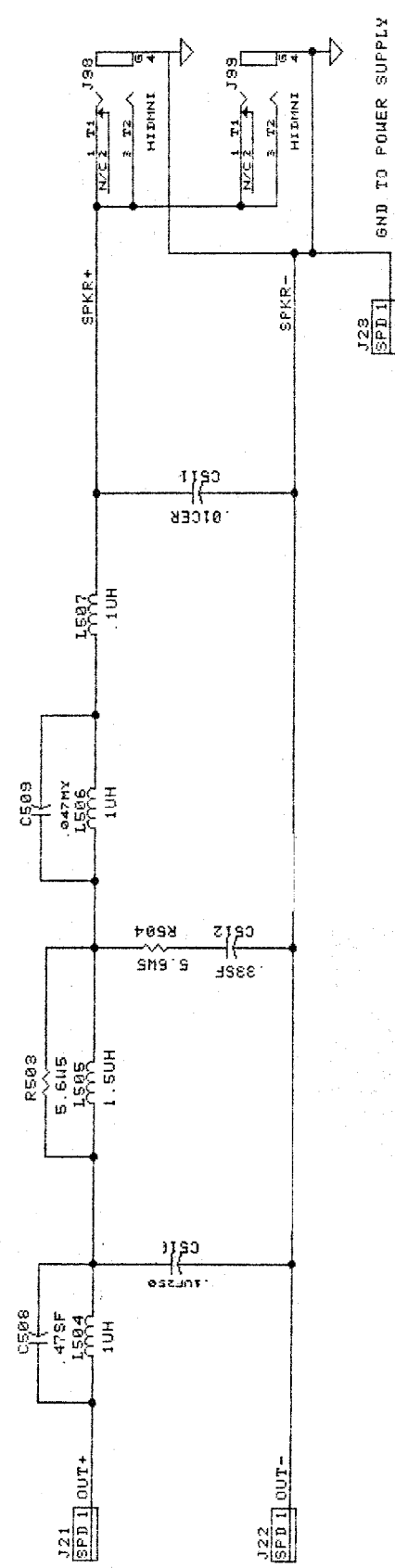
A

D

C

B

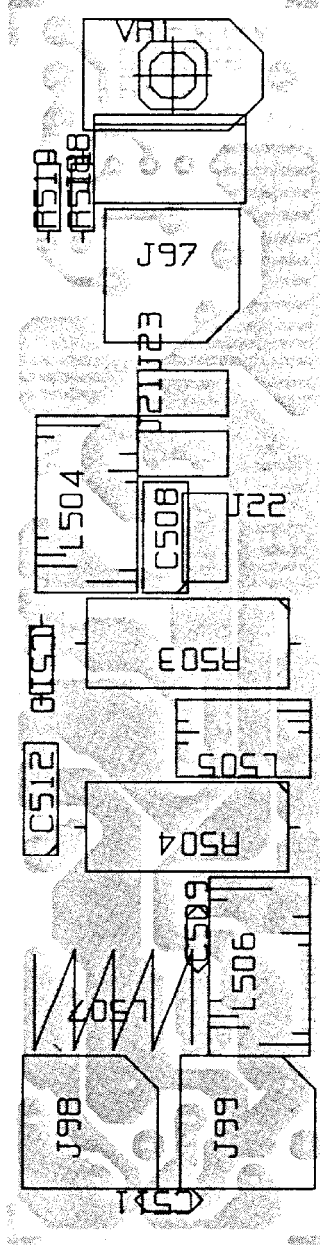
A



PEAVEY ELECTRONICS CORP. 711 A STREET MERIDIAN, MS 39801	
TITLE	DECA-528 BACK
SIZE	B
CODE NUMBER	XXXXXXXXXX
REV	A
DATE	8/31/87
SHEET	1 OF 1

1 2 3 4 5 6 7 8

STAKEPINS DOWN
 .250 SPADE LUGS DOWN



BOARD NAME	Back Ed
USED ON	
FIRST LEVEL PART NUMBER	
ATTWORK NUMBER	
ATTWORK DATE	
SCHEMATIC NUMBER	
ENGR APPROVAL	
ISIGHT	
DATE RELEASED TO PRODUCTION	2-16-84