

MusicParts.Com

Technical Document Distribution

Brand:	Peavey
Model	DEP 1310
Product:	Digital Effects Processor
Description:	Schematic

Musicparts Document Number: 53507 TechTips: No Pages: 8 Dated: 1984

Hello,

Welcome to MusicParts.Com, Inc. your online resource for technical documents and service information. This PDF package may contain information, schematics, parts lists, images, engineering changes, previous versions, circuit descriptions, and many other unique features about the product you have chosen. This document was assembled from a variety of sources and is the result of our many years in the music repair business.

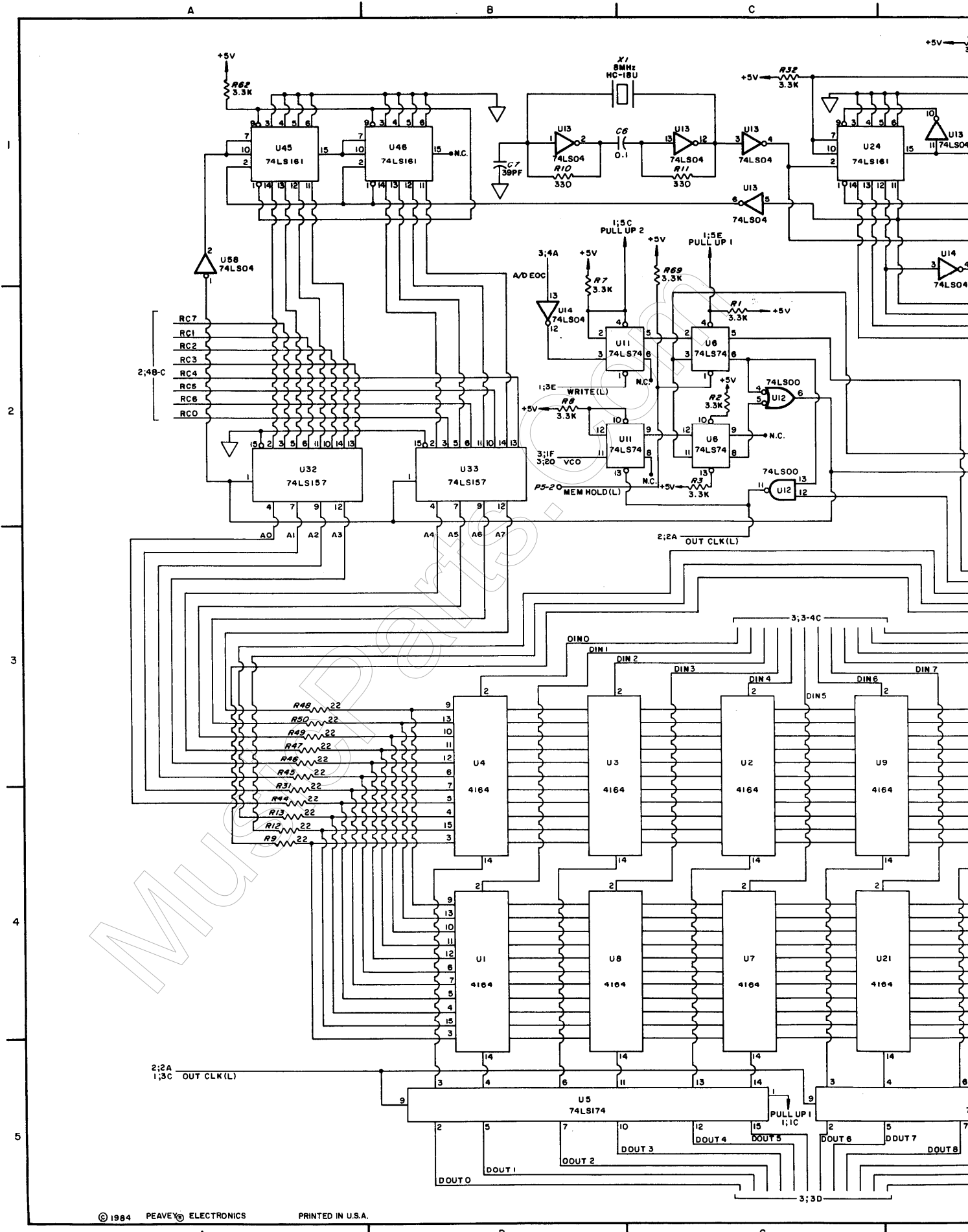
NOTE: Large original over-sized drawings will need to be taped together. We feel this is better than reducing them and losing the fine details.

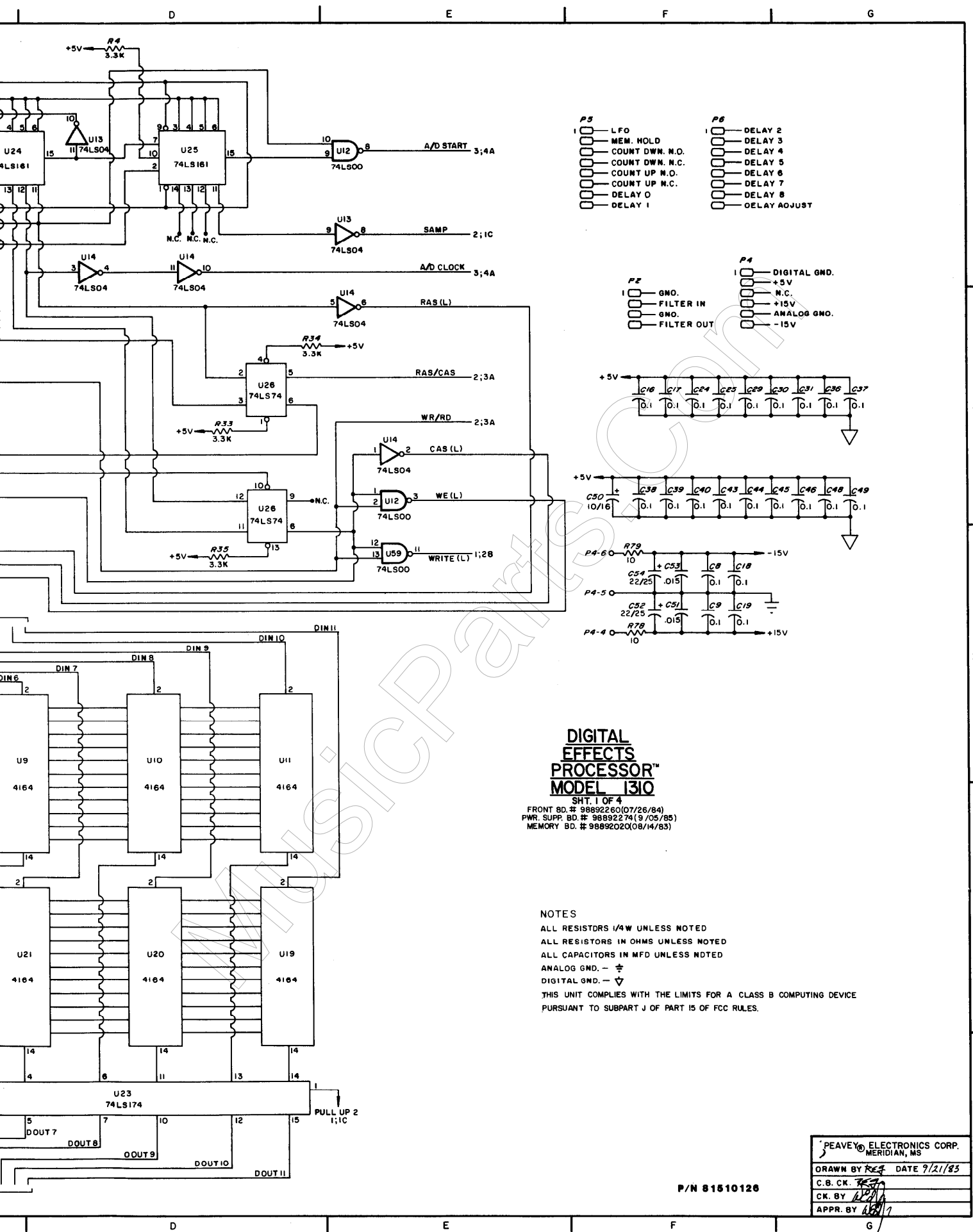
VIEWING: This document is utilizing PAGE-ON-DEMAND downloading. This will let you navigate to any page without waiting for the entire file to download. Just click ON the thumbnails.

PRINTING: Very Important!

When the print dialog appears, please make sure "**REDUCE TO PAPER SIZE**" OR "**SHRINK OVERSIZED PAGES**" is checked, otherwise you may cut off the edge of the page. This will compensate for your printer's margins and produce a great looking printout. Also please stay online while printing this document to make sure you get all the pages.

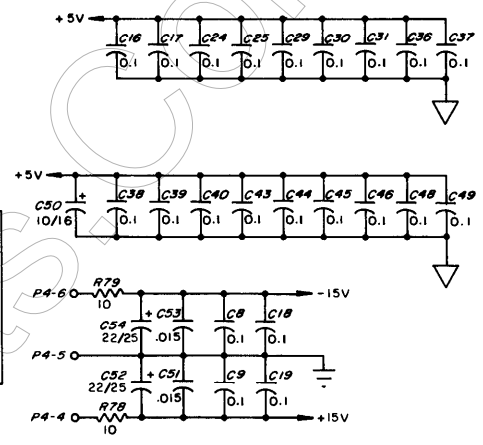
Visit us on the web at: <http://www.musicparts.com/>
Email us at: customerservice@musicparts.com





- | | | | | | |
|--------------------------|--------------------------|-----------------|--------------------------|--------------------------|--------------|
| P5 | <input type="checkbox"/> | LFO | P6 | <input type="checkbox"/> | DELAY 2 |
| <input type="checkbox"/> | <input type="checkbox"/> | MEM. HOLD | <input type="checkbox"/> | <input type="checkbox"/> | DELAY 3 |
| <input type="checkbox"/> | <input type="checkbox"/> | COUNT DWN. M.O. | <input type="checkbox"/> | <input type="checkbox"/> | DELAY 4 |
| <input type="checkbox"/> | <input type="checkbox"/> | COUNT DWN. N.C. | <input type="checkbox"/> | <input type="checkbox"/> | DELAY 5 |
| <input type="checkbox"/> | <input type="checkbox"/> | COUNT UP M.O. | <input type="checkbox"/> | <input type="checkbox"/> | DELAY 6 |
| <input type="checkbox"/> | <input type="checkbox"/> | COUNT UP N.C. | <input type="checkbox"/> | <input type="checkbox"/> | DELAY 7 |
| <input type="checkbox"/> | <input type="checkbox"/> | DELAY 0 | <input type="checkbox"/> | <input type="checkbox"/> | DELAY 8 |
| <input type="checkbox"/> | <input type="checkbox"/> | DELAY 1 | <input type="checkbox"/> | <input type="checkbox"/> | DELAY ADJUST |

- | | | | | | |
|--------------------------|--------------------------|------------|--------------------------|--------------------------|--------------|
| P2 | <input type="checkbox"/> | GND. | P4 | <input type="checkbox"/> | DIGITAL GND. |
| <input type="checkbox"/> | <input type="checkbox"/> | FILTER IN | <input type="checkbox"/> | <input type="checkbox"/> | +5V |
| <input type="checkbox"/> | <input type="checkbox"/> | FILTER OUT | <input type="checkbox"/> | <input type="checkbox"/> | N.C. |
| | | | <input type="checkbox"/> | <input type="checkbox"/> | +15V |
| | | | <input type="checkbox"/> | <input type="checkbox"/> | ANALOG GND. |
| | | | <input type="checkbox"/> | <input type="checkbox"/> | -15V |



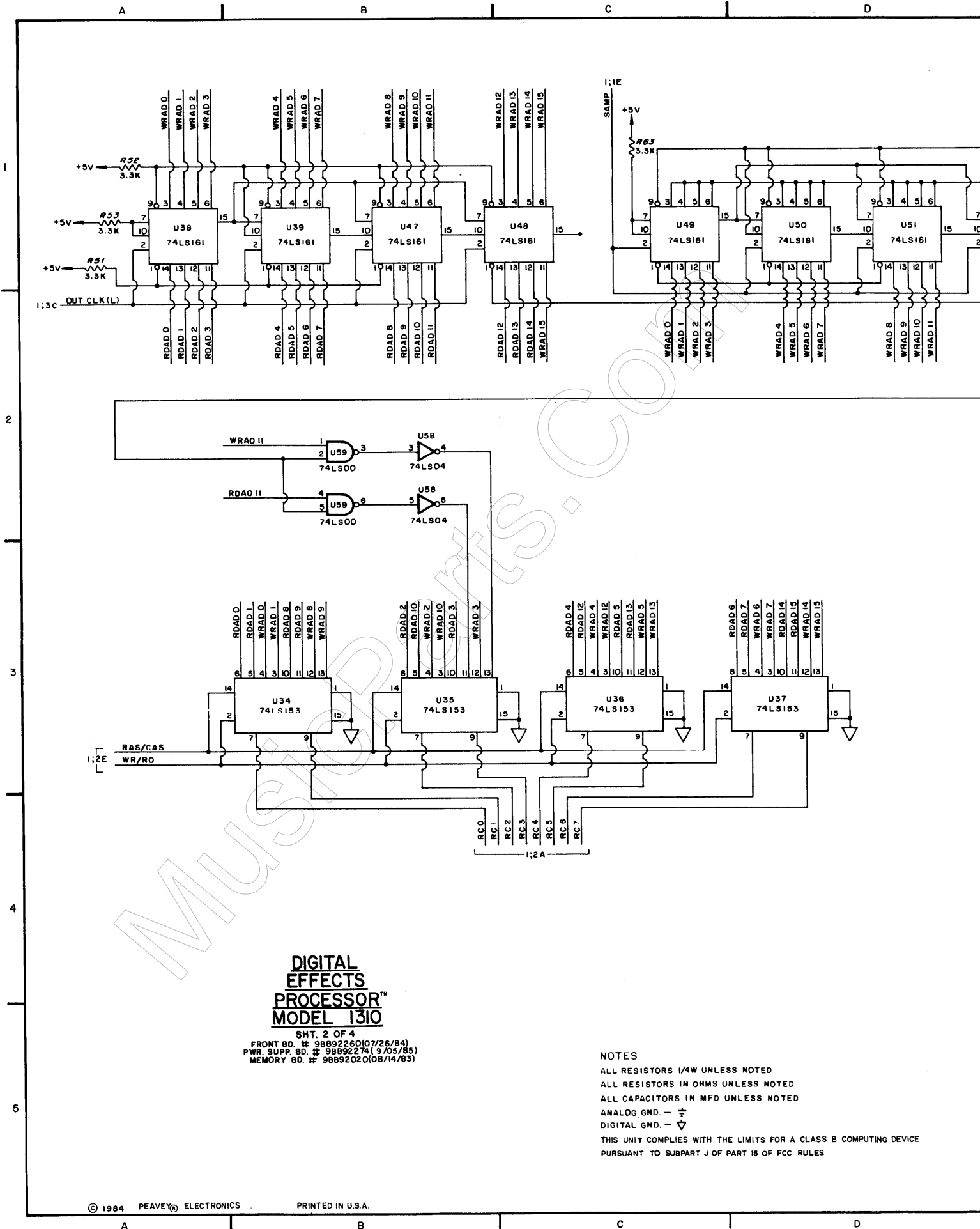
**DIGITAL
EFFECTS
PROCESSOR™
MODEL 1310**

SHT. 1 OF 4
FRONT BD. # 98892260(07/26/84)
PWR. SUPP. BD. # 98892274(9/05/85)
MEMORY BD. # 98892020(08/14/83)

- NOTES**
- ALL RESISTORS 1/4W UNLESS NOTED
 - ALL RESISTORS IN OHMS UNLESS NOTED
 - ALL CAPACITORS IN MFD UNLESS NOTED
 - ANALOG GND. - \perp
 - DIGITAL GND. - ∇
 - THIS UNIT COMPLIES WITH THE LIMITS FOR A CLASS B COMPUTING DEVICE PURSUANT TO SUBPART J OF PART 15 OF FCC RULES.

PEAVEY ELECTRONICS CORP. MERIDIAN, MS	
DRAWN BY <i>REC</i>	DATE 9/21/83
C.B. CK. <i>REC</i>	
CK. BY <i>REC</i>	
APPR. BY <i>REC</i>	

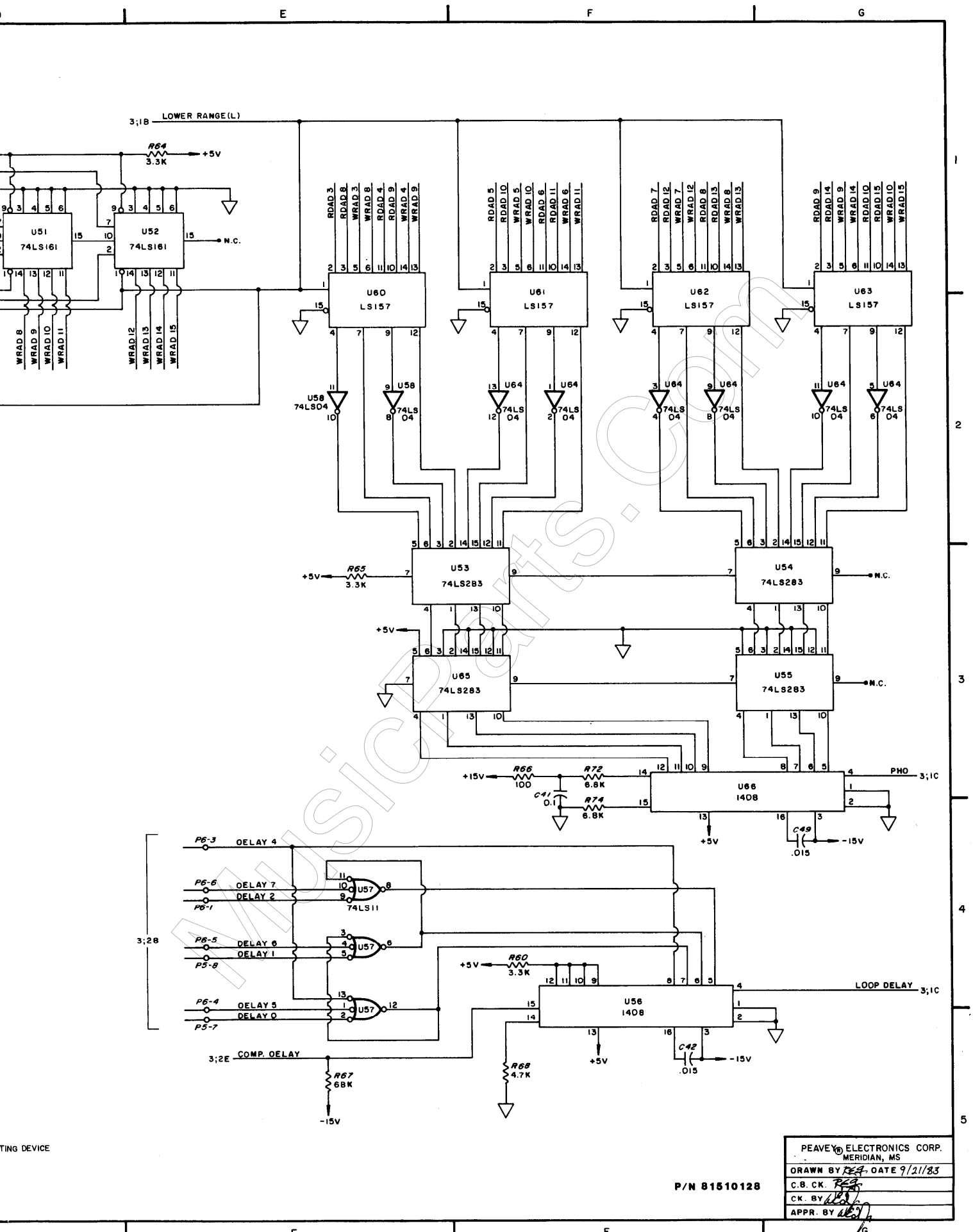
P/N 81510126



**DIGITAL
EFFECTS
PROCESSOR™
MODEL 1310**

SHT. 2 OF 4
 FRONT BD. # 98892260(07/26/84)
 PWR. SUPP. BD. # 98892274(9/05/85)
 MEMORY BD. # 98892020(08/14/83)

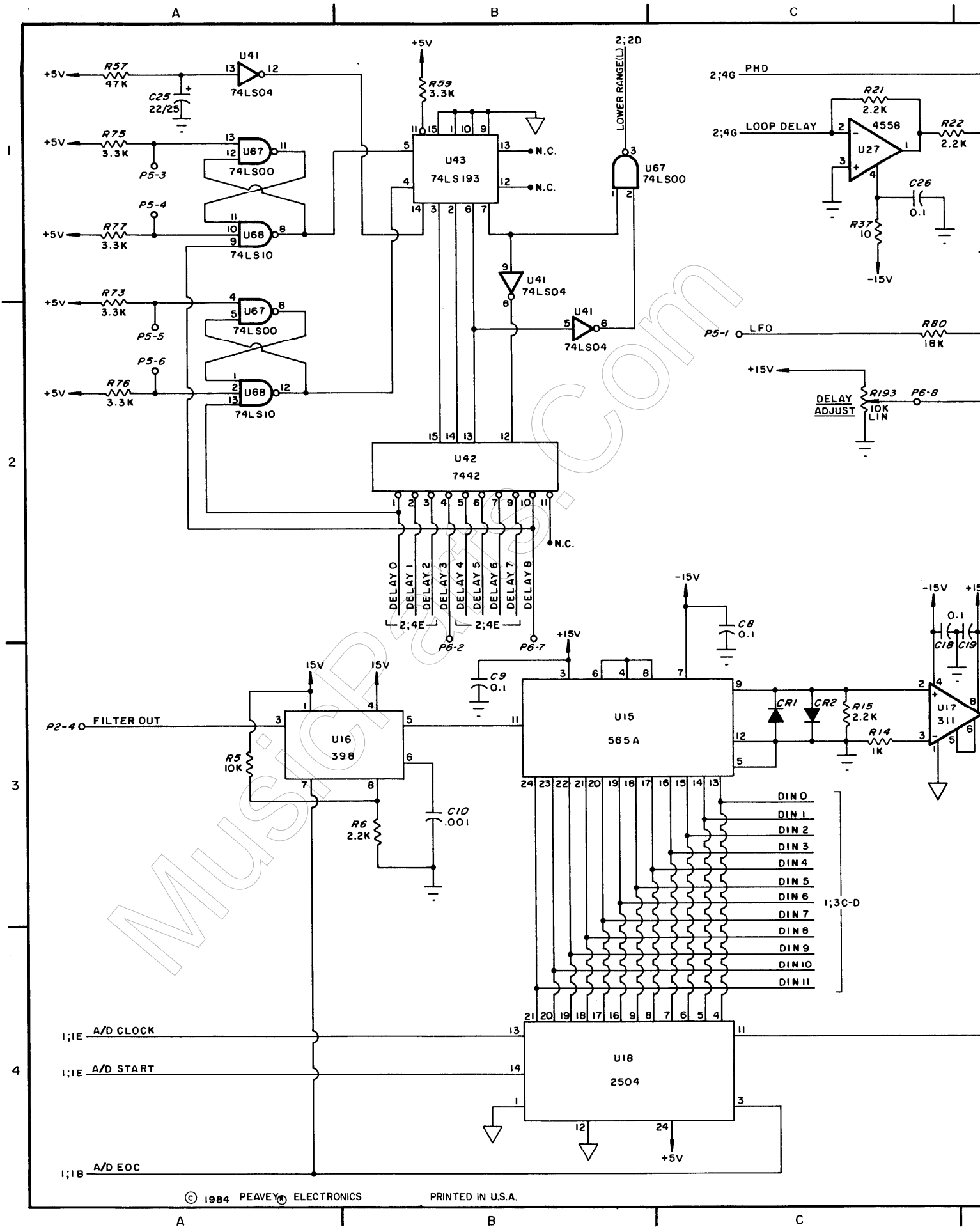
NOTES
 ALL RESISTORS 1/4W UNLESS NOTED
 ALL RESISTORS IN OHMS UNLESS NOTED
 ALL CAPACITORS IN MFD UNLESS NOTED
 ANALOG GND. - $\frac{1}{2}$
 DIGITAL GND. - ∇
 THIS UNIT COMPLIES WITH THE LIMITS FOR A CLASS B COMPUTING DEVICE
 PURSUANT TO SUBPART J OF PART 15 OF FCC RULES

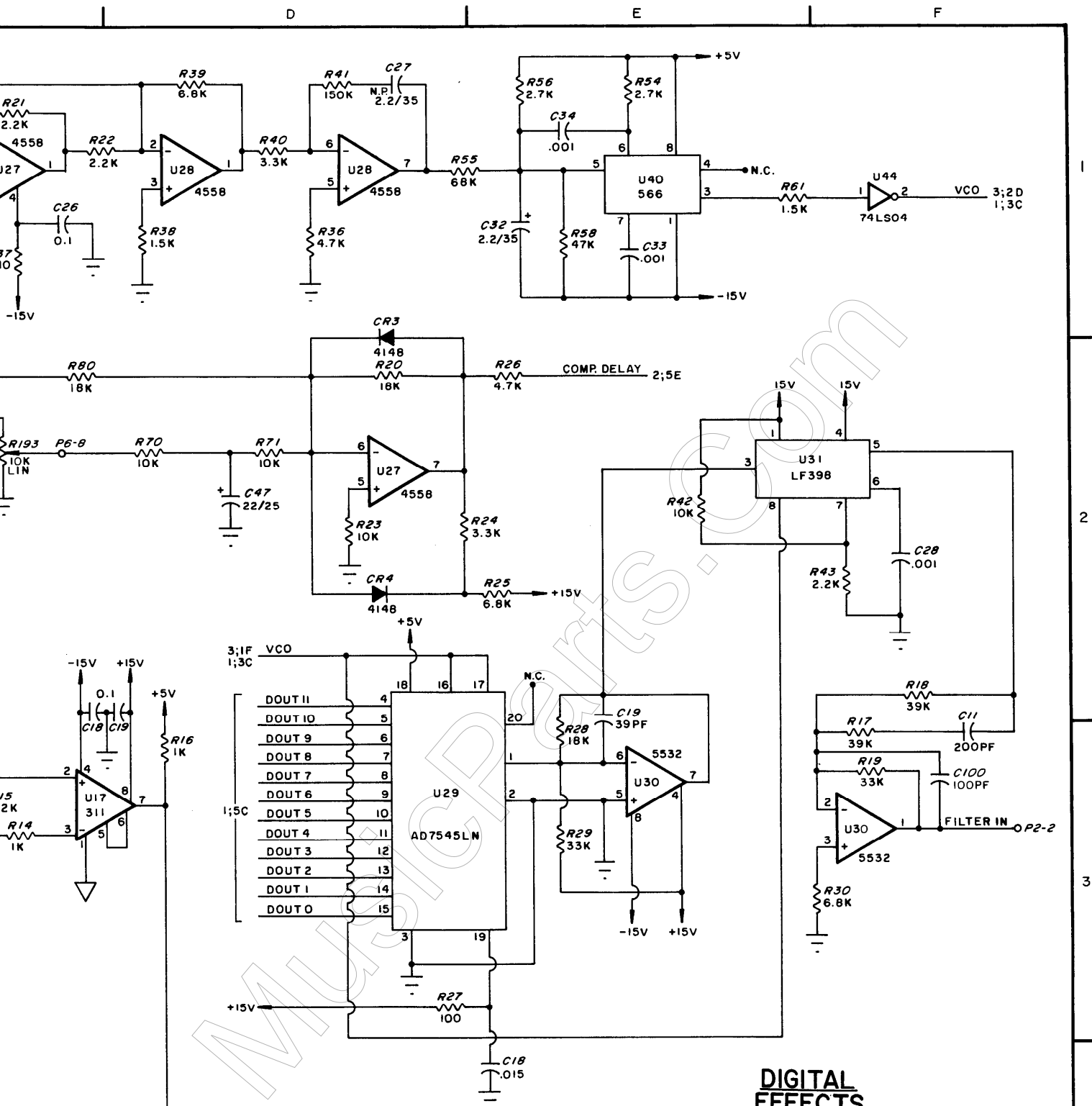


TING DEVICE

PEAVEY ELECTRONICS CORP.
 MERIDIAN, MS
 DRAWN BY *REG* DATE 9/21/83
 C.B. CK. *REG*
 CK. BY *REG*
 APPR. BY *REG*

P/N 81510128





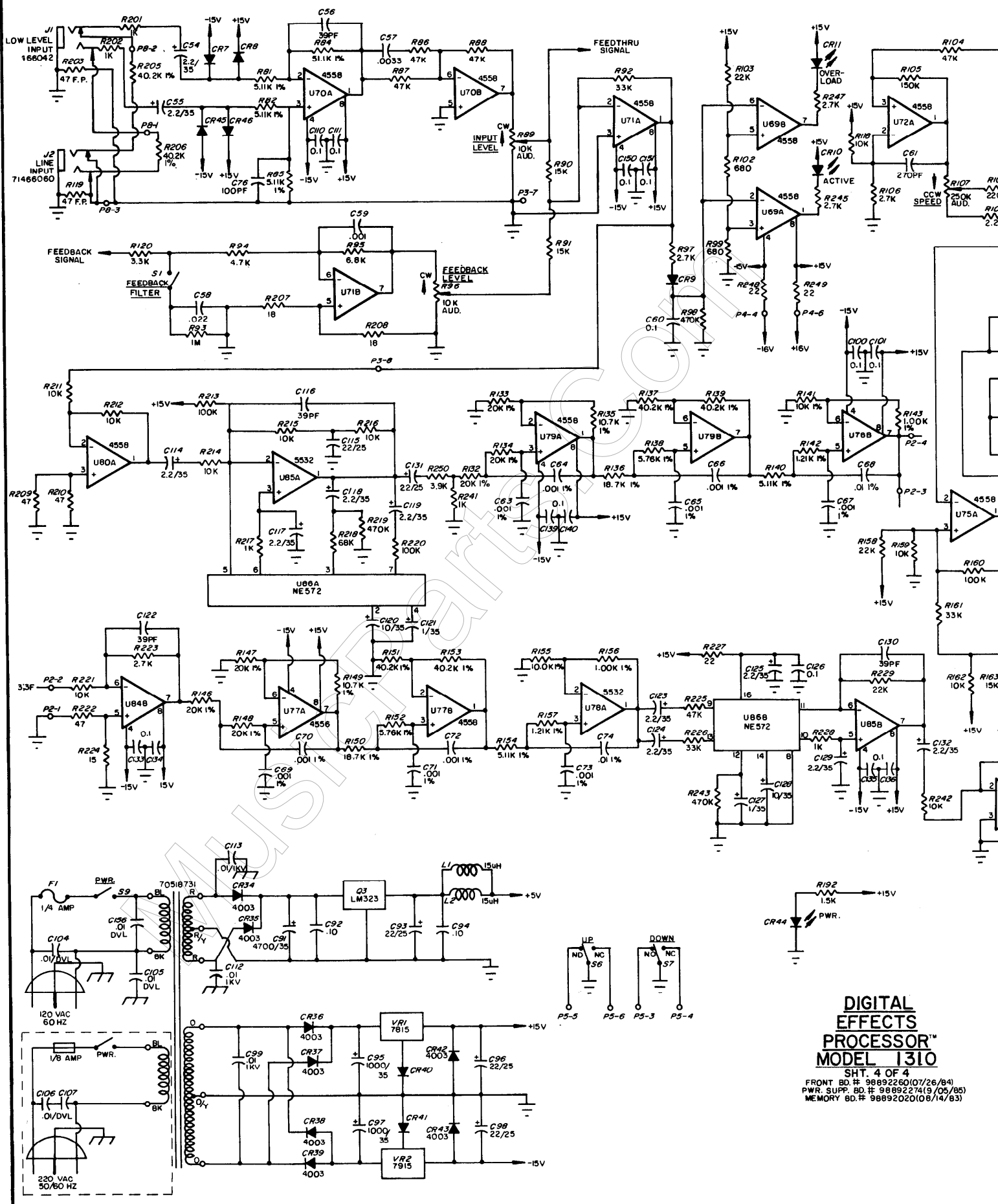
NOTES
 ALL RESISTORS 1/4W UNLESS NOTED
 ALL RESISTORS IN OHMS UNLESS NOTED
 ALL CAPACITORS IN MFD UNLESS NOTED
 ALL DIODES IN 4148 UNLESS NOTED
 ANALOG GND. - \perp
 DIGITAL GND. - ∇
 THIS UNIT COMPLIES WITH THE LIMITS FOR A CLASS B
 COMPUTING DEVICE PURSUANT TO SUBPART J OF
 PART 15 OF FCC RULES

SHT. 3 OF 4
 FRONT BD. # 98892260(07/26/84)
 PWR. SUPP. BD. # 98892274(9/05/85)
 MEMORY BD. # 98892020(08/14/83)

**DIGITAL
 EFFECTS
 PROCESSOR™
 MODEL 1310**

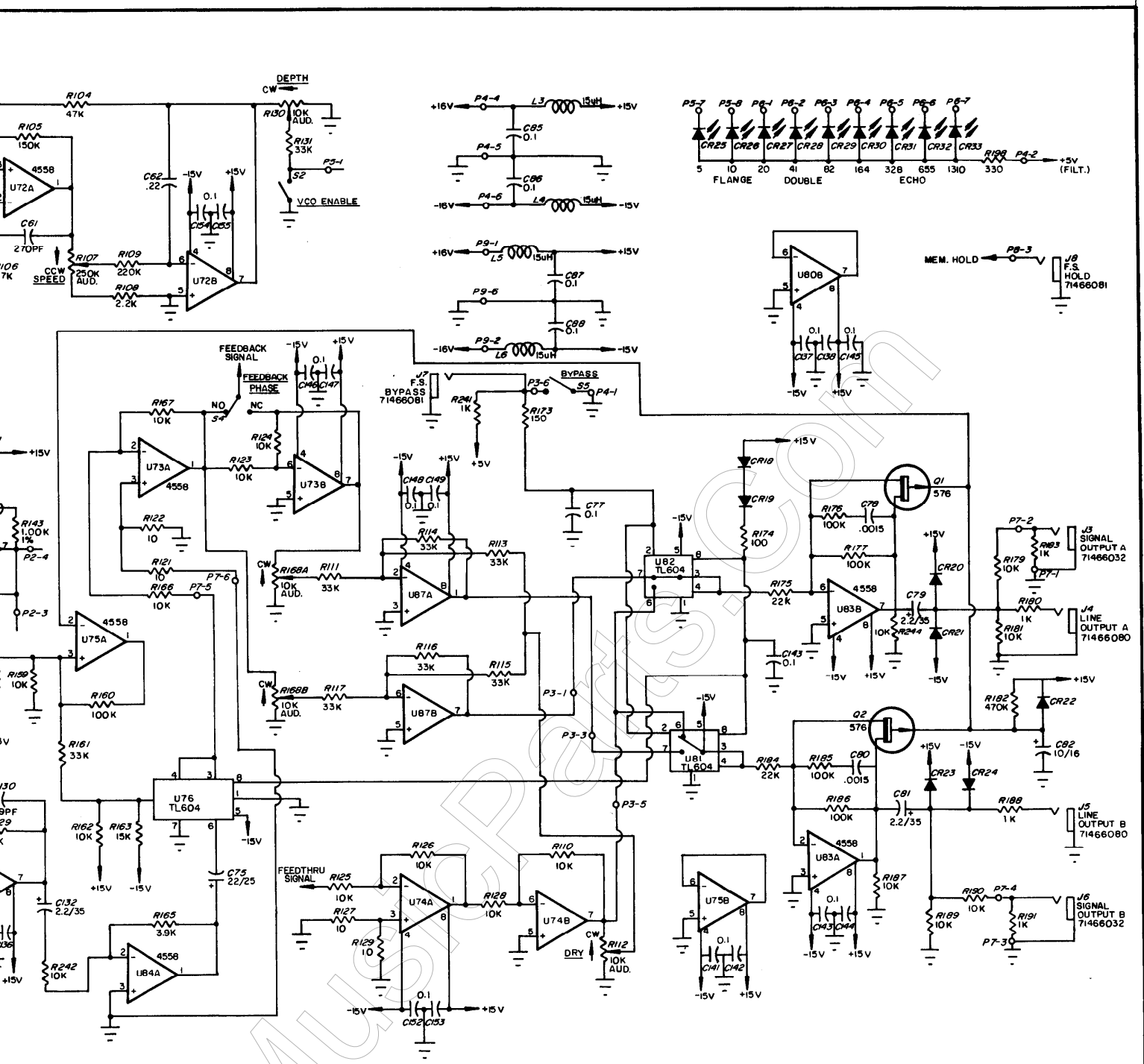
PEAVEY® ELECTRONICS CORP. MERIDIAN, MS	
DRAWN BY <i>RSB</i>	DATE 9/21/83
C.B. CK. <i>RSB</i>	
CK. BY <i>WJH</i>	
APPR. BY <i>WJH</i>	

P/N 81510131



**DIGITAL
EFFECTS
PROCESSOR™
MODEL 1310**

SHT. 4 OF 4
FRONT BD. # 9889220107/26/84
PWR. SUPP. BD. # 98892274/9/05/85
MEMORY BD. # 98892020/10/6/83



NOTES

- ALL RESISTORS 1/4W UNLESS NOTED
- ALL RESISTORS IN OHMS UNLESS NOTED
- ALL POTS ARE LINEAR UNLESS NOTED
- ALL CAPACITORS IN MFD UNLESS NOTED
- ALL DIODES IN4148 UNLESS NOTED
- LAST REF. DESIGNATOR USED:
R250 C156 CR46 99 J8 Q3 VR2 L6
- THIS UNIT COMPLIES WITH THE LIMITS FOR A CLASS B COMPUTING DEVICE
PURSUANT TO SUBPART J OF PART 15 OF FCC RULES.

FAL
CTS
SSOR™
1310
OF 4
32260107/26/84)
8892274(9/05/85)
392020(08/14/83)

PEAVEY® ELECTRONICS CORP. MERIDIAN, MS	
DRAWN BY <i>clb</i>	DATE <i>3/5/85</i>
C. B. CK. <i>clb</i>	
CK. BY <i>J.E.H.</i>	
APPR. BY <i>W.R.P.</i>	

P/N 81510133