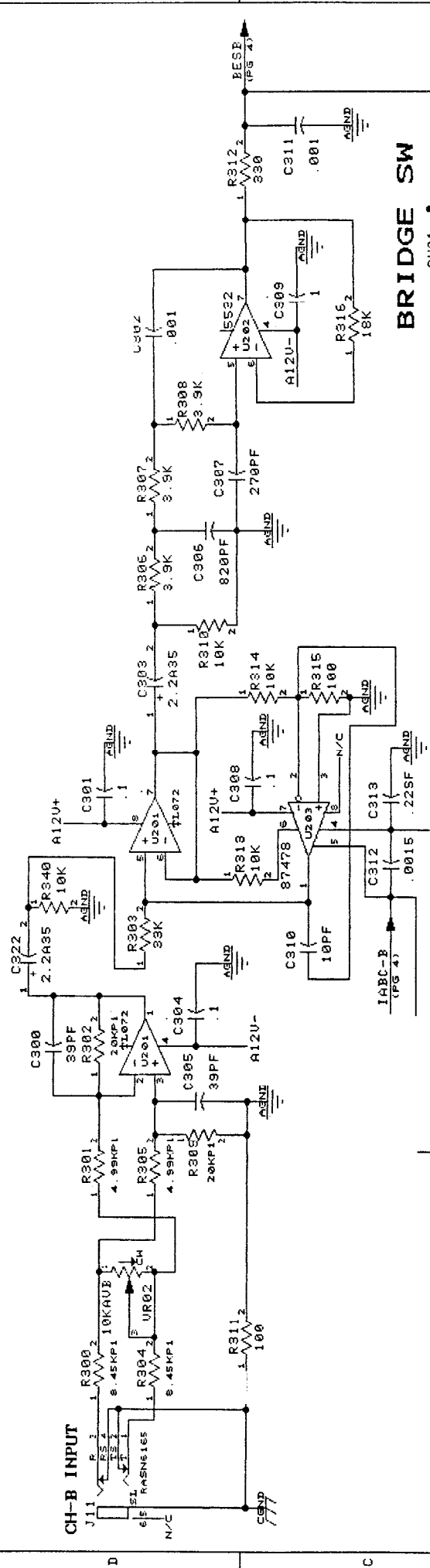


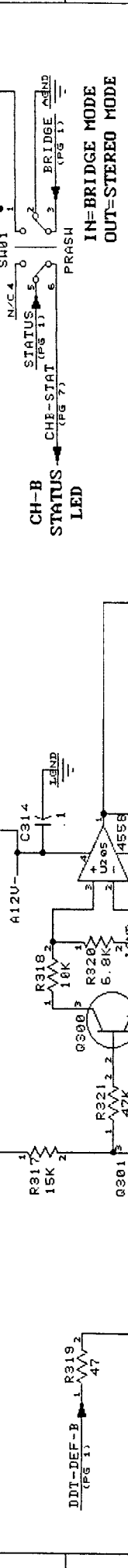
PEAVEY ELECTRONICS CORP. 711 A STREET MERIDIAN, MS 39301	
TITLE	INPUT2
SIZE	B
CODE NUMBER	XXXXXXXXXX
REV	REV
DATE	13-FEB-81
SHEET	2 of 7

NOTE HIGHEST REF CR201 R228 C209 Q205 U102

CH-B INPUT

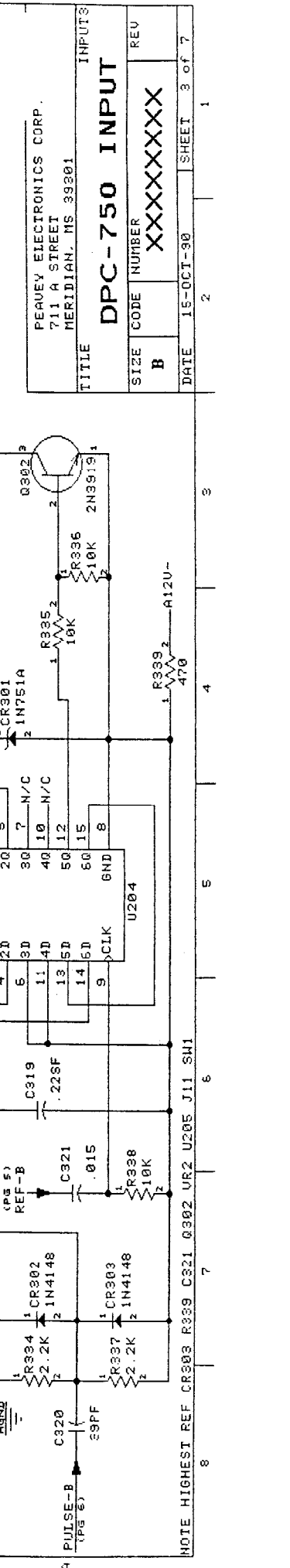
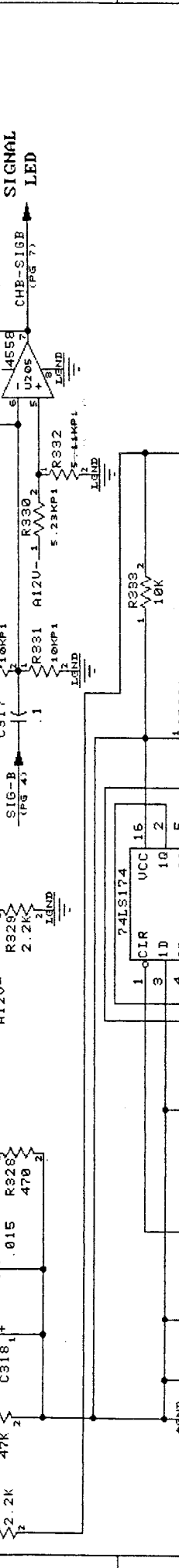


BRIDGE SW



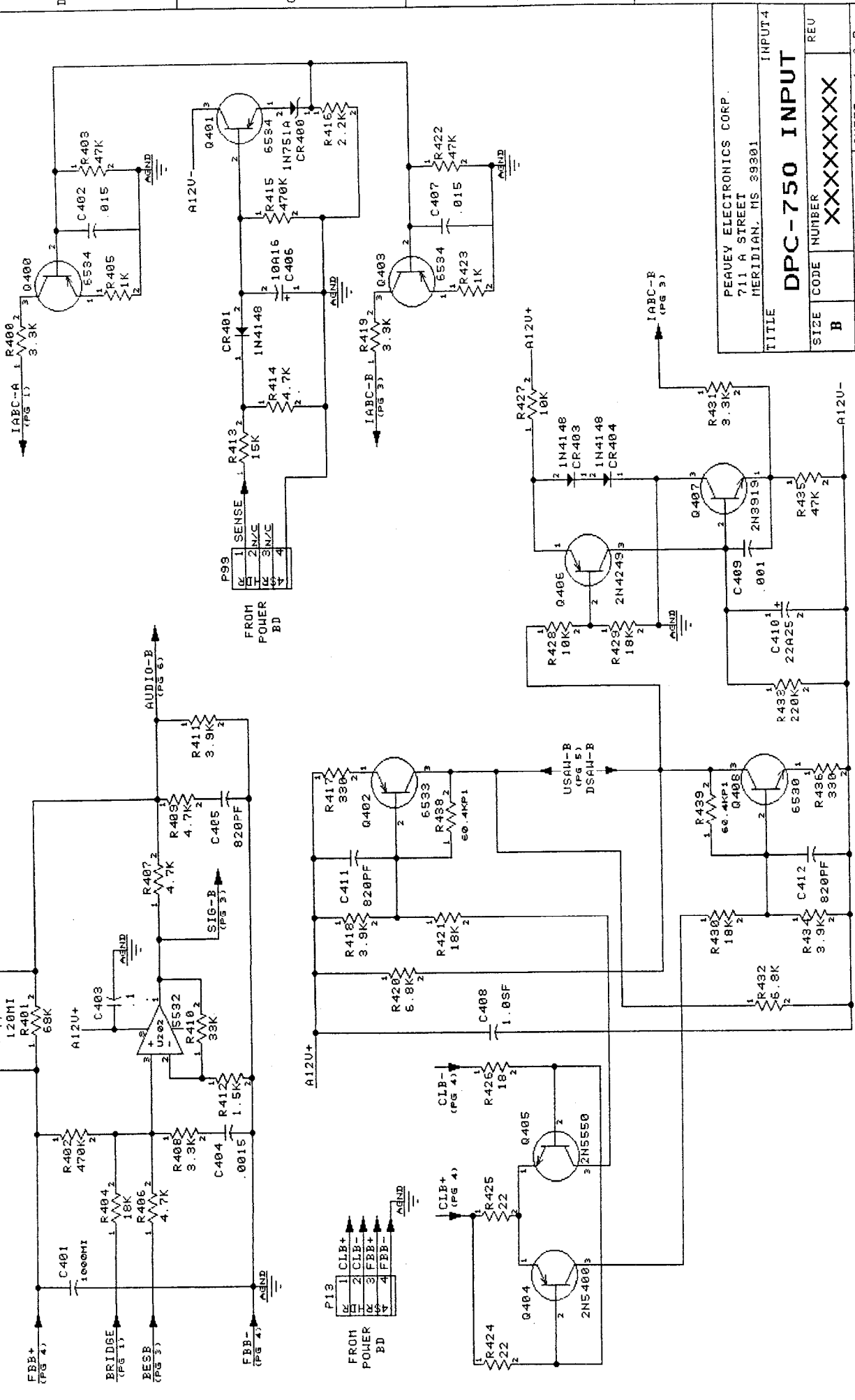
IN-BRIDGE MODE
OUT-STEREO MODE

CH-B SIGNAL LED



NOTE HIGHEST REF CR303 R339 C321 Q302 UR2 U205 J11 SM1

PEAVEY ELECTRONICS CORP. 711 A STREET MERIDIAN, MS 39301	
TITLE	DPC-750 INPUT
SIZE	B
CODE	XXXXXXXX
REV	
DATE	15-OCT-90
SHEET	3 of 7



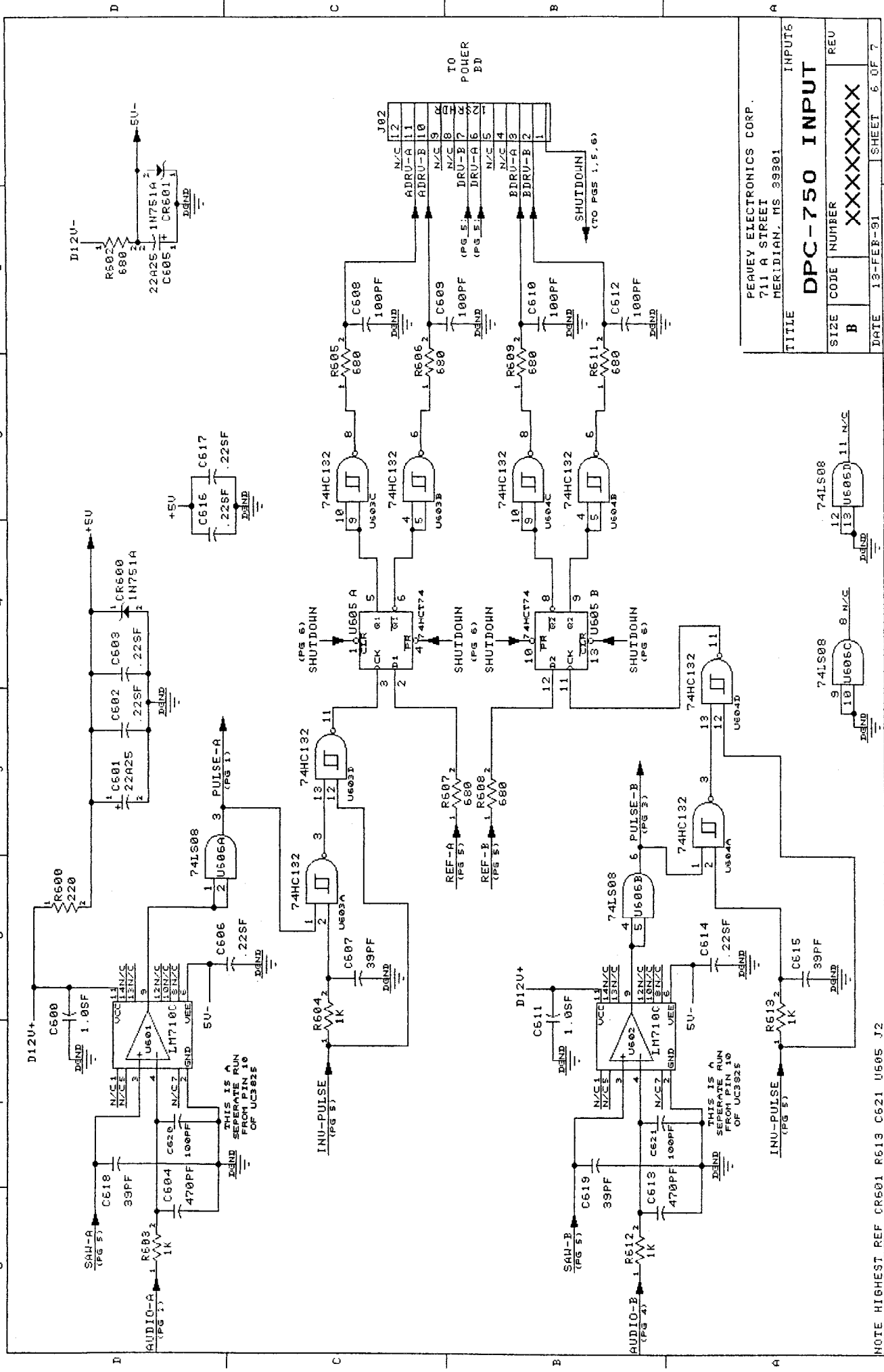
PEAVEY ELECTRONICS CORP.
711 A STREET
MERIDIAN, MS 39301

TITLE DPC-750 INPUT

SIZE	CODE	NUMBER	REV
B		XXXXXX	XXX

DATE 13-FEB-91 **SHEET** 4 of 7

NOTE HIGHEST REF CR404 R437 C412 Q408 U202



PEAVEY ELECTRONICS CORP.
 711 A STREET
 MERIDIAN, MS 39301

TITLE DPC-750 INPUT

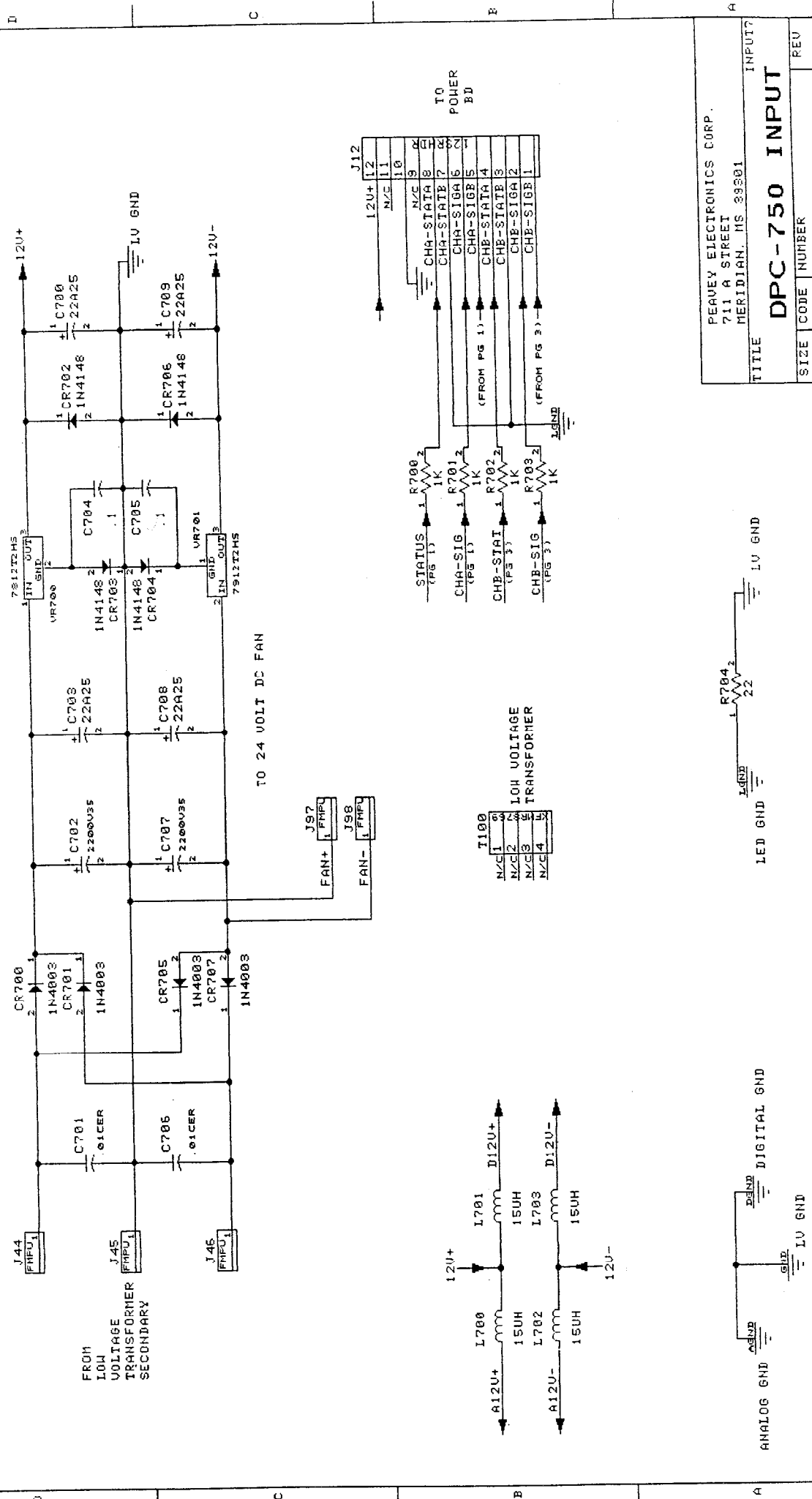
SIZE CODE NUMBER B XXXXXXXX

REU

DATE 13-FEB-91

SHEET 6 OF 7

NOTE HIGHEST REF C601 R613 C621 U605 J2



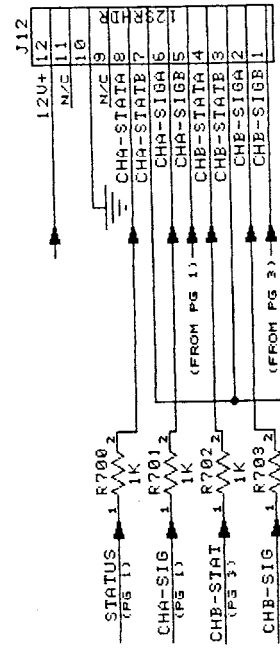
T100

N/C	1
N/C	2
N/C	3
N/C	4

100 VOLTAGE
TRANSFORMER

TO 24 VOLT DC FAN

TO
POWER
BD

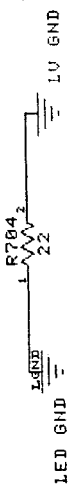


PEARVEY ELECTRONICS CORP.
711 A STREET
MERIDIAN, MS 39301

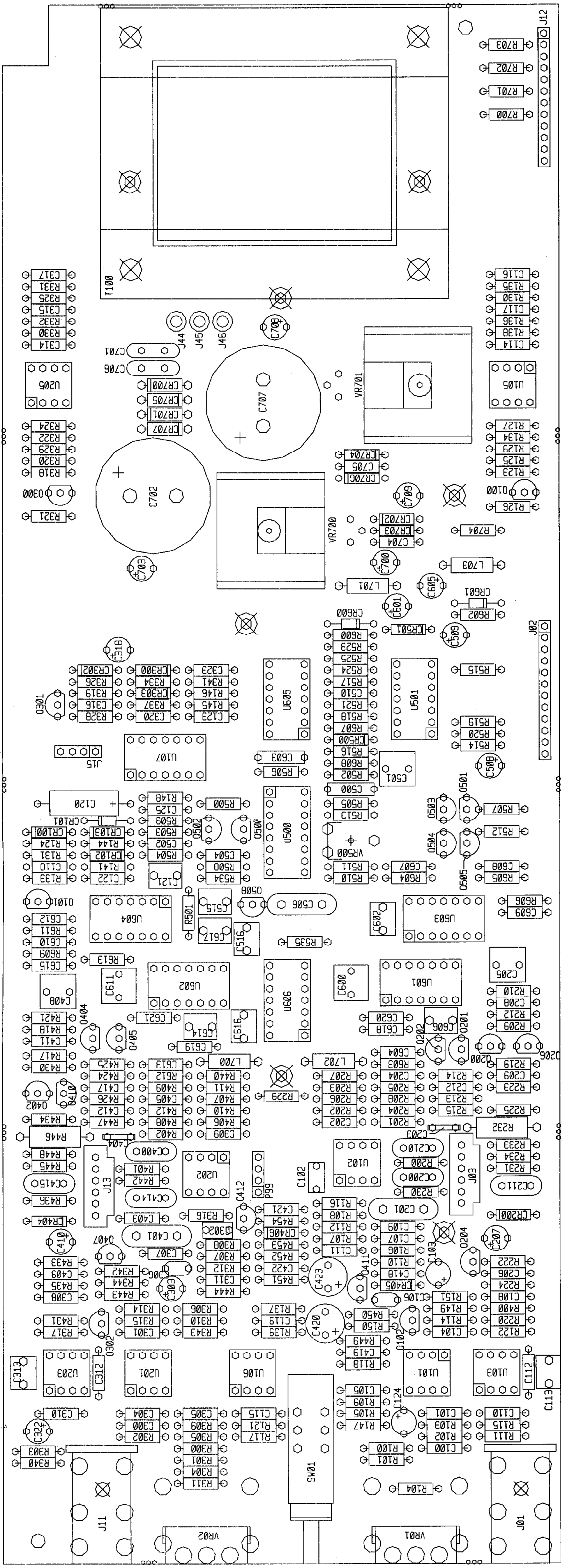
TITLE DPC-750 INPUT

SIZE	CODE	NUMBER	REV
B		XXXXXXXXXX	

DATE 15-OCT-90 SHEET 7 OF 7



NOTE HIGHEST REF CR707 R704 C709 L703 UR701 J98 T100



DPC 750 Input

QTY	NAME	VALUE	NUMBER	DESCRIPTION AND PART	QTY	NAME	VALUE	NUMBER	DESCRIPTION AND PART	QTY	NAME	VALUE	NUMBER	DESCRIPTION AND PART	QTY	NAME	VALUE	NUMBER	DESCRIPTION AND PART	QTY	NAME	VALUE	NUMBER	DESCRIPTION AND PART	QTY	NAME	VALUE	NUMBER	DESCRIPTION AND PART	QTY	NAME	VALUE	NUMBER	DESCRIPTION AND PART	QTY	NAME	VALUE	NUMBER	DESCRIPTION AND PART										
1	39PF	39PF	70340052	39PF-----5VDC-T/C-T&R	1	22SF2	22SF2	70330114	0.22 MF 5% 100V STCK FILM t&a	1	22R50	22R50	70320181	22MF-20%-50VDC-EL-T&A	1	2N3919	3919	70463919	SKA-3919 TC92 NPN TRANS T&A	1	2N3919	3919	70463919	SKA-3919 TC92 NPN TRANS T&A	1	2N3919	3919	70463919	SKA-3919 TC92 NPN TRANS T&A	1	2N3919	3919	70463919	SKA-3919 TC92 NPN TRANS T&A	1	2N3919	3919	70463919	SKA-3919 TC92 NPN TRANS T&A	1	2N3919	3919	70463919	SKA-3919 TC92 NPN TRANS T&A					
1	.1	.1	70340100	.1MF-80-20%-50VDC-AXL-T&R	1	.01CER	.01CER	70320099	.01 MFD 1000VDC CD -UNCUT	1	.01CER	.01CER	70320099	.01 MFD 1000VDC CD -UNCUT	1	8.45KP1	8.45KP1	70241010	8.45K-1/4W-1%-MF-T&R	1	8.45KP1	8.45KP1	70241010	8.45K-1/4W-1%-MF-T&R	1	8.45KP1	8.45KP1	70241010	8.45K-1/4W-1%-MF-T&R	1	8.45KP1	8.45KP1	70241010	8.45K-1/4W-1%-MF-T&R	1	8.45KP1	8.45KP1	70241010	8.45K-1/4W-1%-MF-T&R	1	8.45KP1	8.45KP1	70241010	8.45K-1/4W-1%-MF-T&R					
1	.0047M	.0047M	70330116	.0047 MFD 50VDC 5% MY T&A	1	100PF	100PF	70340054	100PF-10%-50VDC-T/C-T&R	1	2200V35	2200V35	70320113	2200 MFD 35VDC RADIAL LYTC	1	4.99KP1	4.99KP1	70241060	4.99K-1/4W-1%-MF-T&R	1	4.99KP1	4.99KP1	70241060	4.99K-1/4W-1%-MF-T&R	1	4.99KP1	4.99KP1	70241060	4.99K-1/4W-1%-MF-T&R	1	4.99KP1	4.99KP1	70241060	4.99K-1/4W-1%-MF-T&R	1	4.99KP1	4.99KP1	70241060	4.99K-1/4W-1%-MF-T&R	1	4.99KP1	4.99KP1	70241060	4.99K-1/4W-1%-MF-T&R					
1	2.2R50	2.2R50	70320180	2.2MF-20%-50VDC-AXL-T&R	1	180PF	180PF	70340056	180PF-10%-50VDC-T/C-T&R	1	2200V35	2200V35	70320113	2200 MFD 35VDC RADIAL LYTC	1	4.99KP1	4.99KP1	70241060	4.99K-1/4W-1%-MF-T&R	1	4.99KP1	4.99KP1	70241060	4.99K-1/4W-1%-MF-T&R	1	4.99KP1	4.99KP1	70241060	4.99K-1/4W-1%-MF-T&R	1	4.99KP1	4.99KP1	70241060	4.99K-1/4W-1%-MF-T&R	1	4.99KP1	4.99KP1	70241060	4.99K-1/4W-1%-MF-T&R	1	4.99KP1	4.99KP1	70241060	4.99K-1/4W-1%-MF-T&R					
1	.1	.1	70340100	.1MF-80-20%-50VDC-AXL-T&R	1	2.2R50	2.2R50	70320180	2.2MF-20%-50VDC-EL-T&A	1	2.2R50	2.2R50	70320180	2.2MF-20%-50VDC-EL-T&A	1	2.7K	2.7K	70240021	2.7K-1/4W-5%-CF-T&R	1	2.7K	2.7K	70240021	2.7K-1/4W-5%-CF-T&R	1	2.7K	2.7K	70240021	2.7K-1/4W-5%-CF-T&R	1	2.7K	2.7K	70240021	2.7K-1/4W-5%-CF-T&R	1	2.7K	2.7K	70240021	2.7K-1/4W-5%-CF-T&R	1	2.7K	2.7K	70240021	2.7K-1/4W-5%-CF-T&R					
1	39PF	39PF	70340052	39PF-----5VDC-T/C-T&R	1	.001	.001	70340000	.001MF-10%-50VDC-MON-T&R	1	.001	.001	70340000	.001MF-10%-50VDC-MON-T&R	1	IN4148	4148	70464148	IN4148 75V 10MA SILICON DIODE	2	5.62KP1	5.62KP1	70241008	5.62K-1/4W-1%-MF-T&R	1	30.1KP1	30.1KP1	70241031	30.1K-1/4W-1%-MF-T&R	1	30.1KP1	30.1KP1	70241031	30.1K-1/4W-1%-MF-T&R	1	30.1KP1	30.1KP1	70241031	30.1K-1/4W-1%-MF-T&R	1	30.1KP1	30.1KP1	70241031	30.1K-1/4W-1%-MF-T&R					
1	.01MY	.01MY	70320077	.01 UF MYLAR 5% 100V	1	150MI	150MI	70330119	150PF 5% 500VDC MI R/W	1	150MI	150MI	70330119	150PF 5% 500VDC MI R/W	1	IN751A	1N751A	70400751	IN751A 5.1V .4W, 5% ZENER DIODE	1	30.1KP1	30.1KP1	70241031	30.1K-1/4W-1%-MF-T&R	1	30.1KP1	30.1KP1	70241031	30.1K-1/4W-1%-MF-T&R	1	30.1KP1	30.1KP1	70241031	30.1K-1/4W-1%-MF-T&R	1	30.1KP1	30.1KP1	70241031	30.1K-1/4W-1%-MF-T&R	1	30.1KP1	30.1KP1	70241031	30.1K-1/4W-1%-MF-T&R					
2	270PF	270PF	70340057	270PF-10%-50VDC-T/C-T&R	1	100MI	100MI	70330102	100PF 5% MICA CAP	10	1N4148	4148	70464148	IN4148 75V 10MA SILICON DIODE	1	10K	10K	70240025	10K-1/4W-5%-CF-T&R	1	10K	10K	70240025	10K-1/4W-5%-CF-T&R	1	100	100	70240010	100-1/4W-5%-CF-T&R	1	100	100	70240010	100-1/4W-5%-CF-T&R	1	100	100	70240010	100-1/4W-5%-CF-T&R	1	100	100	70240010	100-1/4W-5%-CF-T&R					
1	.1	.1	70340100	.1MF-80-20%-50VDC-AXL-T&R	1	.0068	.0068	70340008	.0068MF-10%-50VDC-MON-T&R	1	.0068	.0068	70340008	.0068MF-10%-50VDC-MON-T&R	1	1N4148	4148	70464148	IN4148 75V 10MA SILICON DIODE	2	3.3K	3.3K	70240022	3.3K-1/4W-5%-CF-T&R	1	330	330	70240014	330-1/4W-5%-CF-T&R	1	330	330	70240014	330-1/4W-5%-CF-T&R	1	330	330	70240014	330-1/4W-5%-CF-T&R	1	330	330	70240014	330-1/4W-5%-CF-T&R					
1	10PF	10PF	70340050	10PF-5%-50VDC-T/C-T&R	1	.82M	.82M	70330122	0.22 MF 5% 100V STCK FILM t&a	1	.82M	.82M	70330122	0.22 MF 5% 100V STCK FILM t&a	1	1N4148	4148	70464148	IN4148 75V 10MA SILICON DIODE	1	18K	18K	70240028	18K-1/4W-5%-CF-T&R	1	100	100	70240010	100-1/4W-5%-CF-T&R	1	100	100	70240010	100-1/4W-5%-CF-T&R	1	100	100	70240010	100-1/4W-5%-CF-T&R	1	100	100	70240010	100-1/4W-5%-CF-T&R					
1	.001	.001	70340000	.001MF-10%-50VDC-MON-T&R	1	.0015	.0015	70340002	.0015MF-10%-50VDC-T/C-T&R	1	.0015	.0015	70340002	.0015MF-10%-50VDC-T/C-T&R	1	2.7K	2.7K	70240021	2.7K-1/4W-5%-CF-T&R	1	2.7K	2.7K	70240021	2.7K-1/4W-5%-CF-T&R	1	15K	15K	70240027	15K-1/4W-5%-CF-T&R	1	15K	15K	70240027	15K-1/4W-5%-CF-T&R	1	15K	15K	70240027	15K-1/4W-5%-CF-T&R	1	15K	15K	70240027	15K-1/4W-5%-CF-T&R					
1	.0015	.0015	70340010	.0015MF-10%-50VDC-T/C-T&R	1	.0015	.0015	70340010	.0015MF-10%-50VDC-T/C-T&R	1	270MI	270MI	70330098	270PF 5% MICA CAP	1	270MI	270MI	70330098	270PF 5% MICA CAP	1	10K	10K	70240025	10K-1/4W-5%-CF-T&R	1	10K	10K	70240025	10K-1/4W-5%-CF-T&R	1	10K	10K	70240025	10K-1/4W-5%-CF-T&R	1	10K	10K	70240025	10K-1/4W-5%-CF-T&R	1	10K	10K	70240025	10K-1/4W-5%-CF-T&R					
1	.1	.1	70340100	.1MF-80-20%-50VDC-AXL-T&R	1	.015	.015	70330114	0.22 MF 5% 100V STCK FILM t&a	1	.015	.015	70330114	0.22 MF 5% 100V STCK FILM t&a	1	12SRHDR	73717071	73717071	12SRHDR 73717071	12 PIN .100 S/R HEADER .135/.360	1	47	47	70240008	47-1/4W-5%-CF-T&R	1	47	47	70240008	47-1/4W-5%-CF-T&R	1	47	47	70240008	47-1/4W-5%-CF-T&R	1	47	47	70240008	47-1/4W-5%-CF-T&R	1	47	47	70240008	47-1/4W-5%-CF-T&R				
1	10A50	10A50	70320112	10MFD 50V T&R	2	.1	.1	70330100	.1MF-80-20%-50VDC-AXL-T&R	2	.1	.1	70330100	.1MF-80-20%-50VDC-AXL-T&R	1	6SRHDR	73717143	73717143	6SRHDR 73717143	6 PIN S/R HDR 0.100 .135/.360	1	6.8K	6.8K	70240024	6.8K-1/4W-5%-CF-T&R	1	6.8K	6.8K	70240024	6.8K-1/4W-5%-CF-T&R	1	6.8K	6.8K	70240024	6.8K-1/4W-5%-CF-T&R	1	6.8K	6.8K	70240024	6.8K-1/4W-5%-CF-T&R	1	6.8K	6.8K	70240024	6.8K-1/4W-5%-CF-T&R				
1	.22SF2	.22SF2	70330114	0.22 MF 5% 100V STCK FILM t&a	1	47V50	47V50	70320182	47MF-20%-50VDC-LI-T&A	1	47V50	47V50	70320182	47MF-20%-50VDC-LI-T&A	1	47V50	47V50	70320182	47MF-20%-50VDC-LI-T&A	1	47K	47K	70240031	47K-1/4W-5%-CF-T&R	1	47K	47K	70240031	47K-1/4W-5%-CF-T&R	1	47K	47K	70240031	47K-1/4W-5%-CF-T&R	1	47K	47K	70240031	47K-1/4W-5%-CF-T&R	1	47K	47K	70240031	47K-1/4W-5%-CF-T&R					
1	180PF	180PF	70340056	180PF-10%-50VDC-T/C-T&R	2	.1	.1	70340100	.1MF-80-20%-50VDC-AXL-T&R	2	.1	.1	70340100	.1MF-80-20%-50VDC-AXL-T&R	1	12SRHDR	73717071	73717071	12SRHDR 73717071	12 PIN .100 S/R HEADER .135/.360	1	1M	1M	70240039	1M-1/4W-5%-CF-T&R	1	1M	1M	70240039	1M-1/4W-5%-CF-T&R	1	1M	1M	70240039	1M-1/4W-5%-CF-T&R	1	1M	1M	70240039	1M-1/4W-5%-CF-T&R	1	1M	1M	70240039	1M-1/4W-5%-CF-T&R				
1	.015	.015	70340010	.015MF-10%-50VDC-T/C-T&R	1	.015	.015	70330096	0.22 MF 5% 100V STCK FILM t&a	1	.015	.015	70330096	0.22 MF 5% 100V STCK FILM t&a	1	4SRHDR	73717025	73717025	4SRHDR 73717025	4 PIN S/R HDR 0.100 .135/.360	1	10K	10K	70240025	10K-1/4W-5%-CF-T&R	1	10K	10K	70240025	10K-1/4W-5%-CF-T&R	1	10K	10K	70240025	10K-1/4W-5%-CF-T&R	1	10K	10K	70240025	10K-1/4W-5%-CF-T&R	1	10K	10K	70240025	10K-1/4W-5%-CF-T&R				
1	.1	.1	70340100	.1MF-80-20%-50VDC-AXL-T&R	1	47V50	47V50	70320182	47MF-20%-50VDC-LI-T&A	1	47V50	47V50	70320182	47MF-20%-50VDC-LI-T&A	1	47V50	47V50	70320182	47MF-20%-50VDC-LI-T&A	1	47K	47K	70240031	47K-1/4W-5%-CF-T&R	1	47K	47K	70240031	47K-1/4W-5%-CF-T&R	1	47K	47K	70240031	47K-1/4W-5%-CF-T&R	1	47K	47K	70240031	47K-1/4W-5%-CF-T&R	1	47K	47K	70240031	47K-1/4W-5%-CF-T&R					
1	2.2R50	2.2R50	70320180	2.2MF-20%-50VDC-AXL-T&R	1	.001	.001	70340000	.001MF-10%-50VDC-MON-T&R	1	.001	.001	70340000	.001MF-10%-50VDC-MON-T&R	1	680PF	680PF	70330100	680PF 5% MICA CAP	1	2N3919	3919	70463919	SKA-3919 TC92 NPN TRANS T&A	1	2N3919	3919	70463919	SKA-3919 TC92 NPN TRANS T&A	1	2N3919	3919	70463919	SKA-3919 TC92 NPN TRANS T&A	1	2N3919	3919	70463919	SKA-3919 TC92 NPN TRANS T&A	1	2N3919	3919	70463919	SKA-3919 TC92 NPN TRANS T&A	1	2N3919	3919	70463919	SKA-3919 TC92 NPN TRANS T&A
1	.0012MY	.0012MY	70330064	.0012MY-----T/C-T&R	1	.82M	.82M	70330122	0.22 MF 5% 100V STCK FILM t&a	1	.82M	.82M	70330122	0.22 MF 5% 100V STCK FILM t&a	1	2N3919	3919	70463919	SKA-3919 TC92 NPN TRANS T&A	1	2N3919	3919	70463919	SKA-3919 TC92 NPN TRANS T&A	1	2N3919	3919	70463919	SKA-3919 TC92 NPN TRANS T&A	1	2N3919	3919	70463919	SKA-3919 TC92 NPN TRANS T&A	1	2N3919	3919	70463919	SKA-3919 TC92 NPN TRANS T&A	1	2N3919	3919	70463919	SKA-3919 TC92 NPN TRANS T&A					
1	.0068	.0068	70340008	.0068MF-10%-50VDC-MON-T&R	1	.0068	.0068	70340008	.0068MF-10%-50VDC-MON-T&R	1	.0068	.0068	70340008	.0068MF-10%-50VDC-MON-T&R	1	65																																	

1	3.3K	70240022	3.3K-1/4W-5%-CF-T&R	1	3.3K	70240022	3.3K-1/4W-5%-CF-T&R	1	100K	100K	70240034	100K-1/4W-5%-CF-T&R
1	18K	70240028	18K-1/4W-5%-CF-T&R	1	82K	70240033	82K-1/4W-5%-CF-T&R	1	2.2K	2.2K	70240020	2.2K-1/4W-5%-CF-T&R
3	2.2	70240007	2.2-1/4W-5%-CF-T&R	1	680K	70240065	680K-1/4W-5%-CF-T&R	3	3.3K	3.3K	70240022	3.3K-1/4W-5%-CF-T&R
1	18K	70240028	18K-1/4W-5%-CF-T&R	2	4.7K	70240023	4.7K-1/4W-5%-CF-T&R	1	10K	10K	70240025	10K-1/4W-5%-CF-T&R
1	3.3K	70240022	3.3K-1/4W-5%-CF-T&R	1	3.3K	70240022	3.3K-1/4W-5%-CF-T&R	1	220	220	70240058	220-1/4W-5%-CF-T&R
1	220K	70240036	220K-1/4W-5%-CF-T&R	1	4.7K	70240023	4.7K-1/4W-5%-CF-T&R	1	680	680	70240016	680-1/4W-5%-CF-T&R
1	3.3K	70240022	3.3K-1/4W-5%-CF-T&R	1	33K	70240030	33K-1/4W-5%-CF-T&R	2	1K	1K	70240017	1K-1/4W-5%-CF-T&R
1	4.7K	70240031	4.7K-1/4W-5%-CF-T&R	1	3.9K	70241093	3.9K-1/4W-5%-CF-T&R	2	560	560	70240050	560-1/4W-5%-CF-T&R
1	2.2	70240007	2.2-1/4W-5%-CF-T&R	1	1.5K	70240018	1.5K-1/4W-5%-CF-T&R	2	680	680	70240016	680-1/4W-5%-CF-T&R
1	220K	70240036	220K-1/4W-5%-CF-T&R	1	22	70240007	22-1/4W-5%-CF-T&R	2	560	560	70240050	560-1/4W-5%-CF-T&R
1	68K	70240032	68K-1/4W-5%-CF-T&R	1	3.3K	70240022	3.3K-1/4W-5%-CF-T&R	6	1K	1K	70240017	1K-1/4W-5%-CF-T&R
1	10K	70240025	10K-1/4W-5%-CF-T&R	1	18K	70240028	18K-1/4W-5%-CF-T&R	1	22	22	70240007	22-1/4W-5%-CF-T&R
1	10KW1	70210018	10K-1W-5%-MO-T&R	3	22	70240007	22-1/4W-5%-CF-T&R	3	187SOMD	70900924	70900924	SPACER, .187 R.(#4),.187 SWAGE ALUM.
1	3.3K	70240022	3.3K-1/4W-5%-CF-T&R	1	18K	70240028	18K-1/4W-5%-CF-T&R	1	187SOMB	70900935	70900935	SPACER, .187 (#4),.187 SWAGE BRASS
1	1K	70240017	1K-1/4W-5%-CF-T&R	1	3.3K	70240022	3.3K-1/4W-5%-CF-T&R	20	187SOMD	70900924	70900924	SPACER, .187 R.(#4),.187 SWAGE ALUM.
1	8.45KP1	70241010	8.45K-1/4W-1%-MF-T&R	1	220K	70240036	220K-1/4W-5%-CF-T&R	1	4560	4560	70414560	4560 DUAL OP AMP IC
1	4.99KP1	70241060	4.99K-1/4W-1%-MF-T&R	1	3.3K	70240022	3.3K-1/4W-5%-CF-T&R	1	5532	5532	70405532	NESS532FE DUAL LO-NOISE
1	30.1KP1	70241031	30.1K-1/4W-1%-MF-T&R	1	4.7K	70240031	4.7K-1/4W-5%-CF-T&R	1	13080	13080	70413080	LM3080N CUSTOM SELECTED
1	33K	70240030	33K-1/4W-5%-CF-T&R	1	22	70240007	22-1/4W-5%-CF-T&R	1	4558	4558	70404558	IC RC-4558, P DUAL BI-PKG 10
1	8.45KP1	70241010	8.45K-1/4W-1%-MF-T&R	1	220K	70240036	220K-1/4W-5%-CF-T&R	1	4560	4560	70414560	4560 DUAL OP AMP IC
1	4.99KP1	70241050	4.99K-1/4W-1%-MF-T&R	1	68K	70240032	68K-1/4W-5%-CF-T&R	1	4558	4558	70414560	4560 DUAL OP AMP IC
1	2.7K	70240021	2.7K-1/4W-5%-CF-T&R	1	3.3K	70240022	3.3K-1/4W-5%-CF-T&R	1	HC74	74HC74	70430074	74HC74 CMOS DUAL FLIP FLOP
2	5.62KP1	70241098	5.62K-1/4W-1%-MF-T&R	2	10K	70240025	10K-1/4W-5%-CF-T&R	1	4560	4560	70414560	4560 DUAL OP AMP IC
1	30.1KP1	70241031	30.1K-1/4W-1%-MF-T&R	1	10KW1	70210018	10K-1W-5%-MO-T&R	1	HC74	74HC74	70430074	74HC74 CMOS DUAL FLIP FLOP
1	10K	70240025	10K-1/4W-5%-CF-T&R	1	3.3K	70240022	3.3K-1/4W-5%-CF-T&R	1	4560	4560	70414560	4560 DUAL OP AMP IC
1	100	70240010	100-1/4W-5%-CF-T&R	1	1K	70240017	1K-1/4W-5%-CF-T&R	1	5532	5532	70405532	NESS532FE DUAL LO-NOISE
1	330	70240014	330-1/4W-5%-CF-T&R	1	4.7K	70240031	4.7K-1/4W-5%-CF-T&R	1	13080	13080	70413080	LM3080N CUSTOM SELECTED
1	22K	70240029	22K-1/4W-5%-CF-T&R	1	33K	70240030	33K-1/4W-5%-CF-T&R	1	4558	4558	70404558	IC RC-4558, P DUAL BI-PKG 10
1	100	70240010	100-1/4W-5%-CF-T&R	1	220K	70240036	220K-1/4W-5%-CF-T&R	1	ML4825	ML4825	70404825	ML4825-PWM-IC
1	18K	70240028	18K-1/4W-5%-CF-T&R	1	4.7K	70240031	4.7K-1/4W-5%-CF-T&R	1	3086	70423086	70423086	LM3086 OR CA3086 TRANSISTOR ARRAY
1	15K	70240027	15K-1/4W-5%-CF-T&R	1	33K	70240030	33K-1/4W-5%-CF-T&R	2	LM710C	LM710C	70420710	VOLTAGE COMPARATOR
1	10K	70240025	10K-1/4W-5%-CF-T&R	1	220K	70240036	220K-1/4W-5%-CF-T&R	2	74HC132	74HC132	70400132	74HC132 QUAD 2-INPUT NAND
1	4.7	70240008	4.7-1/4W-5%-CF-T&R	1	47	70240008	47-1/4W-5%-CF-T&R	1	74HC74	74HC74	70430074	74HC74 CMOS DUAL FLIP FLOP
1	6.8K	70240024	6.8K-1/4W-5%-CF-T&R	1	270	70240013	270-1/4W-5%-CF-T&R	1	74LS08	70420108	70420108	DUAL INPUT AND GATE
1	4.7K	70240031	4.7K-1/4W-5%-CF-T&R	1	3.9K	70241093	3.9K-1/4W-5%-CF-T&R	2	10KAVB	71190528	71190528	10K 208 AUD MIN VPC W/BRACKET
1	1M	70240039	1M-1/4W-5%-CF-T&R	1	2.2K	70240020	2.2K-1/4W-5%-CF-T&R	1	10KTRIM	10KTRIM	71190009	10K LIN HOR, FC MNT TRIM POT
1	10K	70240025	10K-1/4W-5%-CF-T&R	1	68	70240009	68-1/4W-5%-CF-T&R	1	7812T2HS	7812	70427812	MC 7812 CT REG
1	10KP1	70241050	10K-1/4W-1%-MF-T&R	1	220	70240058	220-1/4W-5%-CF-T&R	1	7912T2HS	7912	70427912	VR CT REG
1	4.7K	70240031	4.7K-1/4W-5%-CF-T&R	1	3.9K	70241093	3.9K-1/4W-5%-CF-T&R	1	*****	*****	*****	*****
1	4.70	70240015	4.70-1/4W-5%-CF-T&R	1	1K	70240017	1K-1/4W-5%-CF-T&R	1	7912T2HS	7912	70427912	VR CT REG
1	2.2K	70240020	2.2K-1/4W-5%-CF-T&R	1	270	70240013	270-1/4W-5%-CF-T&R	1	7912T2HS	7912	70427912	VR CT REG
1	5.23KP1	70241071	5.23K-1/4W-1%-MF-T&R	2	6.8K	70240024	6.8K-1/4W-5%-CF-T&R	2	10KAVB	71190528	71190528	10K 208 AUD MIN VPC W/BRACKET
1	10KP1	70241050	10K-1/4W-1%-MF-T&R	1	220	70240058	220-1/4W-5%-CF-T&R	1	10KTRIM	10KTRIM	71190009	10K LIN HOR, FC MNT TRIM POT
1	4.99KP1	70241060	4.99K-1/4W-1%-MF-T&R	1	1K	70240017	1K-1/4W-5%-CF-T&R	1	7812T2HS	7812	70427812	MC 7812 CT REG
2	2.2K	70240020	2.2K-1/4W-5%-CF-T&R	1	4.7K	70210023	4.7K-1/4W-5%-CF-T&R	1	7912T2HS	7912	70427912	VR CT REG
1	10K	70240025	10K-1/4W-5%-CF-T&R	1	10K	70240025	10K-1/4W-5%-CF-T&R	1	*****	*****	*****	*****
1	4.7K	70240023	4.7K-1/4W-5%-CF-T&R	1	100K	70240034	100K-1/4W-5%-CF-T&R	1	7912T2HS	7912	70427912	VR CT REG
1	12K	70240057	12K-1/4W-5%-CF-T&R	3	10K	70240025	10K-1/4W-5%-CF-T&R	1	7912T2HS	7912	70427912	VR CT REG
1	10K	70240025	10K-1/4W-5%-CF-T&R	1	100K	70240034	100K-1/4W-5%-CF-T&R	1	7912T2HS	7912	70427912	VR CT REG
1	4.7K	70240023	4.7K-1/4W-5%-CF-T&R	1	100K	70240034	100K-1/4W-5%-CF-T&R	1	7912T2HS	7912	70427912	VR CT REG
1	10K	70240025	10K-1/4W-5%-CF-T&R	1	100K	70240034	100K-1/4W-5%-CF-T&R	1	7912T2HS	7912	70427912	VR CT REG
1	4.7K	70240023	4.7K-1/4W-5%-CF-T&R	1	100K	70240034	100K-1/4W-5%-CF-T&R	1	7912T2HS	7912	70427912	VR CT REG
1	10K	70240025	10K-1/4W-5%-CF-T&R	1	100K	70240034	100K-1/4W-5%-CF-T&R	1	7912T2HS	7912	70427912	VR CT REG
1	4.7K	70240023	4.7K-1/4W-5%-CF-T&R	1	100K	70240034	100K-1/4W-5%-CF-T&R	1	7912T2HS	7912	70427912	VR CT REG
1	10K	70240025	10K-1/4W-5%-CF-T&R	1	100K	70240034	100K-1/4W-5%-CF-T&R	1	7912T2HS	7912	70427912	VR CT REG
1	4.7K	70240023	4.7K-1/4W-5%-CF-T&R	1	100K	70240034	100K-1/4W-5%-CF-T&R	1	7912T2HS	7912	70427912	VR CT REG
1	10K	70240025	10K-1/4W-5%-CF-T&R	1	100K	70240034	100K-1/4W-5%-CF-T&R	1	7912T2HS	7912	70427912	VR CT REG
1	4.7K	70240023	4.7K-1/4W-5%-CF-T&R	1	100K	70240034	100K-1/4W-5%-CF-T&R	1	7912T2HS	7912	70427912	VR CT REG
1	10K	70240025	10K-1/4W-5%-CF-T&R	1	100K	70240034	100K-1/4W-5%-CF-T&R	1	7912T2HS	7912	70427912	VR CT REG
1	4.7K	70240023	4.7K-1/4W-5%-CF-T&R	1	100K	70240034	100K-1/4W-5%-CF-T&R	1	7912T2HS	7912	70427912	VR CT REG
1	10K	70240025	10K-1/4W-5%-CF-T&R	1	100K	70240034	100K-1/4W-5%-CF-T&R	1	7912T2HS	7912	70427912	VR CT REG
1	4.7K	70240023	4.7K-1/4W-5%-CF-T&R	1	100K	70240034	100K-1/4W-5%-CF-T&R	1	7912T2HS	7912	70427912	VR CT REG
1	10K	70240025	10K-1/4W-5%-CF-T&R	1	100K	70240034	100K-1/4W-5%-CF-T&R	1	7912T2HS	7912	70427912	VR CT REG
1	4.7K	70240023	4.7K-1/4W-5%-CF-T&R	1	100K	70240034	100K-1/4W-5%-CF-T&R	1	7912T2HS	7912	70427912	VR CT REG
1	10K	70240025	10K-1/4W-5%-CF-T&R	1	100K	70240034	100K-1/4W-5%-CF-T&R	1	7912T2HS	7912	70427912	VR CT REG
1	4.7K	70240023	4.7K-1/4W-5%-CF-T&R	1	100K	70240034	100K-1/4W-5%-CF-T&R	1	7912T2HS	7912	70427912	VR CT REG
1	10K	70240025	10K-1/4W-5%-CF-T&R	1	100K	70240034	100K-1/4W-5%-CF-T&R	1	7912T2HS	7912	70427912	VR CT REG
1	4.7K	70240023	4.7K-1/4W-5%-CF-T&R	1	100K	70240034	100K-1/4W-5%-CF-T&R	1	7912T2HS	7912	70427912	VR CT REG
1	10K	70240025	10K-1/4W-5%-CF-T&R	1	100K	70240034	100K-1/4W-5%-CF-T&R	1	7912T2HS	7912	70427912	VR CT REG
1	4.7K	70240023	4.7K-1/4W-5%-CF-T&R	1	100K	70240034	100K-1/4W-5%-CF-T&R	1	7912T2HS	7912	70427912	VR CT REG
1	10K	70240025	10K-1/4W-5%-CF-T&R	1	100K	70240034	100K-1/4W-5%-CF-T&R	1	7912T2HS	7912	70427912	VR CT REG
1	4.7K	70240023	4.7K-1/4W-5%-CF-T&R	1	100K	70240034	100K-1/4W-5%-CF-T&R	1	7912T2HS	7912	70427912	VR CT REG
1	10K	70240025	10K-1/4W-5%-CF-T&R	1	100K	70						