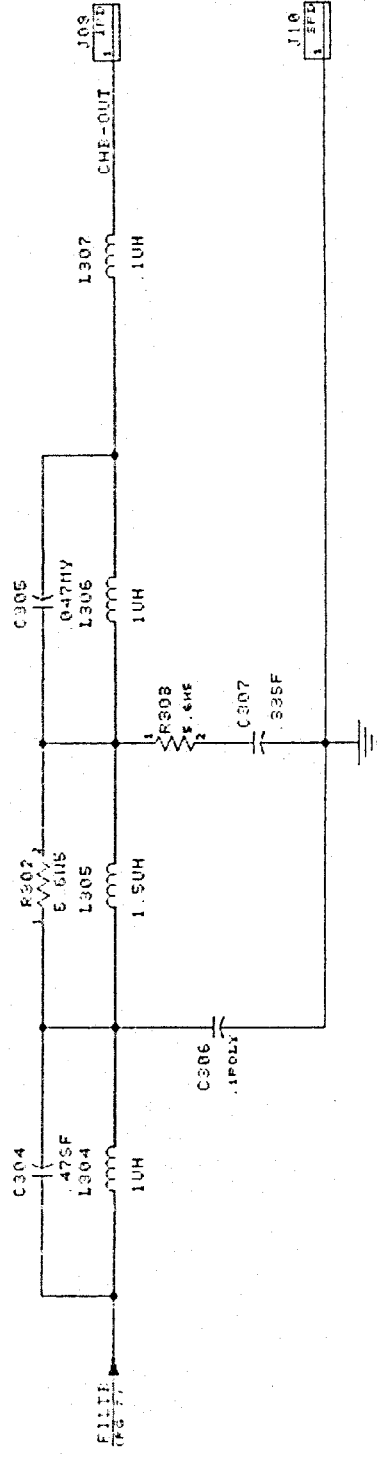


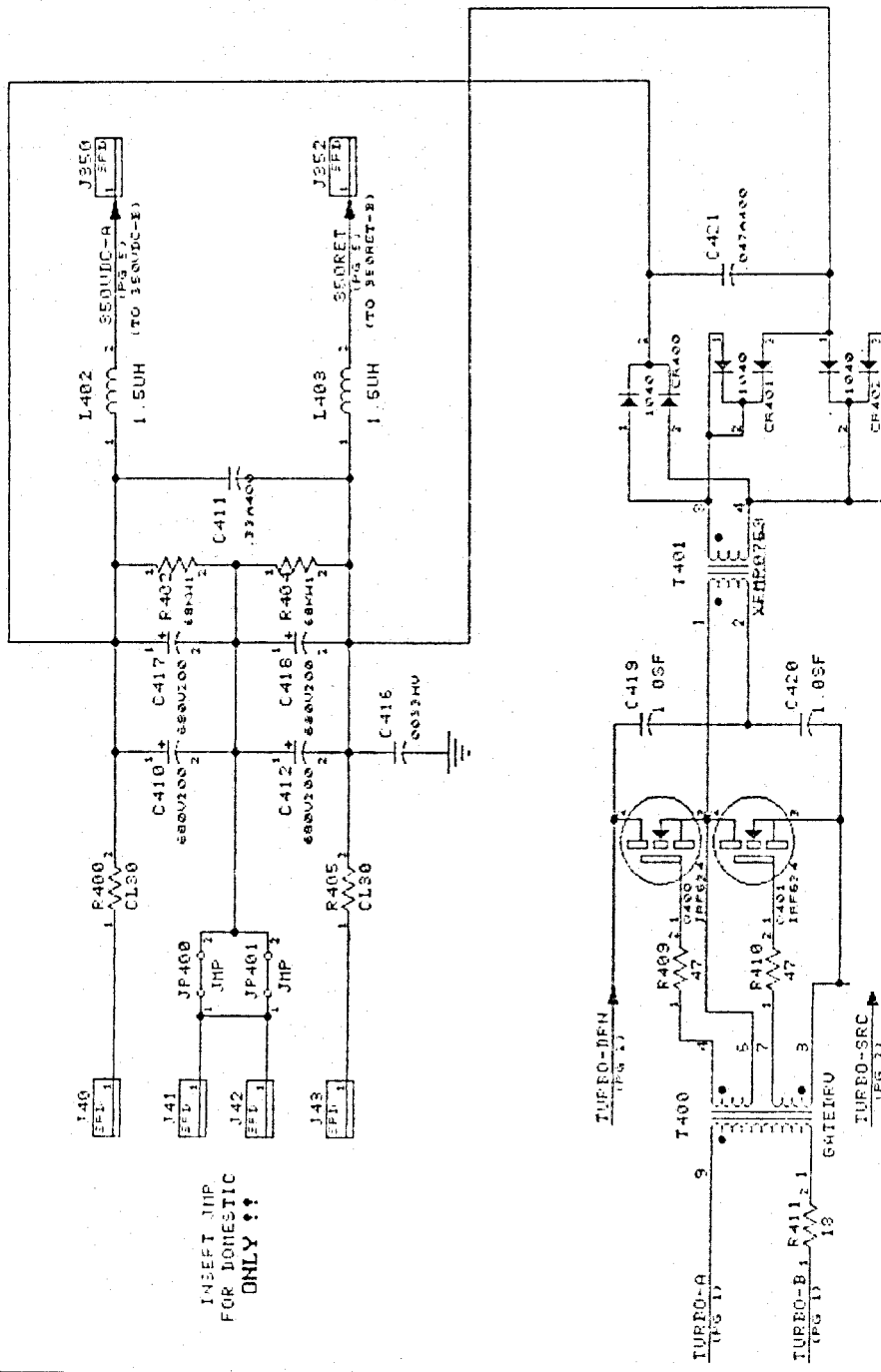
CH-A OUTPUT  
TO BACK BD



CH-B OUTPUT  
TO BACK BD

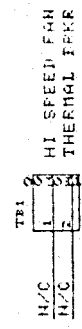
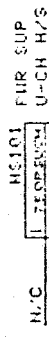
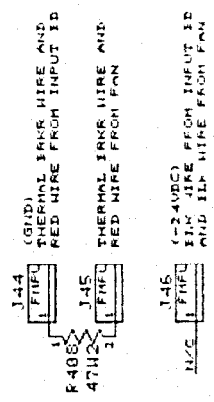
PEAVEY ELECTRONICS CORP. 711 A STREET MERIDIAN, MS 39301		F01EFS	
TITLE <b>DPC-750 POWER</b>		SIZE B	NUMBER XXXXXXX
DATE 18-OCT-90	SHEET 2	OF 7	

NOTE HIGHEST REF R303 C307 L307 J16

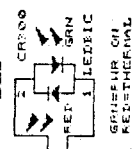


IN-HEET JMP  
FOR DOMESTIC  
ONLY !!

SLOW SPEED  
RESISTOR  
FOR FAN

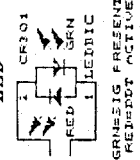


CH-A  
STATUS  
LED



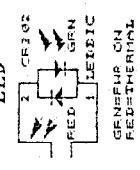
GREEN ON  
RED-THERMAL

CH-A  
SIGNAL  
LED



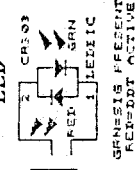
GREEN PRESENT  
RED-OUT ACTIVE

CH-B  
STATUS  
LED



GREEN ON  
RED-THERMAL

CH-B  
SIGNAL  
LED

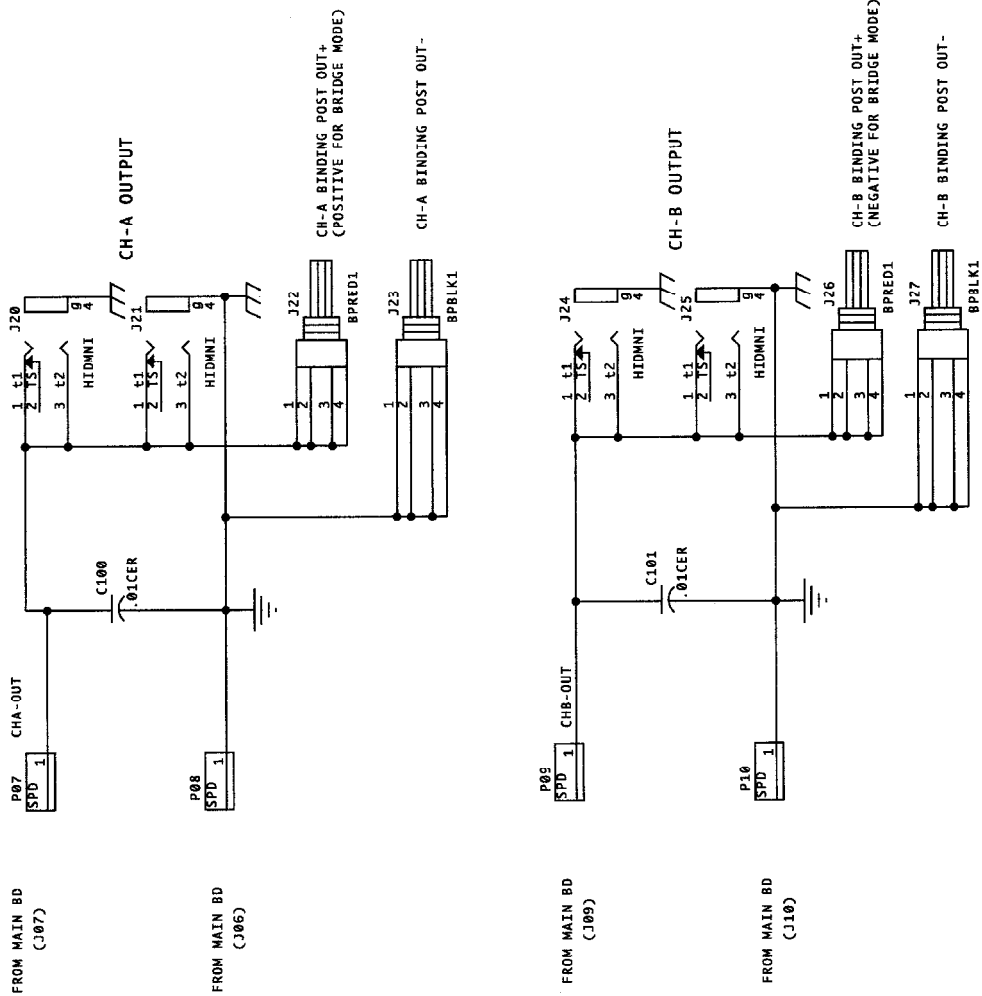


GREEN PRESENT  
RED-OUT ACTIVE

PERVEY ELECTRONICS CORP. 711 A STREET MERIDIAN, MS 39301		POWER4
TITLE	DPC-750 POWER	FEU
SIZE	B	XXXXXXXXXX
DATE	7-AUG-91	SHEET 4 OF 7

NOTE HIGHEST REF. R411, R412, R416, C421, L403, J352

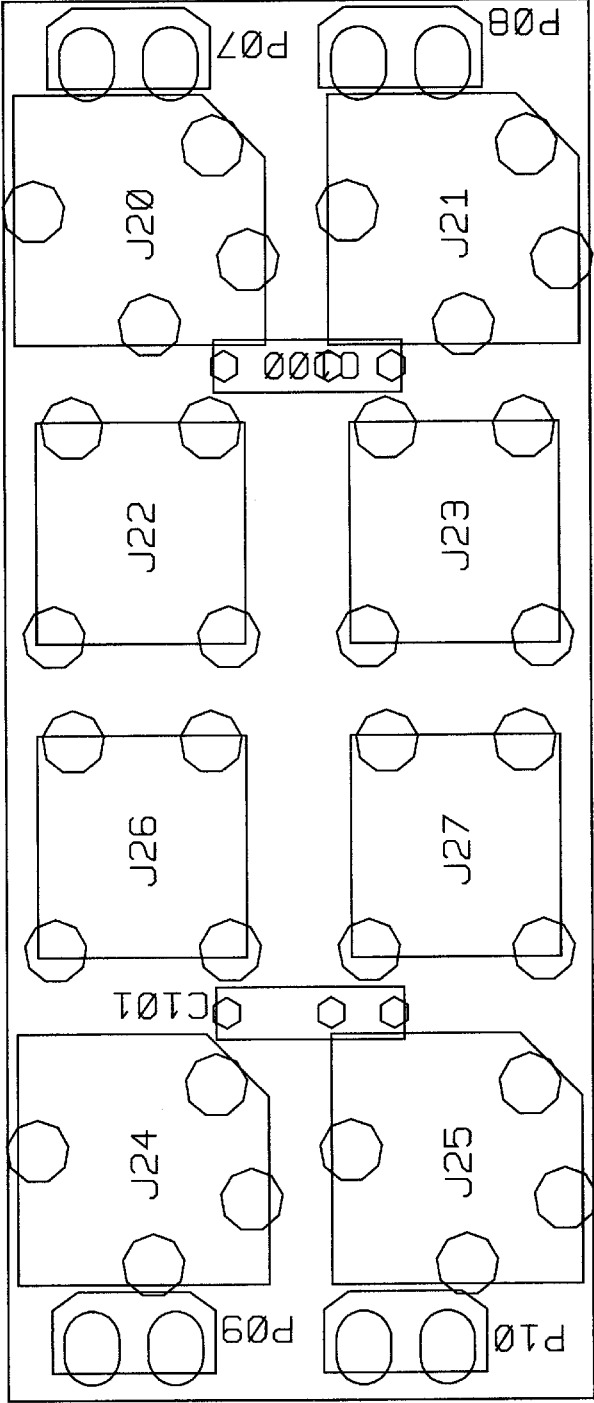
NOTICE: THIS CIRCUITRY IS PROTECTED BY U.S. PATENT NOS. 4,318,053 AND 4,992,751. FOREIGN #'S 609656 64356 2,009,775 173,212 49567 0,386,933 P 690 11 550,4-08 (PATENTS PENDING) OWNED BY PEAVEY ELECTRONICS CORP. USE OR COPYING WITHOUT EXPRESS WRITTEN AUTHORITY FROM PEAVEY IS STRICTLY FORBIDDEN AND VIOLATORS WILL BE PROSECUTED TO THE FULLEST EXTENT ALLOWED UNDER U.S. PATENT LAWS.



PEAVEY ELECTRONICS CORP.  
711 A STREET  
MERIDIAN, MS 39301

TITLE  
DPC-1000 BACK

SIZE	CODE	NUMBER	REV
B		99095820	
		#81502384	
DATE	31-MAY-95		SHEET 1 OF 1



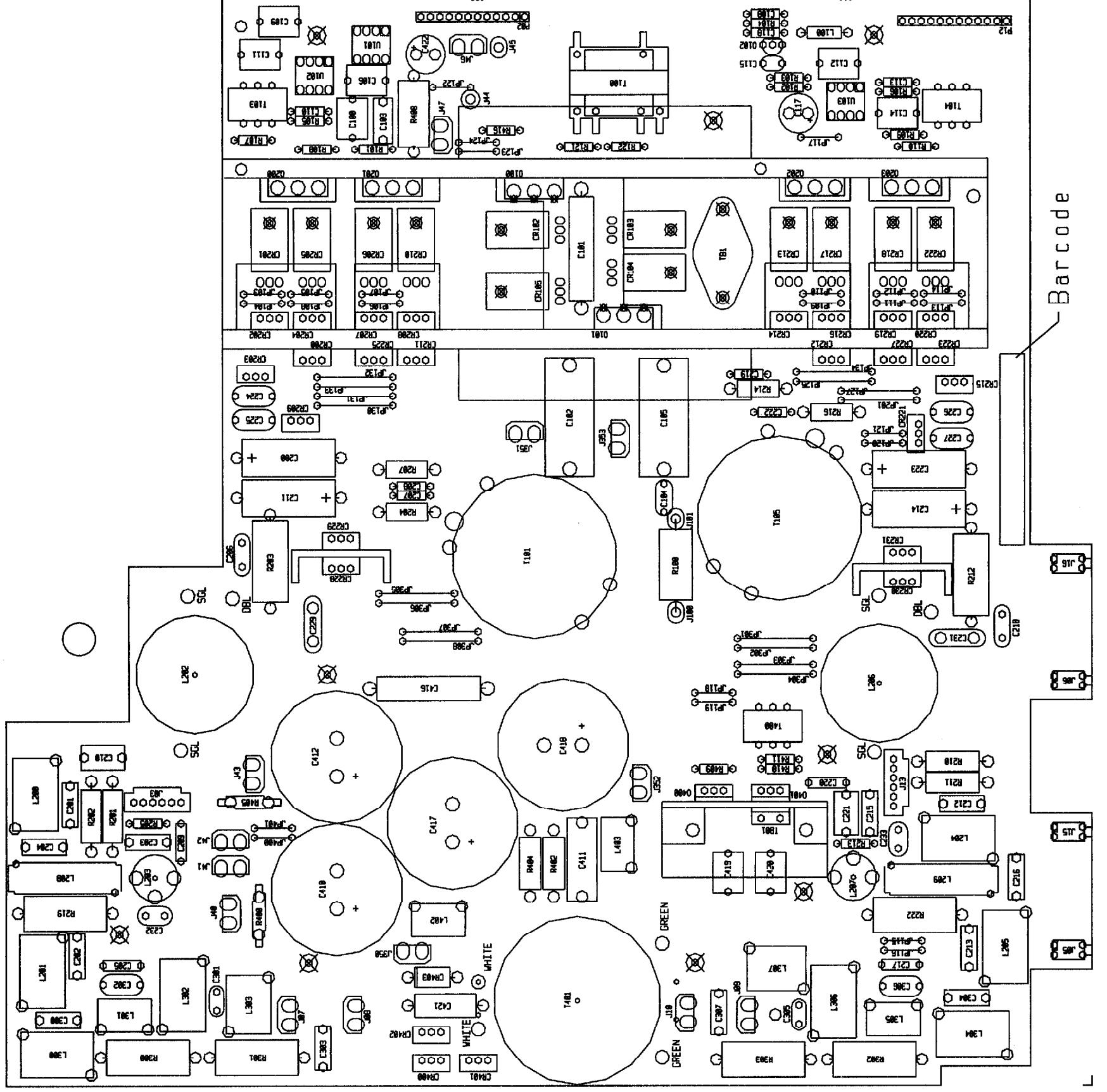
**DPC BACK**

BOARD NAME: BACK BD  
 ASSEMBLY LEVEL NUMBER: 99095820

QTY.	NAME	VALUE	PART NUMBER	DESCRIPTION AND DEVICE DESIGNATIONS
2	.01CER	.01CER	70320099	.01 MFD 1000VDC CD -UNCUT
2	HIDMNI	71466214	71466214	C100, C101
1	BPRED1	71466201	71466201	2 TIP HID JACK NINS W/SPD
1	BPBLK1	71466200	71466200	J20, J21
2	HIDMNI	71466214	71466214	BINDING POST PC RED-90
1	BPRED1	71466201	71466201	J22
1	BPBLK1	71466200	71466200	BINDING POST PC BLK-90
2	HIDMNI	71466214	71466214	J23
1	BPRED1	71466201	71466201	2 TIP HID JACK NINS W/SPD
1	BPBLK1	71466200	71466200	J24, J25
4	SPD	73716194	73716194	BINDING POST PC RED-90
				J26
				BINDING POST PC BLK-90
				J27
				.250 PC MNT SPADE .093 PCB
				P07, P08, P09, P10

\*\*\*\*\*

(C) DO NOT INSERT JP400 & JP401 for:  
EXPORT VERSION(S)  
(DPC750, DPC1000)



DPC 750 Power Amp

