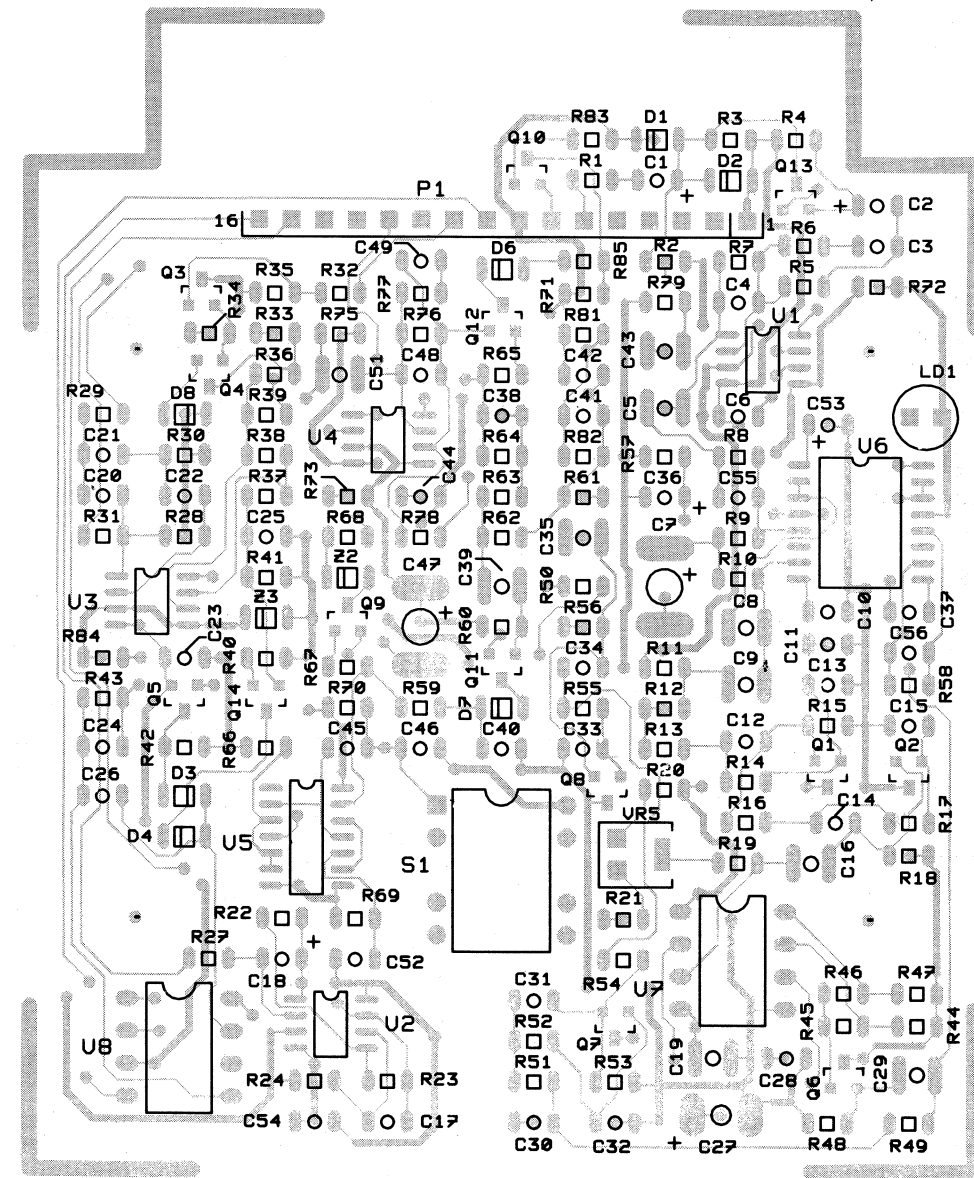
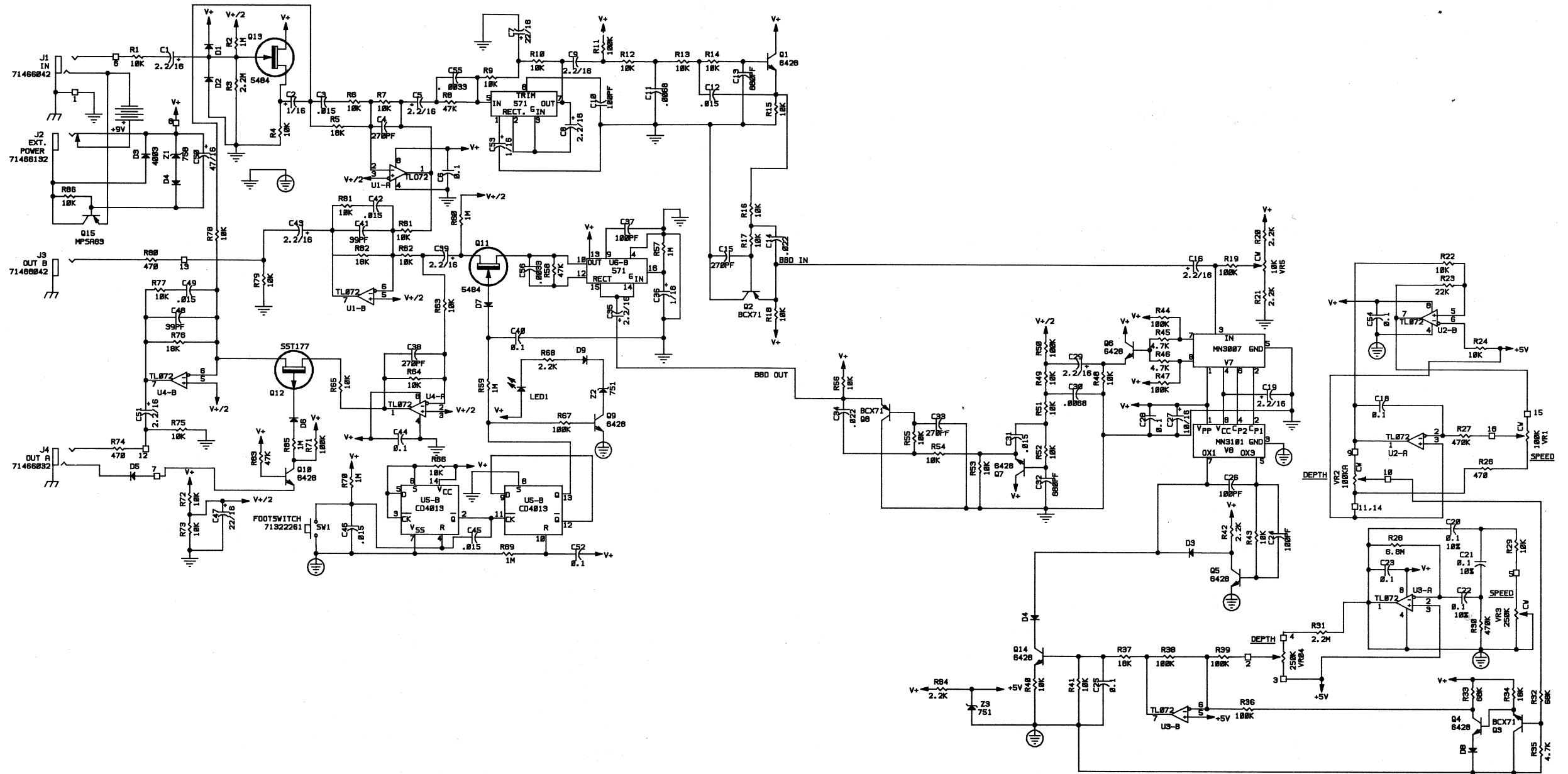


DSC-4 PATCH BD.



DSC-4 SIGNAL BD.

NOTES:
 ALL RESISTORS 1/4W UNLESS NOTED
 ALL RESISTORS IN OHMS UNLESS NOTED
 ALL POTS ARE LINEAR UNLESS NOTED
 ALL CAPACITORS IN MFD UNLESS NOTED
 ALL DIODES 1N4148 UNLESS NOTED
 VOLTAGES MAY VARY FROM UNIT TO UNIT



DSC-4

PATCH BD. #98893441 (8-11-87)
 SIGWR. BD. #72188857 (7-28-87)

PEAVEY ELECTRONICS CORP. 711 A ST. MERIDIAN, MS	
DRAWN BY DRH	DATE 10-23-87
C.B. CK. DRH	
CK. BY R.Kelly	
APPR. BY	