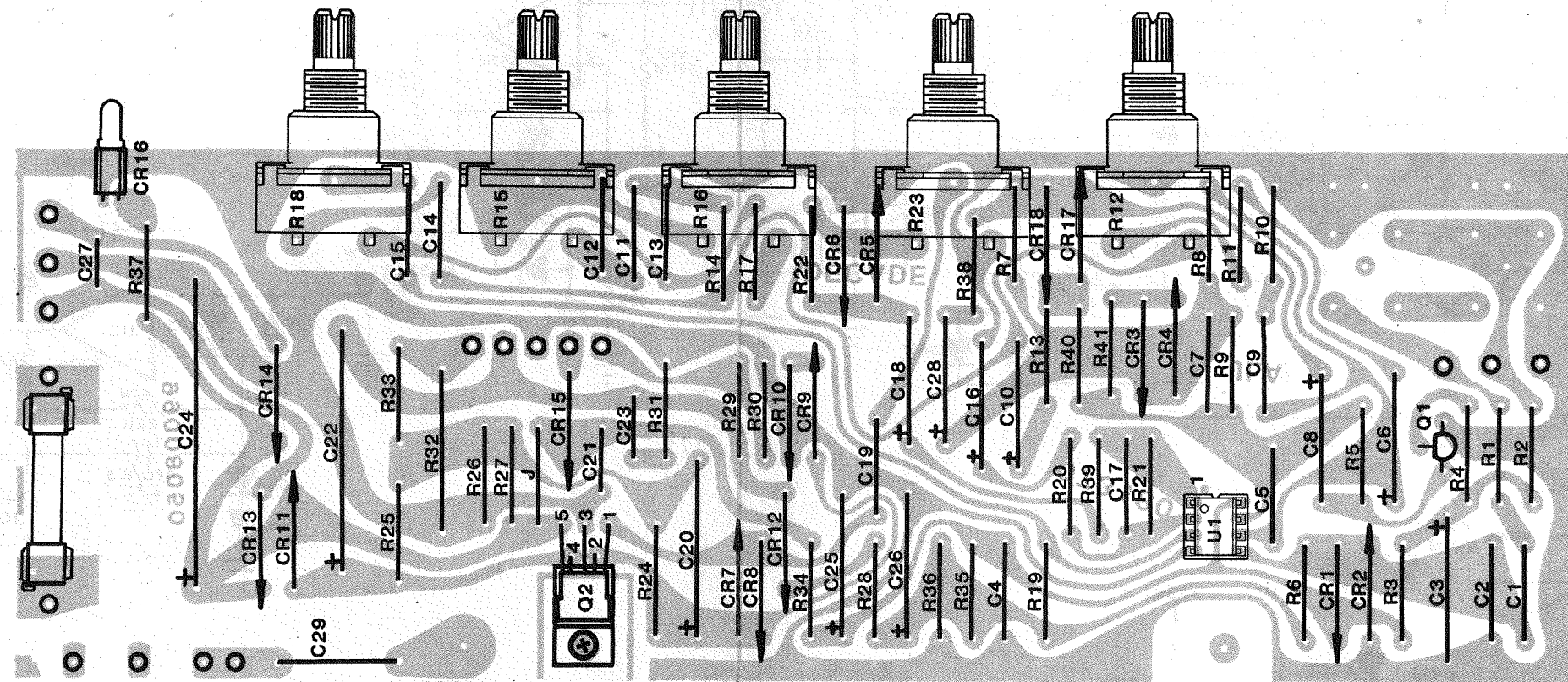


DECADE
BD. # 99008050

NOTES
 ALL POTS ARE LINEAR UNLESS NOTED
 ALL RESISTORS 1/4W UNLESS NOTED
 ALL RESISTORS IN OHMS UNLESS NOTED
 ALL CAPACITORS IN MFD UNLESS NOTED
 ALL DIODES IN4148 UNLESS NOTED
 LAST REF. DESIGNATOR USED:
 R41 C29 CR18 U2

PEAVEY ELECTRONICS CORP. MERIDIAN, MS.	
DRAWN BY <i>REA</i>	DATE 6-18-80
C.B. CHECK <i>REA</i>	
CHECK BY <i>JAB</i>	
APPR. BY <i>JCB</i>	



DECADE

ALL DIMENSIONS IN MILLIMETERS
ALL DIMENSIONS IN INCHES
ALL DIMENSIONS IN DECIMALS
ALL DIMENSIONS IN FRACTIONS
ALL DIMENSIONS IN MILLIMETERS
ALL DIMENSIONS IN INCHES
ALL DIMENSIONS IN DECIMALS
ALL DIMENSIONS IN FRACTIONS

REV.	DATE	BY	CHKD.	APP.