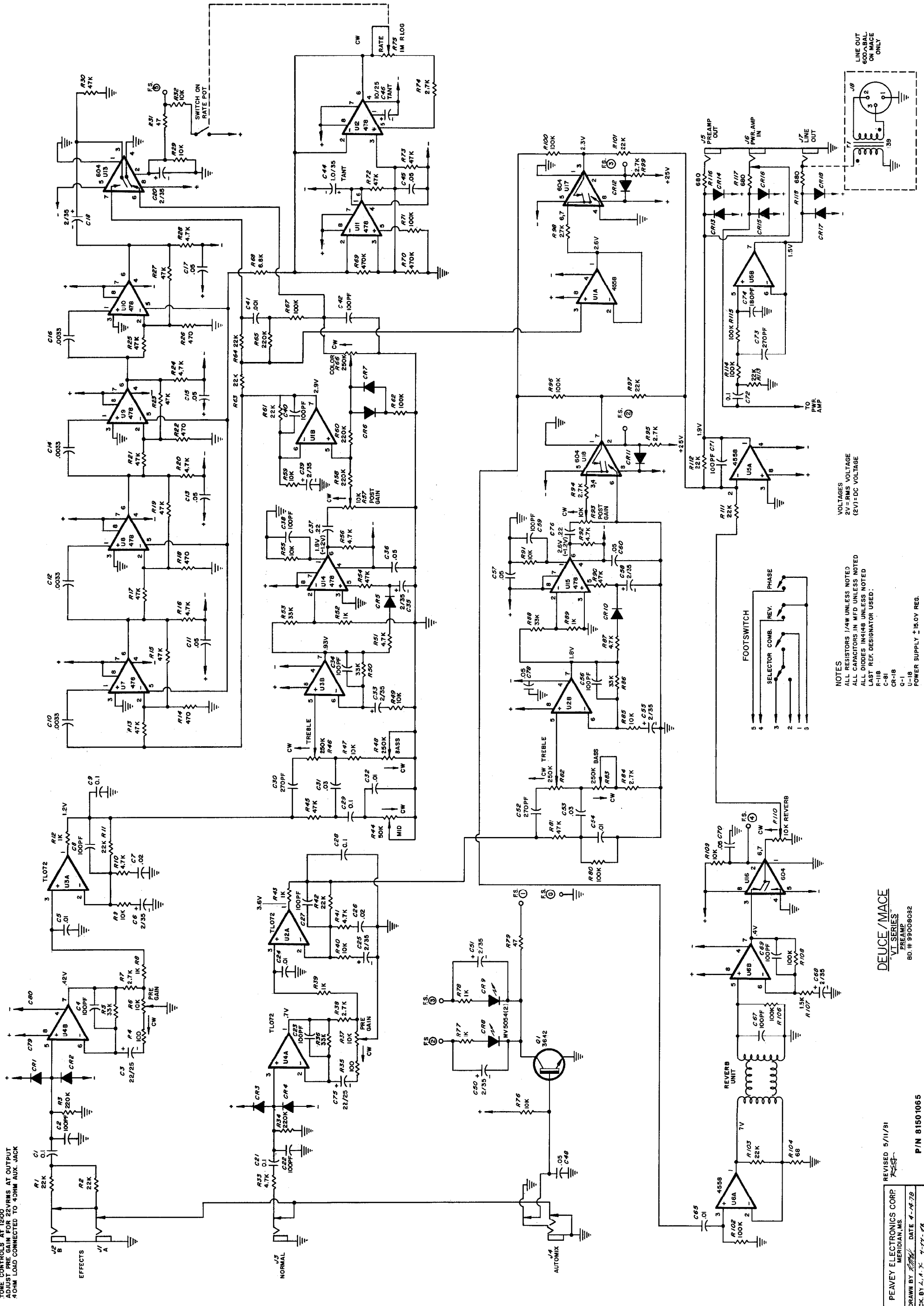


TEST CONDITIONS:
 INPUT SIGNAL - 15V RMS @ 1KHz
 POST GAIN FULL
 TONE CONTROLS AT 12000
 ADJUST PRE GAIN FOR 22V RMS AT OUTPUT
 40HM LOAD CONNECTED TO 40HM AUX. JACK



VOLTAGES
 2V - RMS VOLTAGE
 (2V)-DC VOLTAGE

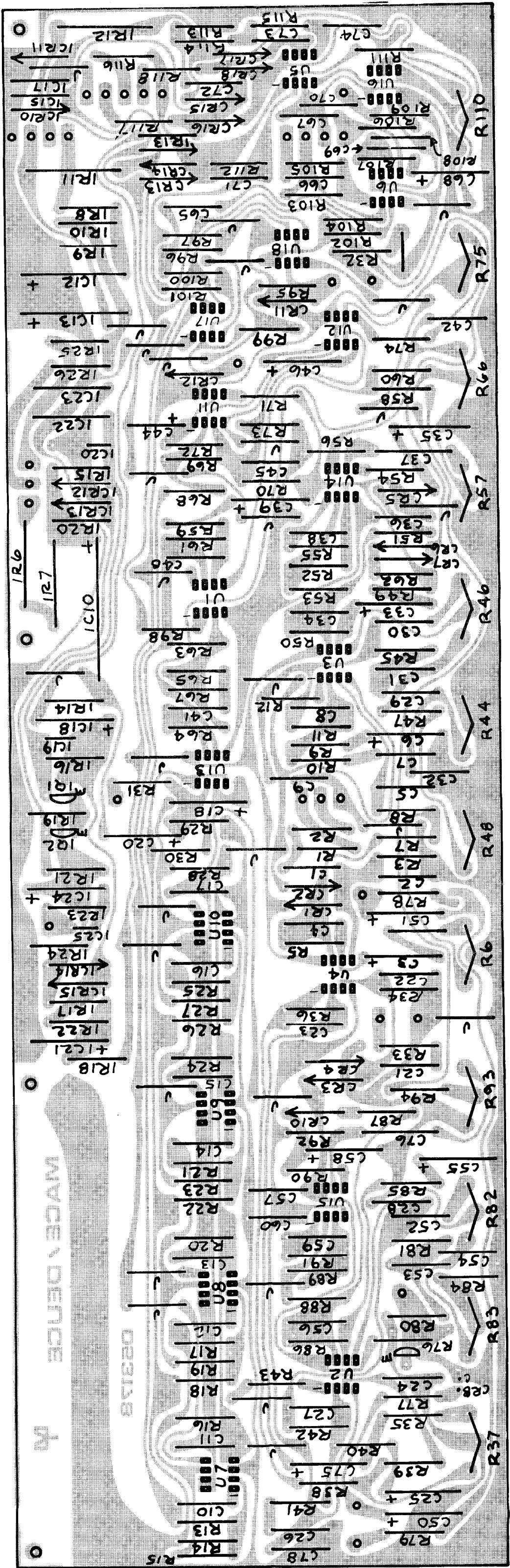
NOTES
 ALL RESISTORS 1/4W UNLESS NOTED
 ALL CAPACITORS IN MFD UNLESS NOTED
 ALL DIODES IN MFD UNLESS NOTED
 CAP. REF. DESIGNATOR USED.

DELUCE/MACE
 VT SERIES
 80-113000082

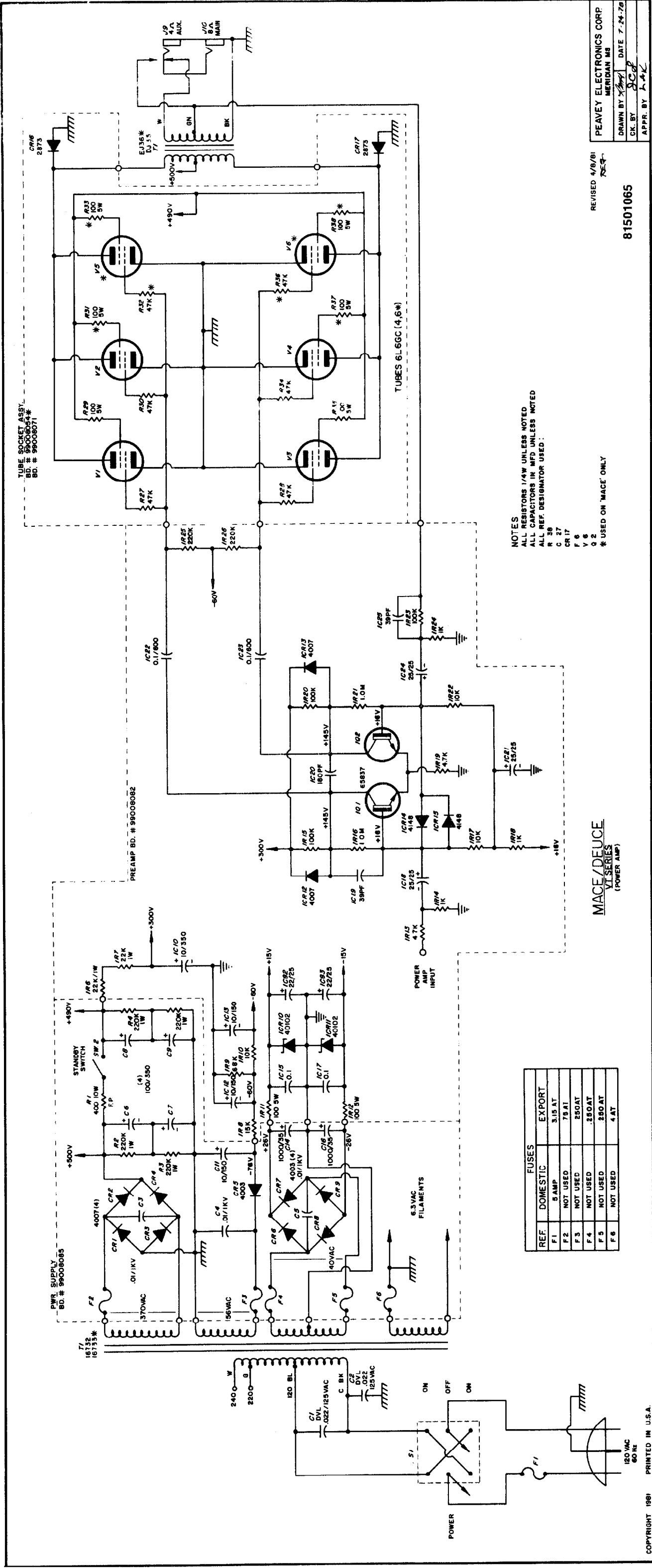
REVISED 5/11/81
 PEAVEY ELECTRONICS CORP.
 MERIDIAN, MS.

DATE 4-14-78
 CK BY L.A.C. 4-17-78
 APPR. BY J.C.B.

P/N 81501065



MACE / DEUCE "78"



PEAVEY ELECTRONICS CORP.
 MERIDIAN MD
 DRAWN BY *[Signature]* DATE 7-24-78
 CK. BY *[Signature]*
 APPR. BY *[Signature]*

REVISED 4/8/81
 81501065

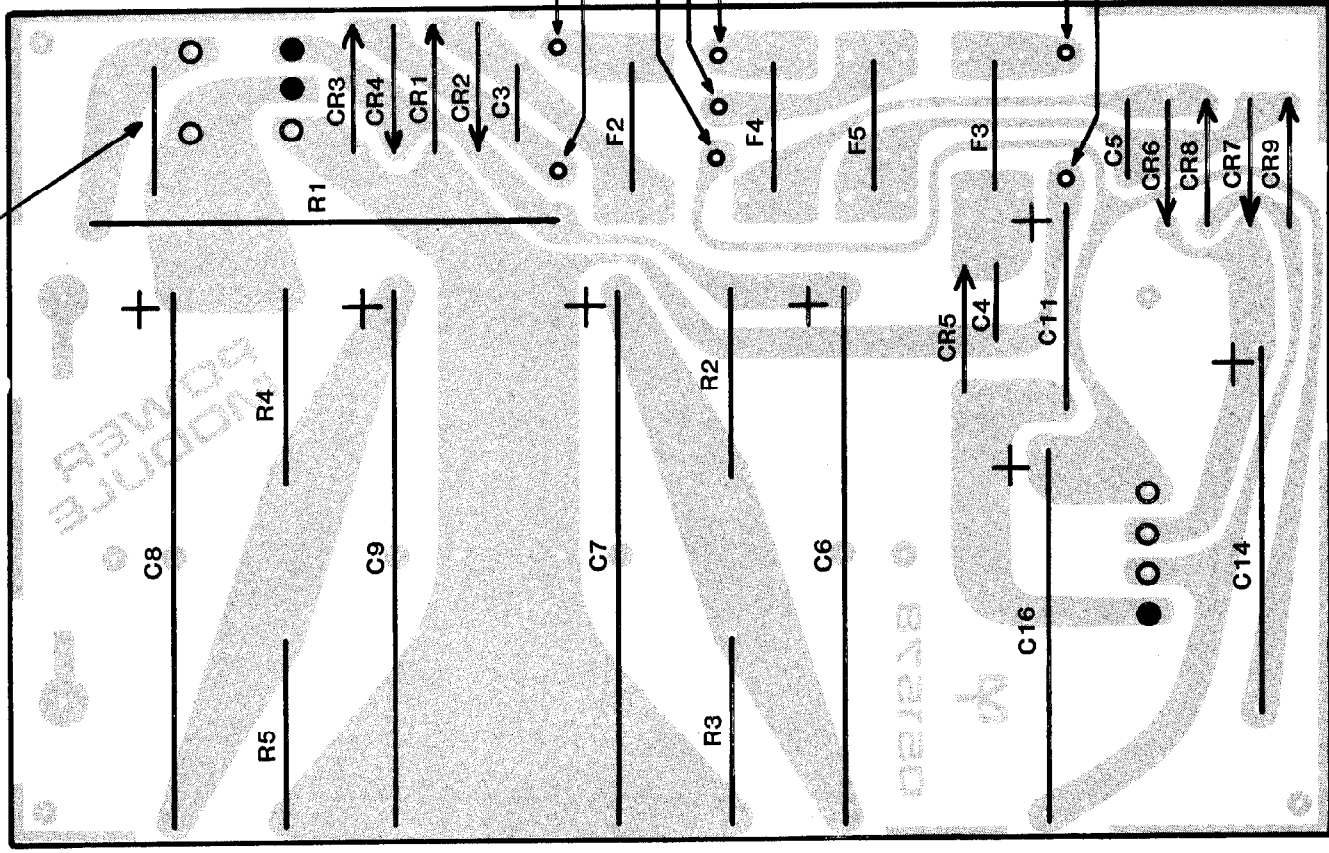
NOTES
 ALL RESISTORS 1/4W UNLESS NOTED
 ALL CAPACITORS IN MFD UNLESS NOTED
 ALL REF. DESIGNATOR USED:
 R 38
 C 27
 CR 17
 F 6
 V 6
 Q 2
 * USED ON 'MACE' ONLY

MACE/DEUCE
 VI SERIES
 (POWER AMP)

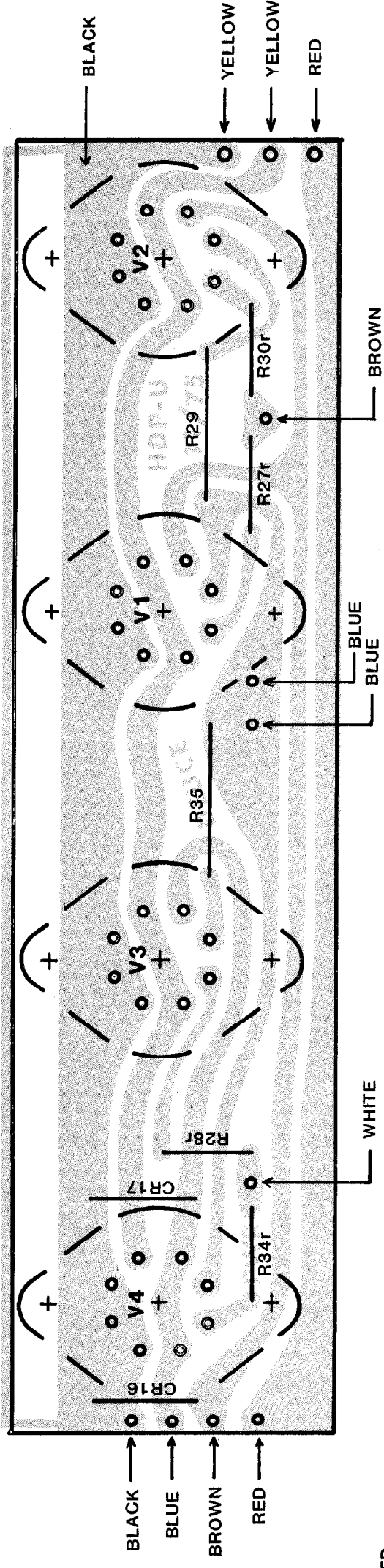
REF.	DOMESTIC	EXPORT
F1	5 AMP	3.15 AT
F2	NOT USED	75 AT
F3	NOT USED	250 AT
F4	NOT USED	.250 AT
F5	NOT USED	200 AT
F6	NOT USED	4 AT

DEUCE/MACE/CLASSIC/ARTIST
POWER SUPPLY BOARD

JUMPER USED ONLY IN "CLASSIC" MODEL

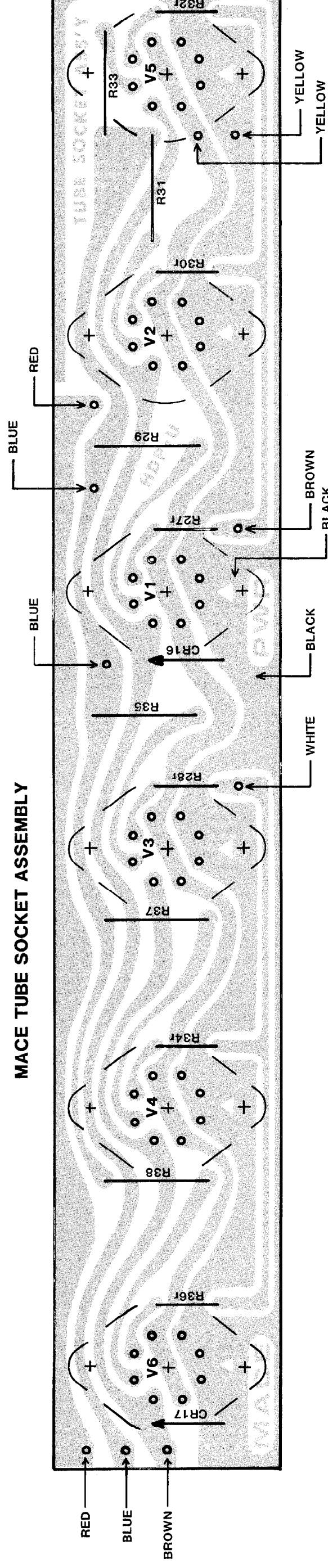


DEUCE TUBE SOCKET ASSEMBLY



RESISTORS DESIGNATED (r) LOCATED ON REVERSE SIDE OF PC BOARD

MACE TUBE SOCKET ASSEMBLY



RESISTORS DESIGNATED (r) LOCATED ON REVERSE SIDE OF PC BOARD