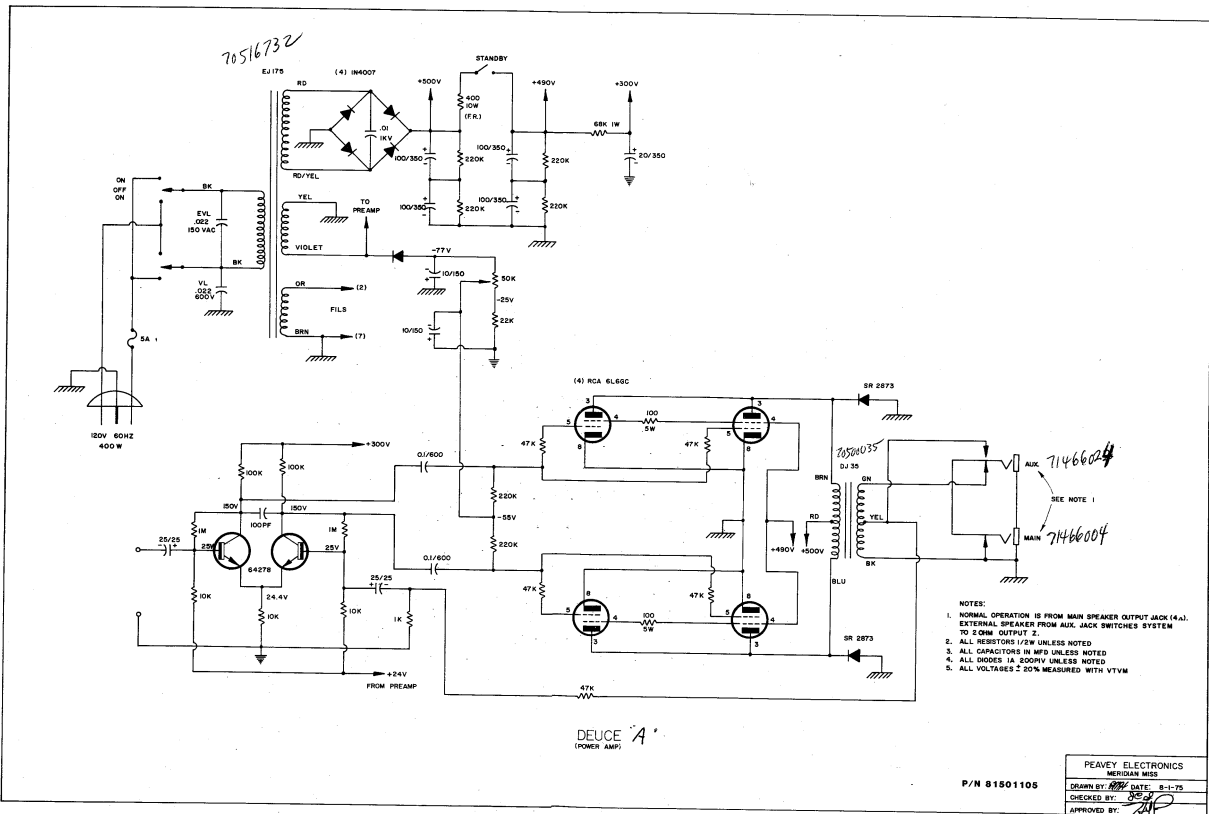


70516732



- NOTES:
- 1. NORMAL OPERATION IS FROM MAIN SPEAKER OUTPUT JACK (4.A). EXTERNAL SPEAKER FROM AUX. JACK SWITCHES SYSTEM TO FORM OUTPUT 2.
 - 2. ALL RESISTORS 1/2W UNLESS NOTED
 - 3. ALL CAPACITORS IN MFD UNLESS NOTED
 - 4. ALL DIODES 1A 200PVS UNLESS NOTED
 - 5. ALL VOLTAGES ± 20% MEASURED WITH VTVM



PEAVEY ELECTRONICS
MERIDIAN MISS
DESIGNED BY: [Signature] DATE: 8-1-75
CHECKED BY: [Signature]
APPROVED BY: [Signature]

PEAVEY ELECTRONICS CORP. / 711 "A" Street / P. O. Box 2898 / Meridian, Mississippi

MADE IN USA