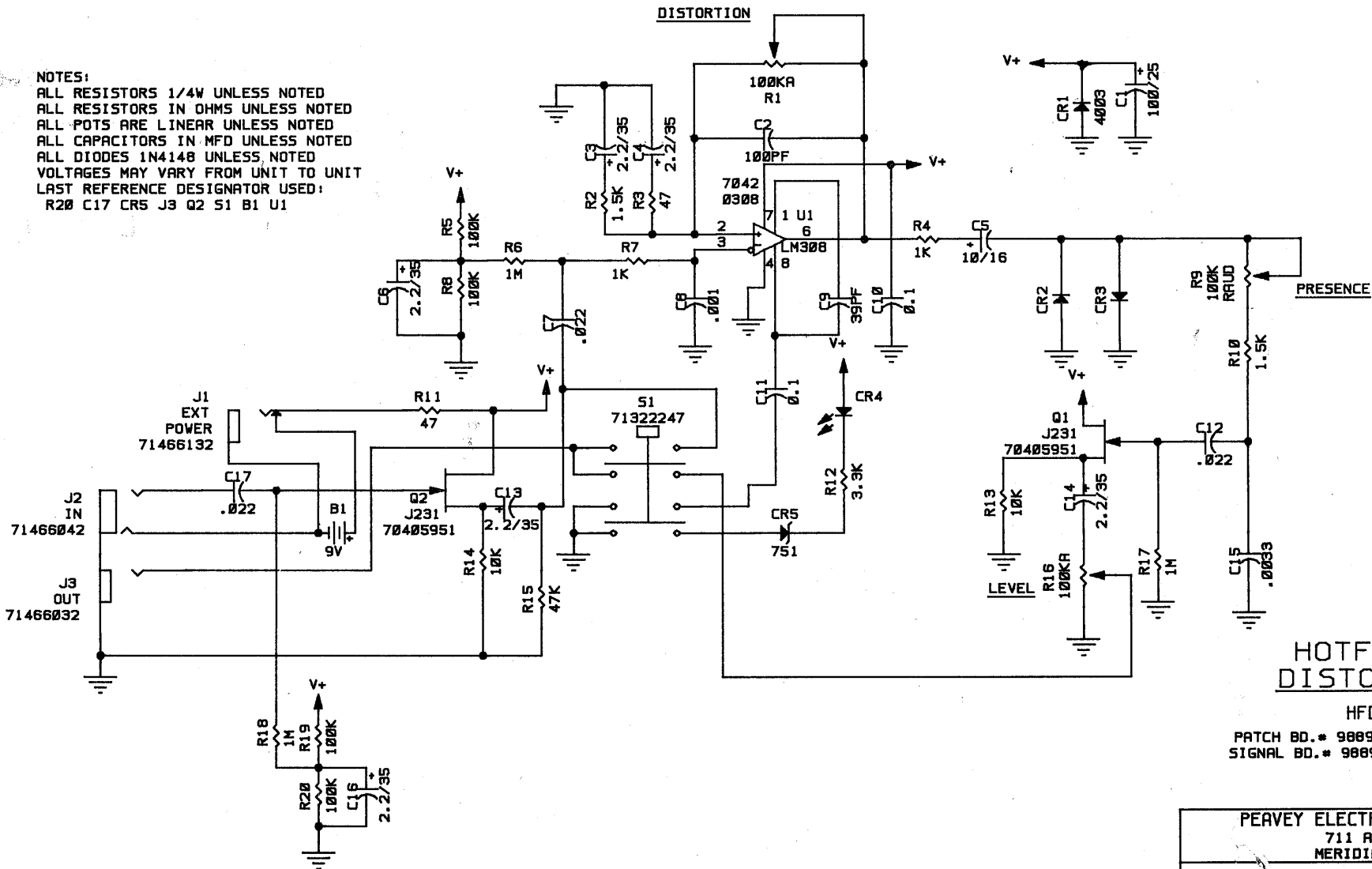


NOTES:
 ALL RESISTORS 1/4W UNLESS NOTED
 ALL RESISTORS IN OHMS UNLESS NOTED
 ALL POTS ARE LINEAR UNLESS NOTED
 ALL CAPACITORS IN MFD UNLESS NOTED
 ALL DIODES 1N4148 UNLESS NOTED
 VOLTAGES MAY VARY FROM UNIT TO UNIT
 LAST REFERENCE DESIGNATOR USED:
 R20 C17 CR5 J3 Q2 S1 B1 U1



HOTFOOT™ DISTORTION

HFD-2

PATCH BD.* 98893401 (01-26-87)
 SIGNAL BD.* 98893410 (11-14-86)

PEAVEY ELECTRONICS CORP.
 711 A ST.
 MERIDIAN, MS

DRAWN BY <i>JRH</i>	DATE <i>9-11-87</i>
C.B. CK. <i>JRH</i>	
CK. BY <i>LSH</i>	
APPR. BY <i>ST</i>	

