

6

5

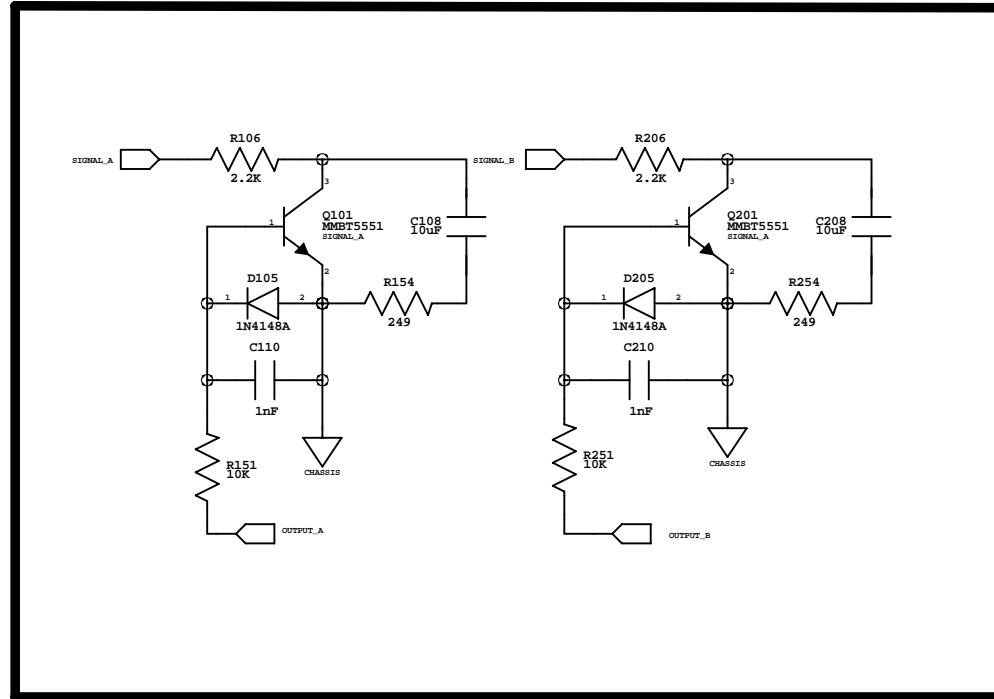
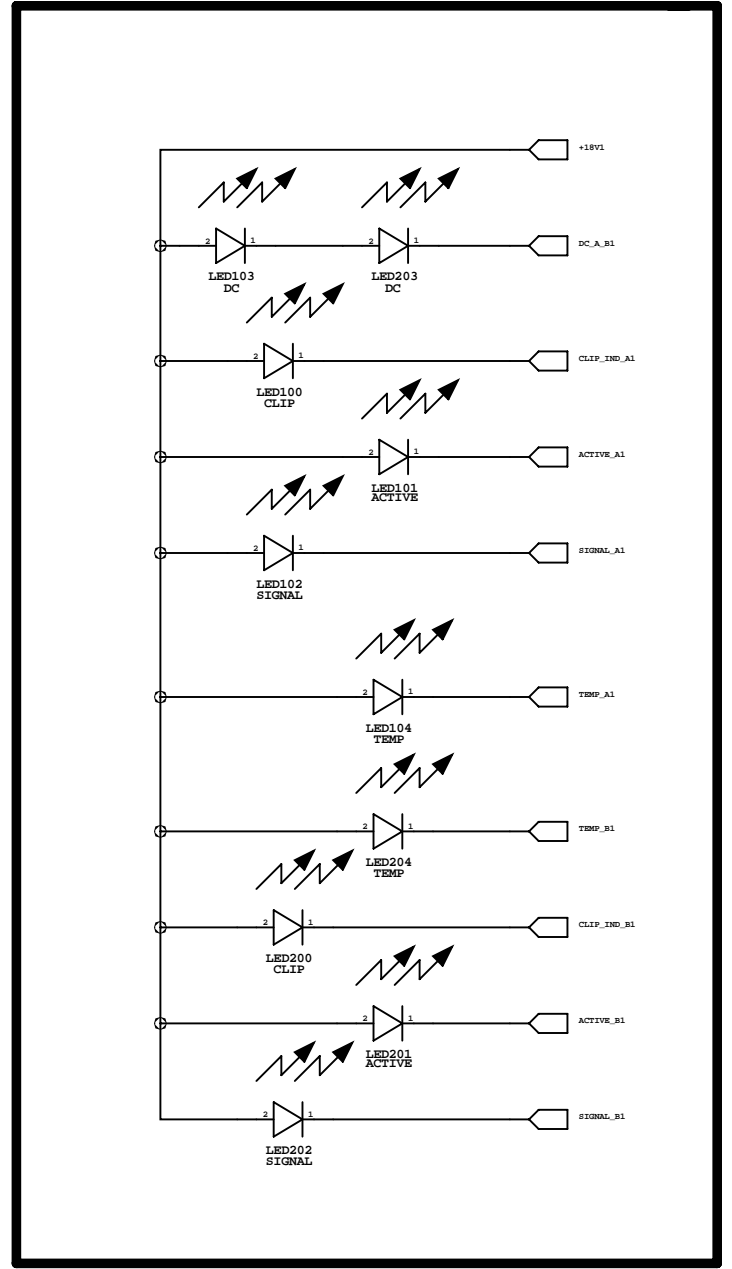
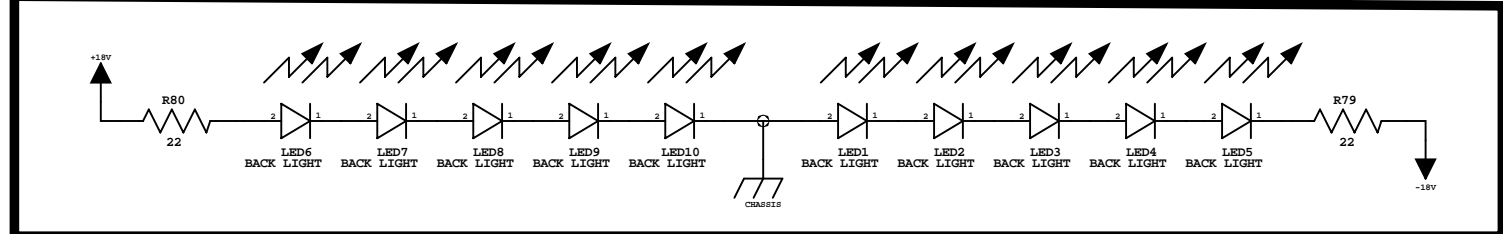
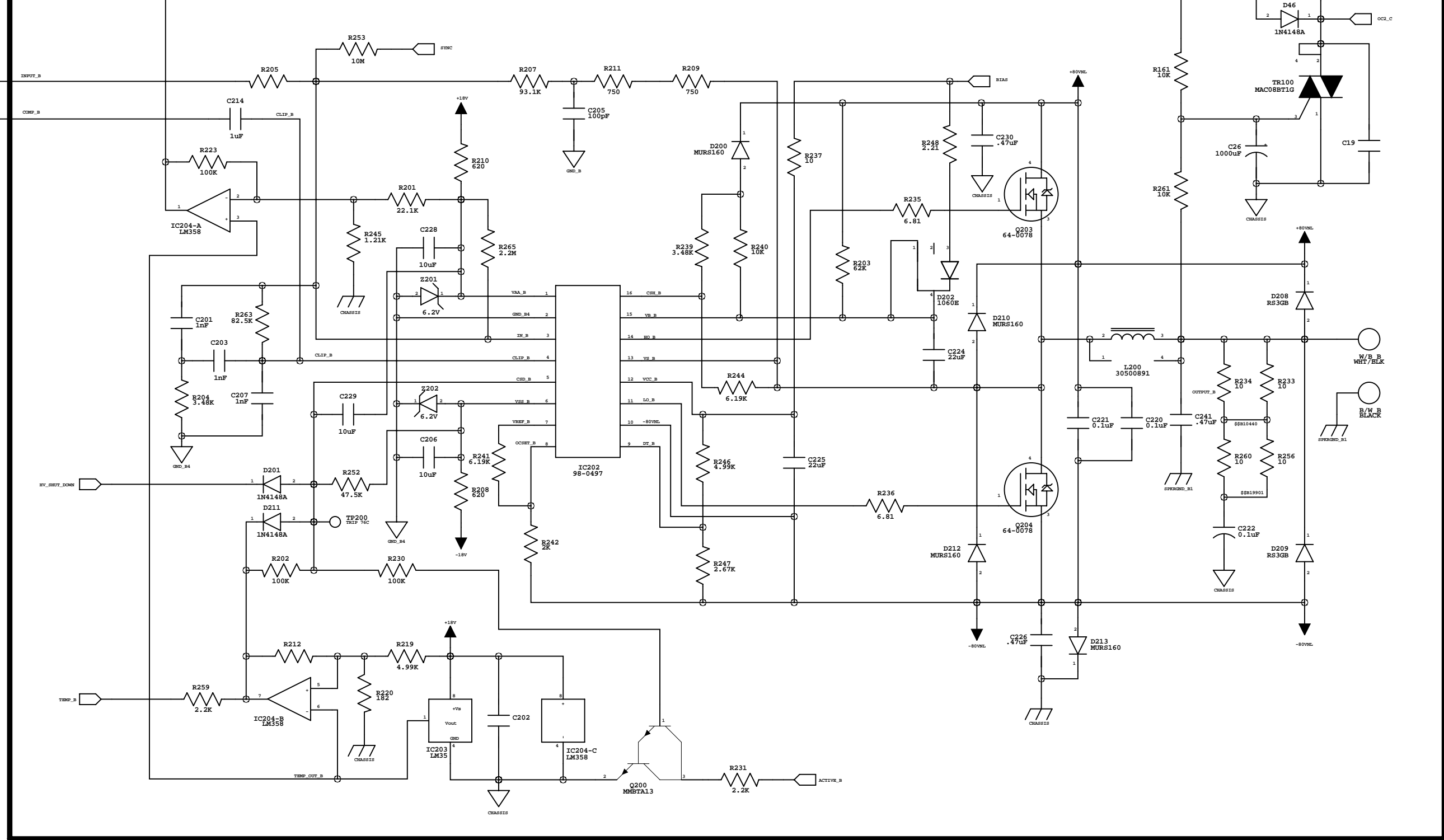
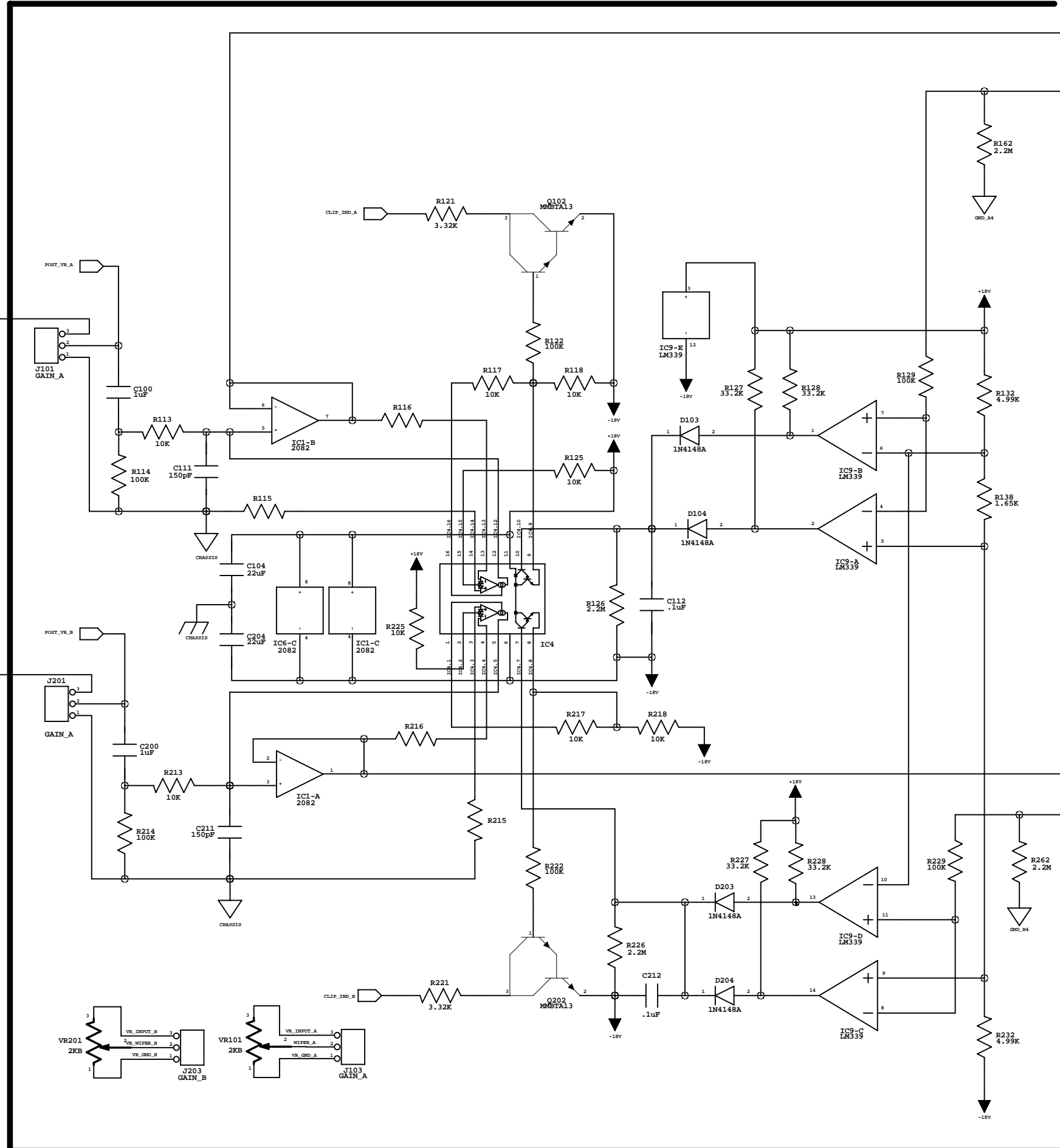
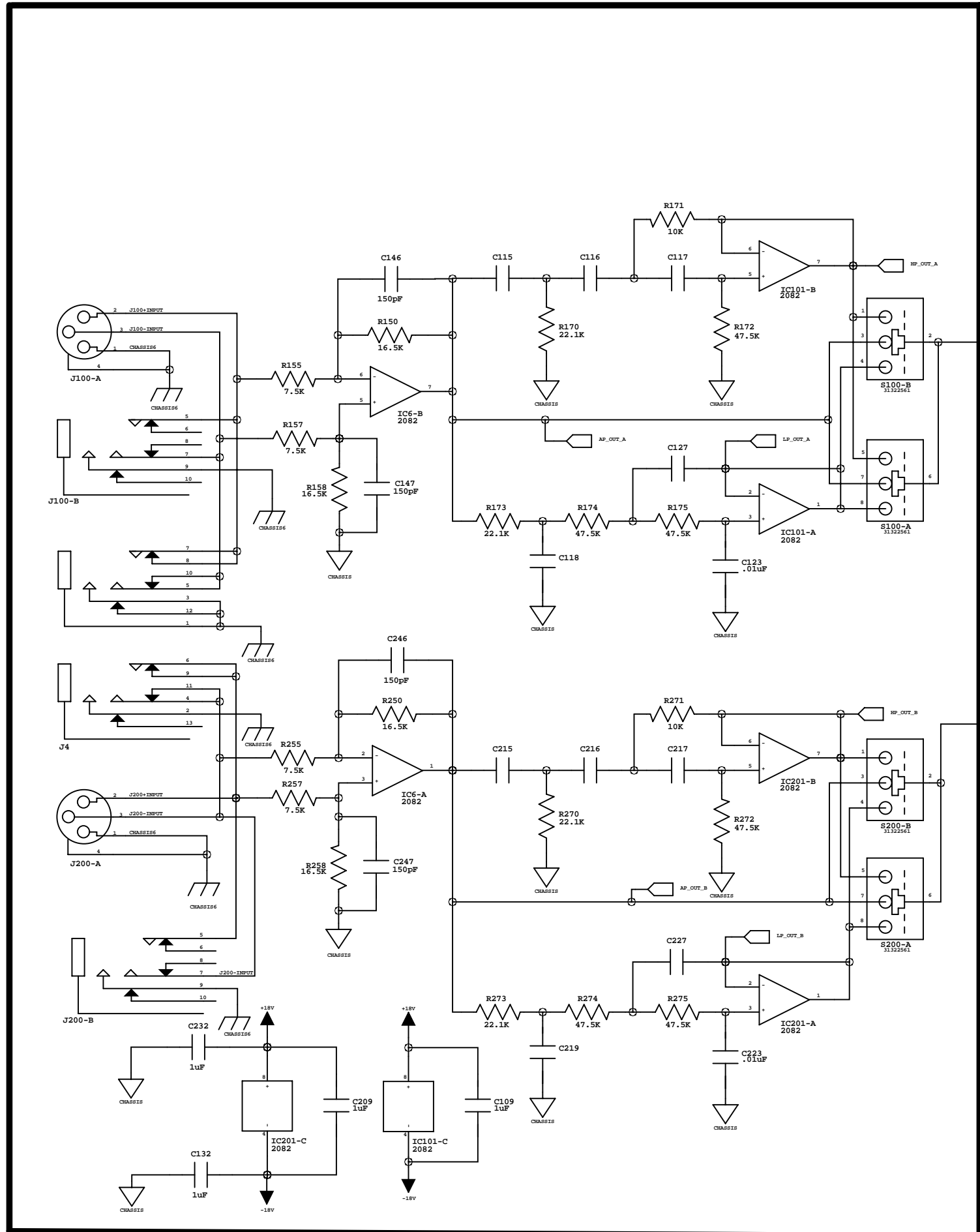
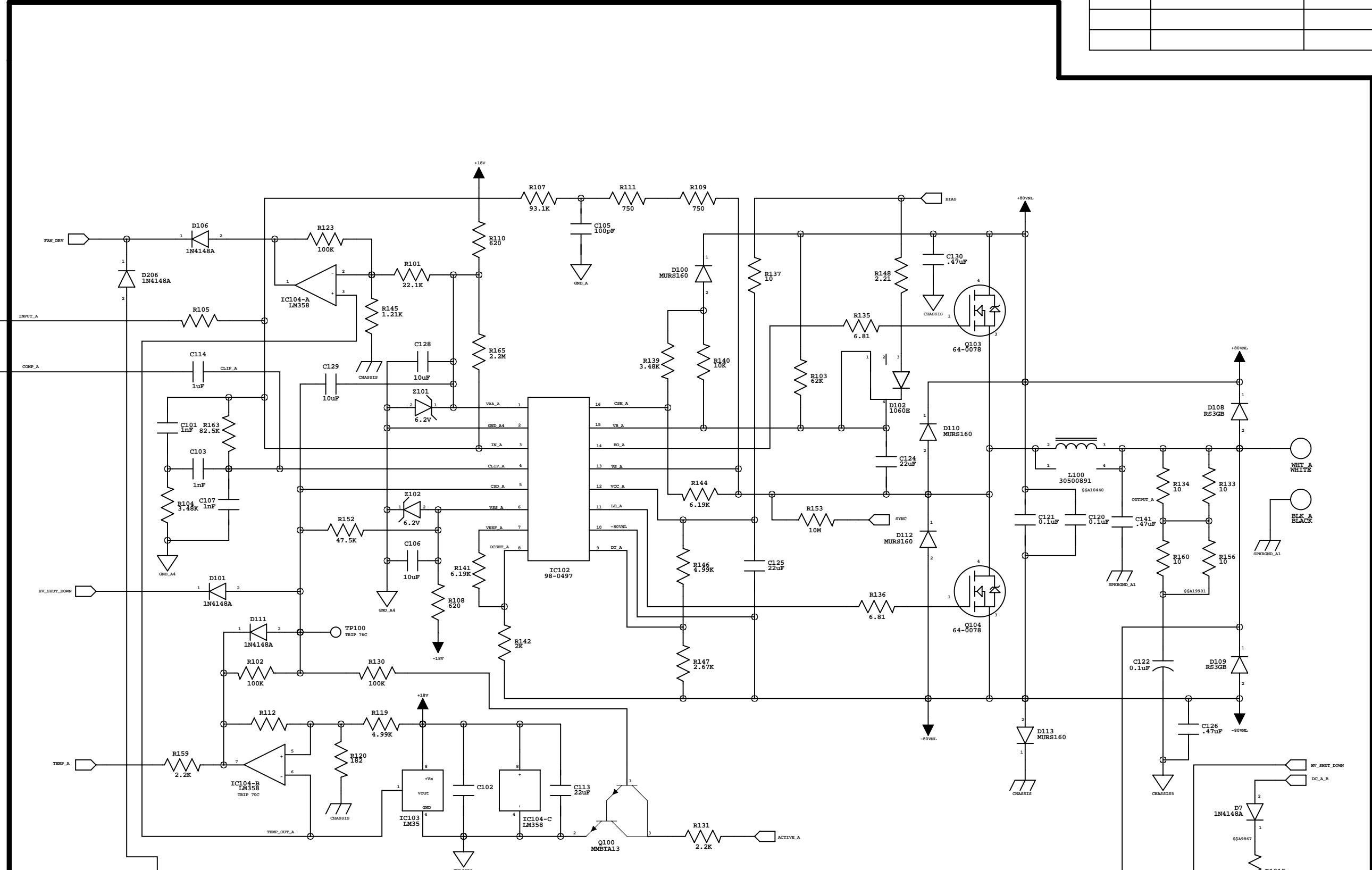
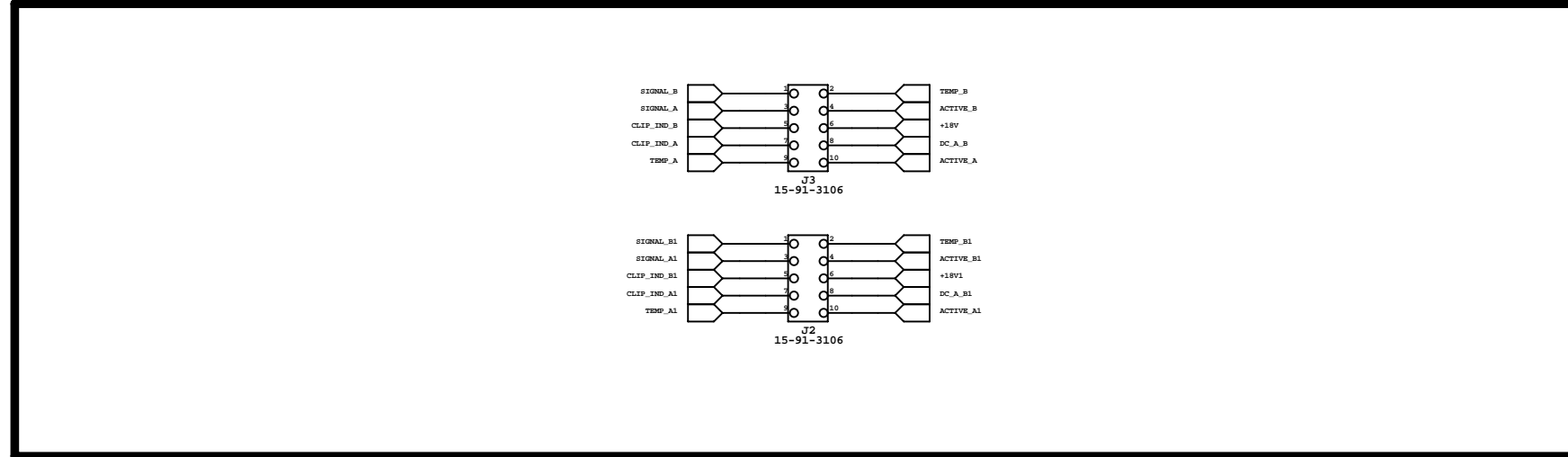
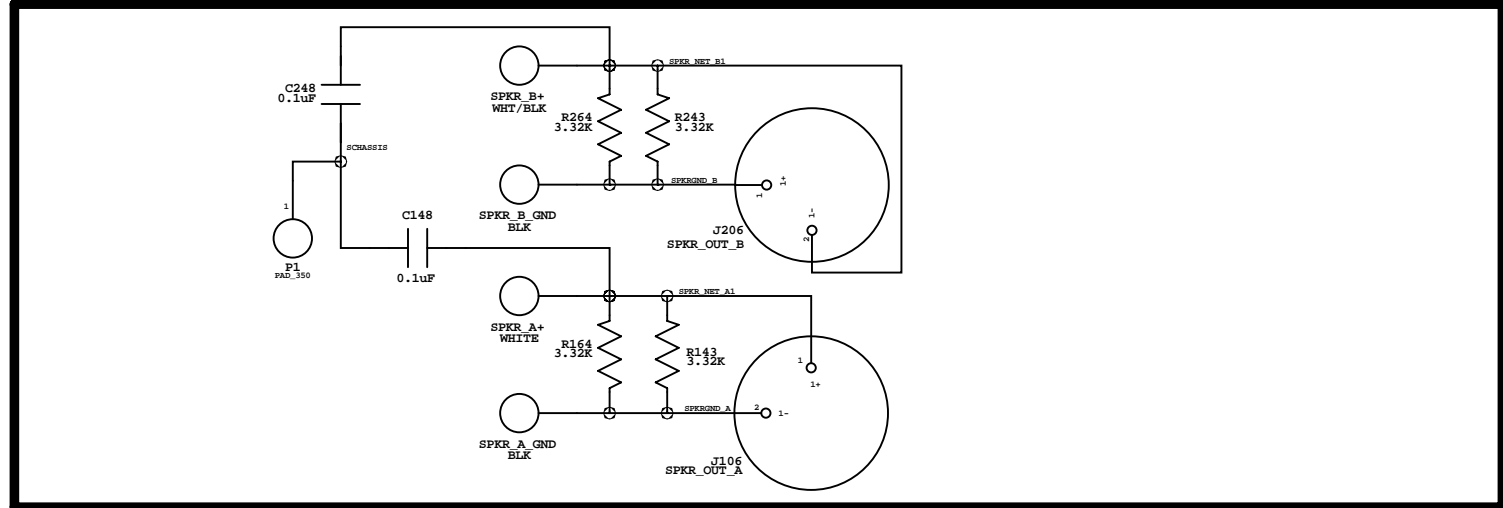
4

3

2

1

REV.	REV. NO.	APPROVED	DATE

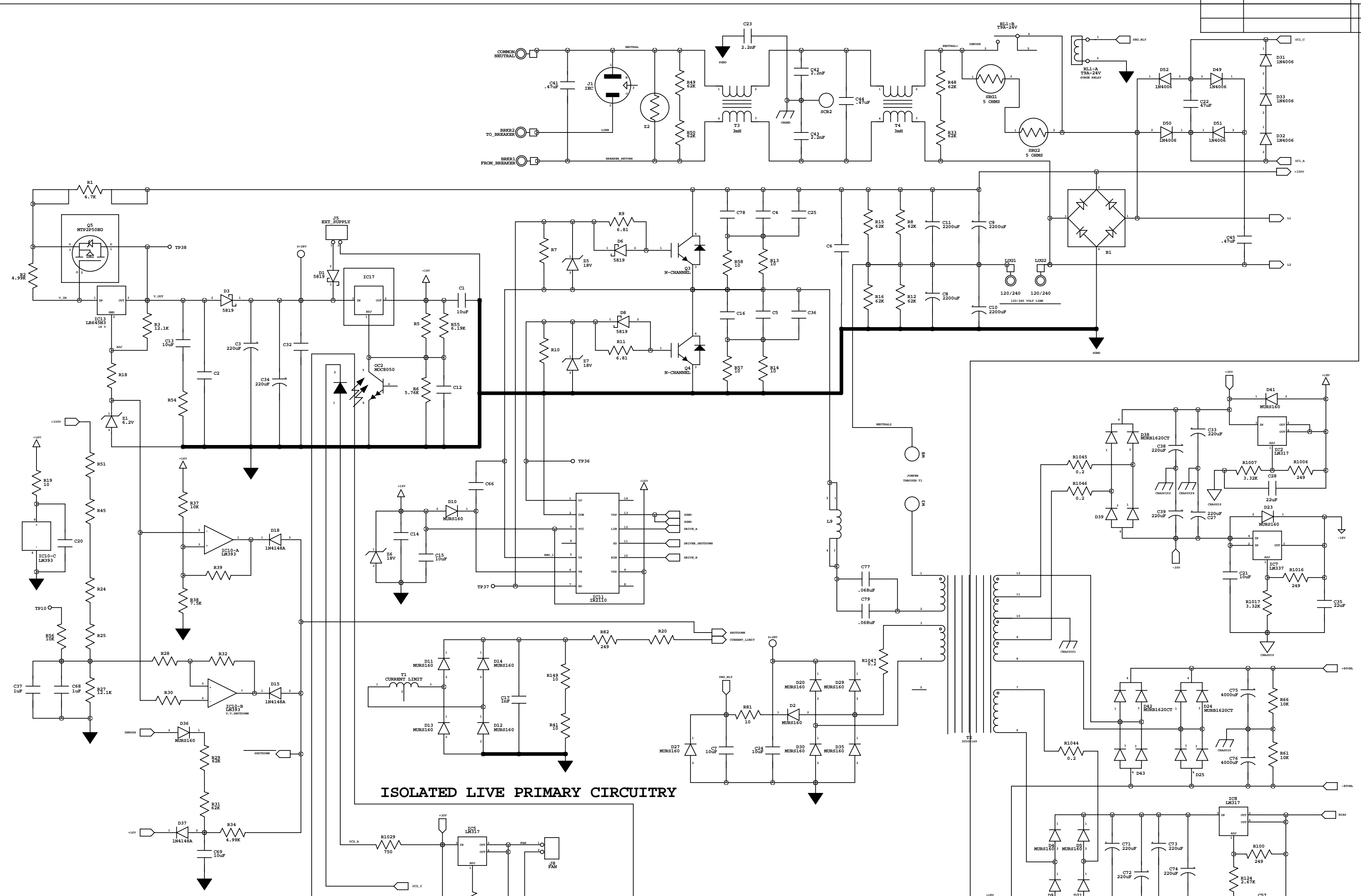
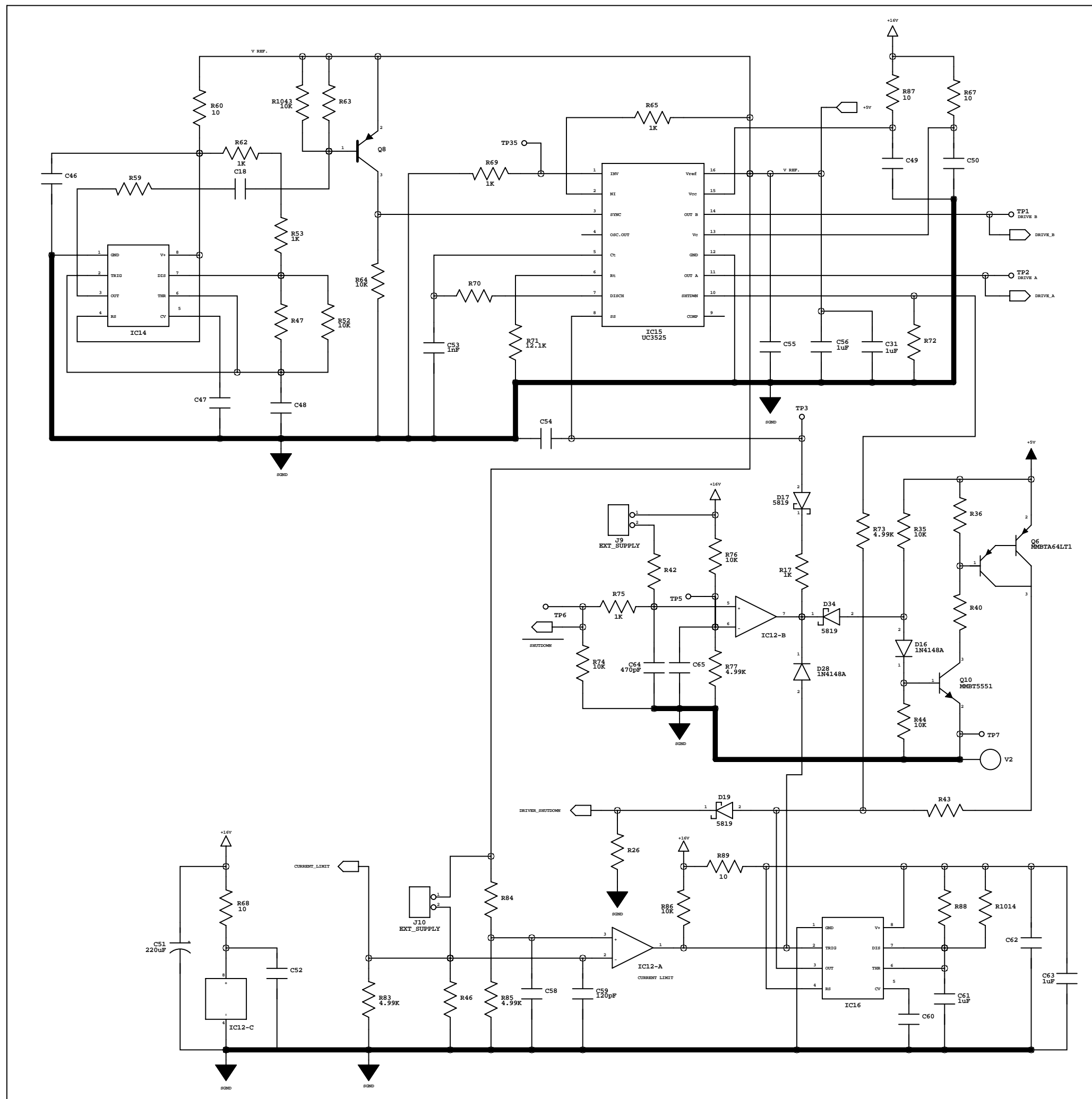


PEAVEY ELECTRONICS INC.

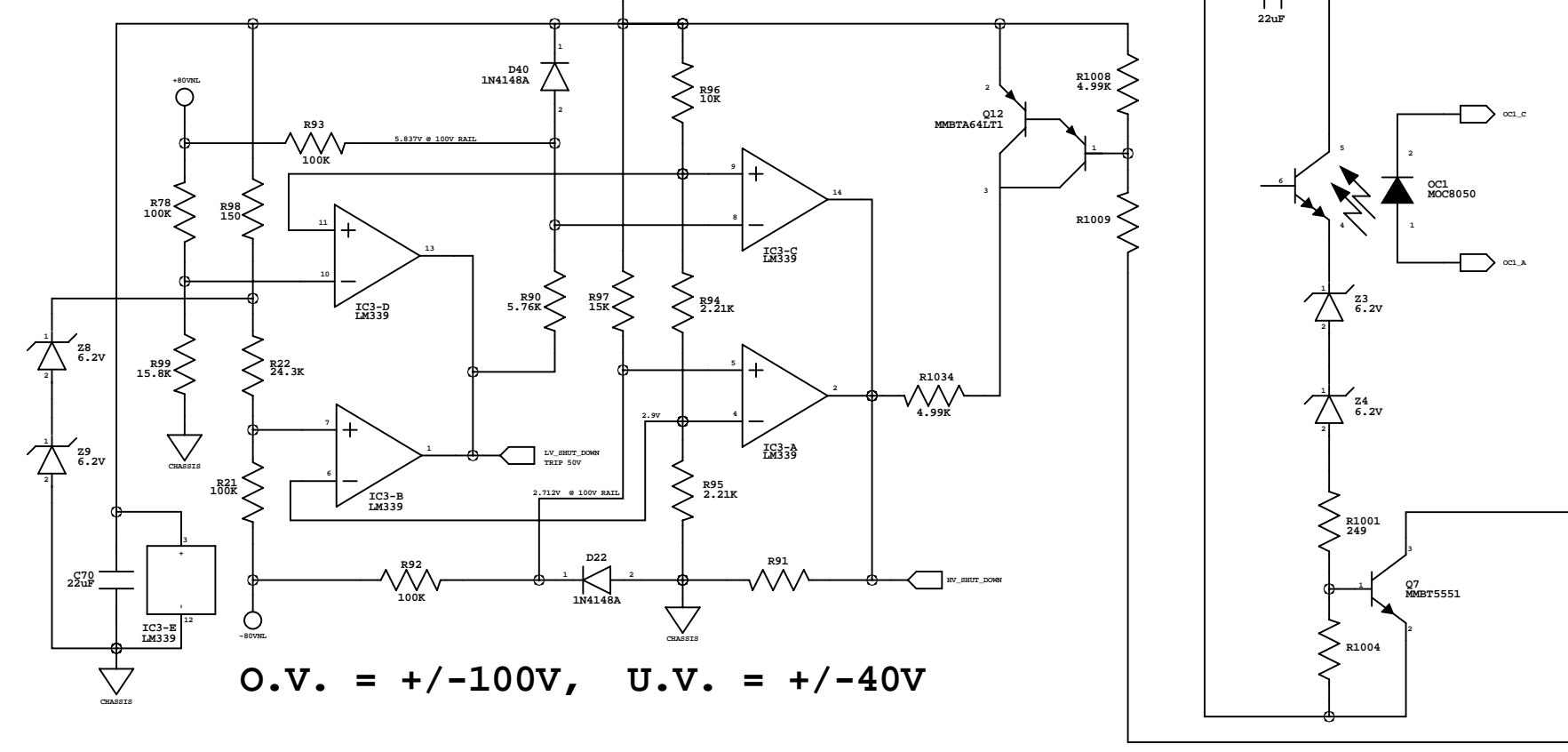
IPR1600 Amplifier

DESIGNED BY	jdb	DATE	11/08/11
DESIGNED BY		DATE	
DESIGNED BY		DATE	
DESIGNED BY		DATE	

E



ISOLATED LIVE PRIMARY CIRCUITRY



O.V. = +/-100V, U.V. = +/-40V

ECN22087:
 11/16/09 Changed R90 to 5.23K
 11/16/09 Changed R97 to 13.7K
 01/06/09 Changed Q3, Q4 from 30400260 to 30418876
 1/04/10 Changed vendor P/N for 33717261
 1/04/10 Changed vendor P/N for 30450878
 Changed 8 amp breaker to 9 amp

ECN22104:
 02/05/10 Changed Rxl5 & Rxl6 from 511 (30200161) to 10K (30200051)

ECN22299
 06/22/10, Changed C111, C146, C147, C211, C246, C247, from 30300111 47pF to 30300185 150pF.
 06/22/10, Changed C22 from 30300108 10uF to 30300317 47uF.
 06/22/10, Changed R90 from 30200252 5.23K to 30200564 5.76K.
 06/22/10, Changed R97 from 30200535 13.7K to 30200334 15K

03/28/11, Changed MOSFETs to display 64-0078PBF

ECN22777
 Changed D108, D109, D208, D209 from 30418272, ON Semi MURS160T3 to 30419246 RS3GB-13-F

PEAVEY ELECTRONICS INC.

IPR1600 Power Supply

DESIGN:	DATE:	REV:	APP:
CHECKED:	DATE:	REV:	APP:
QUALITY CONTROL:	DATE:	REV:	APP:
MANUFACTURE:	DATE:	REV:	APP:

D