

Do not install R2000
 Do not install C23 30330182
 Do not install R26 & R260 30200443
 Do not install C57 30320322
 Do not install C114A & C214A 30330148
 Do not install J100 & J200 33717254

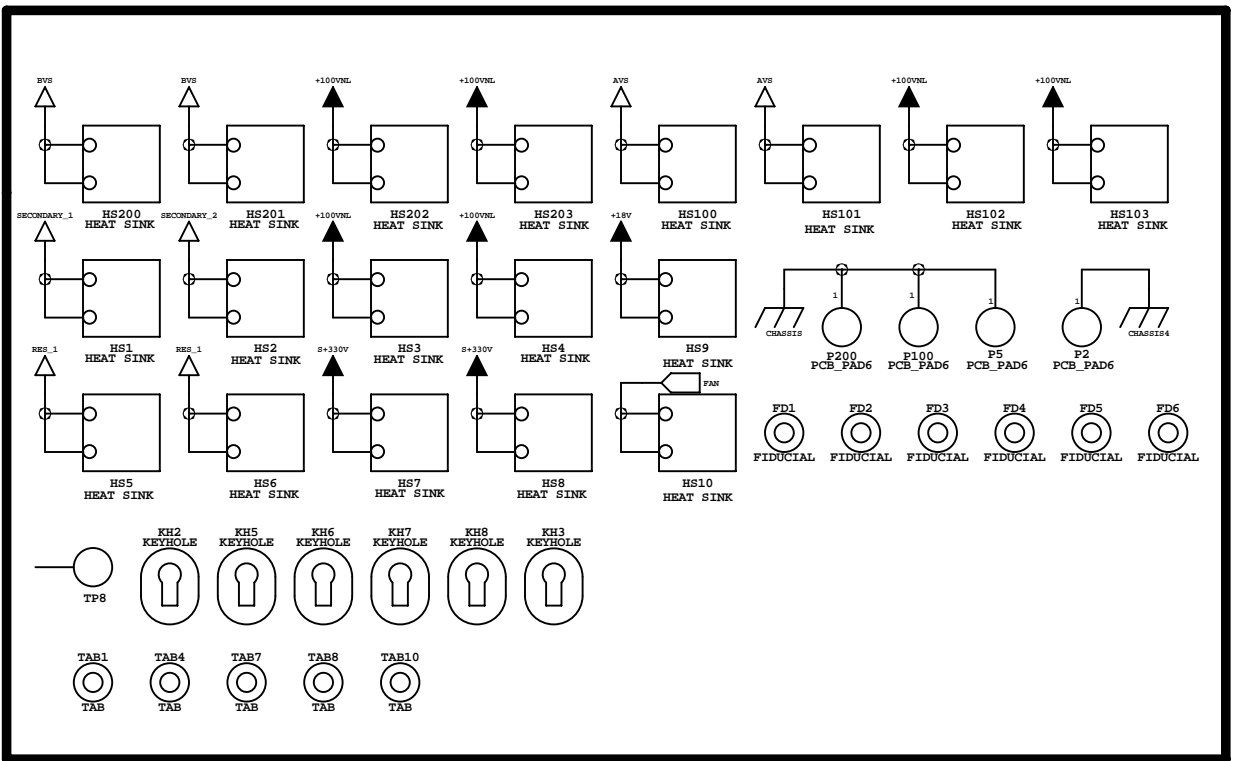
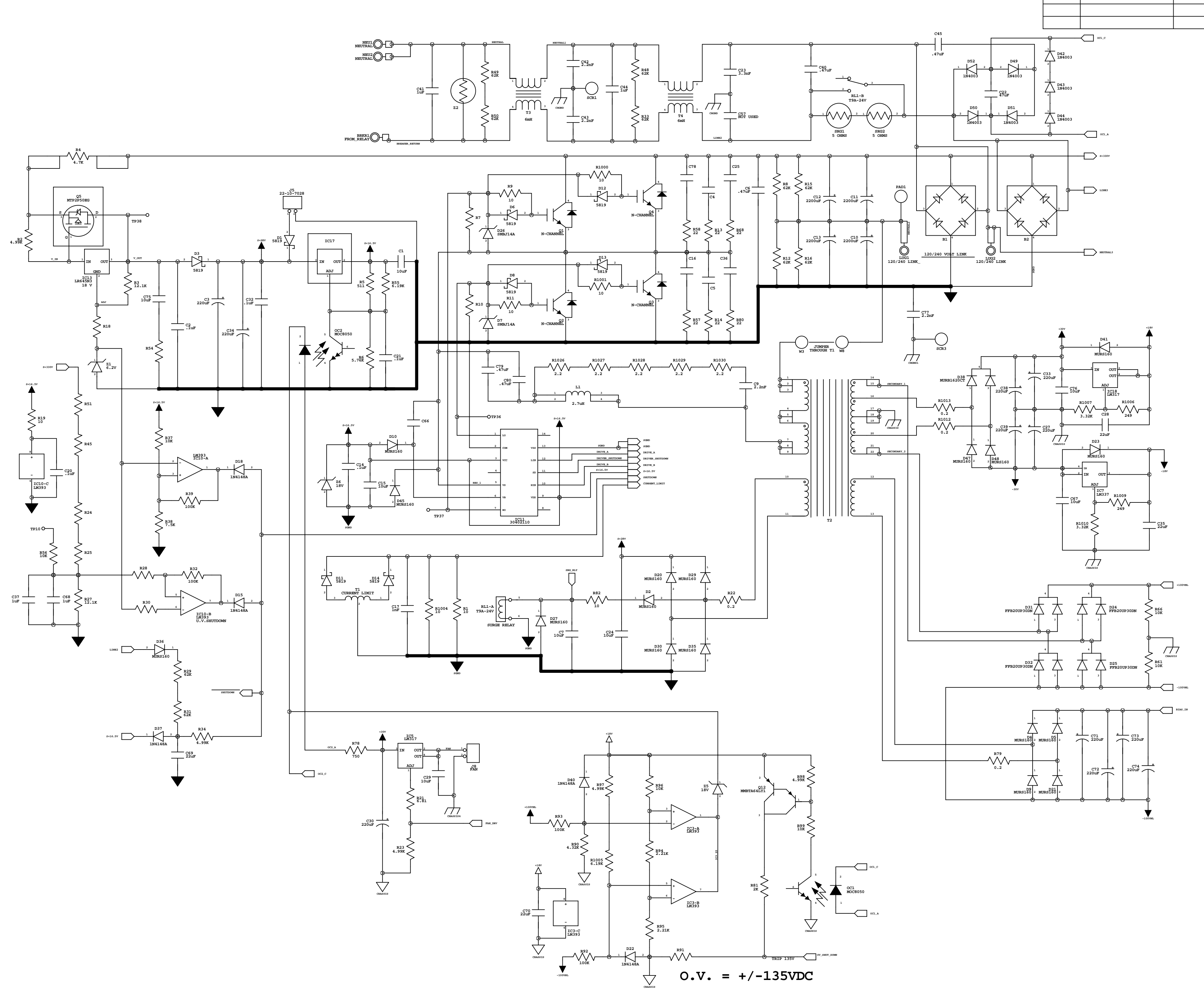
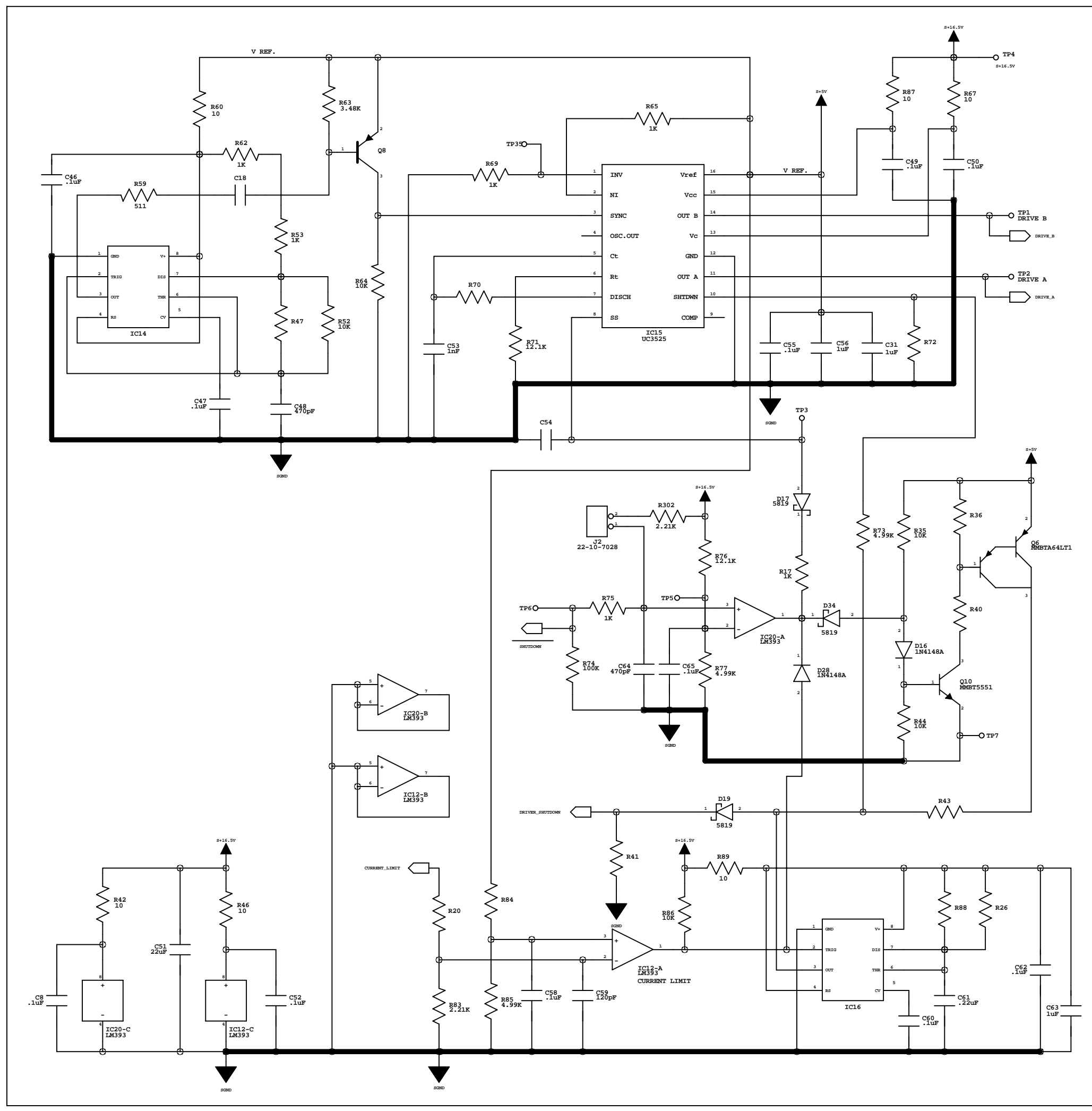
CREST AUDIO INC.

IPR 3000 DSP Amplifier Section

| | | | | | |
|-----------|----------|-------|------|-------------|------|
| DATE: | 11/07/11 | CODE: | ISS: | DRAWING NO: | REV: |
| CHECKED: | | | | | |
| DATE: | | | | | |
| RELEASED: | | | | | |
| DATE: | | | | | |

D

| REVISION RECORD | | | |
|-----------------|---------|-----------|-------|
| LTN | REV NO. | APPROVED: | DATE: |
| | | | |
| | | | |
| | | | |



CREST AUDIO INC.

TITLE:
IPR 3000 DSP Power Supply

| | | | | | |
|------------------|-------|-------|-------|--------------|-------|
| DESIGNER: | DATE: | CODE: | SIZE: | DRAWING NO.: | REV.: |
| CHECKED: | DATE: | D | | | |
| QUALITY CONTROL: | DATE: | | | | |
| RELEASED: | DATE: | | | | |

SHEET: 2 OF 2

| | |
|------------------|-------|
| DESIGNER: | DATE: |
| CHECKED: | DATE: |
| QUALITY CONTROL: | DATE: |
| RELEASED: | DATE: |

O.V. = +/-135VDC

ECN22735

06/07/11 Deleted R2000 30200174

ECN22777

07/22/11 Changed D101, D102, D201, D202 from 30418272 to 30419246

07/22/11 Changed Q105, Q107, Q205, Q207 from 30418774 to 30419245

07/22/11 Changed Q104, Q106, Q204, Q206 from 30418773 to 30419244

ECN22842

09/02/11 Changed D108, D109, D110, D111, D208, D209, D210 & D211 from 30418328 1N4148 to 30419248 1N5819HW

ECN22908

11/01/11 Changed C61 from 30300130 1uF to 30300069 .22uF

11/01/11 Changed R88 from 30200443 2.2 Meg to 30200338 5.62Meg

11/01/11 Changed R1014, R1015, R1016, & R1017 from 30200238 22 ohm to 30200388 150 ohm

11/01/11 Changed R74 from 30200174 10K to 30200194 100K