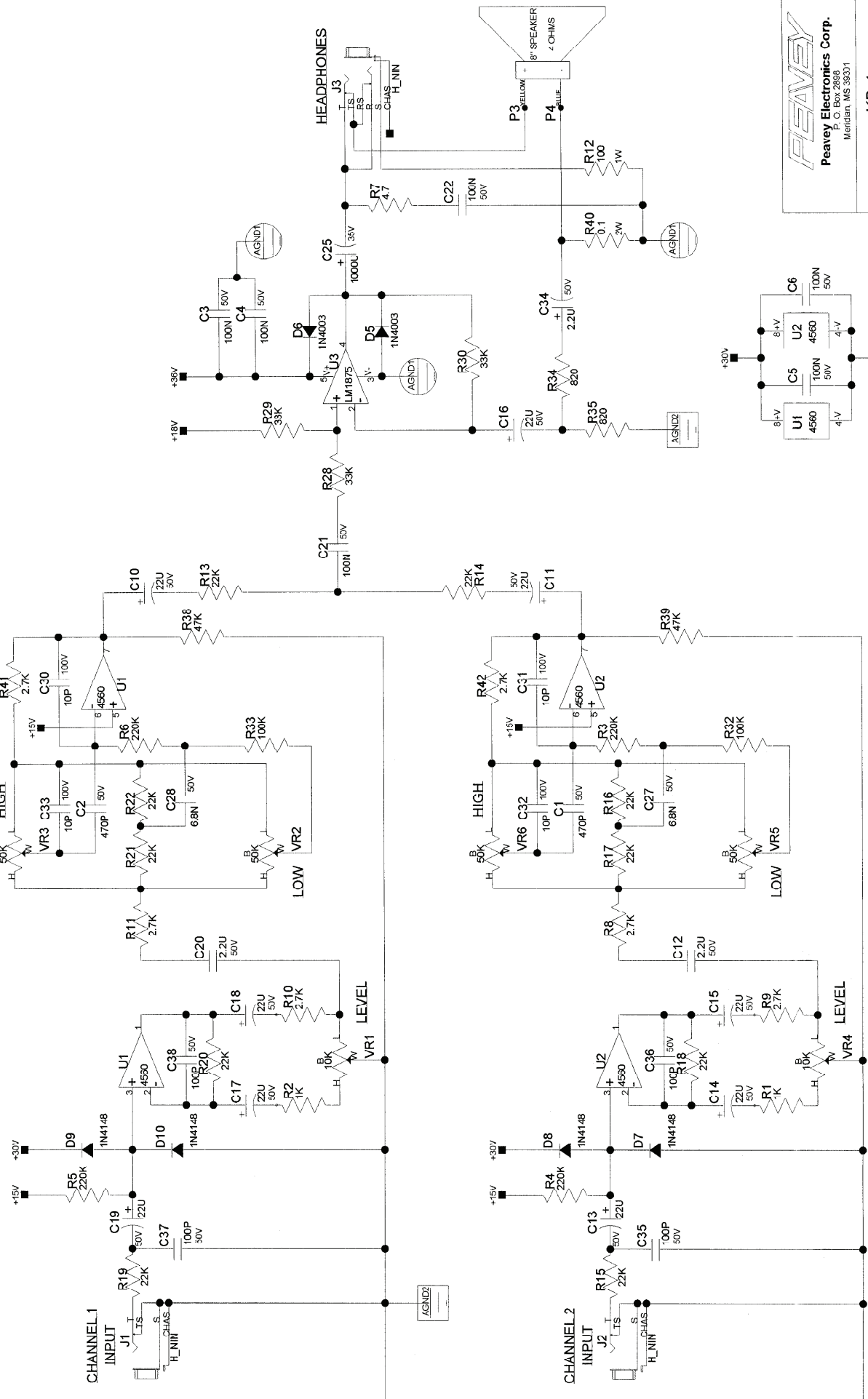




A B C D

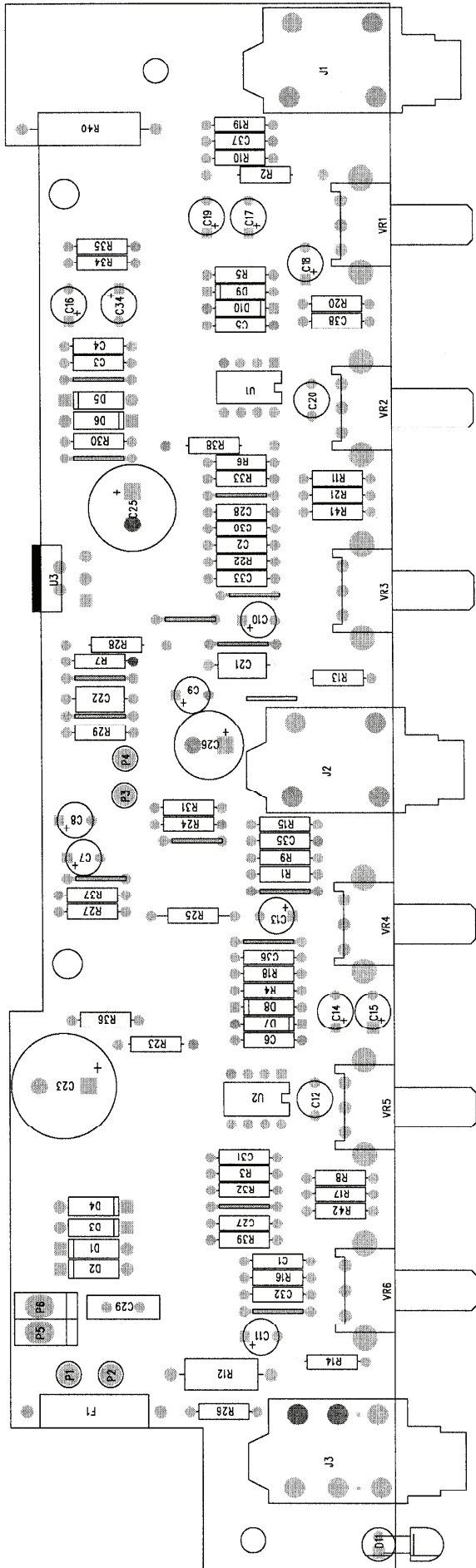


**PEAVEY**  
 Peavey Electronics Corp.  
 P. O. Box 2898  
 Meridian, MS 39331

Title: **KB-1**  
 Sheet Title: **PREAMP/ POWER AMP**  
 Eng. John C. REIS

Sheet 2 of 2 Date: 11-19-2002\_11:02

1 2 3 4



BILL OF MATERIAL REPORT  
-----

REPORT DATE/TIME: 11/18/2002 3:08:01 PM

BOARD NAME: KB1 MAIN BD ASSEMBLY LEVEL NUMBER: 99060120b

PROJECT NUMBER: P0100136 DESIGNER: GWG

Qty.	Part #	Description	Reference Designators
1	70210003	100 1W 5%MO AXL.	R12
1	70240002	4.7 1/4W 5% CF AXL	R7
2	70240017	1K 1/4W 5% CF AXL	R1 R2
3	70240019	820 1/4W 5% CF AXL	R25 R34 R35
6	70240021	2700 1/4W 5% CF AXL R41 R42	R8 R9 R10 R11
1	70240022	3300 1/4W 5% CF AXL	R26
10	70240029	22K 1/4W 5% CF AXL R17 R18 R19 R20 R21 R22	R13 R14 R15 R16
3	70240030	33K 1/4W 5% CF AXL	R28 R29 R30
4	70240031	47K 1/4W 5% CF AXL	R36 R37 R38 R39
3	70240033	82K 1/4W 5% CF AXL	R24 R27 R31
2	70240034	100K 1/4W 5% CF AXL	R32 R33
4	70240036	220K 1/4W 5% CF AXL	R3 R4 R5 R6
1	70240090	47 1/4W 5% FP AXL	R23
1	70241099	.1 2W 10% WW AXL	R40
1	70320180	2.2UF 50V 20% EL RAD	C34
12	70320181	22UF 50V 20% EL RAD C11 C13 C14 C15 C16 C17 C18 C19	C7 C8 C9 C10
2	70320184	2.2UF 50V 20% ELN RAD	C12 C20
1	70320186	1000UF 35V 20% EL RAD	C25
1	70320187	220UF 50V 20% EL RAD	C26
1	70320248	0.01UF 1000V 20% Z5U RAD	C29
1	70320319	2200UF 50V 20% EL RADH	C23
2	70340008	6800PF 50V 10% X7R AXL	C27 C28
4	70340050	10PF 100V 5% NPO AXL	C30 C31 C32 C33
4	70340054	100PF 50V 10% NPO AXL	C35 C36 C37 C38

2	70340058	470PF 50V 10% NPO AXL	C1 C2
4	70340100	0.1UF 50V 80-20% Z5U AXL	C3 C4 C5 C6
2	70340101	0.1UF 50V 10% X7R AXL	C21 C22
1	70401875	LM-1875 PWRAMP VER. MNT.	U3
2	70414560	4560 DUAL OPAMP DIP8	U1 U2
1	70450053	RED T1 LED W/STOP LEAD	D11
6	70464003	1N4003 200V 1A SI DIODE D5 D6	D1 D2 D3 D4
4	70464148	1N4148 75V 10MA DIODE	D7 D8 D9 D10
1	70901182	FUSE, 3A 250V 2AG T&R	F1
2	71190800	10KB SNGL 12MM HOR	VR1 VR4
4	71190801	50KB SNGL 12MM HOR	VR2 VR3 VR5 VR6
2	71466322	JACK, MONO R/A 1/4" 6.5MM NINS	J1 J2
1	71466323	JACK, STEREO R/A 1/4" 6.5MM NINS	J3
4	73713813	WR-TO-BD CRIMP TERM 18GA	P1 P2 P3 P4
2	73717003	1 STAKE PIN .045 .625 TIN	P5 P6
15	JUMPER	???????????????????????????? JMP5 JMP6 JMP7 JMP8 JMP9 JMP10 JMP11 JMP12 JMP13 JMP14 JMP15	JMP1 JMP2 JMP3 JMP4

-----  
 END OF BILL OF MATERIAL REPORT  
 -----