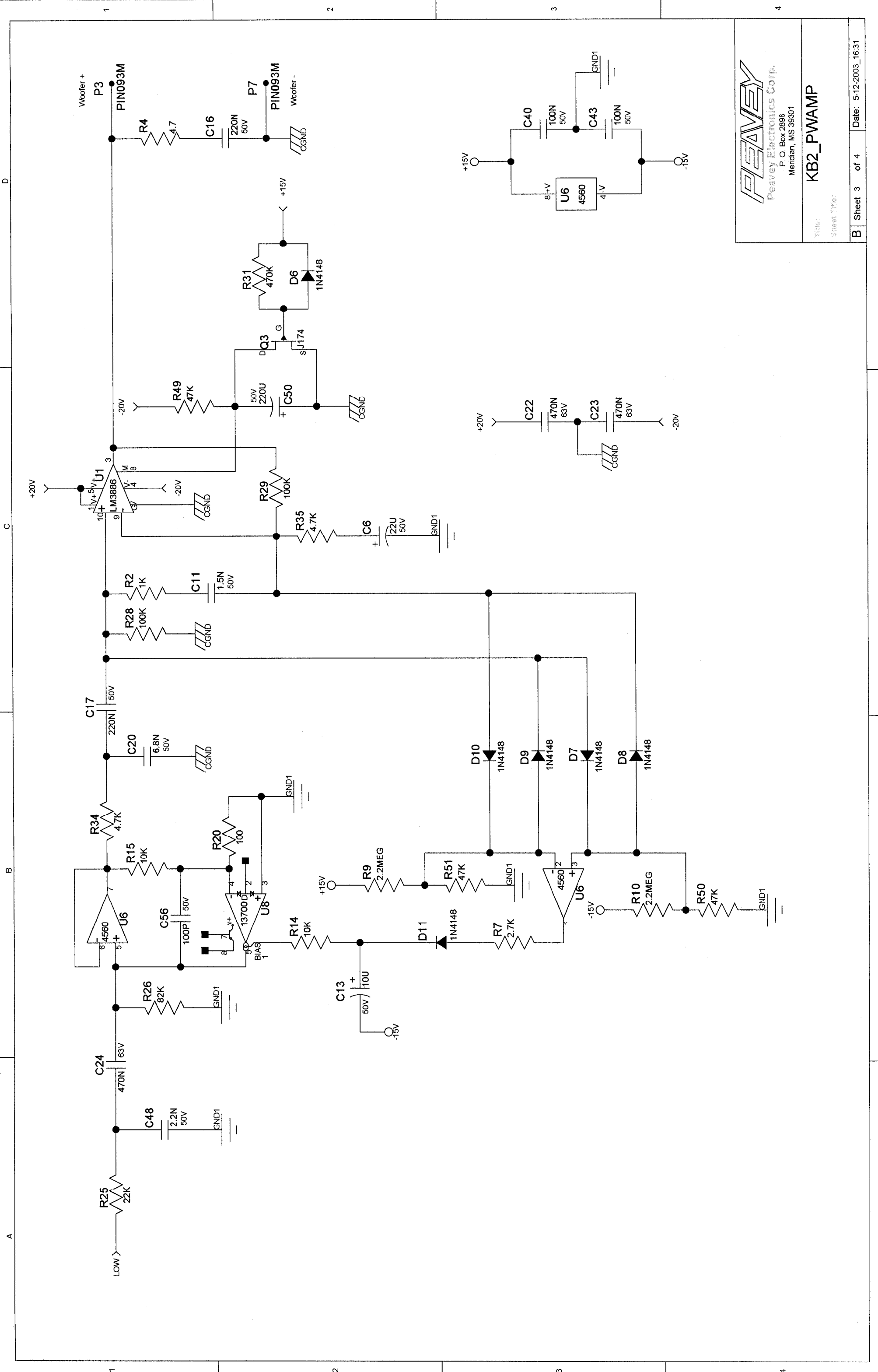


PEAVEY
 Peavey Electronics Corp.
 P. O. Box 2898
 Meridian, MS 39301

KB2_PWAMP

Title:
 Sheet Title:

Sheet 2 of 4 Date: 5-13-2003_1406

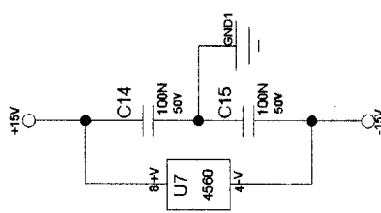
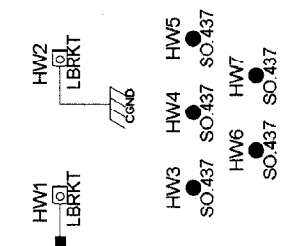
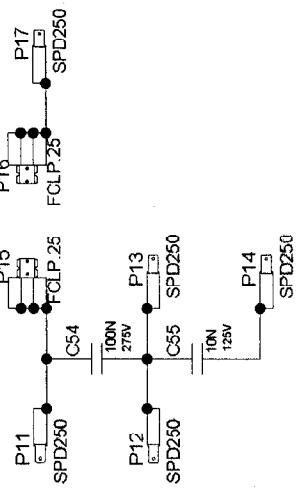
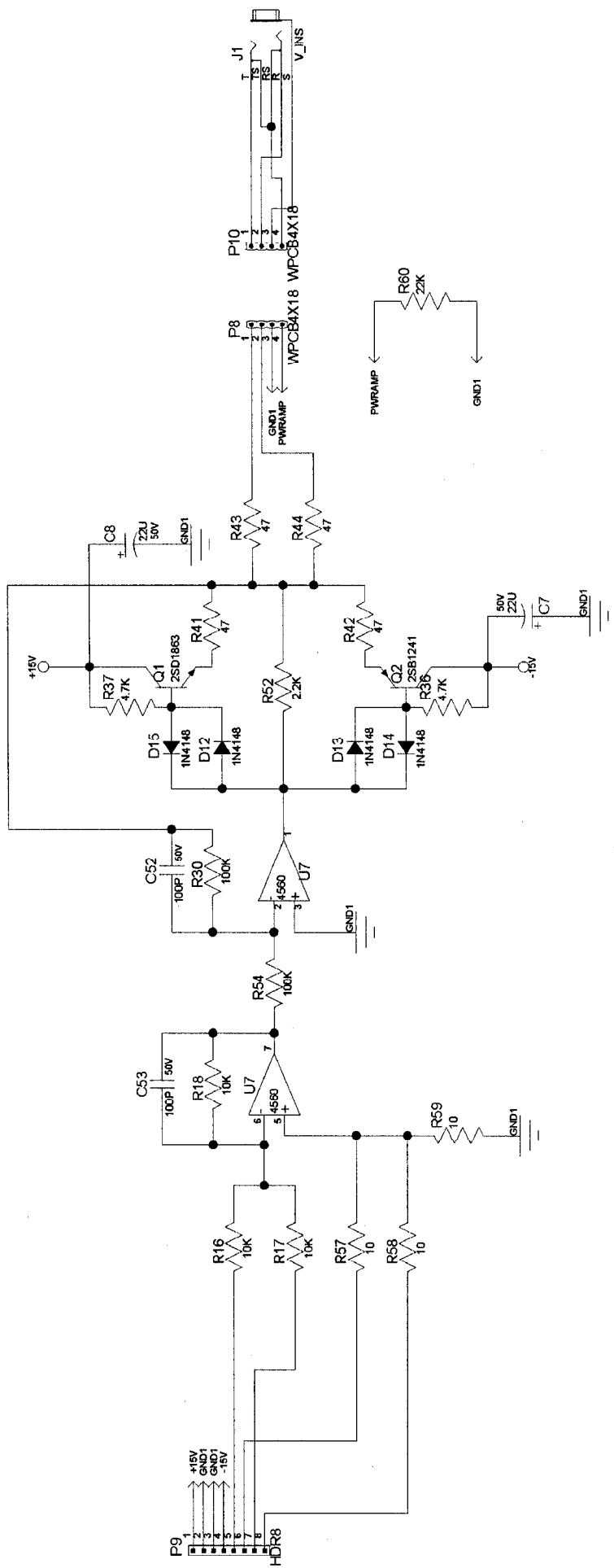


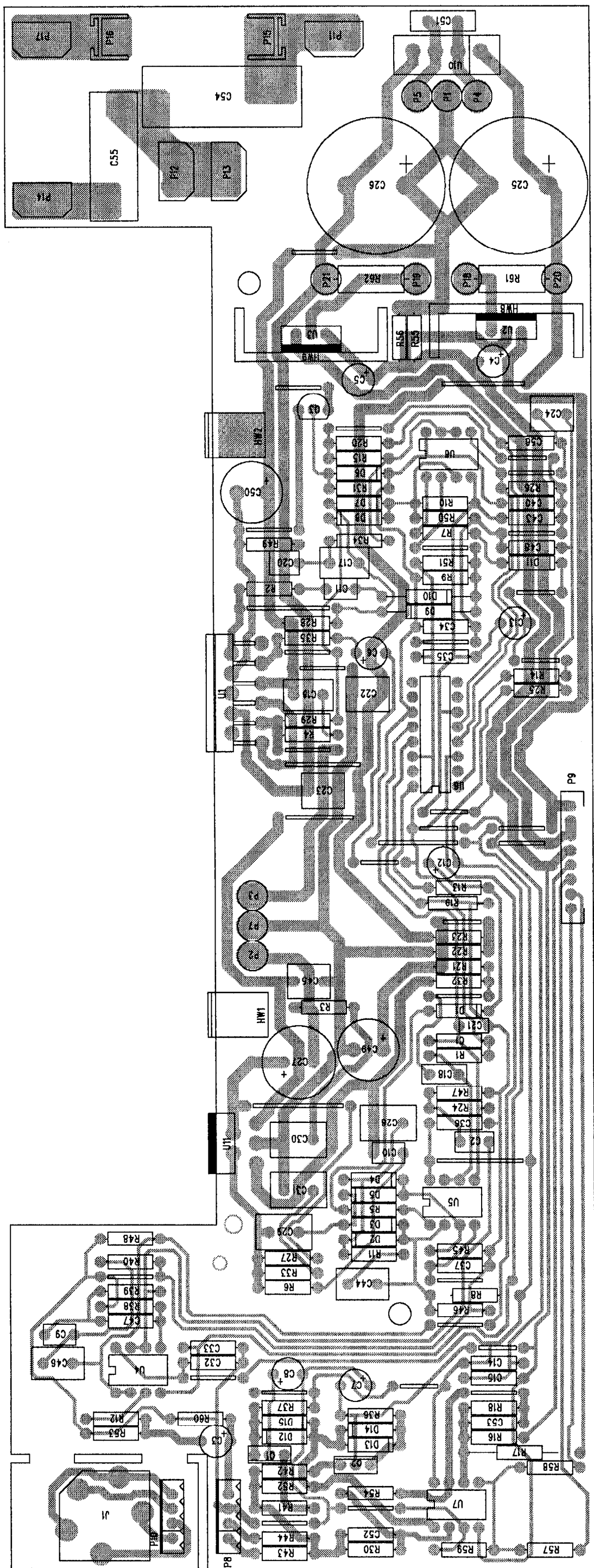
PEAVEY
 Peavey Electronics Corp.
 P. O. Box 2898
 Meridian, MS 39301

KB2_PWAMP

Title:
 Sheet Title:

Sheet 3 of 4 Date: 5-12-2003_16:31





BILL OF MATERIAL REPORT

REPORT DATE/TIME: 5/9/2003 8:48:44 AM

BOARD NAME: KB2 Power Amp

ASSEMBLY LEVEL NUMBER: 99060131

PROJECT NUMBER: P0100137

DESIGNER: EC

Qty.	Part #	Description	Reference Designators

2	70210012	150 1W 10% MO AXL	R61 R62
2	70240002	4.7 1/4W 5% CF AXL	R3 R4
3	70240003	10 1/4W 5% CF AXL	R57 R58 R59
4	70240008	47 1/4W 5% CF AXL	R41 R42 R43 R44
2	70240010	100 1/4W 5% CF AXL	R19 R20
2	70240017	1K 1/4W 5% CF AXL	R1 R2
1	70240020	2200 1/4W 5% CF AXL	R52
3	70240021	2700 1/4W 5% CF AXL	R5 R6 R7
6	70240023	4700 1/4W 5% CF AXL	R32 R33 R34 R35 R36 R37
7	70240025	10K 1/4W 5% CF AXL	R12 R13 R14 R15 R16 R17 R18
1	70240027	15K 1/4W 5% CF AXL	R40
6	70240029	22K 1/4W 5% CF AXL	R21 R22 R23 R24 R25 R60
7	70240031	47K 1/4W 5% CF AXL	R45 R46 R47 R48 R49 R50 R51
1	70240033	82K 1/4W 5% CF AXL	R26
5	70240034	100K 1/4W 5% CF AXL	R27 R28 R29 R30 R54
1	70240038	470K 1/4W 5% CF AXL	R31
1	70240039	1M 1/4W 5% CF AXL	R53
3	70240040	2.2M 1/4W 5% CF AXL	R8 R9 R10

1	70240135	165K	1/4W	1%	MF	AXL		R11
2	70240148	0	1/4W	0%	MF	AXL		R55 R56
2	70241068	48.7K	1/4W	1%	MF	AXL		R38 R39
1	70320104	0.01UF	125V-20%	"X"		RADH		C55
6	70320181	22UF	50V 20%	EL		RAD		C3 C4 C5 C6 C7 C8
2	70320185	10UF	50V 20%	ELL		RAD		C12 C13
2	70320187	220UF	50V 20%	EL		RAD		C49 C50
1	70320248	0.01UF	1000V 20%	Z5U		RAD		C51
2	70320260	4700UF	50V 20%	EL		SNPH		C25 C26
1	70320298	0.1UF	250V 20%	"X"		RADH		C54
1	70320323	330UF	63V 20%	ELS		RADH		C27
1	70330113	0.1UF	100V 10%	PPS		RAD		C18
1	70330114	0.22UF	100V 5%	PES		RAD		C45
1	70330116	4700PF	50V 5%	PE		RADH		C2
1	70330117	6800PF	50V 5%	PE		RAD		C20
3	70330120	1500PF	50V 5%	PE		RAD		C9 C10 C11
1	70330121	180PF	50V 5%	NPO		RAD		C21
2	70330128	0.22UF	50V 5%	PE		RAD		C16 C17
4	70330129	0.1UF	50V 5%	PE		RAD		C28 C29 C30 C31
1	70330141	0.033UF	50V 2%	PP		RAD		C46
1	70330152	330PF	100V 5%	PS		RAD		C44
3	70330159	0.47UF	63V 5%	PES		RAD		C22 C23 C24
2	70340004	2200PF	50V 10%	X7R		AXL		C47 C48
3	70340054	100PF	50V 10%	NPO		AXL		C52 C53 C56
1	70340066	27PF	50V 10%	NPO		AXL		C1
10	70340100	0.1UF	50V 80-20%	Z5U		AXL		C14 C15 C32 C33 C34 C35 C36 C37 C40 C43
1	70400081	BR RECT	100V-2A					U10

1	70400318	7815F +15V INSUL TO-220F	U2
1	70400319	7915 -15V INSUL TO-220F	U3
1	70401875	LM-1875 PWRAMP VER. MNT.	U11
1	70403886	LM3886 68W AUDIO PWR AMP W/MUT	U1
1	70405517	NE5517AN DUAL OTA	U8
4	70414560	4560 DUAL OPAMP DIP8	U4 U5 U6 U7
1	70421332	2SB1241, PNP, 1A, 80V RAD	Q2
1	70422008	2SD1863, NPN, 1A, 80V RAD	Q1
1	70460174	J174 JFET P 30V TO92 RAD	Q3
15	70464148	1N4148 75V 10MA DIODE	D1 D2 D3 D4 D5 D6 D7 D8 D9 D10 D11 D12 D13 D14 D15
2	70600555	4C 2.5MM WPCB WPCB 18"	P8 P10
2	70901183	FUSECLIP, PC MT RAD	P15 P16
5	70901891	STND .437 T4-40, SW, AL	HW3 HW4 HW5 HW6 HW7
1	71466216	STEREO HID JACK INSU W/SP	J1
2	71500238	LBRACKET #741 T4-40	HW1 HW2
2	73711811	PIN-F .093 MOLEX PC-MNT	P1 P2
8	73711812	PIN-M .093 MOLEX PC-MNT	P3 P4 P5 P7 P18 P19 P20 P21
5	73716194	SPADE .250 PC MNT .093	P11 P12 P13 P14 P17
1	73717194	8 HDR V JST-EHR 2.5MM TIN	P9
2	98002522	3/8IN. HEATSINK PUNCHED	HW8 HW9
38	JUMPER	????????????????????????????????	JMP1 JMP2 JMP4 JMP5 JMP6 JMP7 JMP8 JMP9 JMP10 JMP11 JMP12 JMP13 JMP14 JMP15 JMP16 JMP17 JMP18 JMP19 JMP20 JMP21 JMP22 JMP23 JMP24 JMP25 JMP26 JMP27 JMP28 JMP29 JMP30 JMP31 JMP32 JMP33