

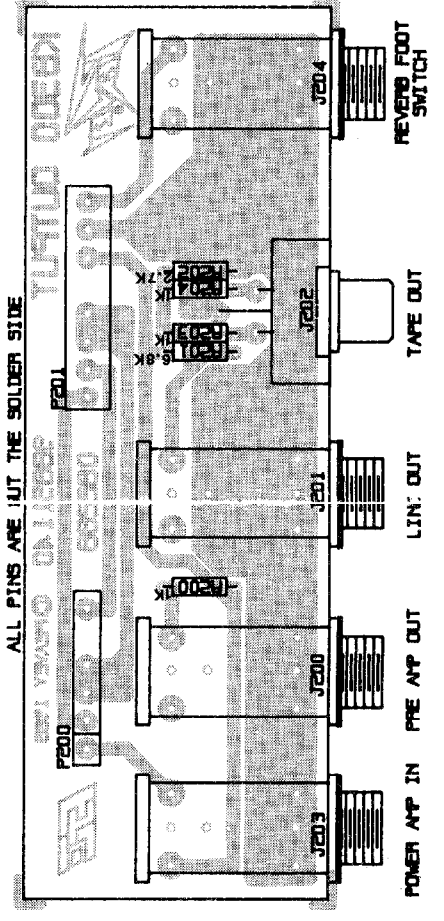
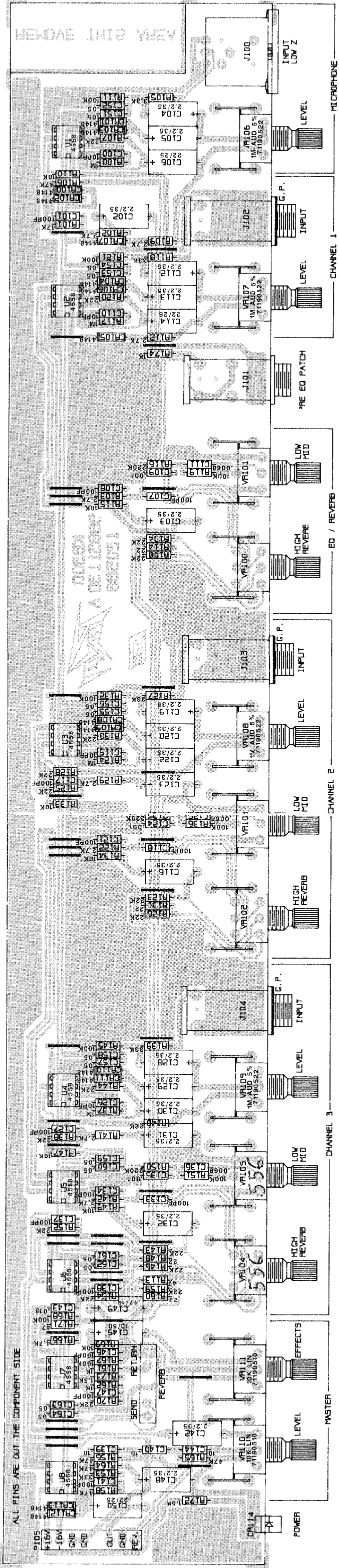
KB300

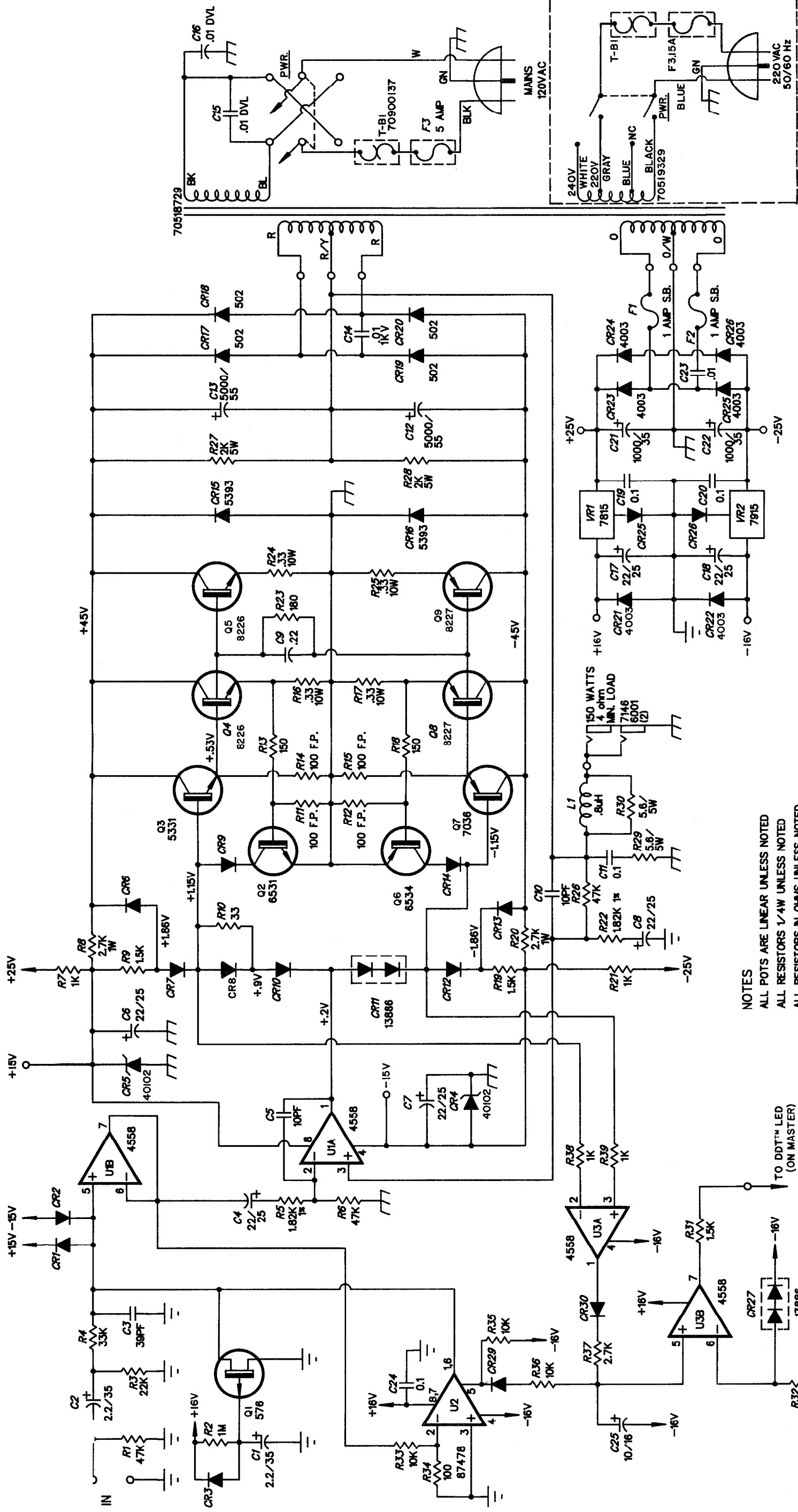
PREAMP BD. #98851130A (12-05-88)
 OUTPUT BD. #98851140 (8-22-88)

PEAVEY ELECTRONICS CORP.
 111 A ST. N.
 WARRIDIAN
 DATE 12-11-87
 DRAWN BY [Signature]
 C.B. CK. [Signature]
 OK. BY [Signature]
 APPR. BY [Signature]

P/N 81501400

COPYRIGHT 1988 PEAVEY ELECTRONICS CORP. PRINTED IN U.S.A.





300 CH™ MODULE
 BD.# 98830040 (4/10/85)

- NOTES
- ALL POTS ARE LINEAR UNLESS NOTED
 - ALL RESISTORS 1/4W UNLESS NOTED
 - ALL RESISTORS IN OHMS UNLESS NOTED
 - ALL CAPACITORS IN MFD UNLESS NOTED
 - ALL DIODES M4148 UNLESS NOTED
 - LAST REF. DESIGNATOR USED:
 - R32 CR26 C21 Q9 F3 L1

PEAVEY® ELECTRONICS CORP.
 MERIDIAN, MS

DRAWN BY *AB* DATE 9/17/84
 C.B. CK. *AB*
 CK. BY *AB*
 APPR. BY *AB*

