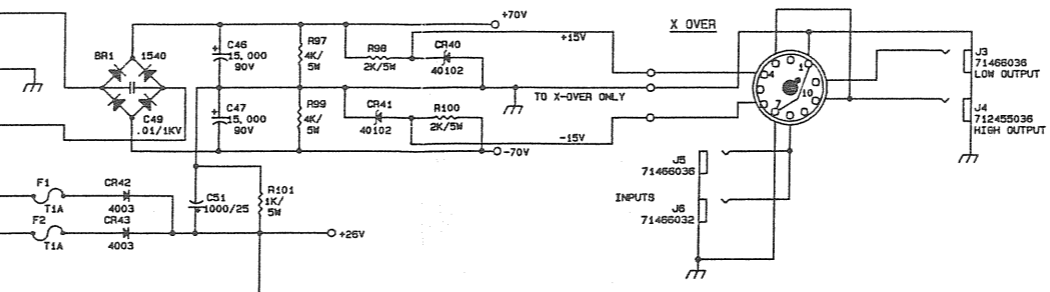
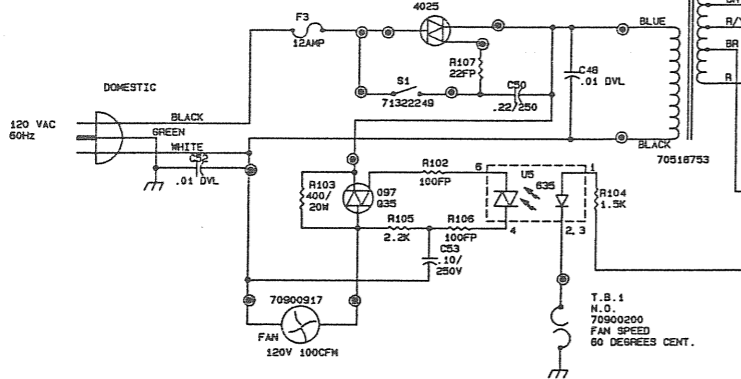
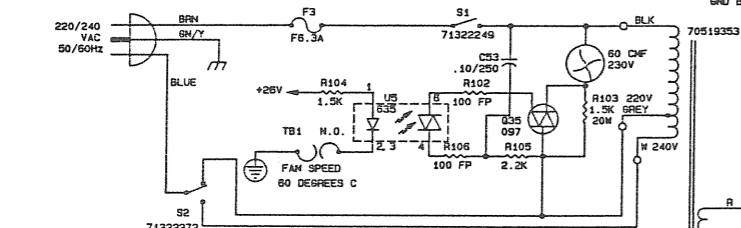
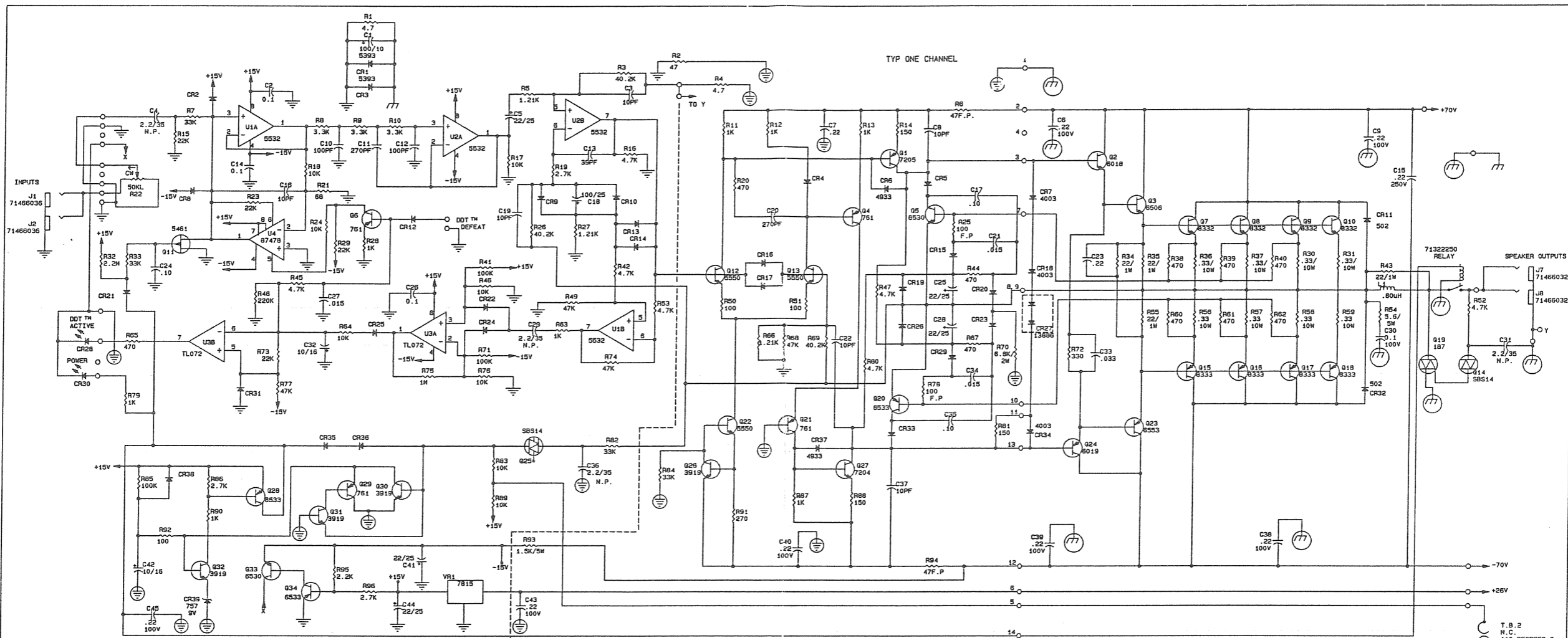


M-7000



NOTES:
 ALL RESISTORS 1/4W UNLESS NOTED
 ALL RESISTORS IN OHMS UNLESS NOTED
 ALL POTS ARE LINEAR UNLESS NOTED
 ALL CAPACITORS IN MFD UNLESS NOTED
 ALL DIODES 1N4148 UNLESS NOTED
 VOLTAGES MAY VARY FROM UNIT TO UNIT
 LAST REFERENCE DESIGNATOR USED.
 R106 CS3 CR43 US
 BUILT UNDER U.S. PATENT NOS.
 4,318,053 AND 4,348,789

I.C. CROSS REFERENCE LIST

- TL072- 70400072
- 633A- 70400535
- 5532- 70405532
- 8747B- 70487478

TRANSISTOR CROSS REFERENCE LIST

- SBS14- 70400014 5530- 70406530
- 097- 70400097 5533- 70406533
- 751- 70400751 5506- 70406506
- 3919- 70403919 5553- 70406553
- 5481- 70405481 7204- 70407204
- 5550- 70405550 7205- 70407205
- 6018- 70406018 8332- 70408332
- 6019- 70406019

M-7000™
 MARK V SERIES

- DRIVE BD. #98890850 (3-1-87)
- CONTROL BD. #98890831 (7-17-87)
- A PATCH BD. #98890890 (3-13-87)
- B PATCH BD. #98890840 (3-13-87)
- OUTPUT BD. #98870842 (11-10-87)
- POWER BD. #98890820 (12-3-86)

PEAVEY ELECTRONICS CORP. 711 A ST. MERIDIAN, MS	
DRAWN BY <i>DRH</i>	DATE <i>6-8-88</i>
C.B. CHECK <i>DRH</i>	
CHECK BY <i>EGS</i>	
APPR. BY <i>DeP</i>	

0007-M

M-7000

