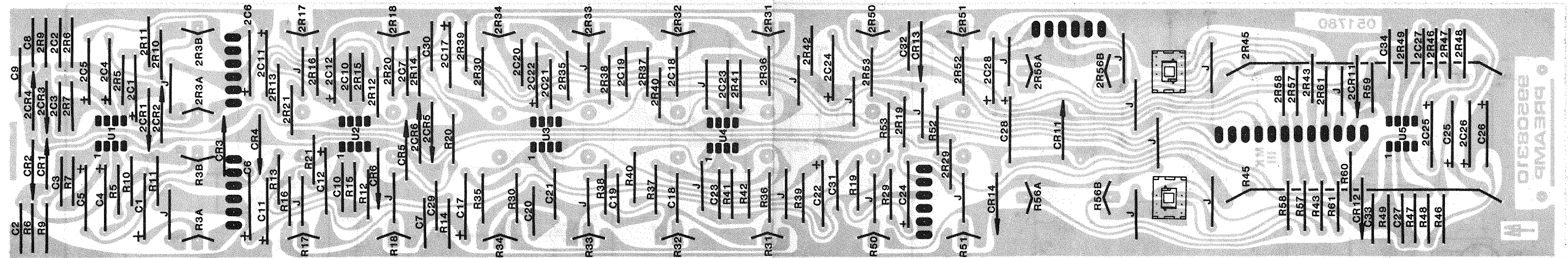
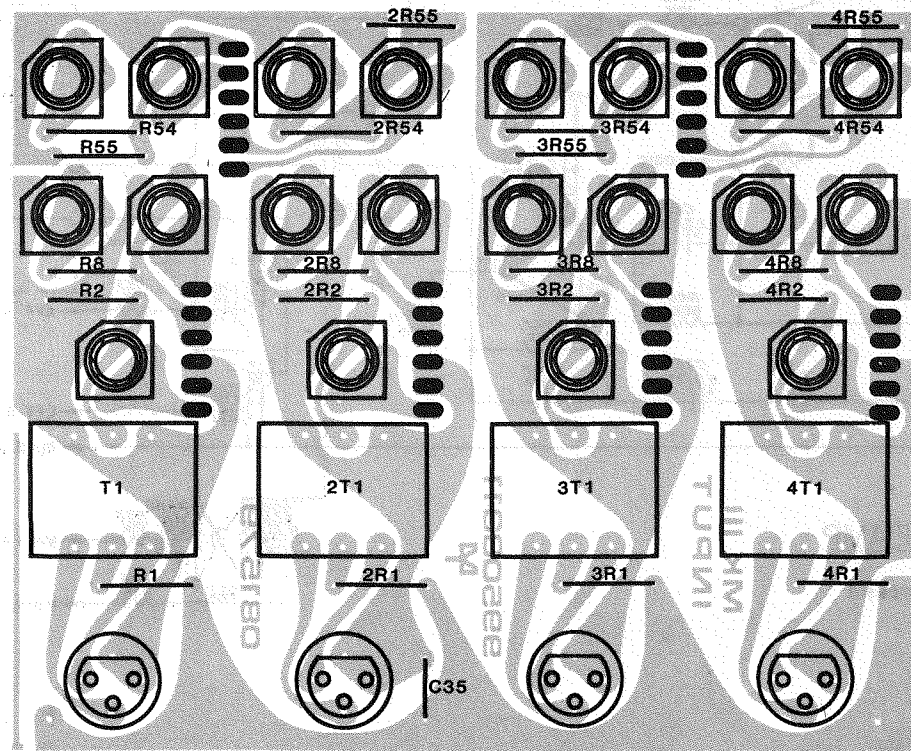


NOTES
 ALL POTS ARE LINEAR UNLESS NOTED
 ALL RESISTORS 1/4W UNLESS NOTED
 ALL RESISTORS IN OHMS UNLESS NOTED
 ALL CAPACITORS IN MFD UNLESS NOTED
 ALL DIODES IN4148 UNLESS NOTED
 LAST REF. DESIGNATOR USED:
 R61 C35 CR14 U7

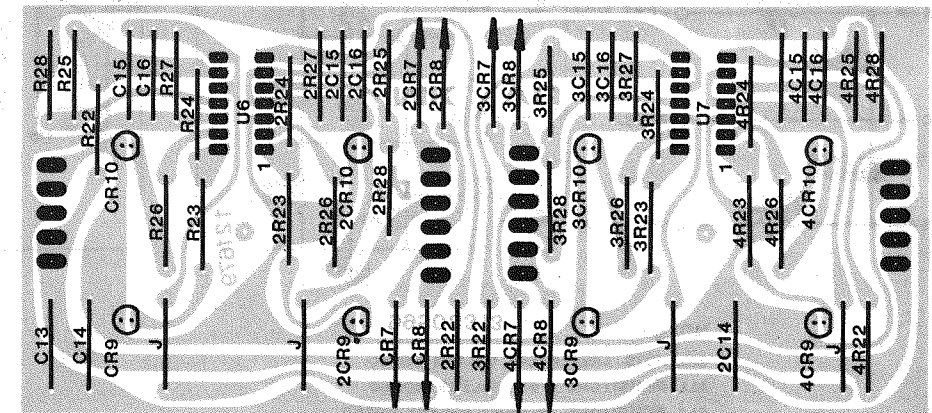
PEAVEY ELECTRONICS CORP. MERIDIAN, MS.	
DRAWN BY <i>KEB</i>	DATE 4-29-80
C.B. BY <i>KEB</i>	
CK. BY <i>KEB</i>	
APPR. BY <i>KEB</i>	



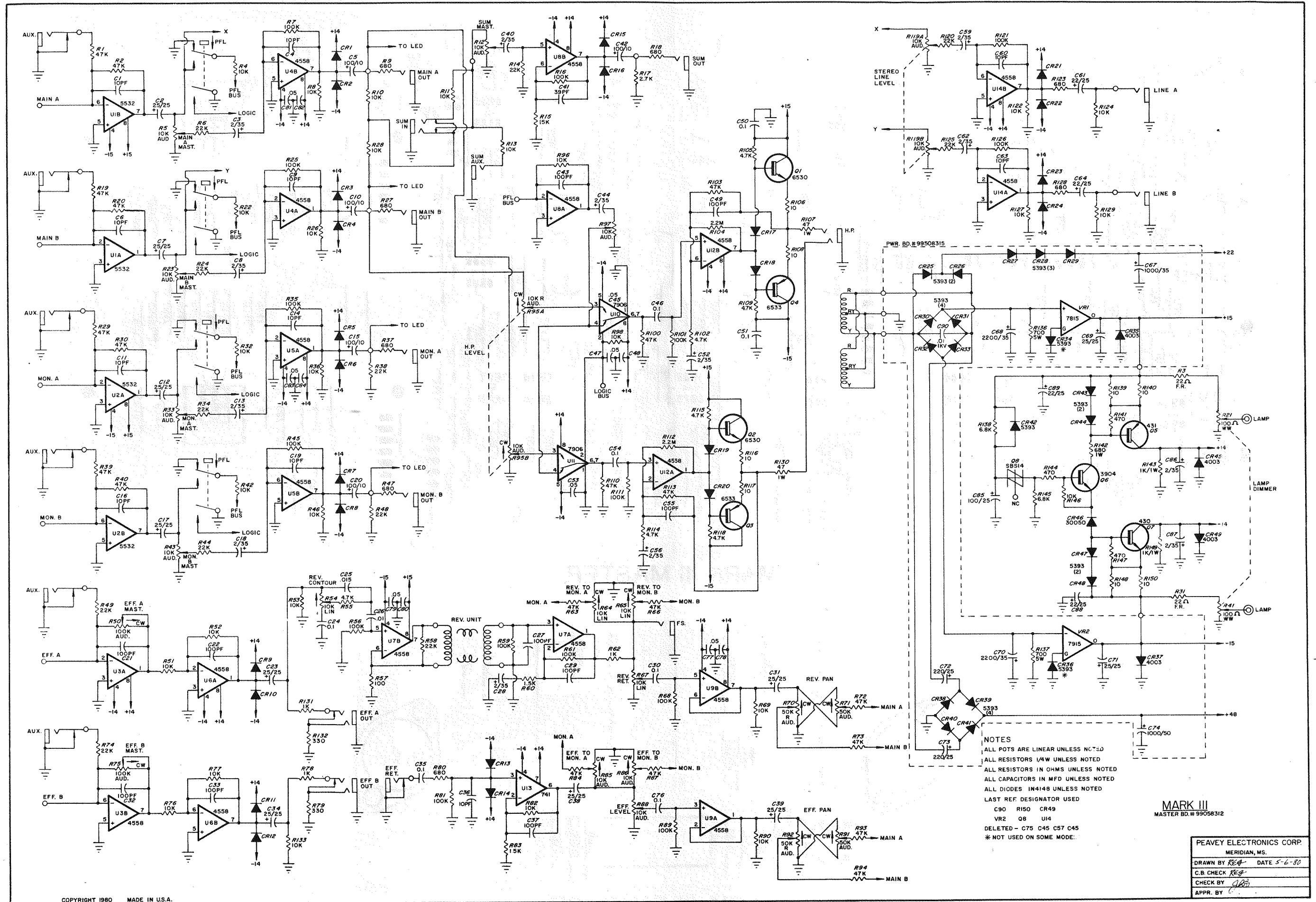
MARK III PREAMP



MARK III INPUT



MARK III VU



NOTES
 ALL POTS ARE LINEAR UNLESS NOTED
 ALL RESISTORS 1/4W UNLESS NOTED
 ALL RESISTORS IN OHMS UNLESS NOTED
 ALL CAPACITORS IN MFD UNLESS NOTED
 ALL DIODES IN4148 UNLESS NOTED
 LAST REF. DESIGNATOR USED
 C90 R150 CR49
 VR2 Q8 U14
 DELETED - C75 C45 C57 C45
 * NOT USED ON SOME MODES

MARK III
 MASTER BD.# 99508312

PEAVEY ELECTRONICS CORP.	
MERIDIAN, MS.	
DRAWN BY <i>REG</i>	DATE 5-6-80
C.B. CHECK <i>REG</i>	
CHECK BY <i>CB</i>	
APPR. BY <i>CB</i>	

