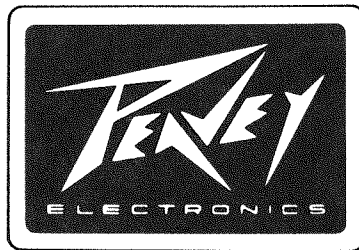
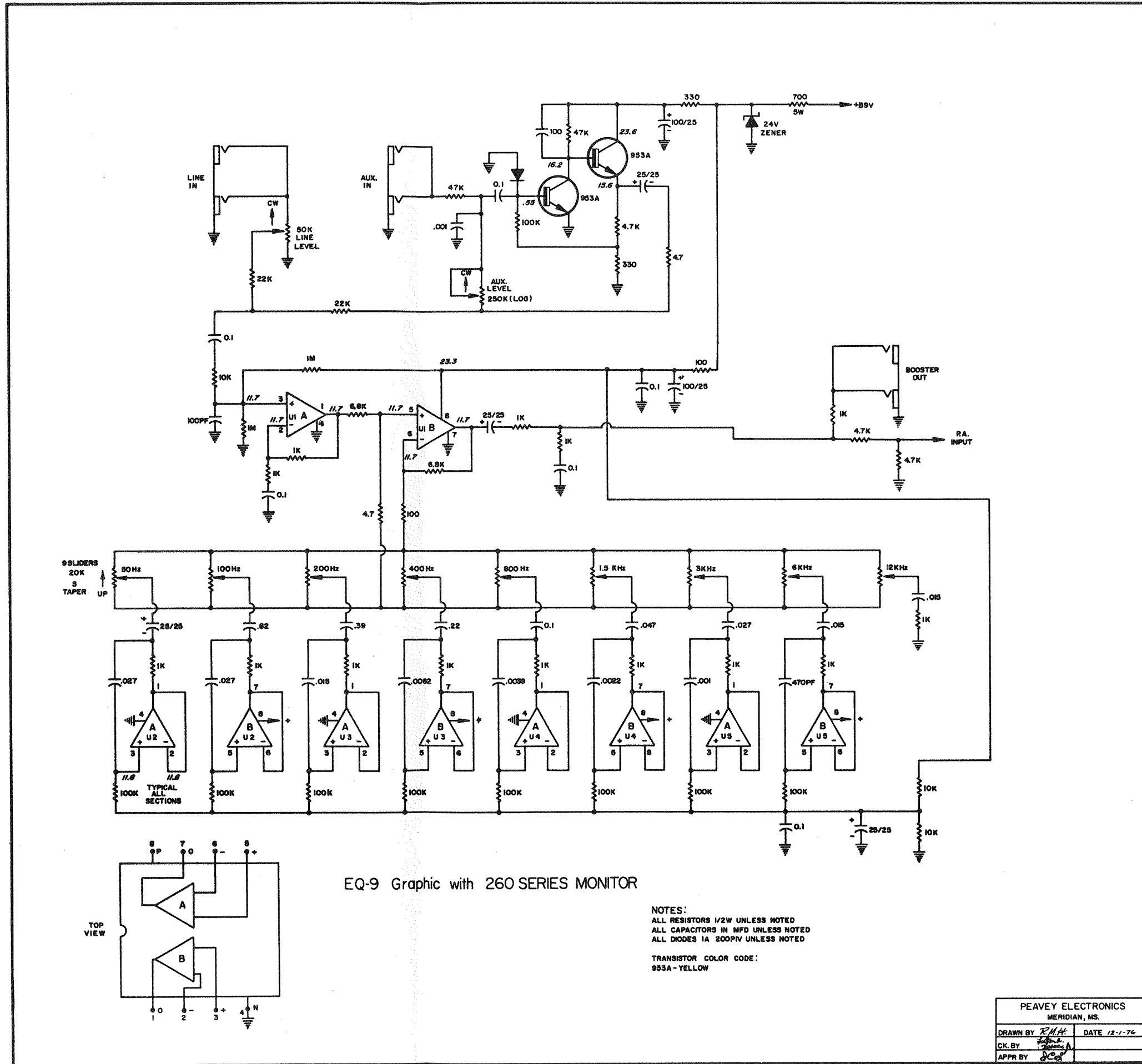
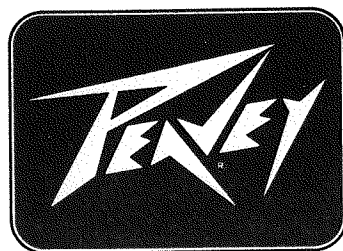


NOTE:
 ALL TRANSISTORS SPS 953 UNLESS NOTED
 ALL RESISTORS 1/2 W UNLESS NOTED
 ALL CAPACITORS IN MFD UNLESS NOTED
 ALL DIODES 1A/200V PIV UNLESS NOTED



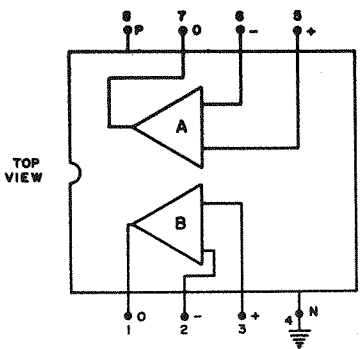
PEAVEY ELECTRONICS CORP. / 711 "A" Street / P. O. Box 2898 / Meridian, Mississippi

MONITOR PREAMP



EQ-9 Graphic with 260 SERIES MONITOR

NOTES:
 ALL RESISTORS 1/2W UNLESS NOTED
 ALL CAPACITORS IN MFD UNLESS NOTED
 ALL DIODES 1A 200PIV UNLESS NOTED
 TRANSISTOR COLOR CODE:
 953A - YELLOW



PEAVEY ELECTRONICS MERIDIAN, MS.	
DRAWN BY <i>R.H.H.</i>	DATE 12-1-76
CK. BY <i>[Signature]</i>	
APPR BY <i>[Signature]</i>	