

## FOOTSWITCH

### SELECTOR BUTTON

The selector button allows the performer to obtain the output from the normal channel OR the effects channel. The selector may be thought of as an "either/or" type of control since it allows a choice of either normal or effects channels. As the name implies, the selector button **selects either channel** desired. It should be noted, however, that the selector button is functional when the instrument is plugged into either the series or the parallel jack.

### COMBINER BUTTON

The **combiner button defeats** the **selector** button and allows both channels to be in the circuit at one time.

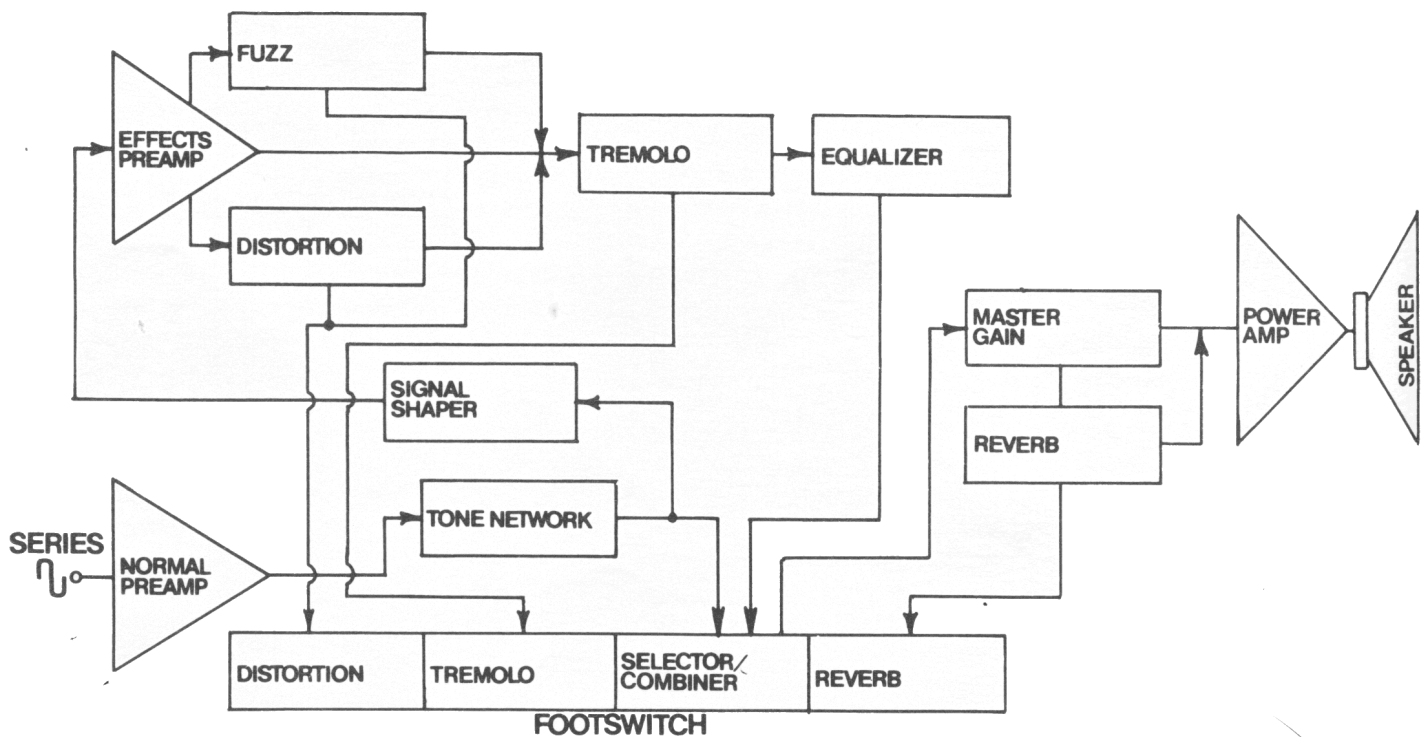
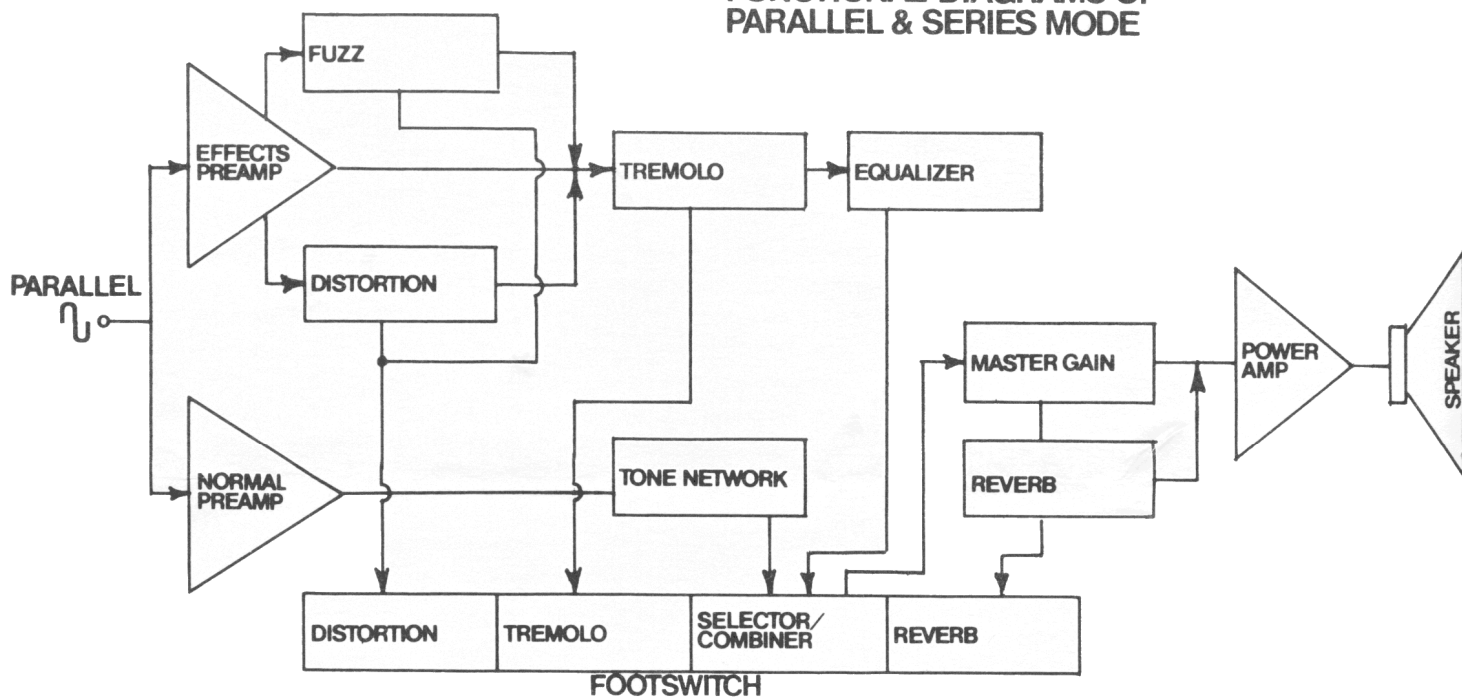
**The selector button becomes inoperative as soon as the combiner button is depressed.**

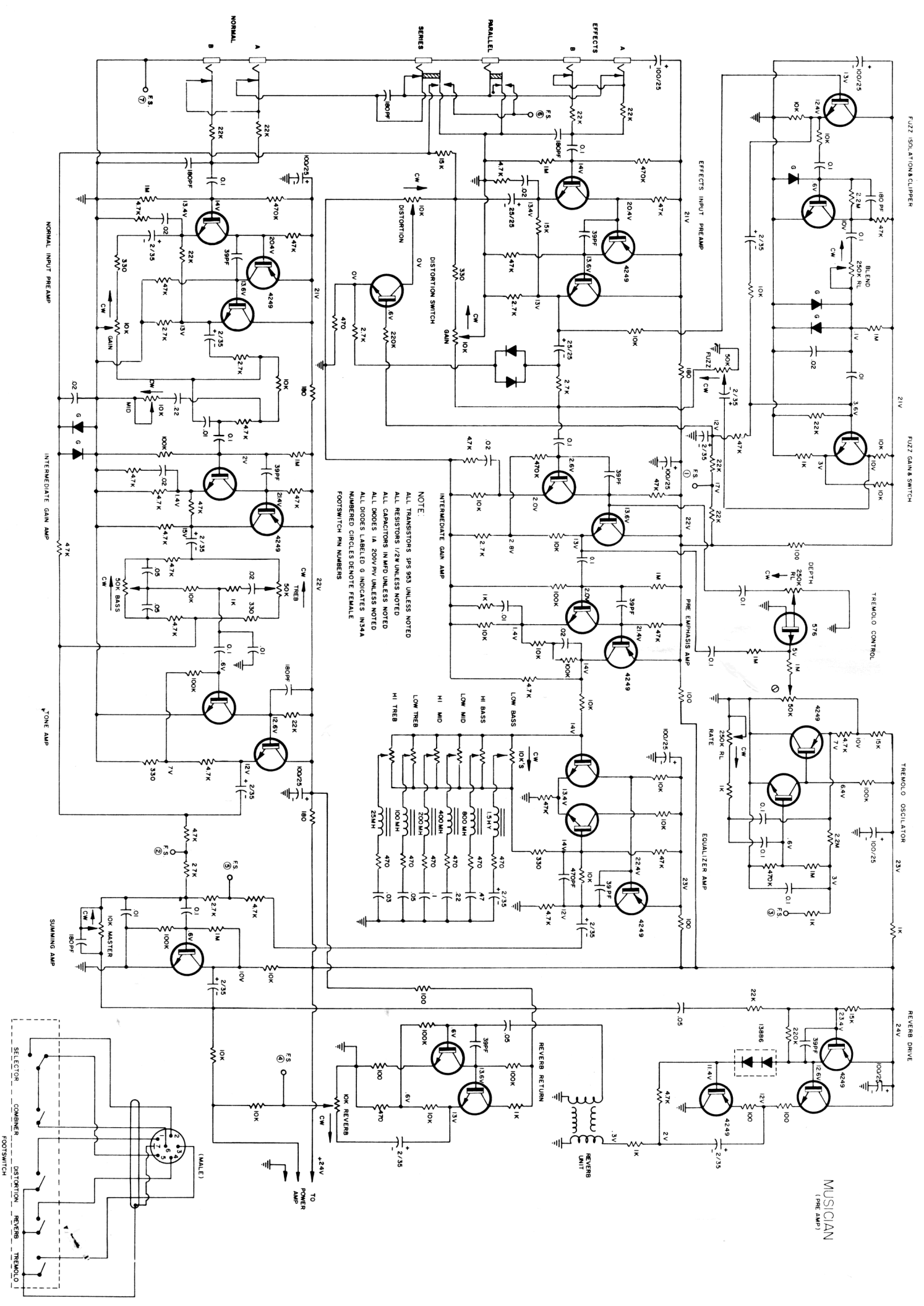
**Distortion/Fuzz Button.** Activates Distortion/Fuzz.

**Reverb Button.** Activates Reverb on both channels.

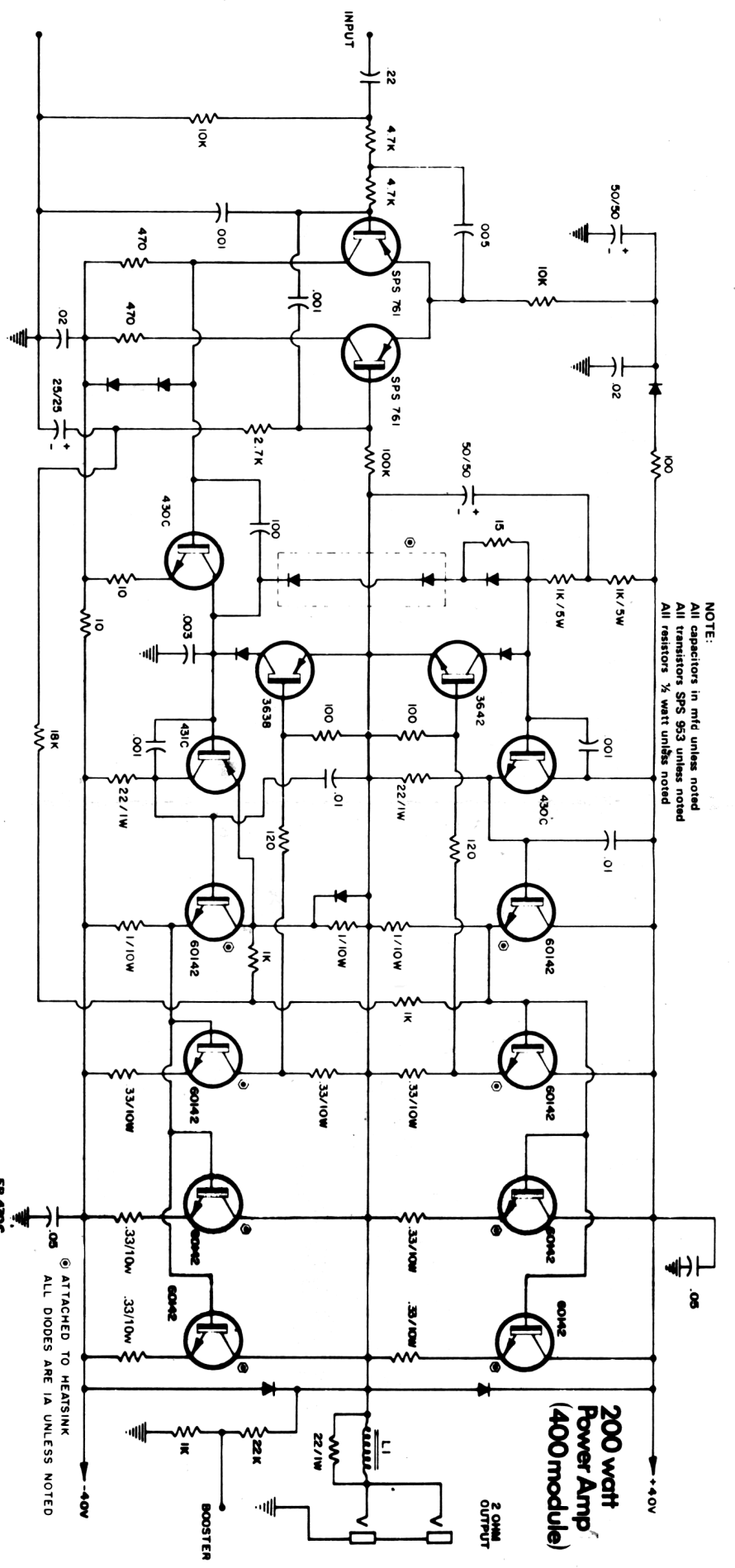
**Tremolo Button.** Activates tremolo.

### FUNCTIONAL DIAGRAMS OF PARALLEL & SERIES MODE



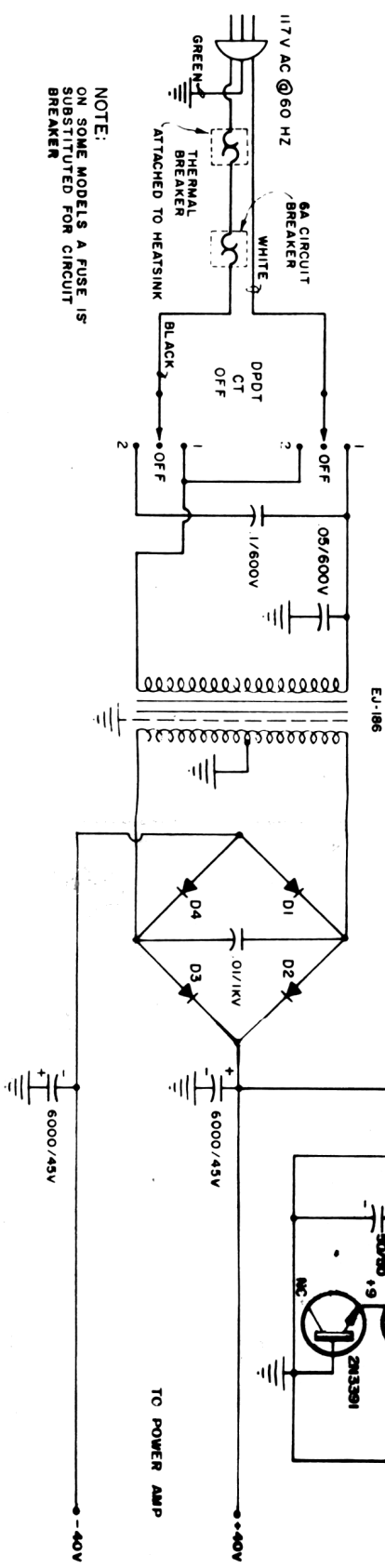


NOTE:  
 ALL TRANSISTORS SPS 953 UNLESS NOTED  
 ALL RESISTORS IN  $\Omega$  UNLESS NOTED  
 ALL CAPACITORS IN  $\mu$ D UNLESS NOTED  
 ALL DIODES 1A 200V PIV UNLESS NOTED  
 ALL DIODES LABELED G INDICATES IN 344  
 NUMBERED CIRCLES DENOTE FEMALE  
 FOOTSWITCH PIN NUMBERS



NOTE:  
All capacitors in mfd unless noted  
All transistors SPS 761 unless noted  
All resistors 1/2 watt unless noted

### Power Supply



NOTE:  
ON SOME MODELS A FUSE IS  
SUBSTITUTED FOR CIRCUIT  
BREAKER

Ⓢ ALL DIODES TO HEATSINK

Ⓢ ALL DIODES TO HEATSINK